



US00D872162S

(12) **United States Design Patent**
Gao

(10) **Patent No.:** **US D872,162 S**
(45) **Date of Patent:** **** Jan. 7, 2020**

(54) **SPORTS CAMERA**

(71) Applicant: **Shenzhen Cencom Technology Co., Ltd.**, Shenzhen, Guangdong (CN)

(72) Inventor: **Jianmin Gao**, Guangdong (CN)

(73) Assignee: **Shenzhen Cencom Technology Co., Ltd.**, Shenzhen (CN)

(**) Term: **15 Years**

(21) Appl. No.: **29/636,538**

(22) Filed: **Feb. 8, 2018**

(30) **Foreign Application Priority Data**

Jan. 2, 2018 (CN) 2018 3 0000566

(51) **LOC (12) Cl.** **16-01**

(52) **U.S. Cl.**
USPC **D16/218**

(58) **Field of Classification Search**

USPC D16/200, 202–210, 212, 218, 219;
348/373–376; 396/448, 535, 539–541

CPC G03B 15/03; G03B 17/02; G03B 17/04;
G03B 17/56; G03B 19/04; H04N 5/2251;
H04N 5/2252; H04N 5/2253; H04N
5/2254; H04N 2101/00

See application file for complete search history.

(56) **References Cited**

U.S. PATENT DOCUMENTS

6,788,887 B2 * 9/2004 Takeshita G03B 17/06
396/286
D533,574 S * 12/2006 Hamamura D16/202

D548,256 S * 8/2007 Hase D16/202
7,768,727 B2 * 8/2010 Iida G02B 7/102
359/819
7,801,439 B2 * 9/2010 Nagata G03B 17/12
396/301
D721,395 S * 1/2015 Woodman D16/218
D737,879 S * 9/2015 Woodman D16/218
D772,966 S * 11/2016 Song D16/200
D777,232 S * 1/2017 Lillquist D16/202
D789,435 S * 6/2017 Nguyen D16/202
D790,002 S * 6/2017 Nguyen D16/218
D793,463 S * 8/2017 Houin D16/202
D800,202 S * 10/2017 Hu D16/218

* cited by examiner

Primary Examiner — Ramzi S Almatrahi

(57) **CLAIM**

The ornamental design for a sports camera, as shown and described.

DESCRIPTION

FIG. 1 is a front elevational view of a sports camera showing my new design;

FIG. 2 is a rear elevational view thereof;

FIG. 3 is a left side view thereof;

FIG. 4 is a right side view thereof;

FIG. 5 is a bottom plan view thereof;

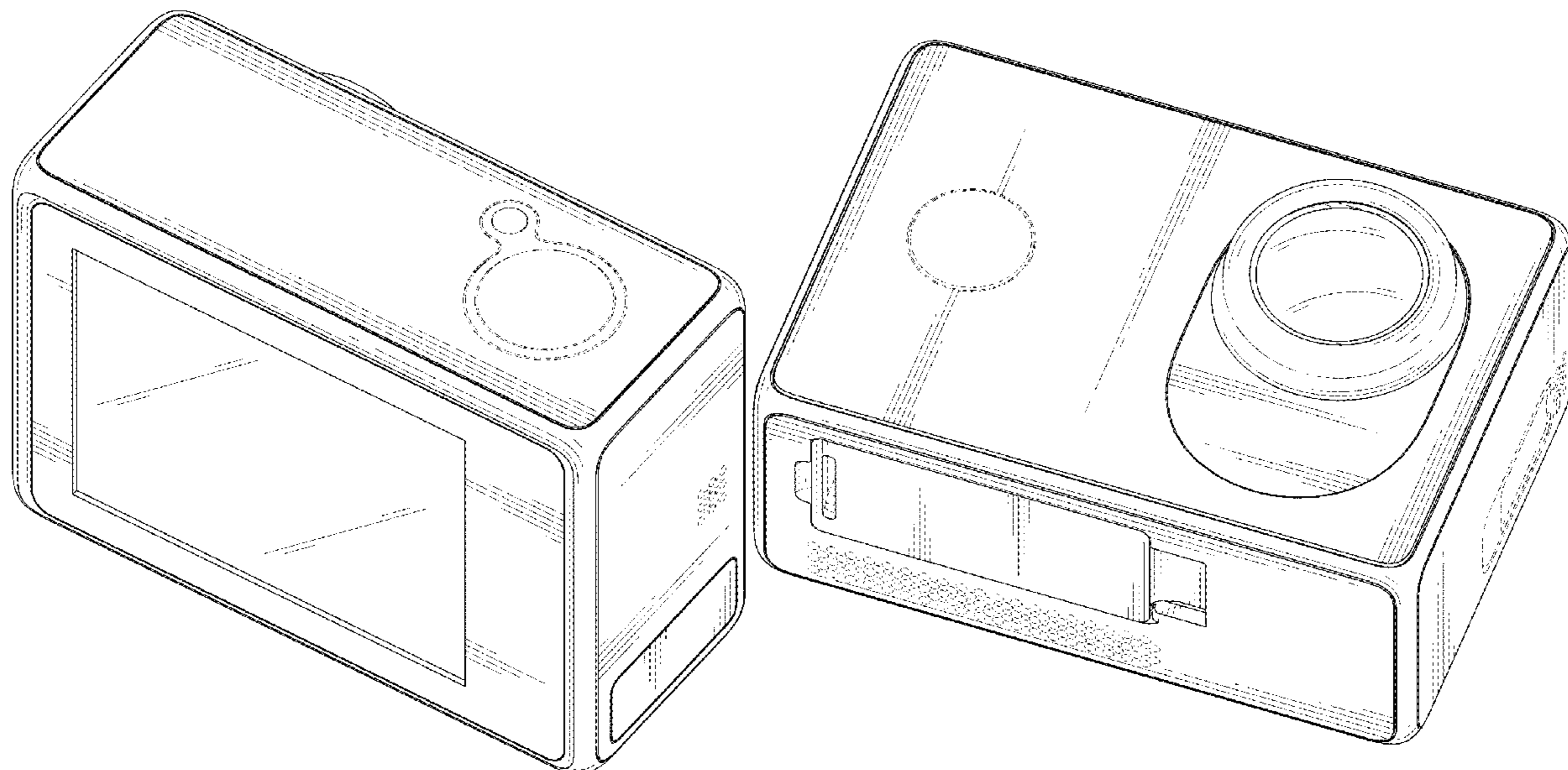
FIG. 6 is a top plan view thereof;

FIG. 7 is a top, front and right side perspective view thereof; and,

FIG. 8 is a bottom, rear and left side perspective view thereof.

The broken lines depict portions of the sports camera in which the design is embodied that form no part of the claimed design.

1 Claim, 8 Drawing Sheets



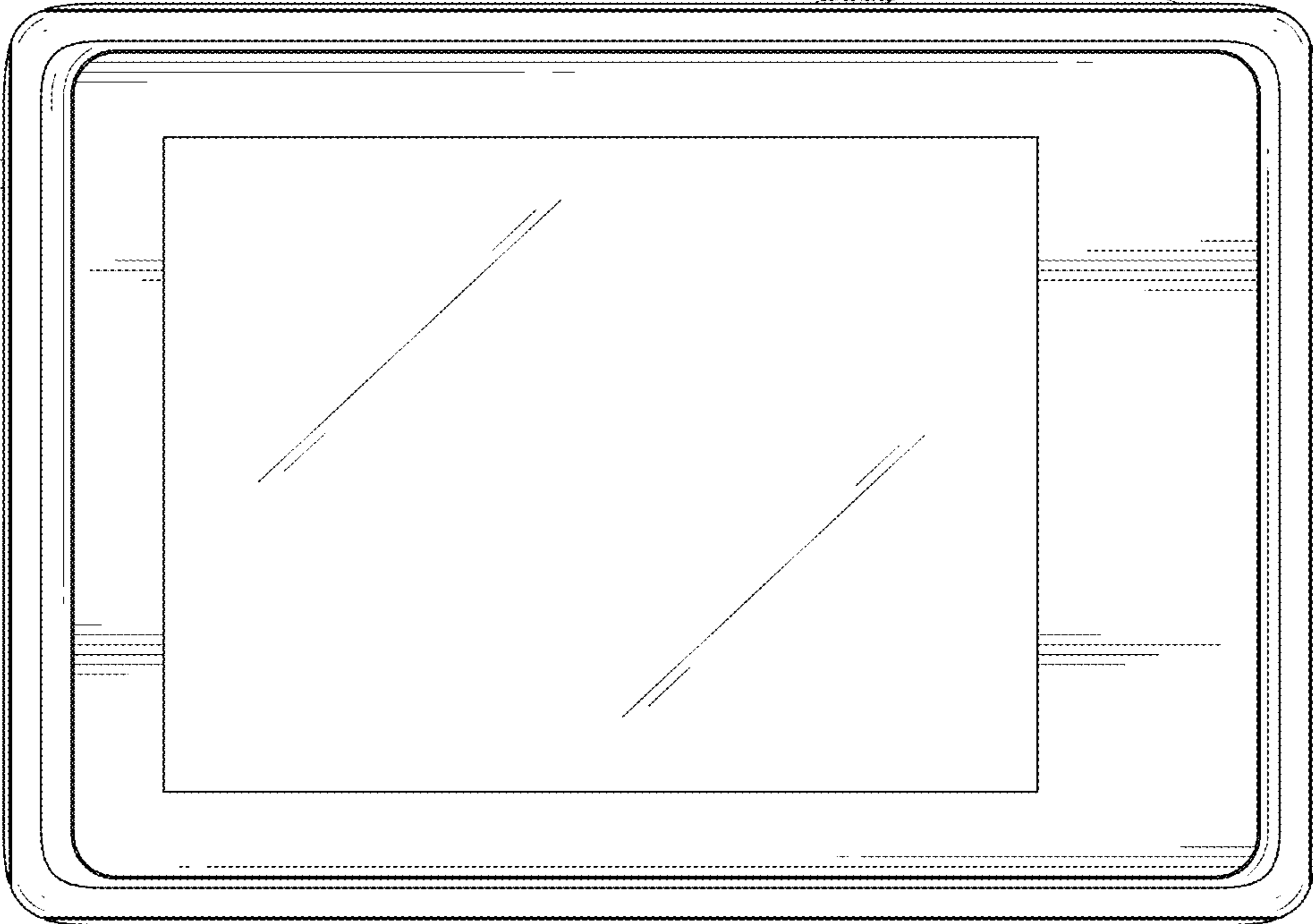


FIG. 1

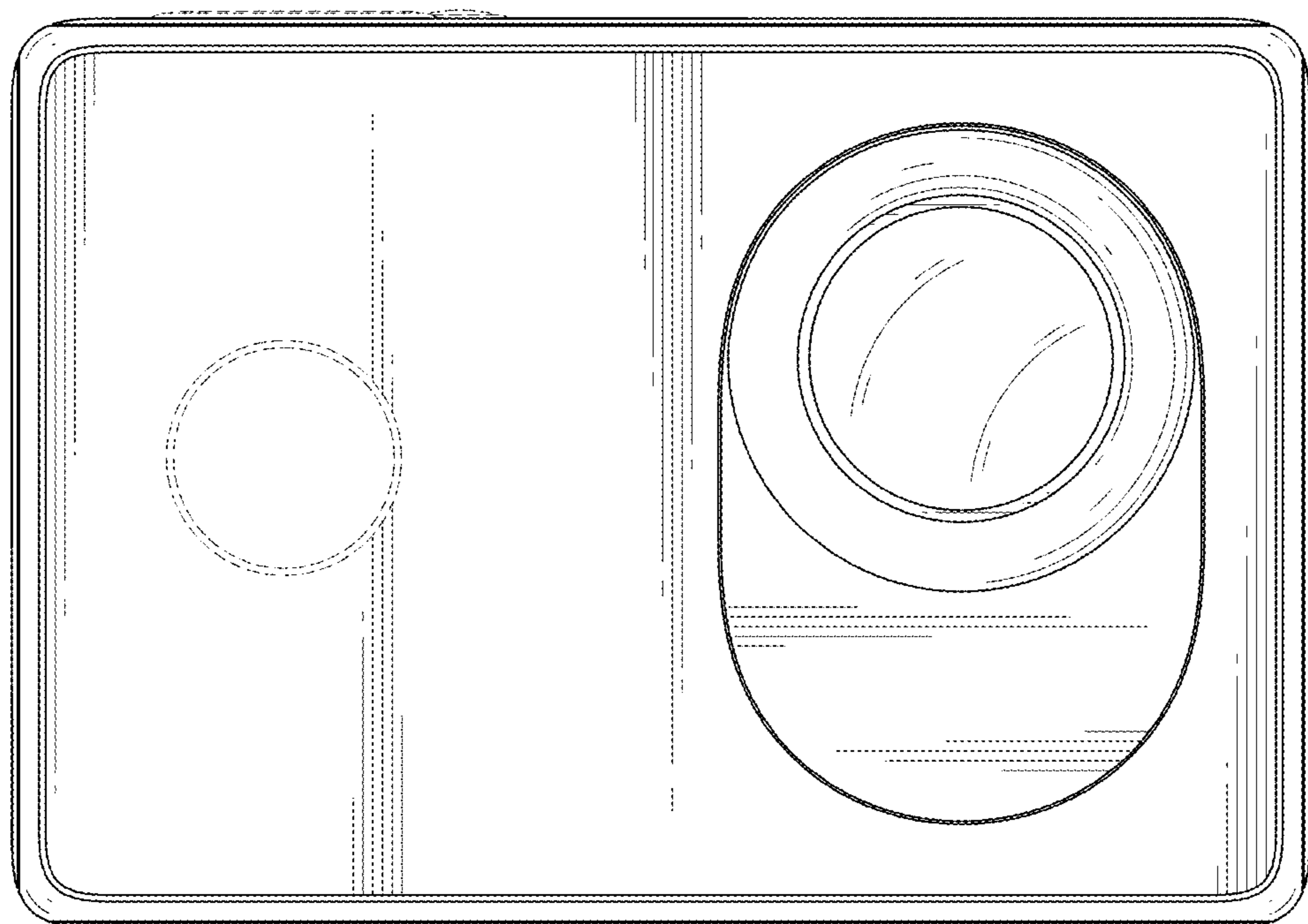


FIG. 2

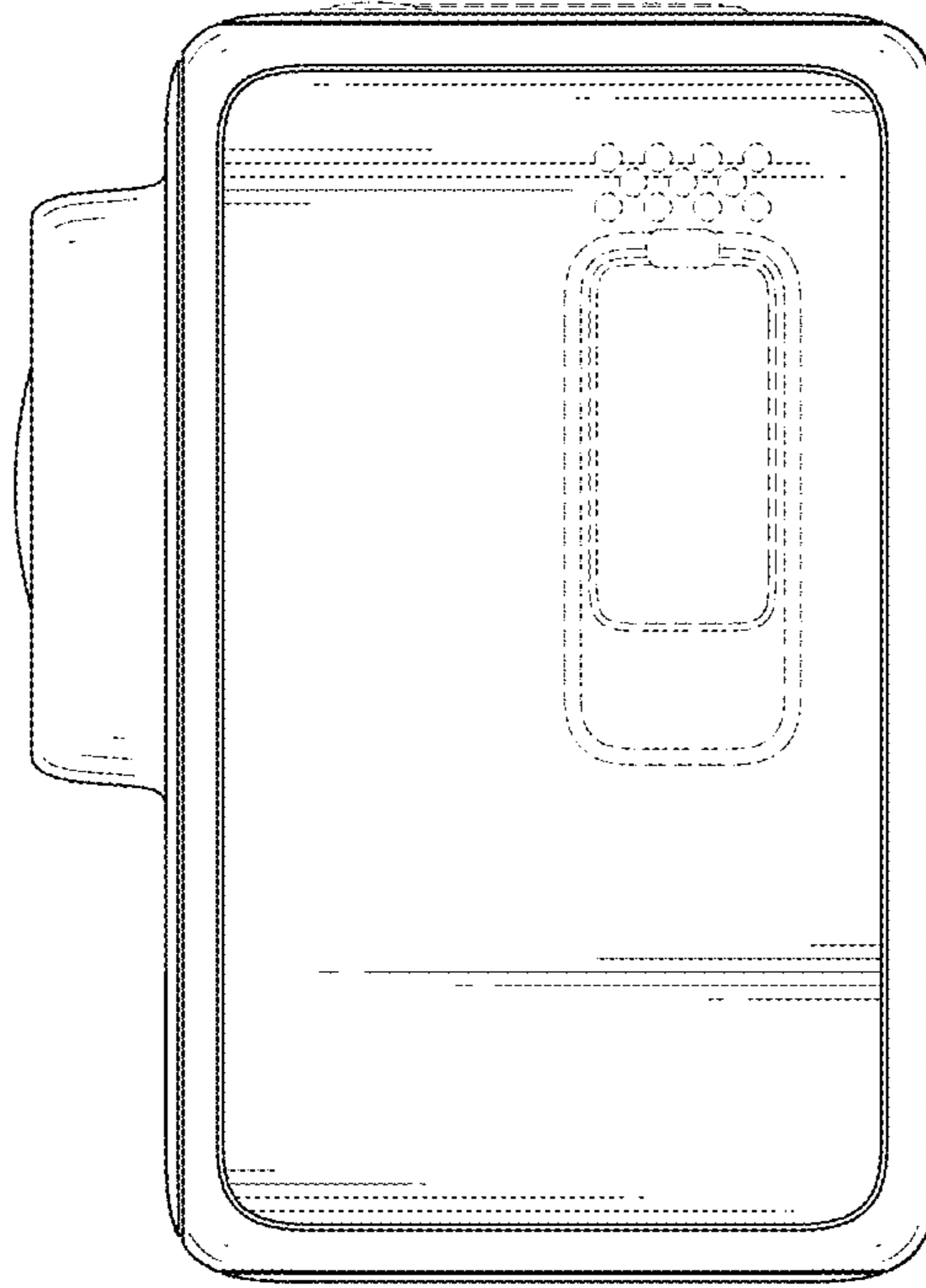


FIG. 3

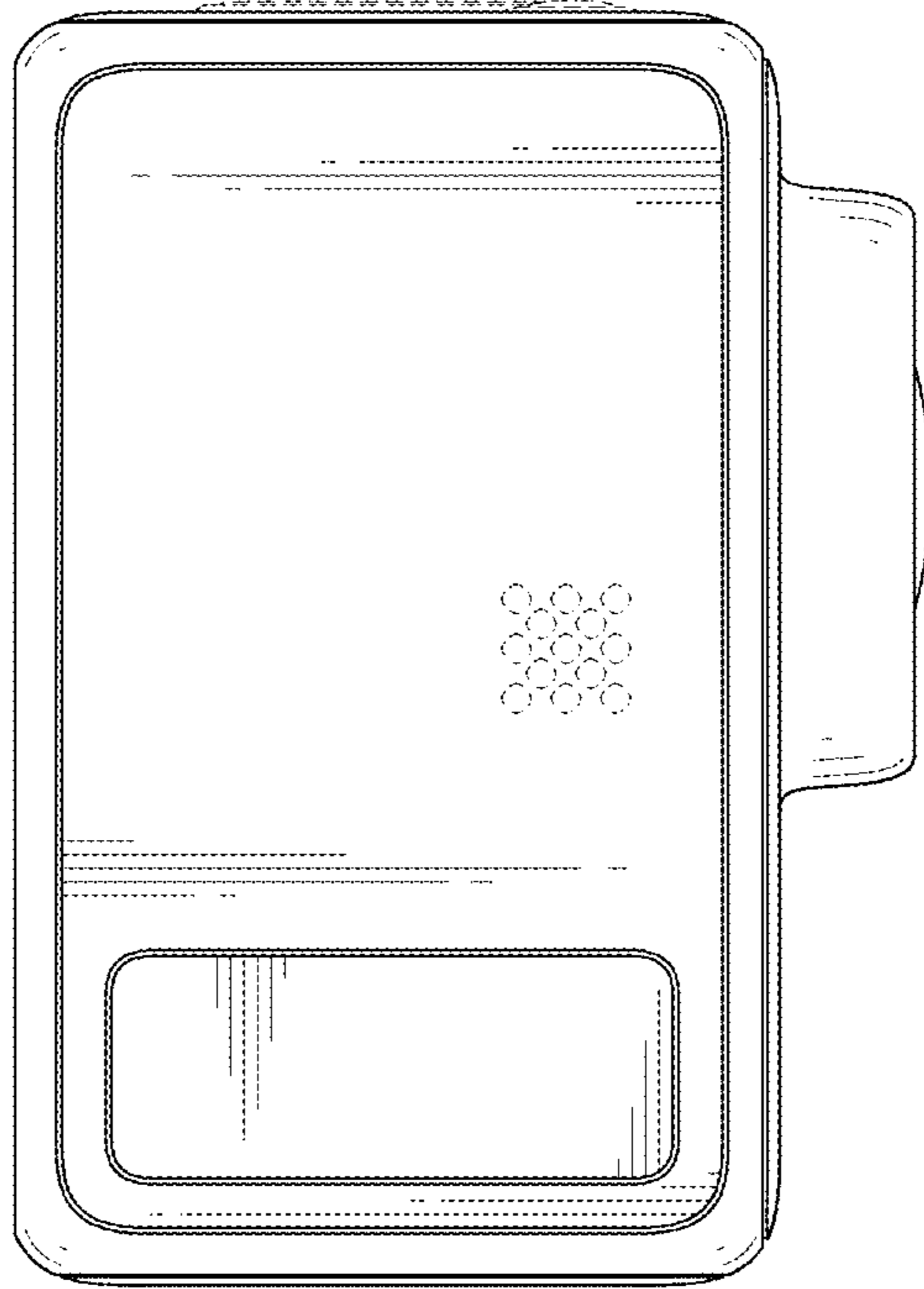


FIG. 4

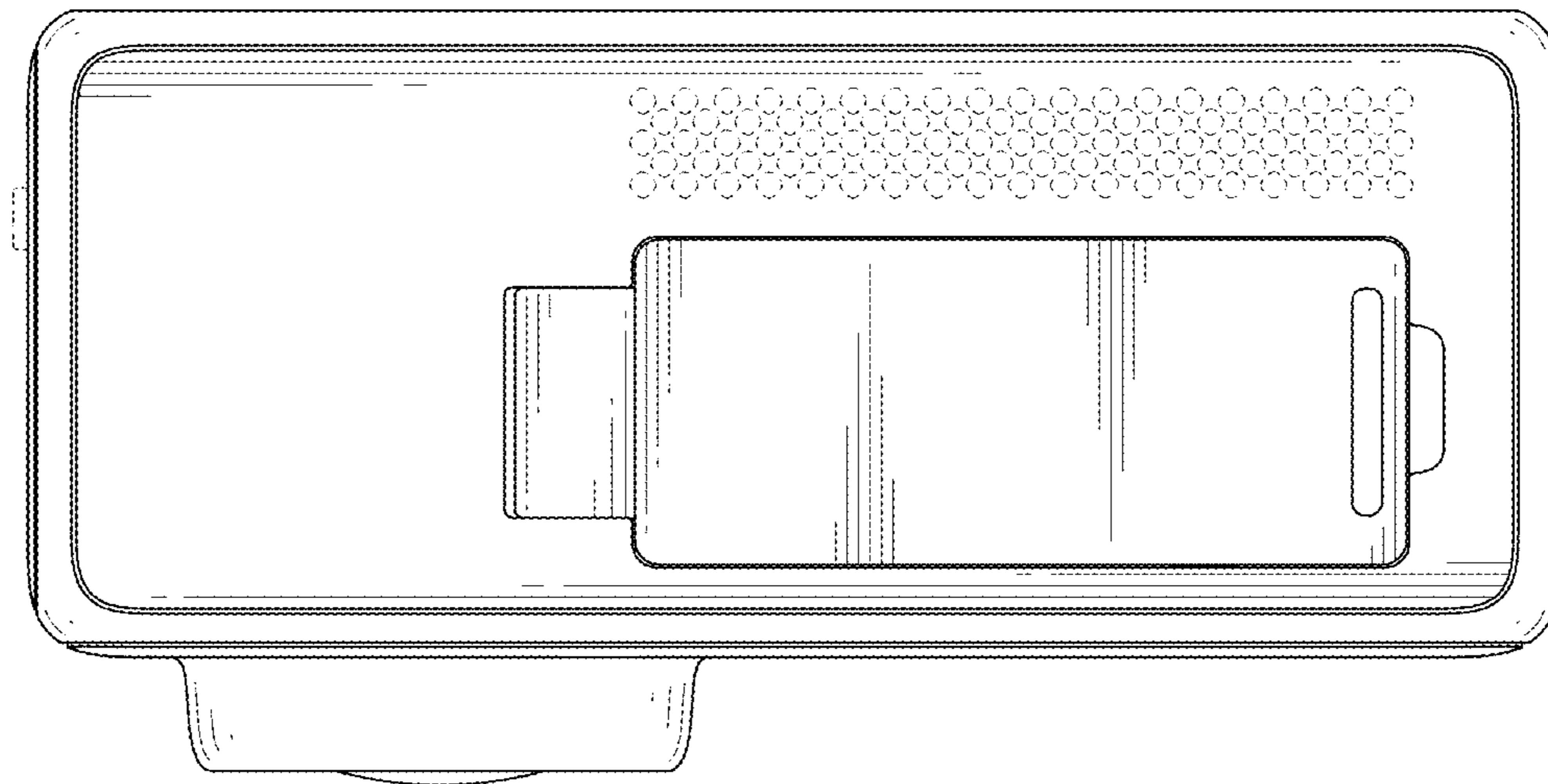


FIG. 5

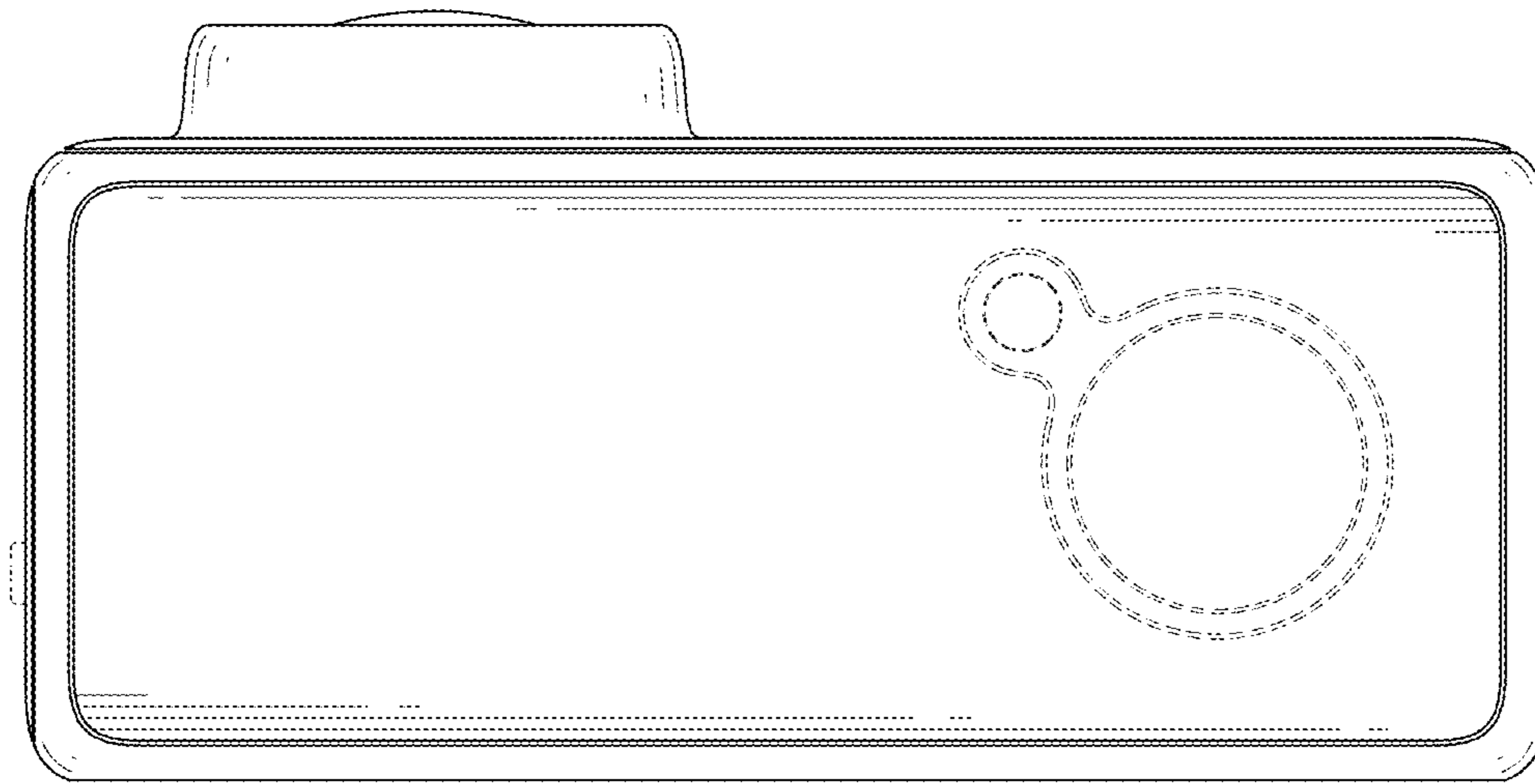


FIG. 6

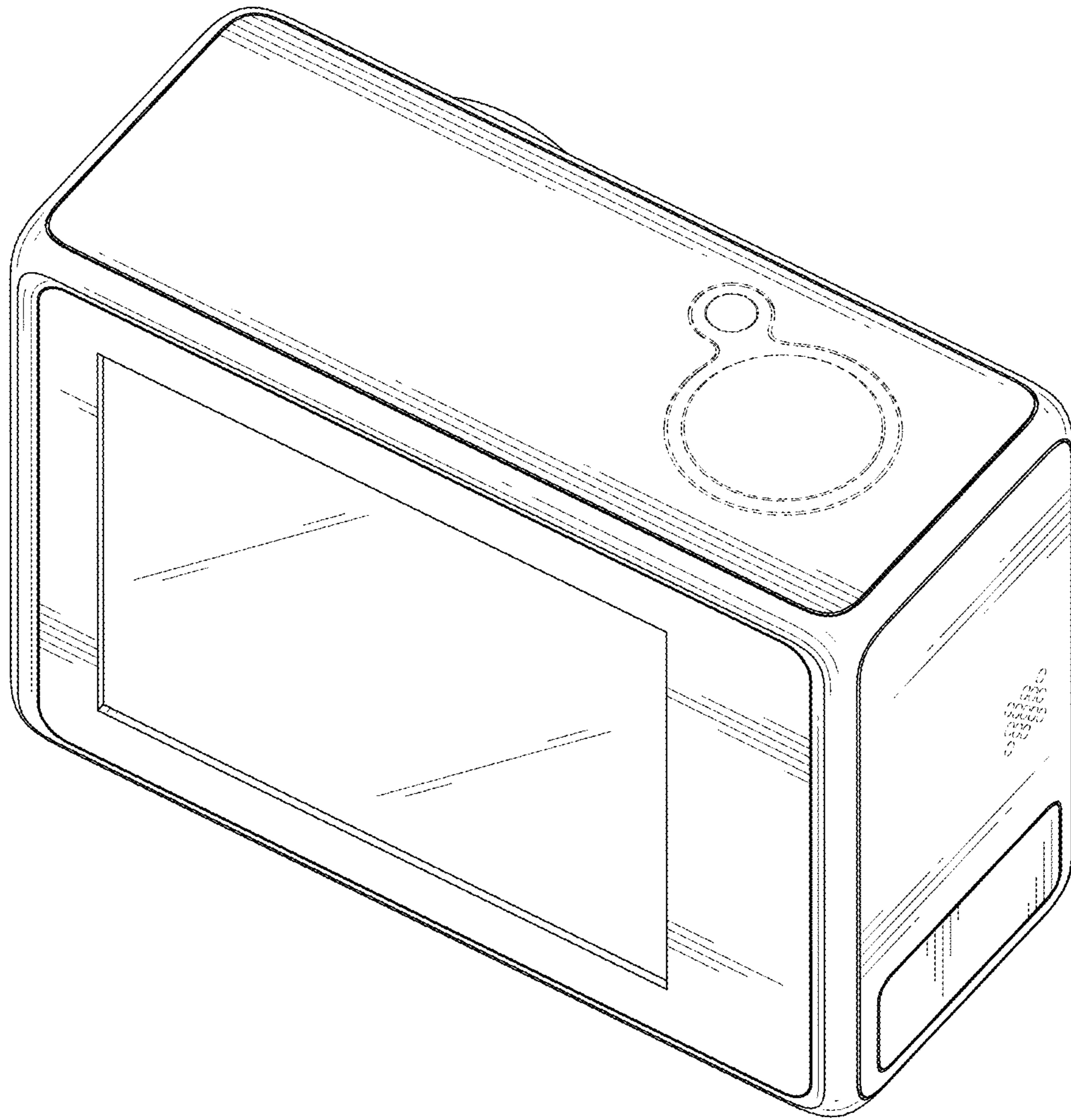


FIG. 7

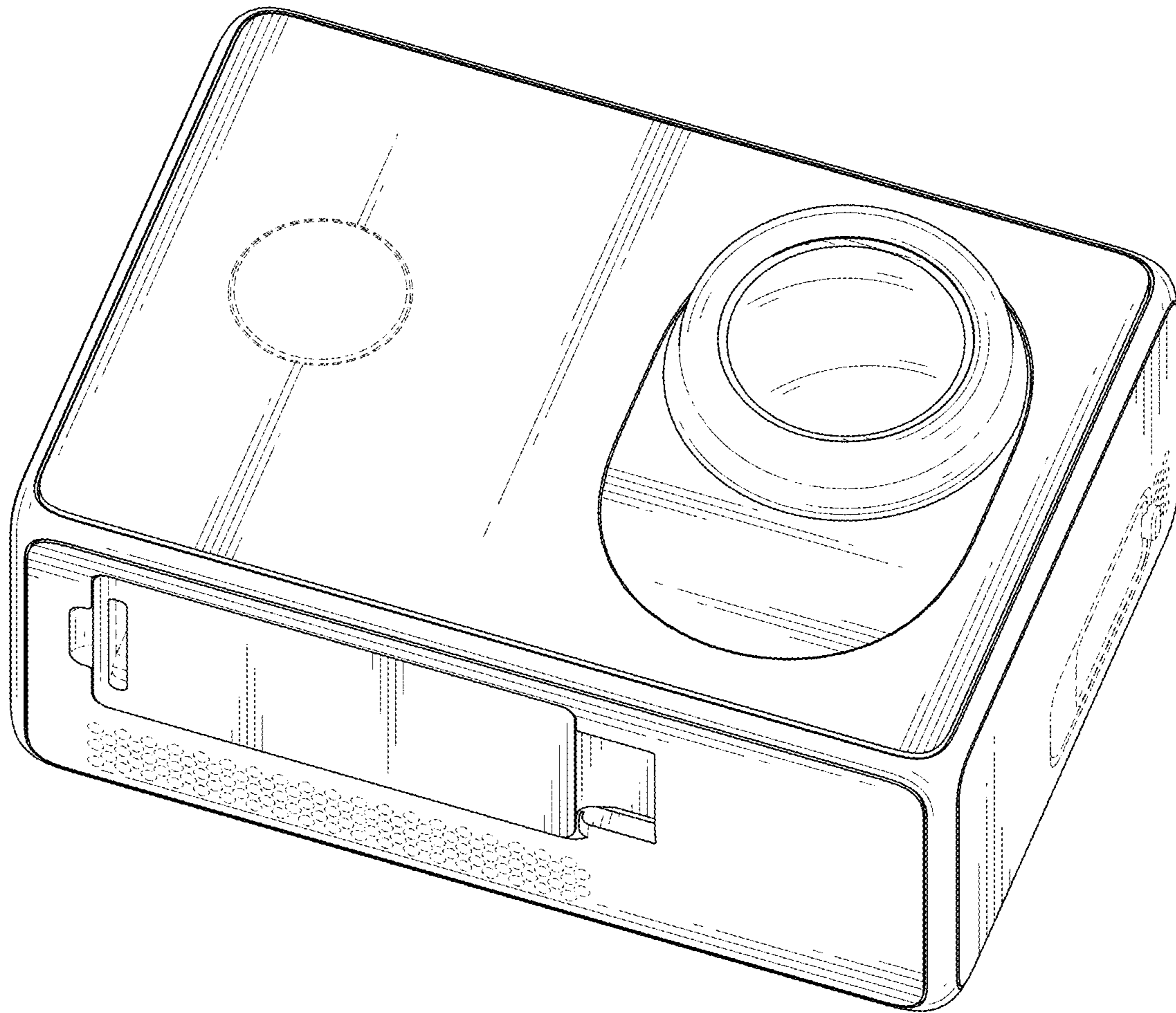


FIG. 8