



US00D872161S

(12) **United States Design Patent**
Pera et al.

(10) **Patent No.:** **US D872,161 S**
(45) **Date of Patent:** **** Jan. 7, 2020**

(54) **WEARABLE VIDEO CAMERA MEDALLION WITH CIRCULAR DISPLAY**

D752,674 S * 3/2016 Katori D16/203
D758,470 S * 6/2016 Kircher D16/215
D761,340 S * 7/2016 Pacurariu D16/202

(Continued)

(71) Applicant: **Ubiquiti Inc.**, New York, NY (US)

Primary Examiner — Ramzi S Almatrahi

(72) Inventors: **Robert J. Pera**, San Jose, CA (US);
Tsung Hwa Yang, Taipei (TW)

(74) *Attorney, Agent, or Firm* — Shay Glenn LLP

(73) Assignee: **Ubiquiti Inc.**, New York, NY (US)

(57) **CLAIM**

The ornamental design for a wearable video camera medallion with a circular display, as shown and described.

(**) Term: **15 Years**

DESCRIPTION

(21) Appl. No.: **29/610,197**

FIG. 1 is a front view of a wearable video camera medallion with a circular display.

(22) Filed: **Jul. 10, 2017**

FIG. 2 is a back view of the wearable video camera medallion with a circular display of FIG. 1.

(51) **LOC (12) Cl.** **16-01**

FIG. 3 is a right side view of the wearable video camera medallion with a circular display of FIG. 1.

(52) **U.S. Cl.**

FIG. 4 is a left side view of the wearable video camera medallion with a circular display of FIG. 1.

USPC **D16/218**

FIG. 5 is a bottom view of the wearable video camera medallion with a circular display of FIG. 1.

(58) **Field of Classification Search**

FIG. 6 is a top view of the wearable video camera medallion with a circular display of FIG. 1.

USPC D16/200, 202–205, 208, 214–216, 218,
D16/219; D25/16; 52/27.5, 29, 36.1;
348/373–376; 396/2, 3, 5, 419, 424, 427,
396/429, 535, 539–541; 455/575.3

FIG. 7 is a front and right side perspective view of the wearable video camera medallion with a circular display of FIG. 1.

CPC G03B 15/00; G03B 15/03; G03B 15/06;
G03B 17/02; G03B 17/04; G03B 17/53;
G03B 17/56; G03B 19/04; H04N 5/2251;
H04N 5/2252; H04N 5/2253; H04N
5/2254; H04N 2101/00

See application file for complete search history.

FIG. 8 is a back and left side perspective view of the wearable video camera medallion with a circular display of FIG. 1.

(56) **References Cited**

FIG. 9 is a front and left side perspective view of a wearable video camera medallion with a circular display of FIG. 1; and,

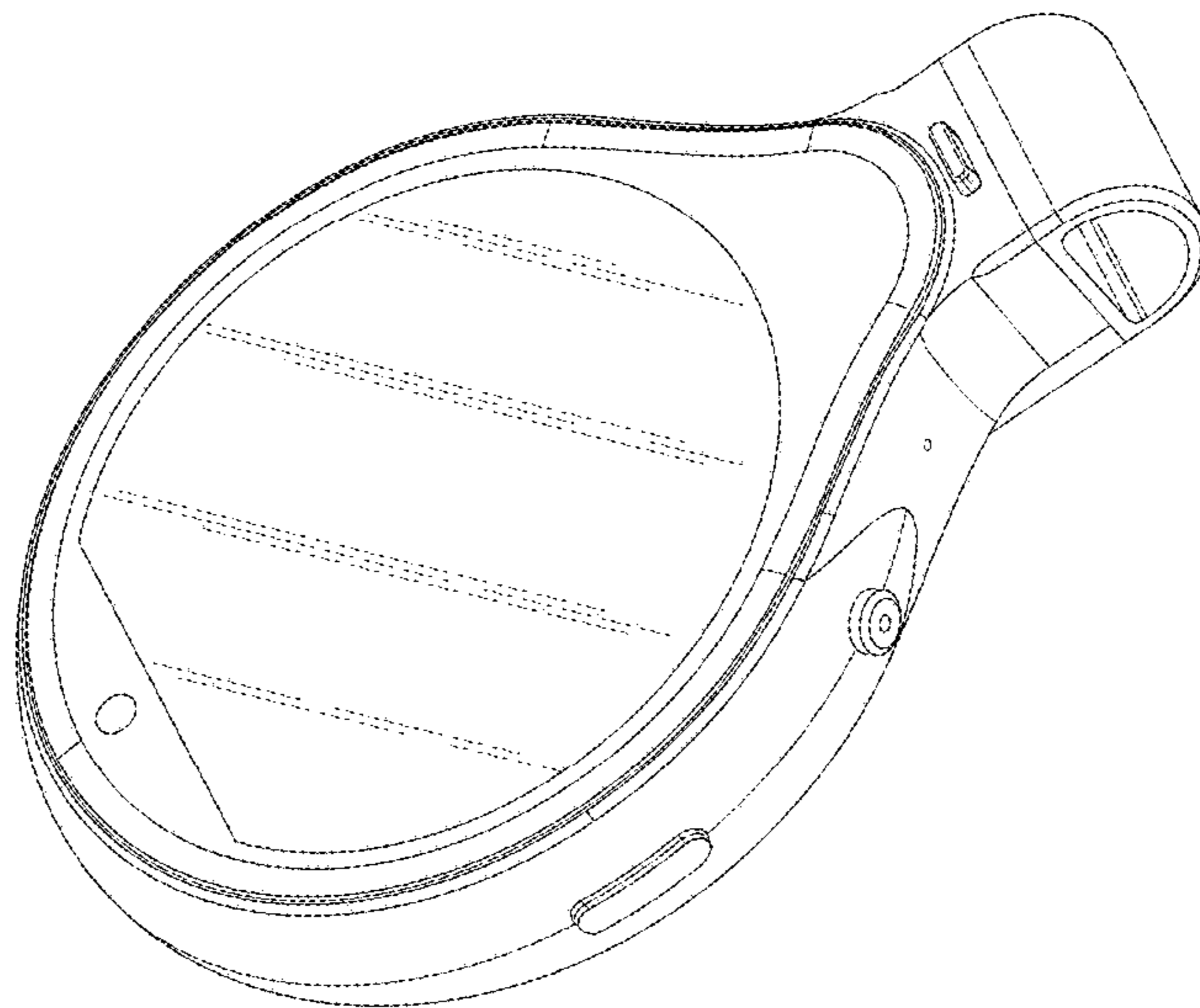
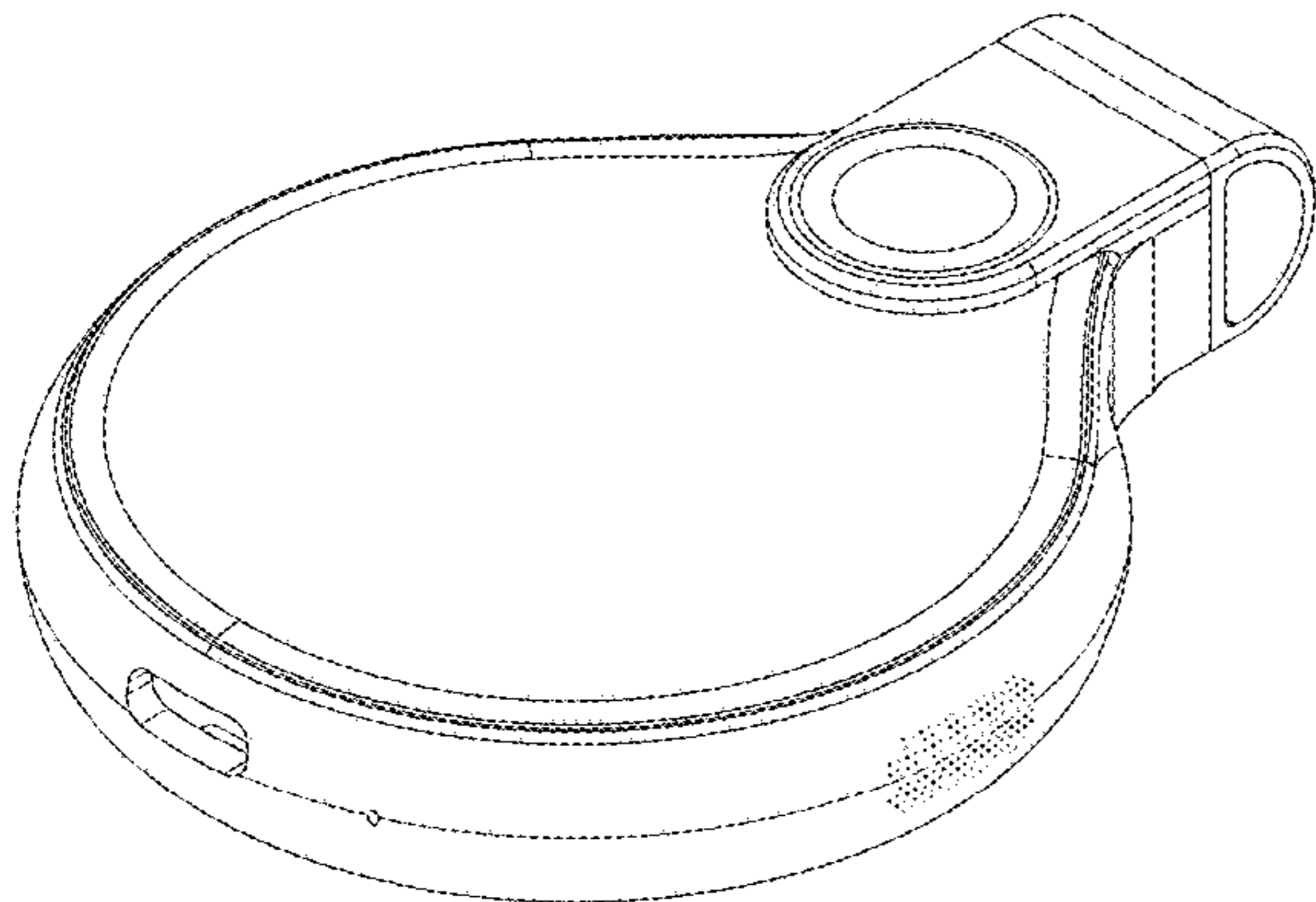
U.S. PATENT DOCUMENTS

FIG. 10 is an exploded front and left side perspective view of the wearable video camera medallion with a circular display of FIG. 1.

D422,521 S * 4/2000 Morrow D10/106.5
D679,309 S * 4/2013 Park D16/218
D729,859 S * 5/2015 Shin D16/203
D740,871 S * 10/2015 Moon D16/203
D742,954 S * 11/2015 Simonelli D16/203
D743,465 S * 11/2015 Aglassinger D16/203
D748,178 S * 1/2016 Scalisi D10/118.2
D748,709 S * 2/2016 Jeong D16/202

The broken lines depict portions of the wearable video camera medallion with a circular display in which the design is embodied that form no part of the claimed design.

1 Claim, 6 Drawing Sheets



(56)

References Cited

U.S. PATENT DOCUMENTS

D776,180 S * 1/2017 Fiedler D16/202
D803,922 S * 11/2017 Chang D16/203

* cited by examiner

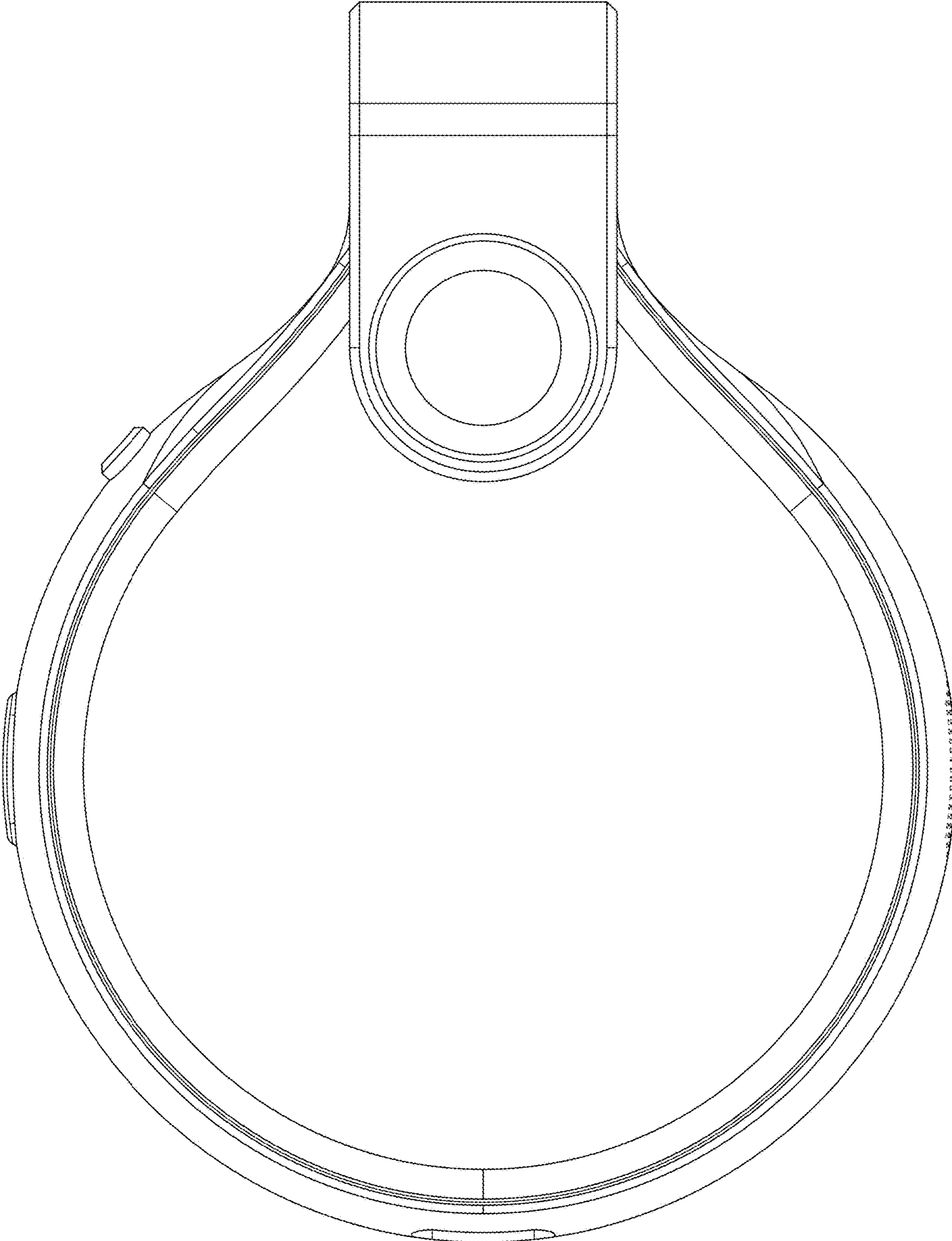


FIG. 1

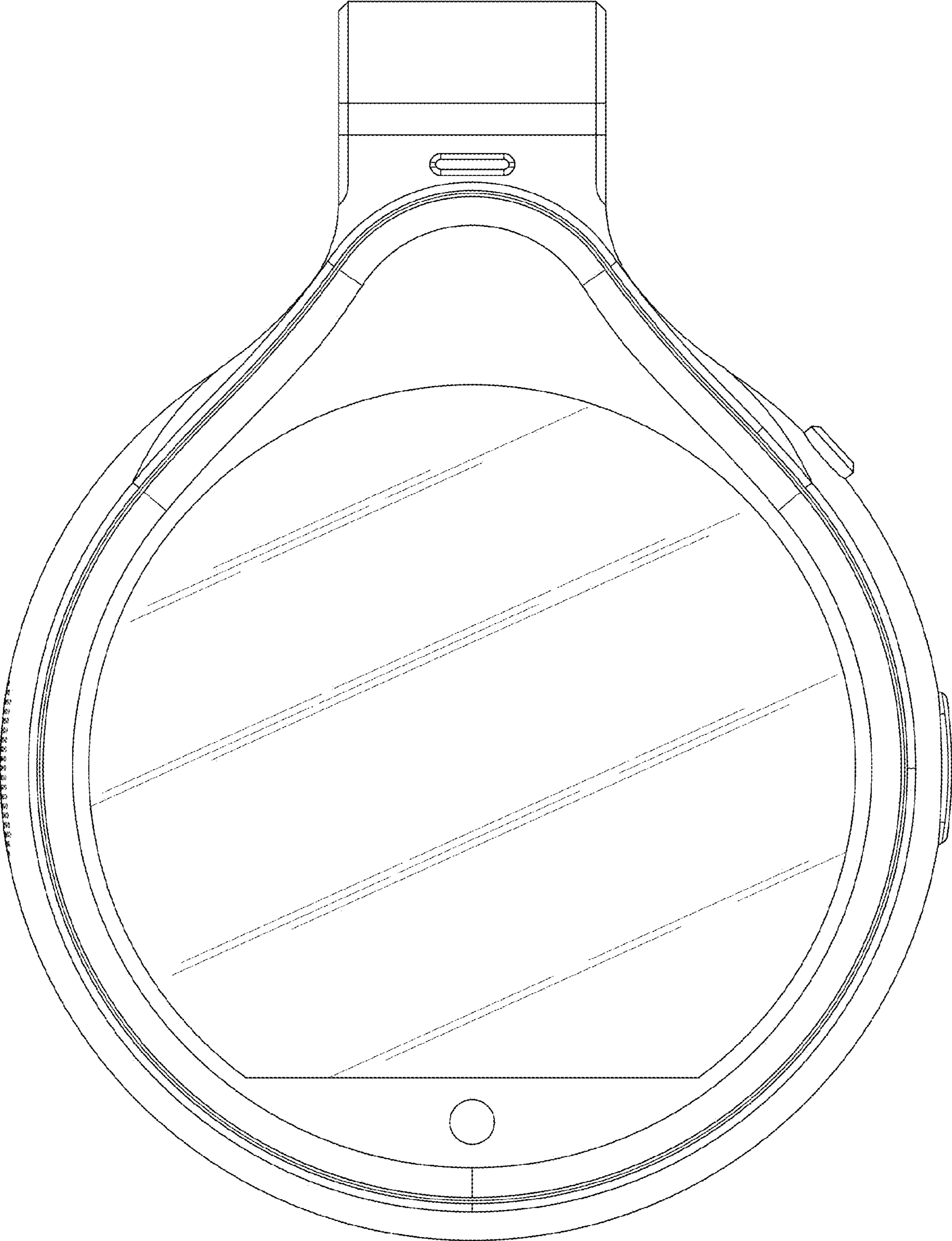


FIG. 2

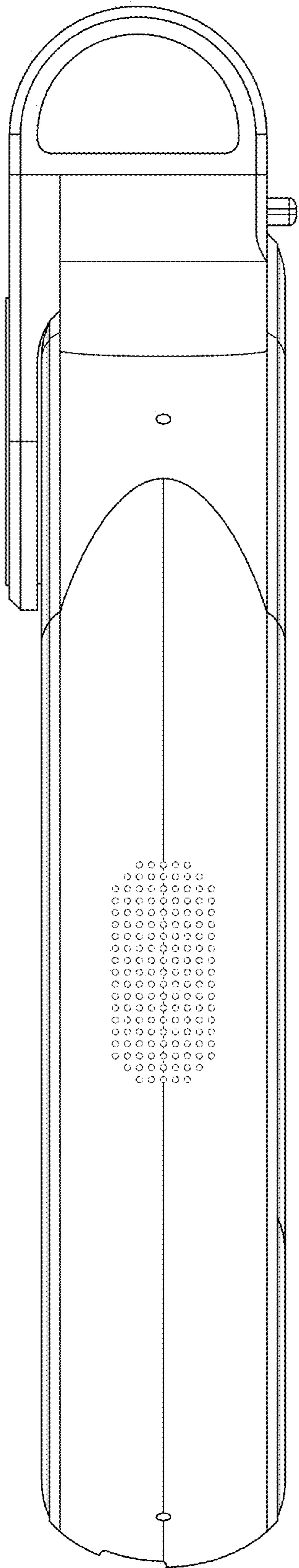


FIG. 3

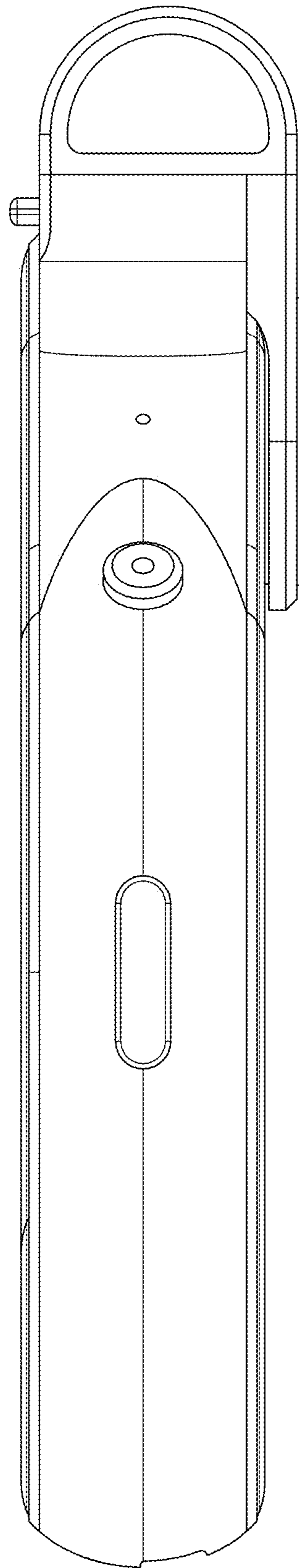


FIG. 4

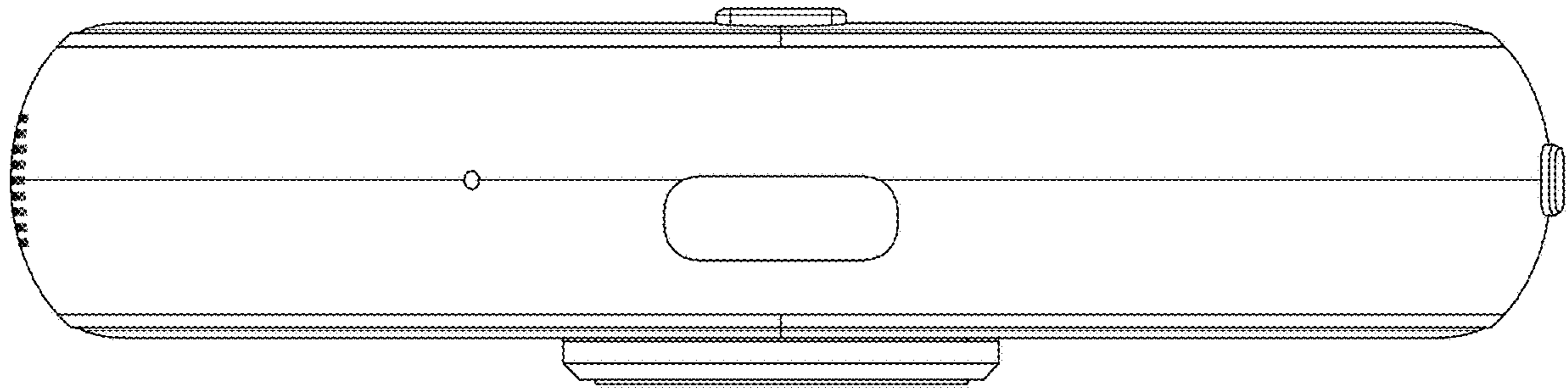


FIG. 5

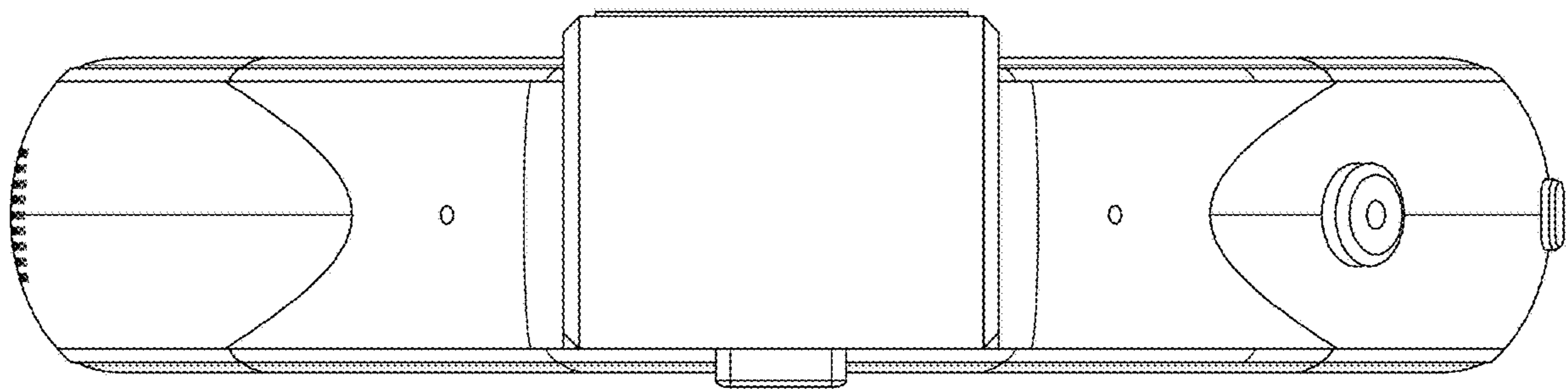


FIG. 6

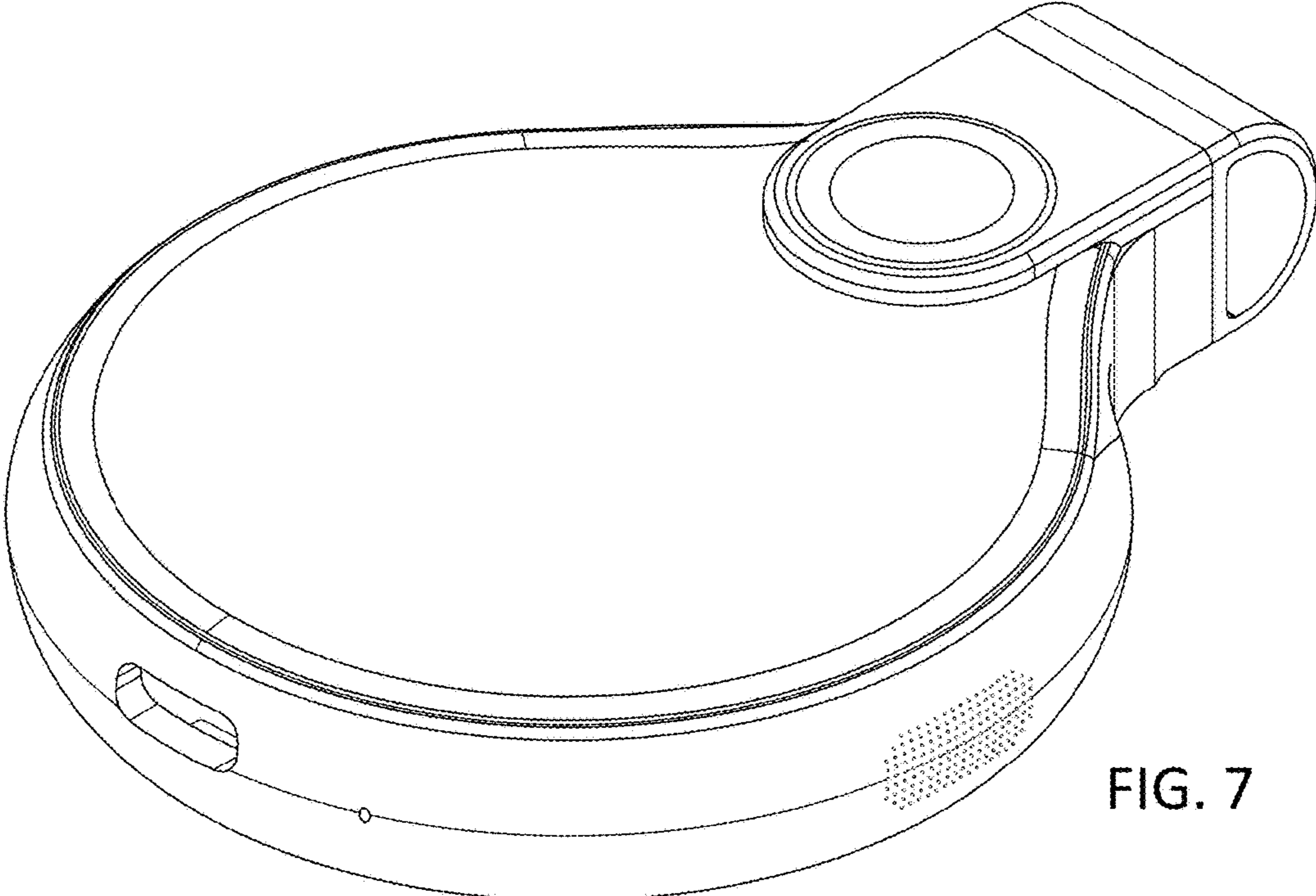


FIG. 7

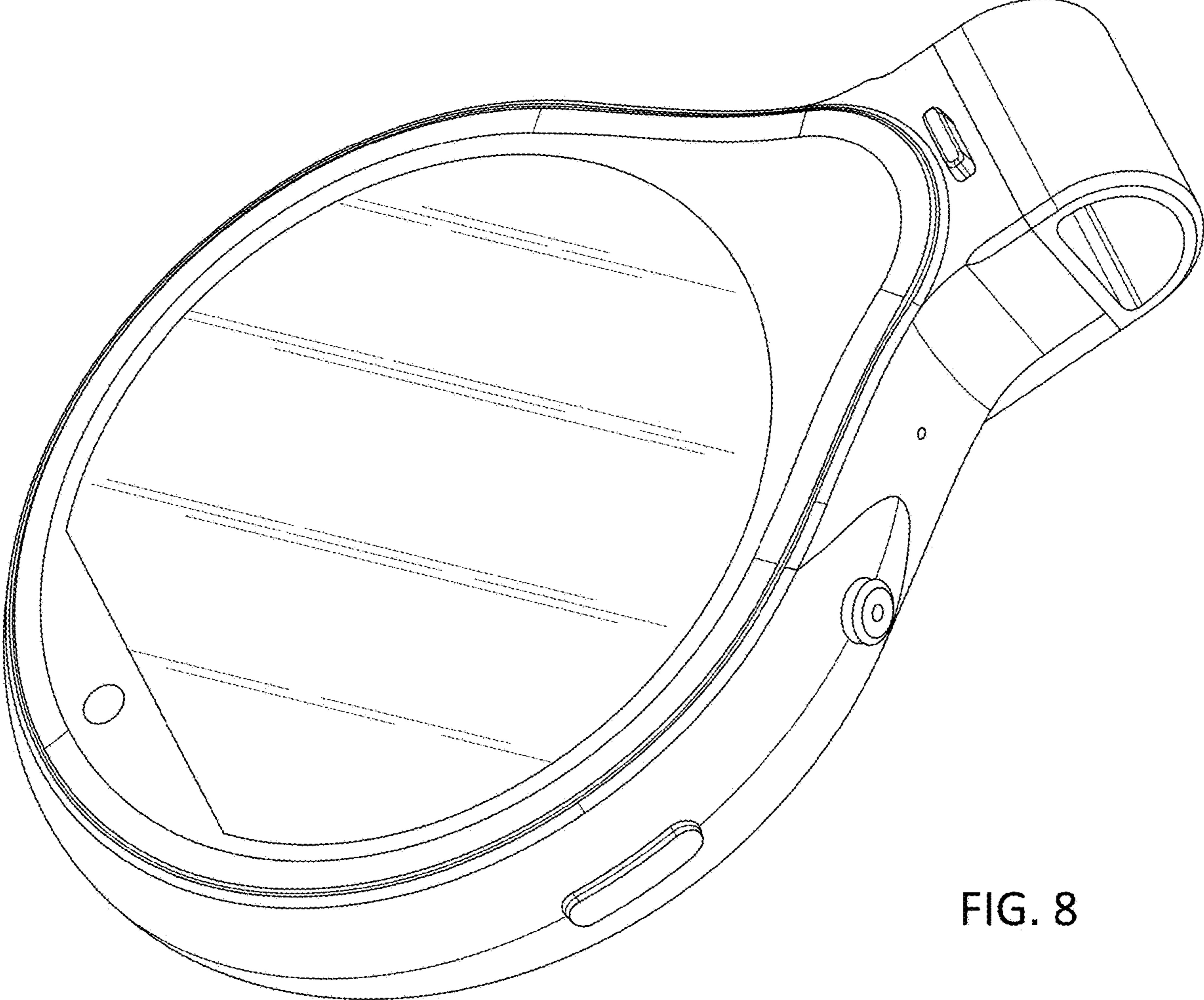


FIG. 8

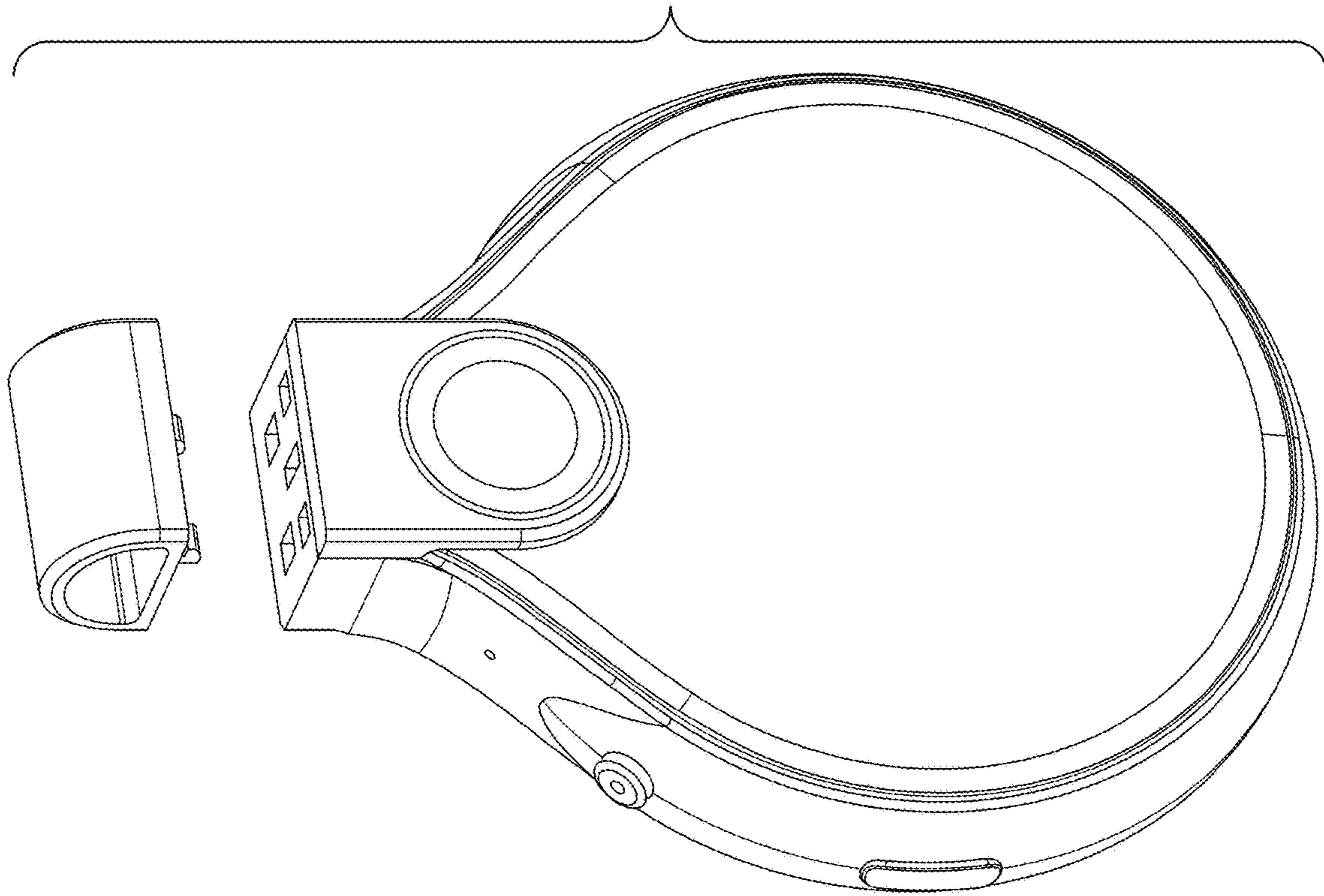


FIG. 9

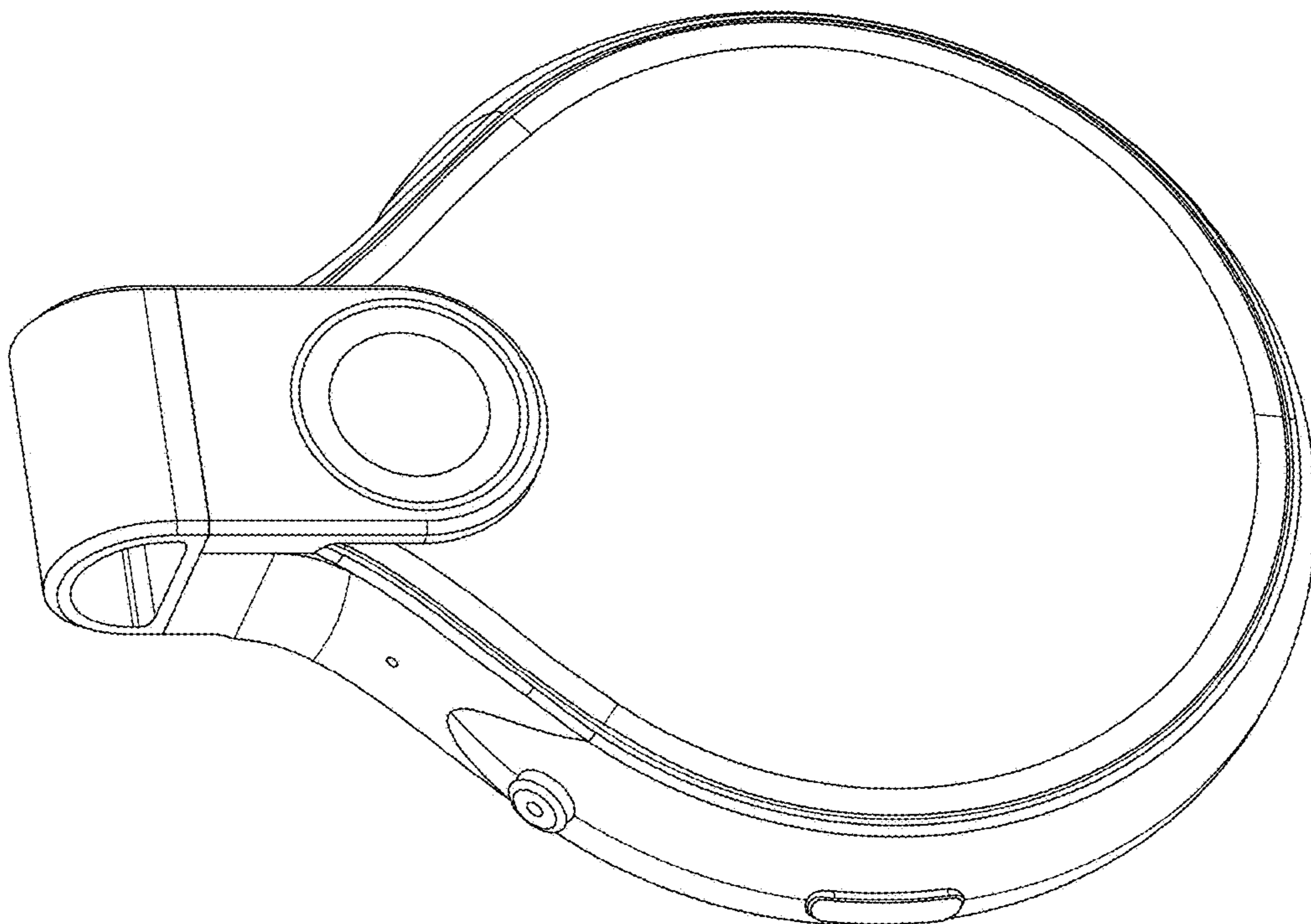


FIG. 10