



US00D872160S

(12) **United States Design Patent**
Li

(10) **Patent No.:** **US D872,160 S**
(45) **Date of Patent:** **** Jan. 7, 2020**

(54) **CAMCORDER**

(71) Applicants: **Sintai Optical (Shenzhen) Co., Ltd.**,
ShenZhen, Guandong Province (CN);
Asia Optical Co., Inc., Taichung (TW)

(72) Inventor: **Gui-Feng Li**, Taichung (TW)

(73) Assignees: **SINTAI OPTICAL (SHENZHEN)**
CO., LTD., Shenzhen, Guangdong
Province (CN); **ASIA OPTICAL CO.,**
INC., Taichung (TW)

(**) Term: **15 Years**

(21) Appl. No.: **29/653,807**

(22) Filed: **Jun. 19, 2018**

(30) **Foreign Application Priority Data**

Jan. 8, 2018 (TW) 107300082

(51) **LOC (12) Cl.** **16-01**

(52) **U.S. Cl.**
USPC **D16/210; D16/218**

(58) **Field of Classification Search**
USPC D16/200, 202-210, 214, 218, 219, 242;
348/14.01-14.06, 143, 148, 151,
348/373-376; 396/419, 427, 535,
396/539-541; 248/176.1, 187.1, 346.5;
224/908
CPC G03B 17/02; G03B 19/04; G03B 17/56;
G03B 17/04; G03B 15/03; H04N 5/2251;
H04N 5/2252; H04N 5/2253; H04N
5/2254; H04N 2007/145; H04N 7/141;
H04N 7/142; H04N 7/147; H04N 7/148;
H04N 7/15; H04N 7/152

See application file for complete search history.

(56) **References Cited**

U.S. PATENT DOCUMENTS

8,587,715 B2 *	11/2013	Takeda	H04R 5/027 348/373
D750,147 S *	2/2016	Muller	D16/203
D750,684 S *	3/2016	Katori	D16/203
D753,207 S *	4/2016	Katori	D16/203
D769,956 S *	10/2016	Hinkel	D16/203
D792,496 S *	7/2017	Meyer	D16/207
D800,201 S *	10/2017	Song	D16/202
D839,945 S *	2/2019	Lenz	D16/218
D849,100 S *	5/2019	Hsu	D16/210
D858,605 S *	9/2019	Tang	D16/203

* cited by examiner

Primary Examiner — Ramzi S Almatrahi

(74) *Attorney, Agent, or Firm* — McClure, Qualey &
Rodack, LLP

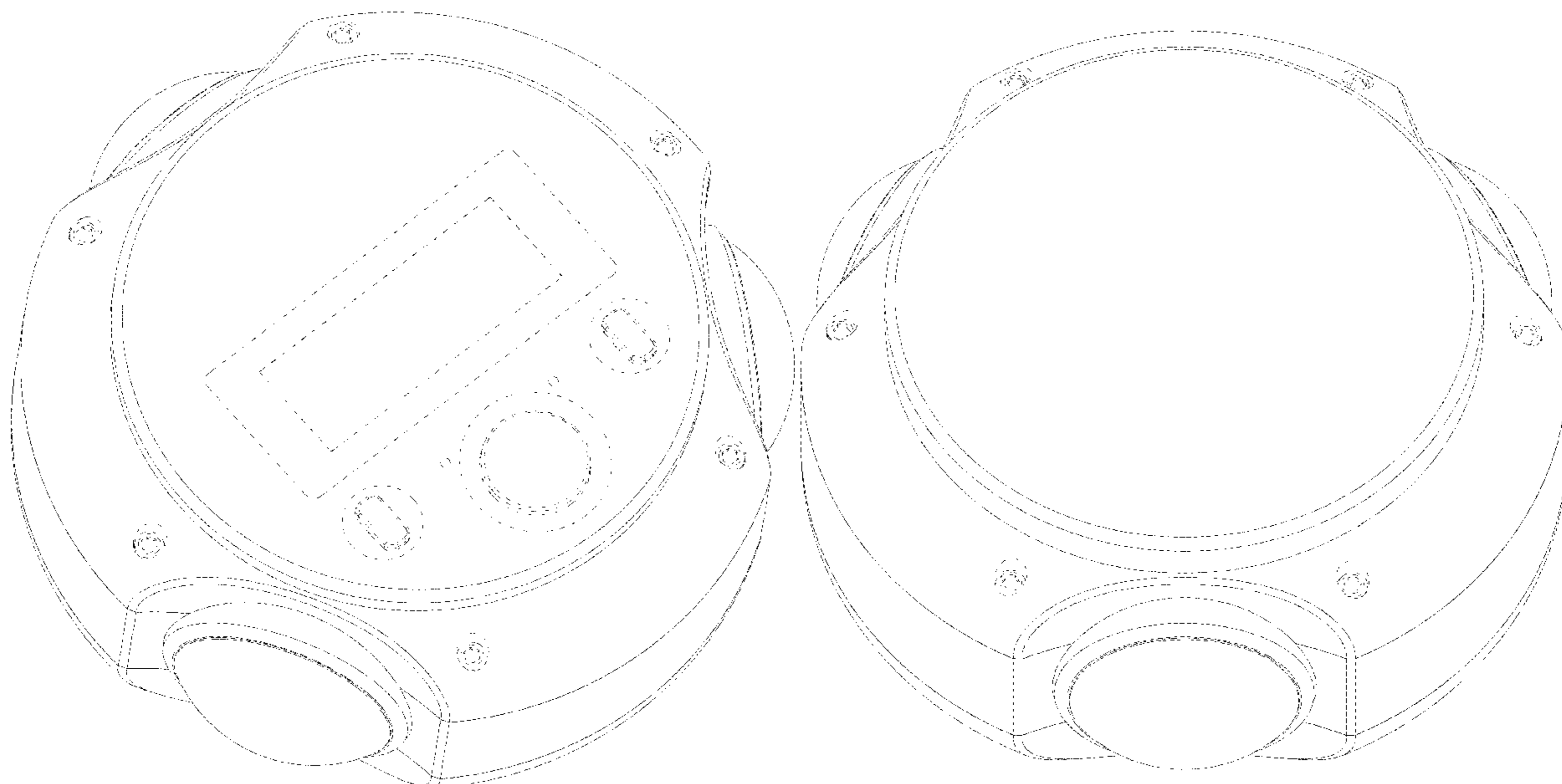
(57) **CLAIM**

The ornamental design for a camcorder, as shown and described.

DESCRIPTION

FIG. 1 is a front elevational view of a camcorder showing my new design;
FIG. 2 is a rear elevational view thereof;
FIG. 3 is a left side elevational view thereof;
FIG. 4 is a right side elevational view thereof;
FIG. 5 is a top plan view thereof;
FIG. 6 is a bottom plan view thereof;
FIG. 7 is a top perspective view thereof; and,
FIG. 8 is a bottom perspective view thereof.
The broken lines in FIGS. 1-8 depict portions of the camcorder in which the design is embodied that form no part of the claimed design.

1 Claim, 8 Drawing Sheets



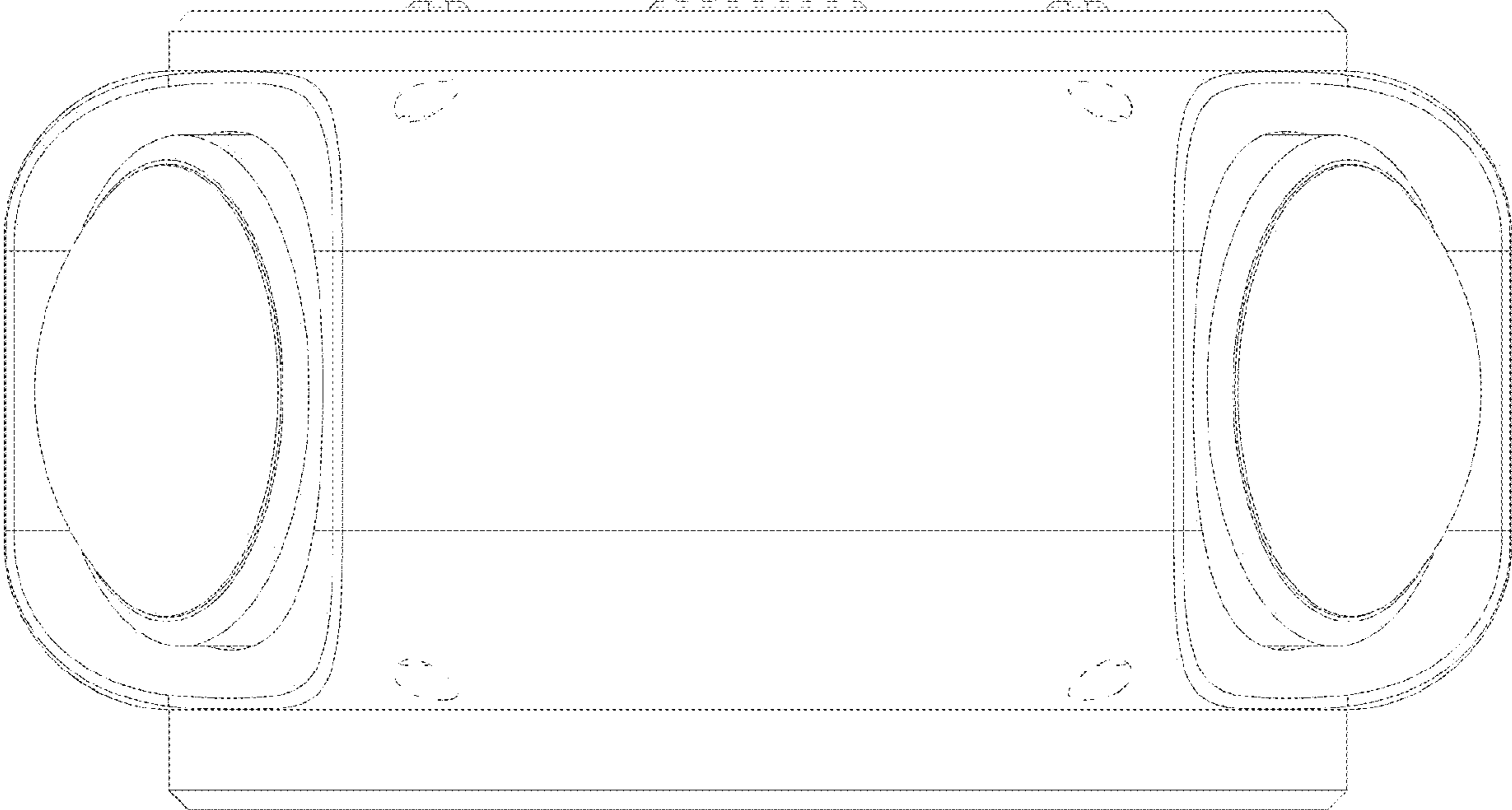


Fig. 1

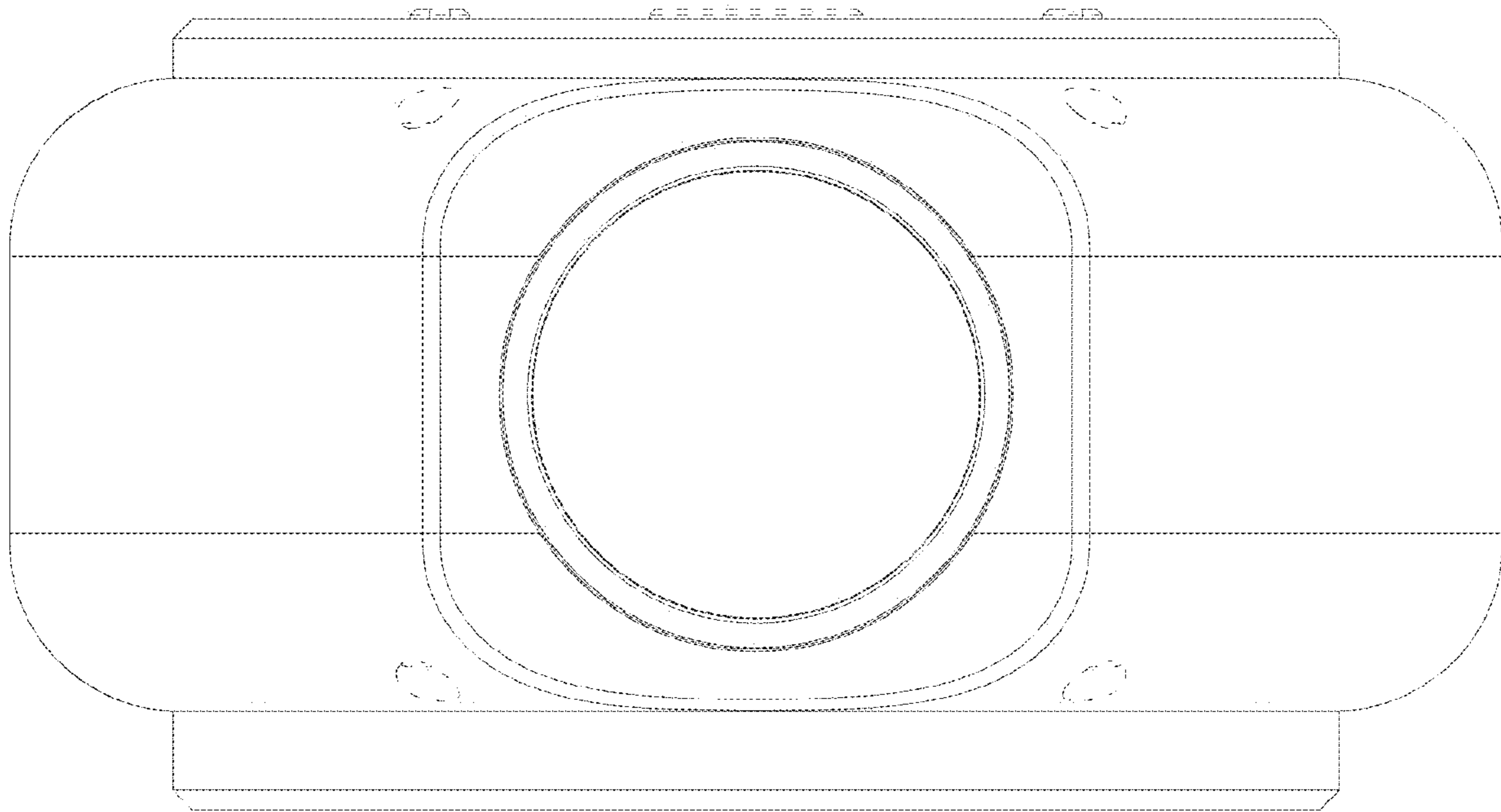


Fig. 2

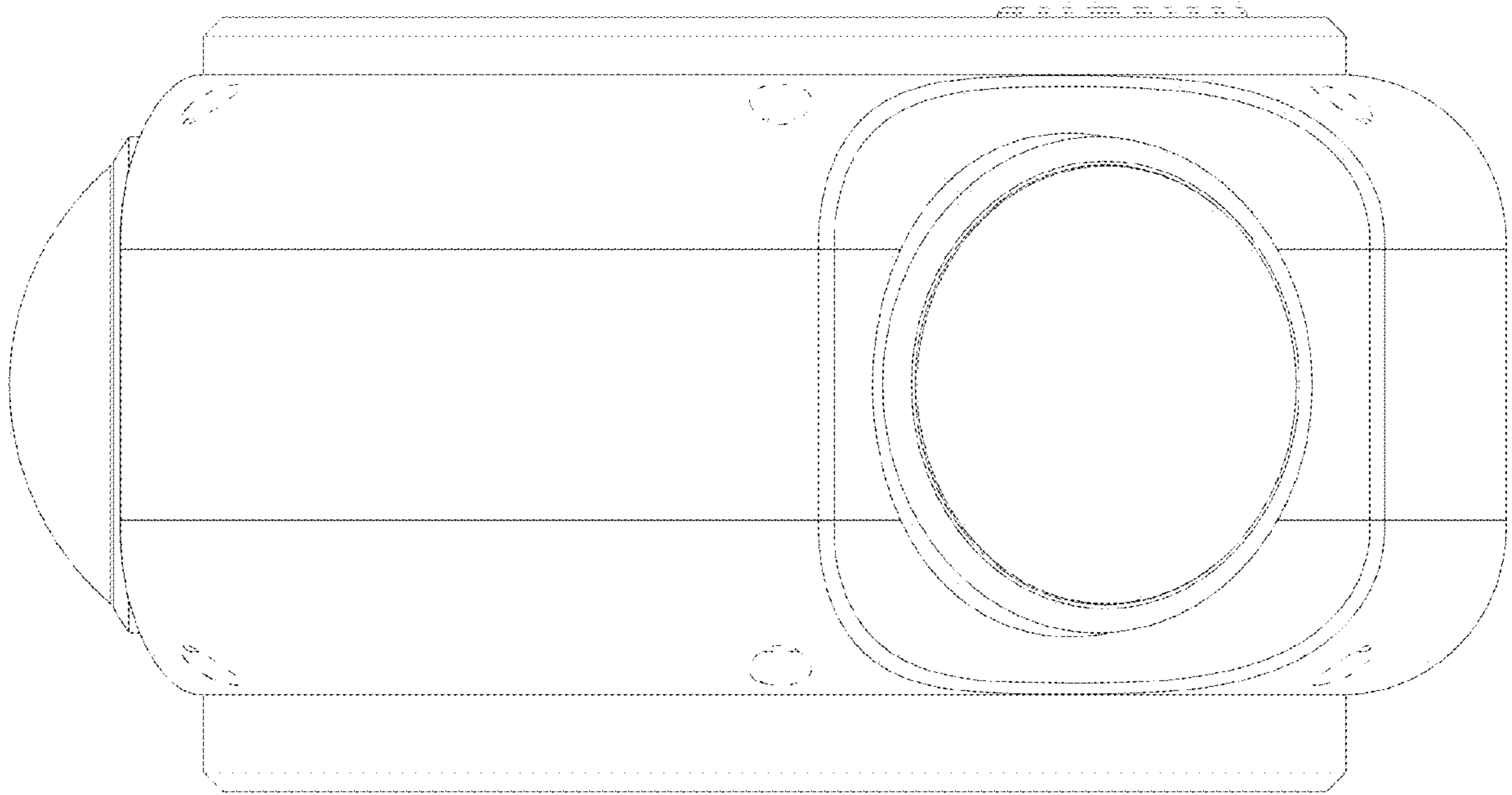


Fig. 3

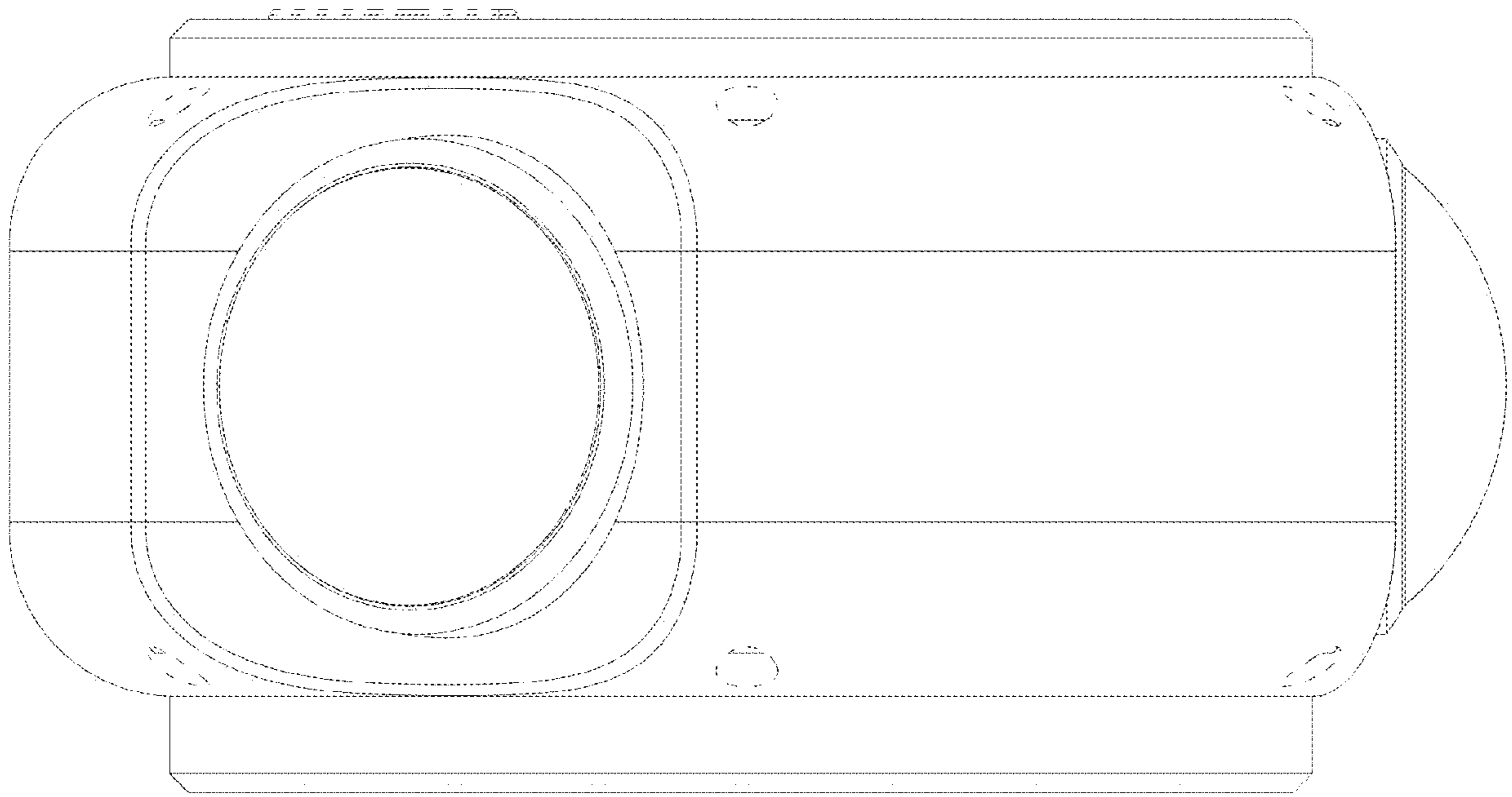


Fig. 4

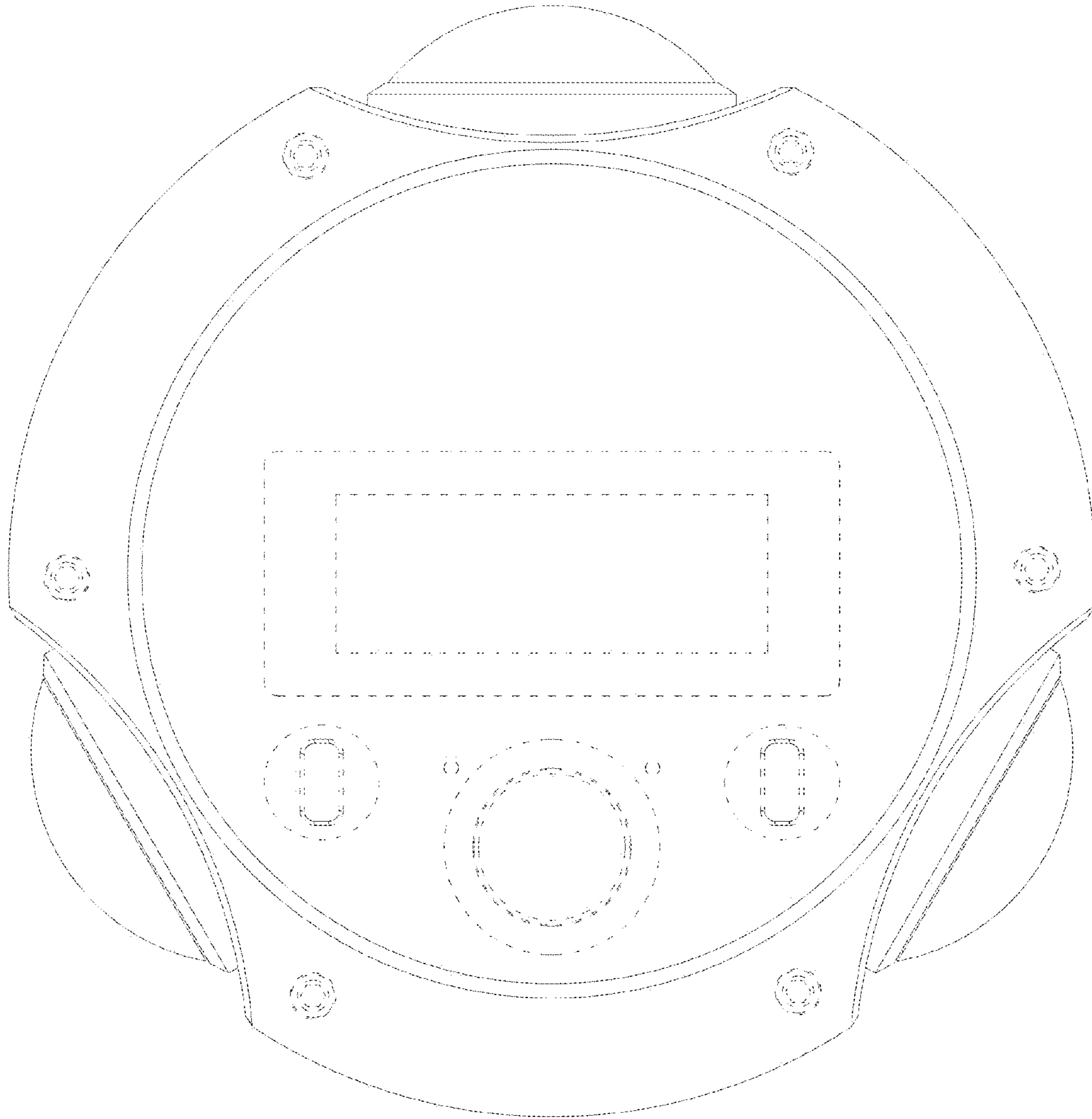


Fig. 5

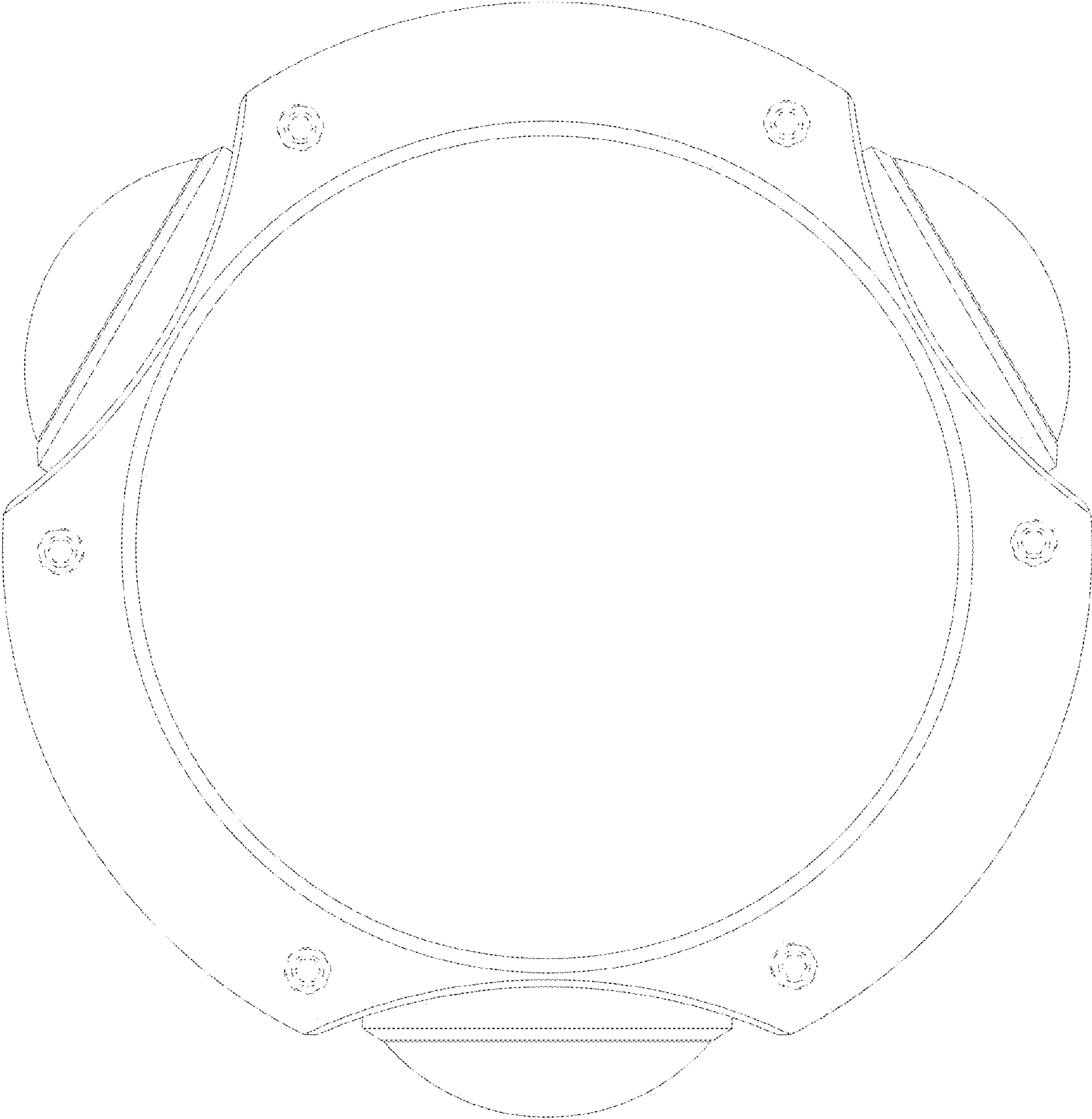


Fig. 6

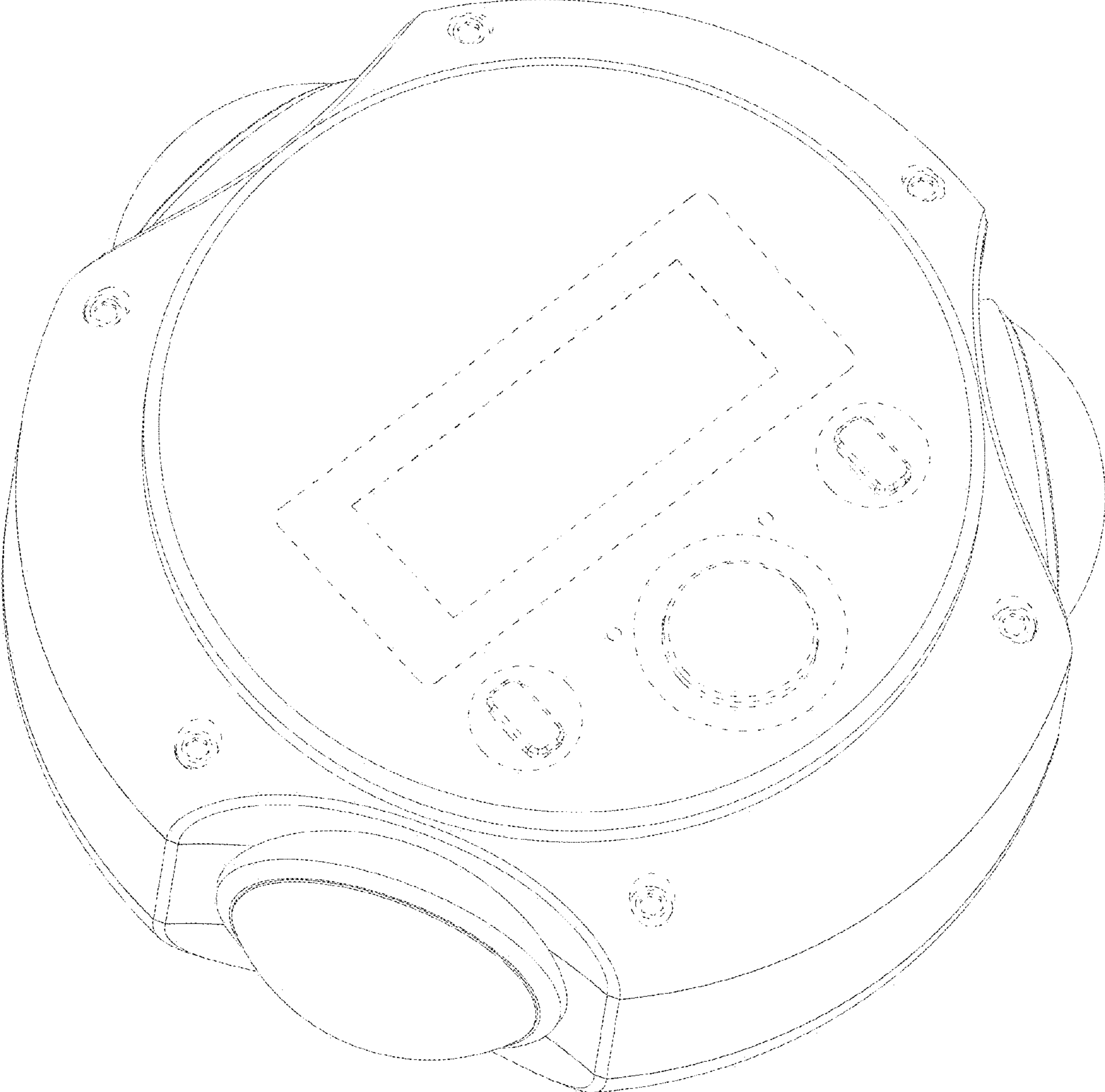


Fig. 7

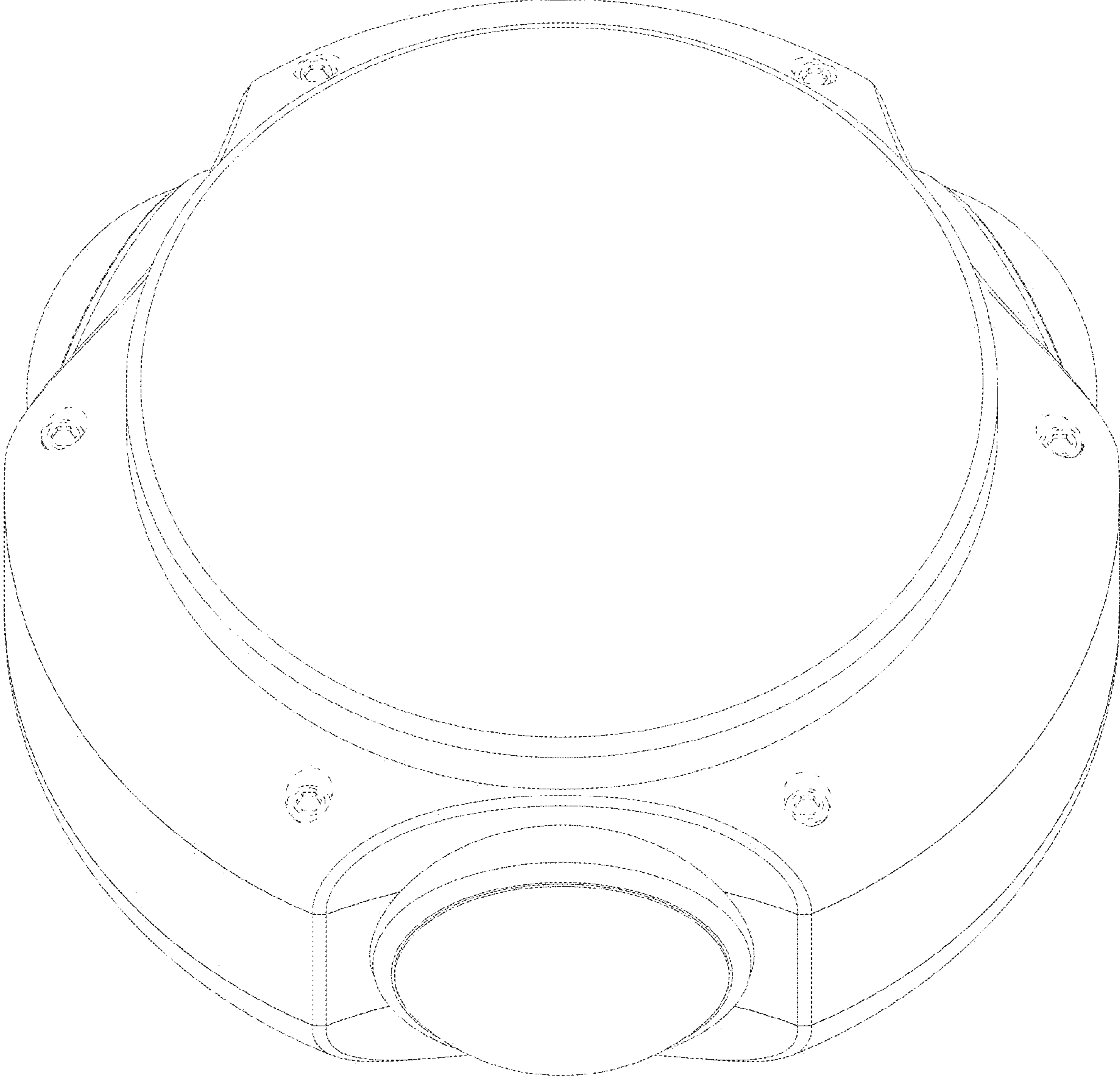


Fig. 8