



US00D872157S

(12) **United States Design Patent**  
**Nishiwaki**

(10) **Patent No.:** **US D872,157 S**

(45) **Date of Patent:** **\*\* Jan. 7, 2020**

(54) **VIDEO CAMERA**

(71) Applicant: **Panasonic Intellectual Property Management Co., Ltd., Osaka (JP)**

(72) Inventor: **Kenji Nishiwaki, Hyogo (JP)**

(73) Assignee: **Panasonic Intellectual Property Management Co., Ltd., Osaka (JP)**

(\*\*) Term: **15 Years**

(21) Appl. No.: **29/604,549**

(22) Filed: **May 18, 2017**

(30) **Foreign Application Priority Data**

Apr. 7, 2017 (JP) ..... 2017-007393

(51) **LOC (12) Cl.** ..... **16-01**

(52) **U.S. Cl.**  
USPC ..... **D16/202**

(58) **Field of Classification Search**  
USPC ..... D16/200, 202-206, 208, 218, 219, 242;  
348/373-376; 396/529-532, 535,  
396/539-541

CPC ..... G03B 17/02; G03B 19/04; G03B 17/56;  
G03B 17/04; G03B 15/03; G03B 17/14;  
H04N 5/2251; H04N 5/2252; H04N  
5/2253; H04N 5/2254; G02B 7/02; G02B  
7/04; G02B 7/14

See application file for complete search history.

(56) **References Cited**

**U.S. PATENT DOCUMENTS**

6,637,952 B2 \* 10/2003 Arbuckle ..... G03B 17/02  
348/143  
D563,450 S \* 3/2008 Cheng ..... D16/200  
D687,875 S \* 8/2013 Sasaki ..... D16/202

D694,797 S \* 12/2013 Parker ..... D16/202  
D705,843 S \* 5/2014 Kawai ..... D16/202  
D727,390 S \* 4/2015 Schmidt ..... D16/218  
D733,784 S \* 7/2015 Yamashita ..... D16/218  
D739,888 S \* 9/2015 Liang ..... D16/203  
D741,388 S \* 10/2015 Register ..... D16/202  
D744,022 S \* 11/2015 Petty ..... D16/202  
D768,749 S \* 10/2016 Koppetz ..... D16/202  
D769,955 S \* 10/2016 Faehrmann ..... D16/202  
D840,459 S \* 2/2019 Petty ..... D16/202

**FOREIGN PATENT DOCUMENTS**

EM 002677369-0002 4/2015

\* cited by examiner

*Primary Examiner* — Ramzi S Almatrahi

(74) *Attorney, Agent, or Firm* — Panasonic IP Management; Kerry S. Culpepper

(57) **CLAIM**

The ornamental design for a video camera, as shown and described.

**DESCRIPTION**

FIG. 1 is a front perspective view of a video camera of the present invention;  
FIG. 2 is a rear perspective view thereof;  
FIG. 3 is a front view thereof;  
FIG. 4 is a rear view thereof;  
FIG. 5 is a first side view thereof;  
FIG. 6 is a second side view thereof;  
FIG. 7 is a top view thereof;  
FIG. 8 is a bottom view thereof; and,  
FIG. 9 is a cross-sectional view taken along the line 9-9 of FIG. 3 with the internal parts being omitted.  
The broken lines in the drawings represent portions of the video camera that form no part of the claimed design.

**1 Claim, 9 Drawing Sheets**

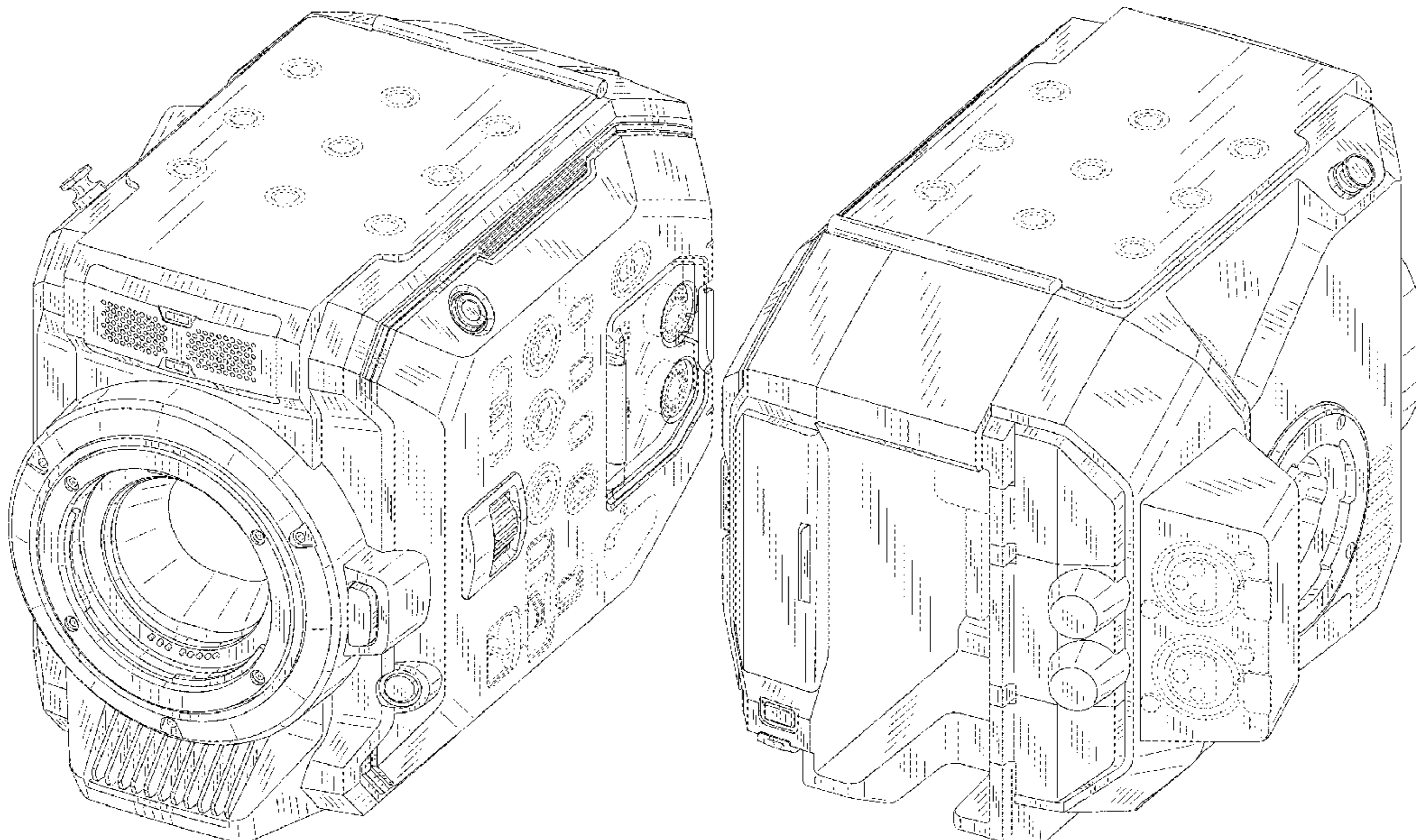


FIG. 1

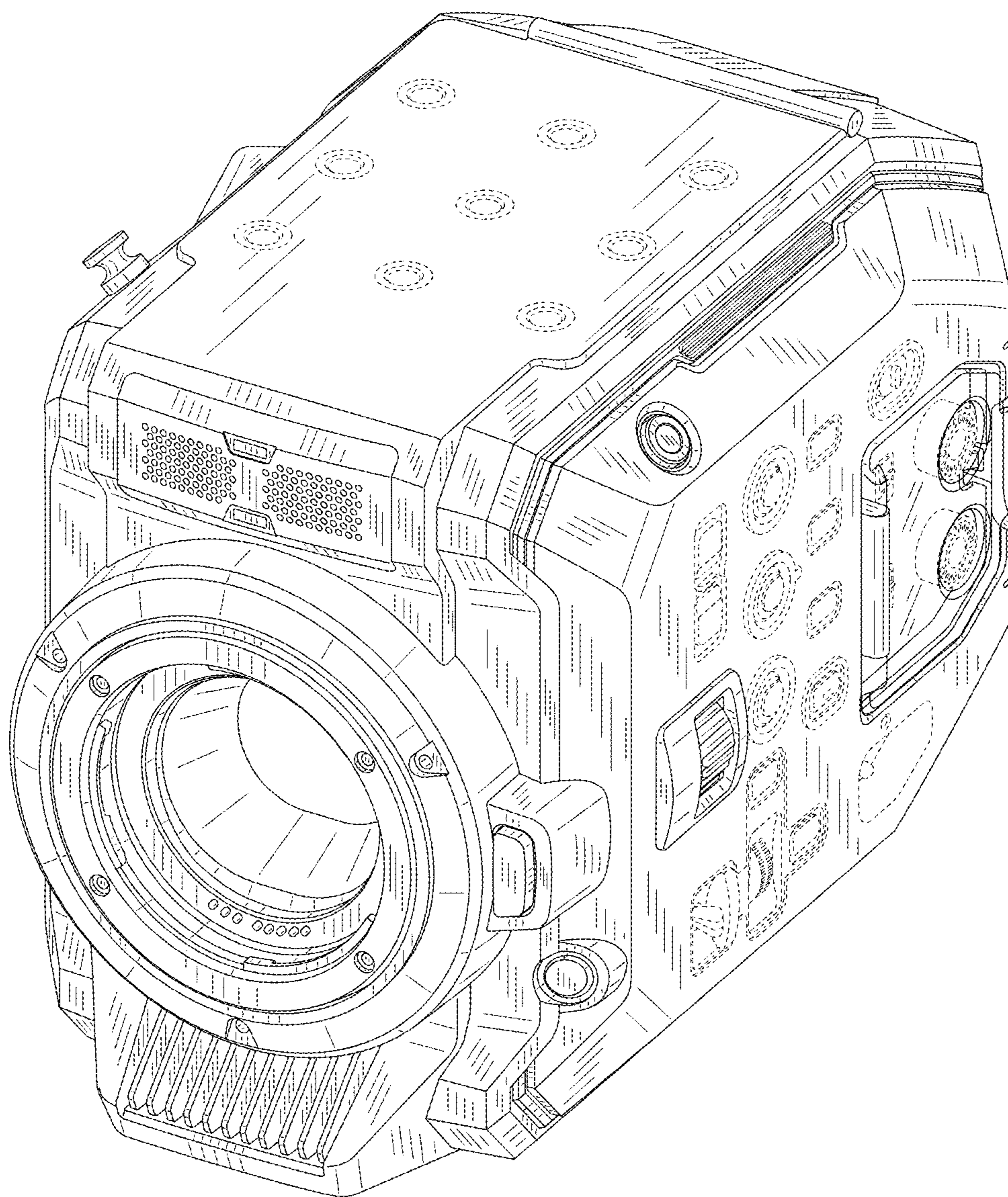


FIG. 2

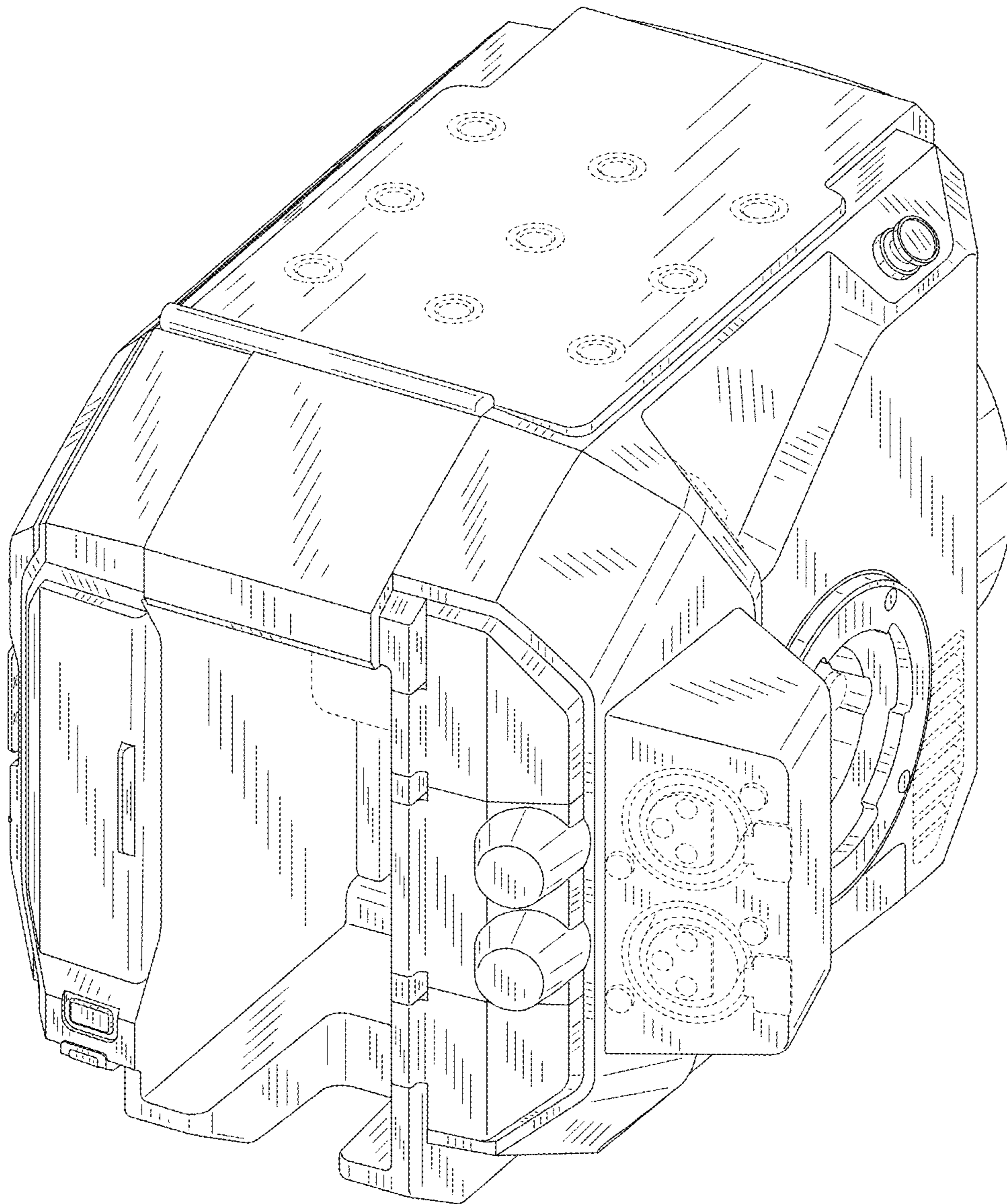


FIG. 3

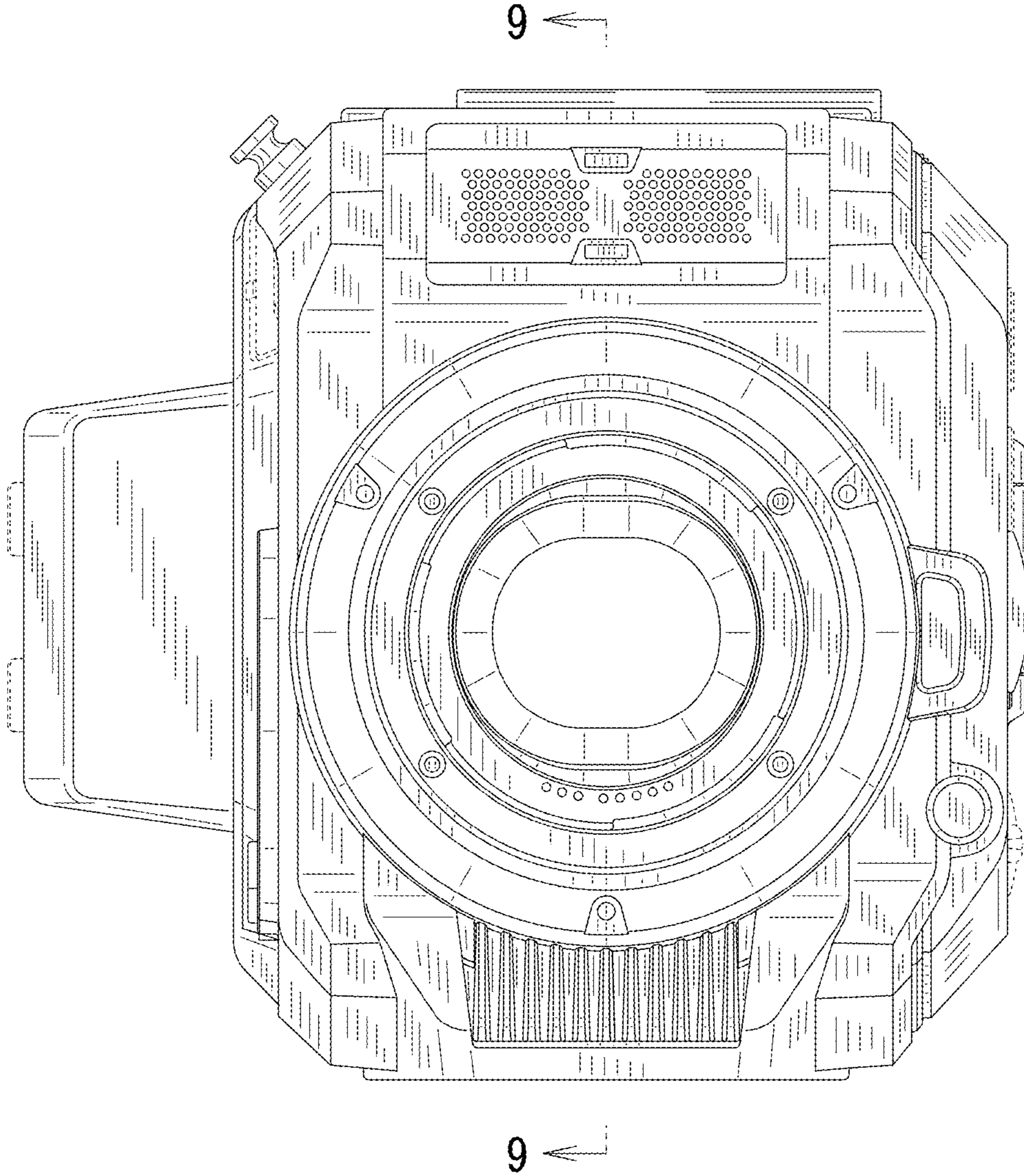


FIG. 4

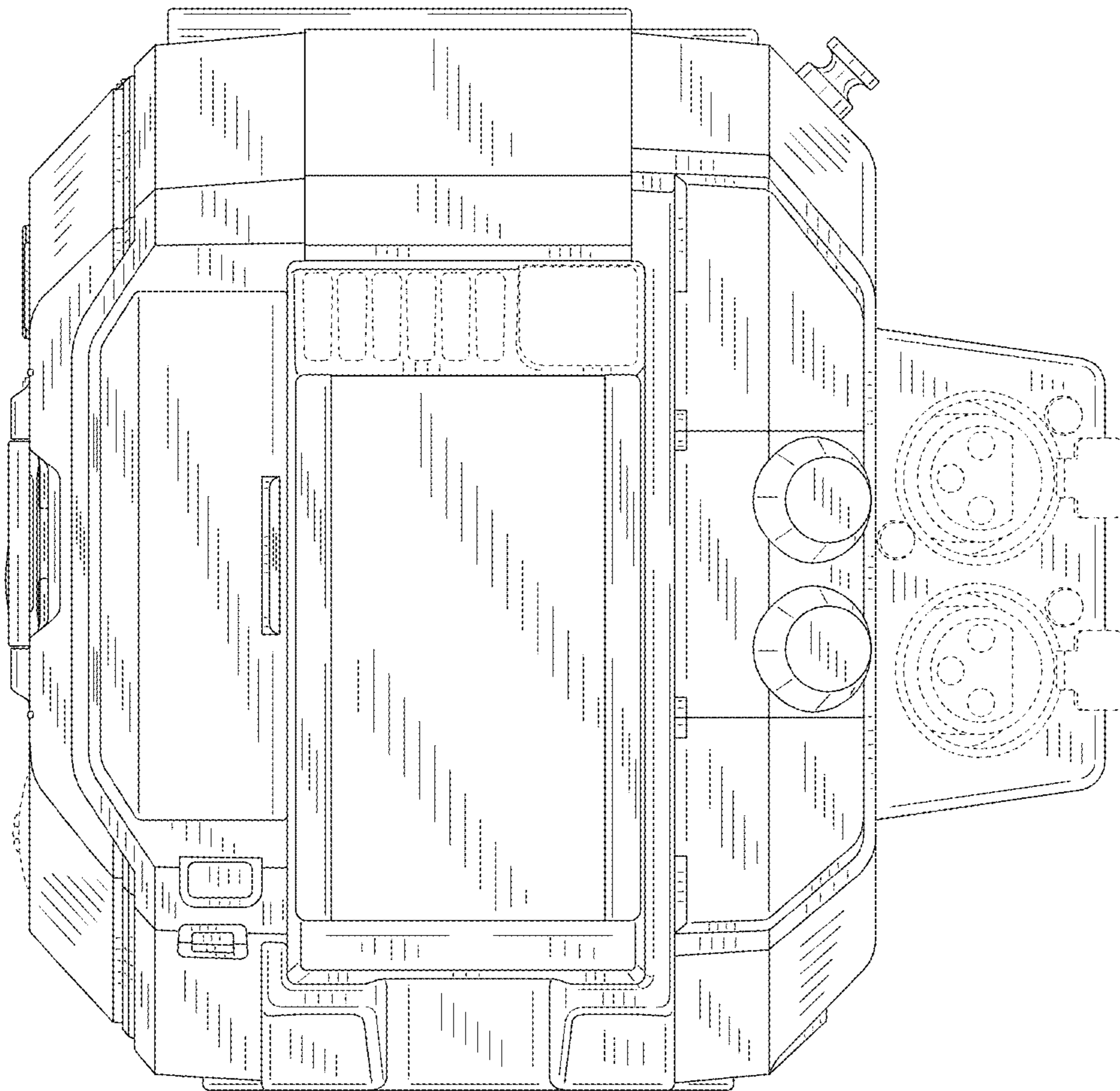


FIG. 5

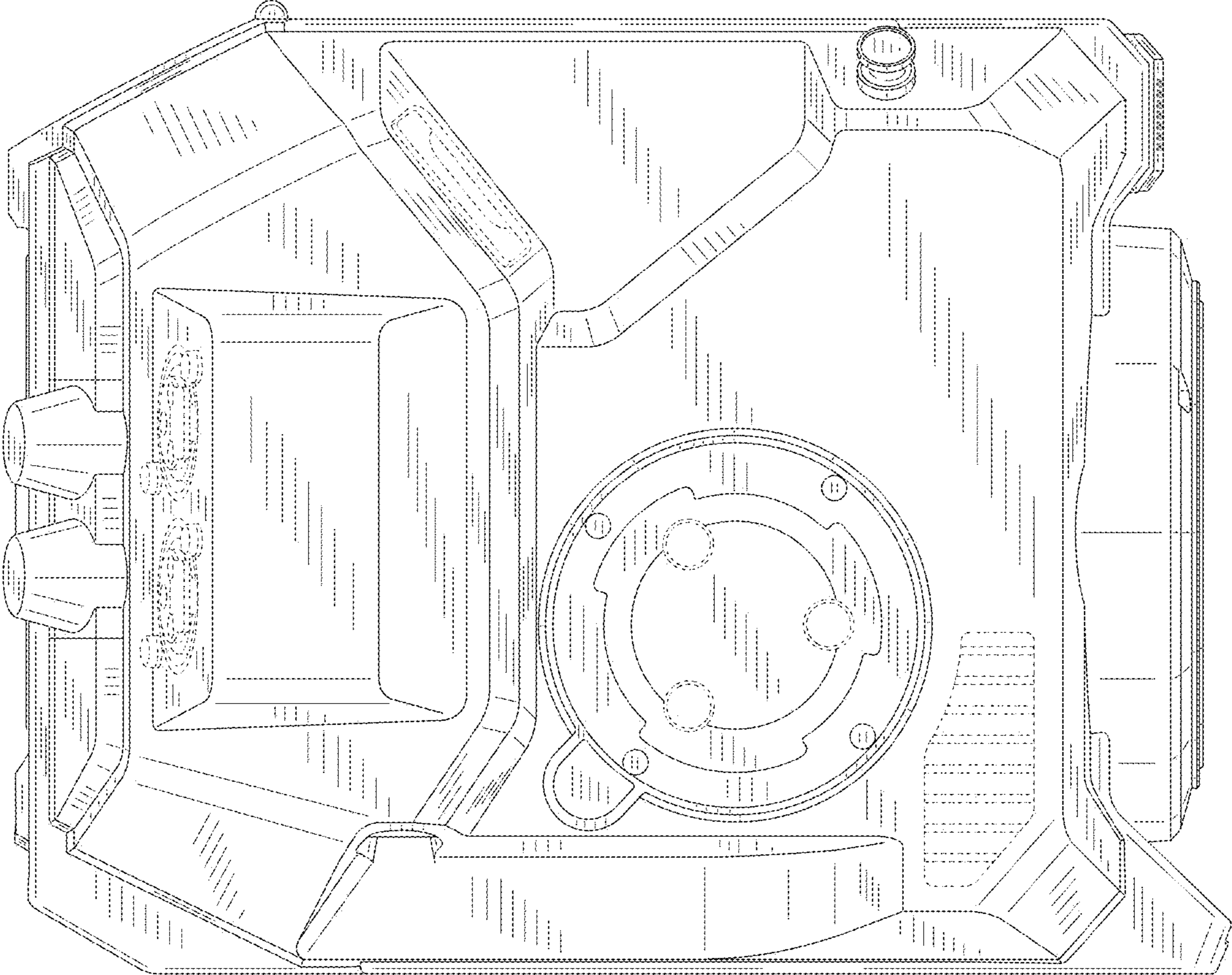


FIG. 6

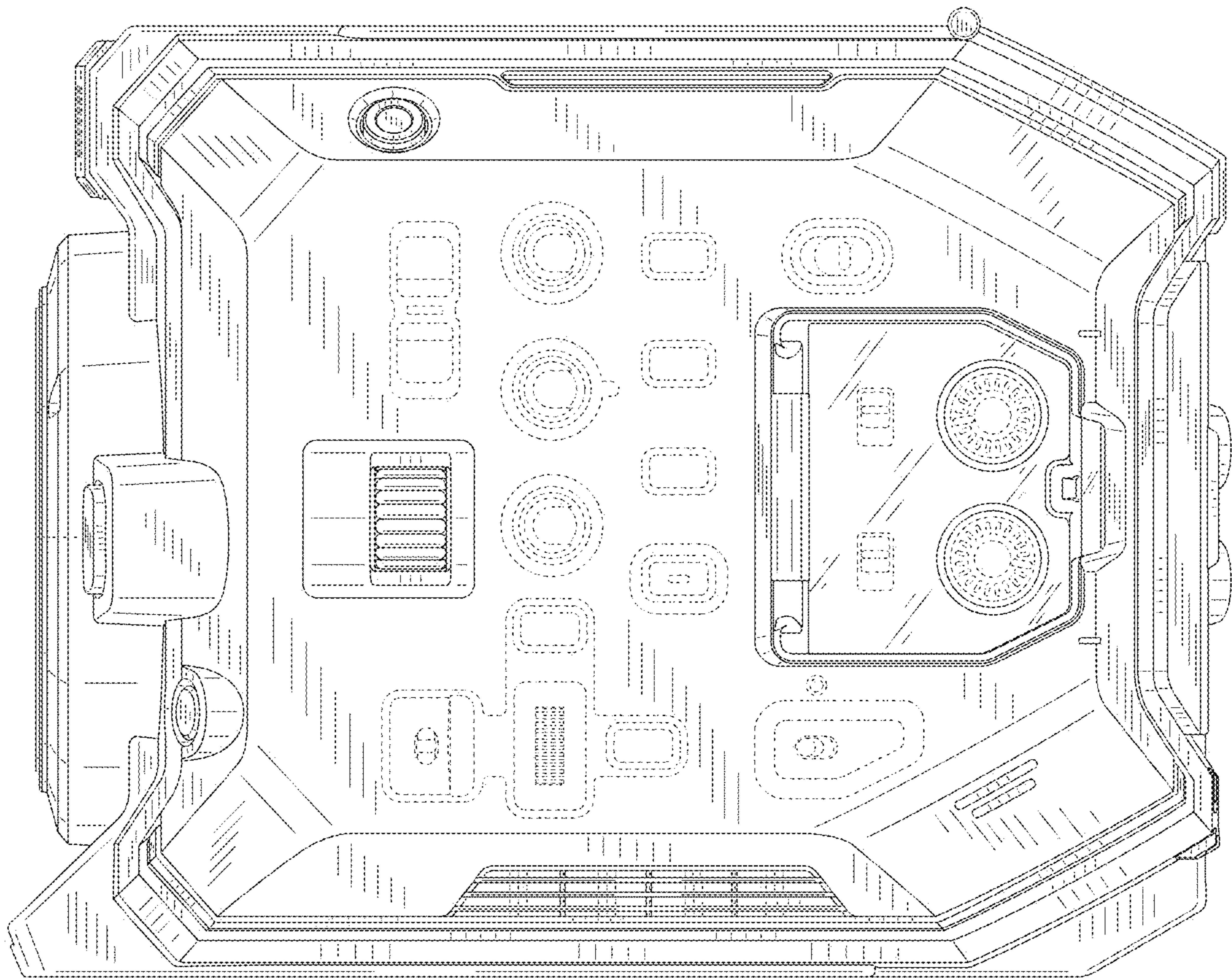


FIG. 7

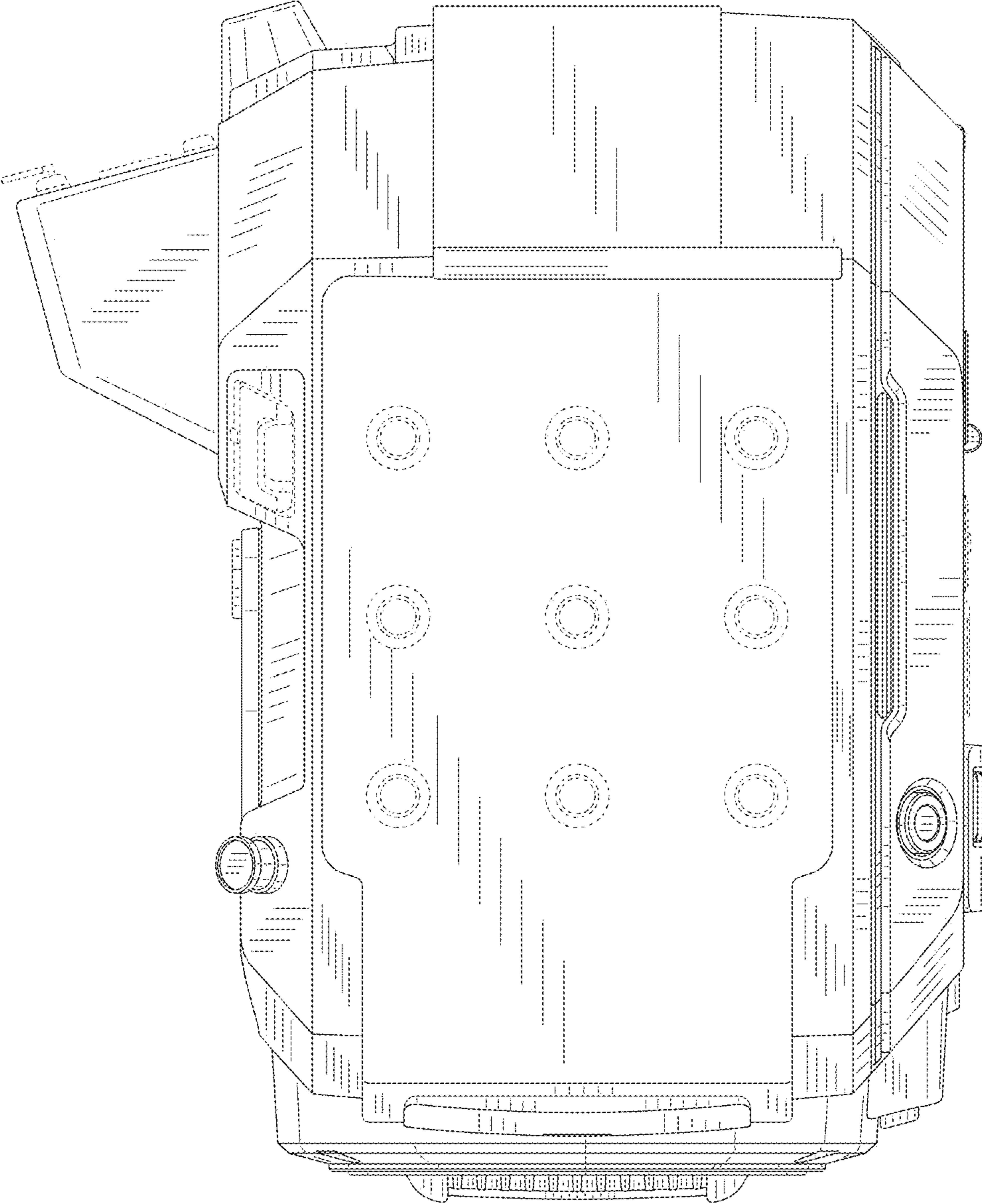




FIG. 8

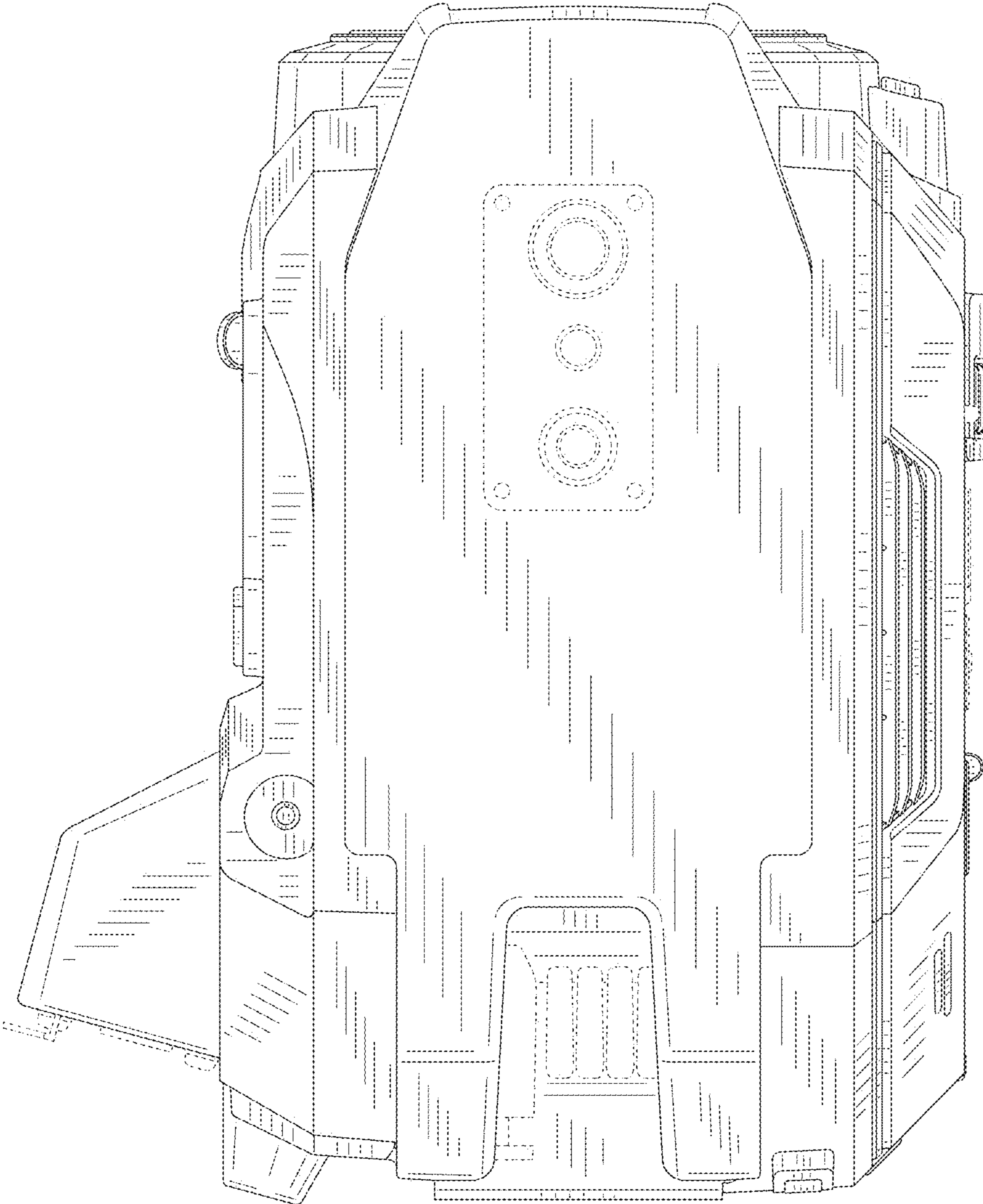


FIG. 9

