



US00D872156S

(12) **United States Design Patent**
Zhao

(10) **Patent No.:** **US D872,156 S**
(45) **Date of Patent:** **** Jan. 7, 2020**

(54) **PROTECTIVE CASE FOR CAMERA**

(71) Applicant: **SHENZHEN SI NUO XIN DA TECHNOLOGY CO., LTD.**, Shenzhen (CN)

(72) Inventor: **Chunmei Zhao**, Shenzhen (CN)

(73) Assignee: **SHENZHEN SI NUO XIN DA TECHNOLOGY CO., LTD.**, Shenzhen (CN)

(**) Term: **15 Years**

(21) Appl. No.: **29/703,342**

(22) Filed: **Aug. 27, 2019**

(51) **LOC (12) Cl.** **16-01**

(52) **U.S. Cl.**
USPC **D16/200**

(58) **Field of Classification Search**
USPC D16/200, 202–206, 218, 219, 242;
348/143, 148, 151, 373–376; 396/419,
396/427, 535, 539–541
CPC G03B 17/02; G03B 19/04; G03B 17/56;
G03B 17/04; G03B 15/03; H04N 5/2251;
H04N 5/2252; H04N 5/2253; H04N
5/2254; H04N 7/181; H04N 7/183; H04N
7/18; G08B 13/1963; G08B 13/19619;
G08B 13/19632; F16M 11/04; F16M
13/00

See application file for complete search history.

(56) **References Cited**

U.S. PATENT DOCUMENTS

D698,841 S *	2/2014	Lee	D16/202
D710,922 S *	8/2014	Gioscia	D16/200
D725,169 S *	3/2015	Gioscia	D16/200
D739,451 S *	9/2015	Gioscia	D16/200
D751,622 S *	3/2016	Mao	D16/218
D769,956 S *	10/2016	Hinkel	D16/203

D776,741 S *	1/2017	Parfitt	D16/204
D804,560 S *	12/2017	Costa	D16/200
D808,163 S *	1/2018	Song	D3/269
D809,045 S *	1/2018	Jou	D16/202
D840,851 S *	2/2019	Ammar	D10/104.1
D841,073 S *	2/2019	Leiponis	D16/203
2009/0317069 A1 *	12/2009	Yim	G03B 17/08 396/27

OTHER PUBLICATIONS

“60m Diving Waterproof Housing Case Cover Protective Shell for Gopro Hero 7 Black”, Retrieved Aug. 26, 2019]. Retrieved from Internet, <https://www.ebay.com.au/itm/60m-Diving-Waterproof-Housing-Case-Cover-Protective-Shell-for-Gopro-Hero-7-Black/173918411441?>.

(Continued)

Primary Examiner — Ramzi S Almatrahi

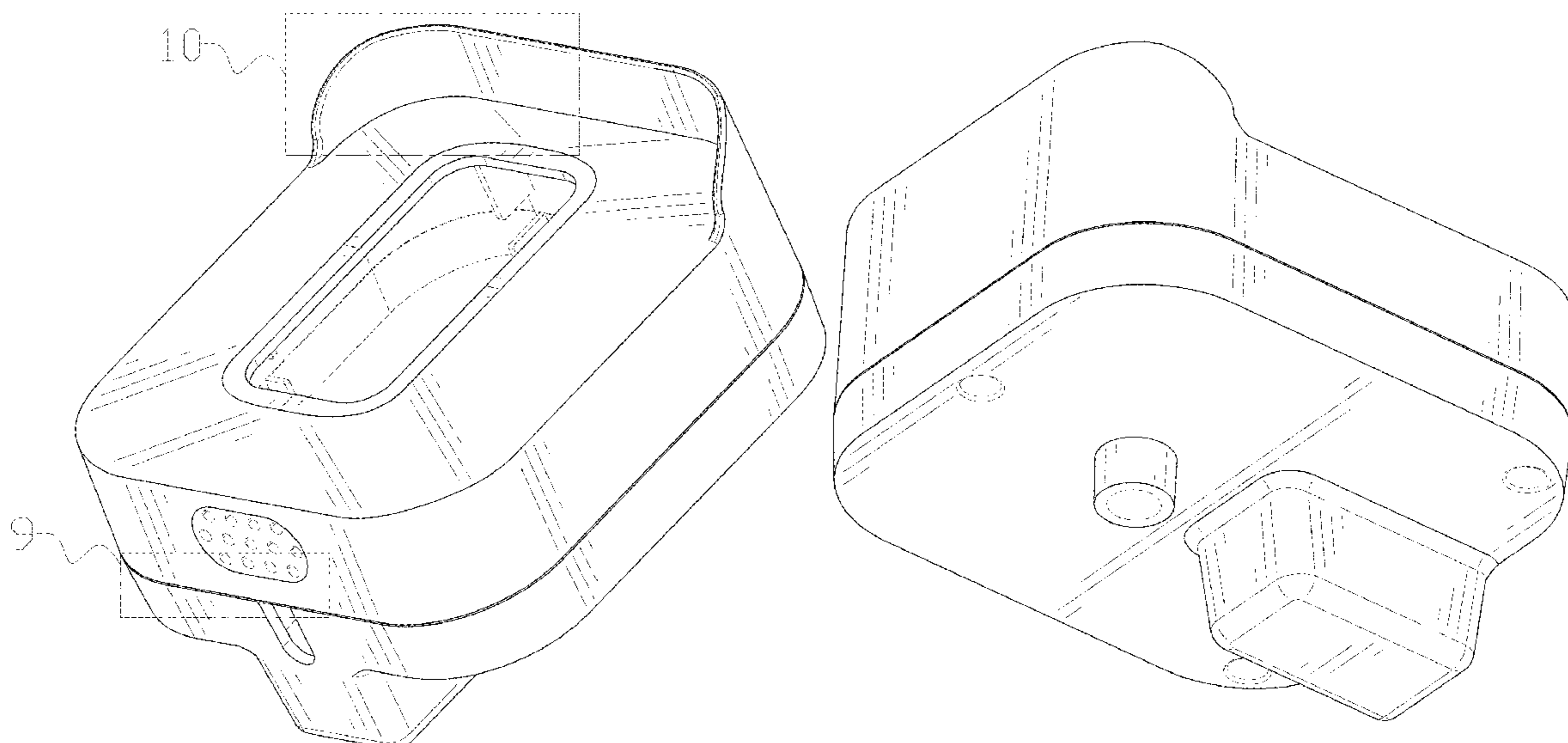
(57) **CLAIM**

The ornamental design for a protective case for camera, as shown and described.

DESCRIPTION

FIG. 1 is a top perspective view of a protective case for camera showing my new design;
FIG. 2 is a bottom perspective view thereof;
FIG. 3 is a front elevational view thereof;
FIG. 4 is a rear elevational view thereof;
FIG. 5 is a left side elevational view thereof;
FIG. 6 is a right side elevational view thereof;
FIG. 7 is a top plan view thereof;
FIG. 8 is a bottom plan view thereof;
FIG. 9 is an enlarged view of portion 9 shown in FIG. 1; and,
FIG. 10 is an enlarged view of portion 10 shown in FIG. 1.
The broken lines in the drawings depict portions of the protective case for camera that form no part of the claimed design.

1 Claim, 10 Drawing Sheets



(56)

References Cited

OTHER PUBLICATIONS

“GoPro Super Suit—Protection + Dive Housing for HERO7 Black, HERO6 Black, HERO5 Black or HERO (2018)”, Retrieved Aug. 26, 2019]. Retrieved from Internet, <https://www.amazon.co.uk/GoPro-Super-Suit-Protection-Housing/dp/B01L2CP126/>.

“Ulanzi V2 Pro Vlog Housing Case Shell for GoPro 7 6 5 Camera Vlogging Cage Frame”, Retrieved Aug. 26, 2019]. Retrieved from Internet, <https://www.ebay.com.au/itm/Ulanzi-V2-Pro-Vlog-Housing-Case-Shell-for-GoPro-7-6-5-Camera-Vlogging-Cage-Frame/273888815797?>.

* cited by examiner

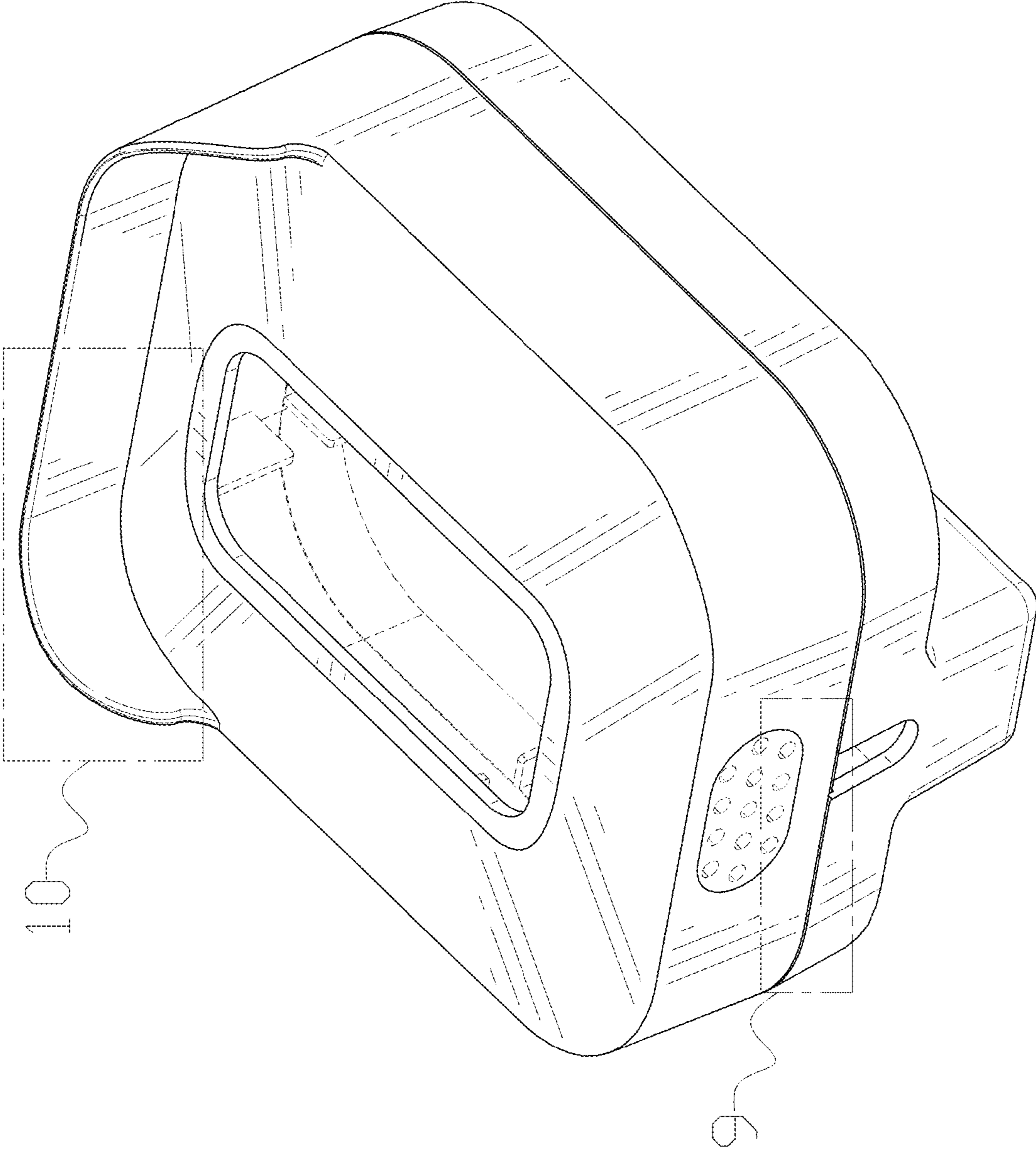


FIG. 1

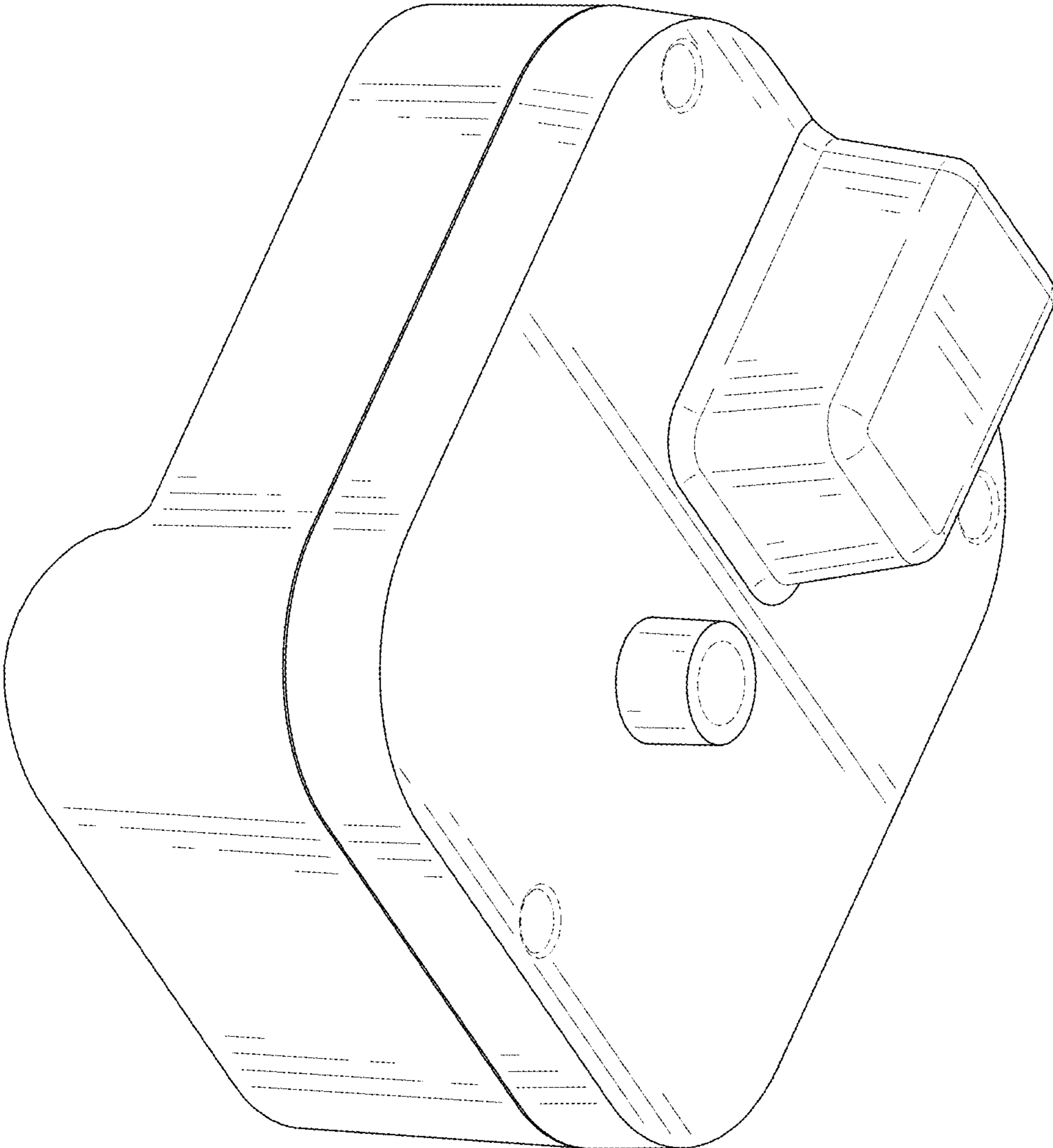


FIG. 2

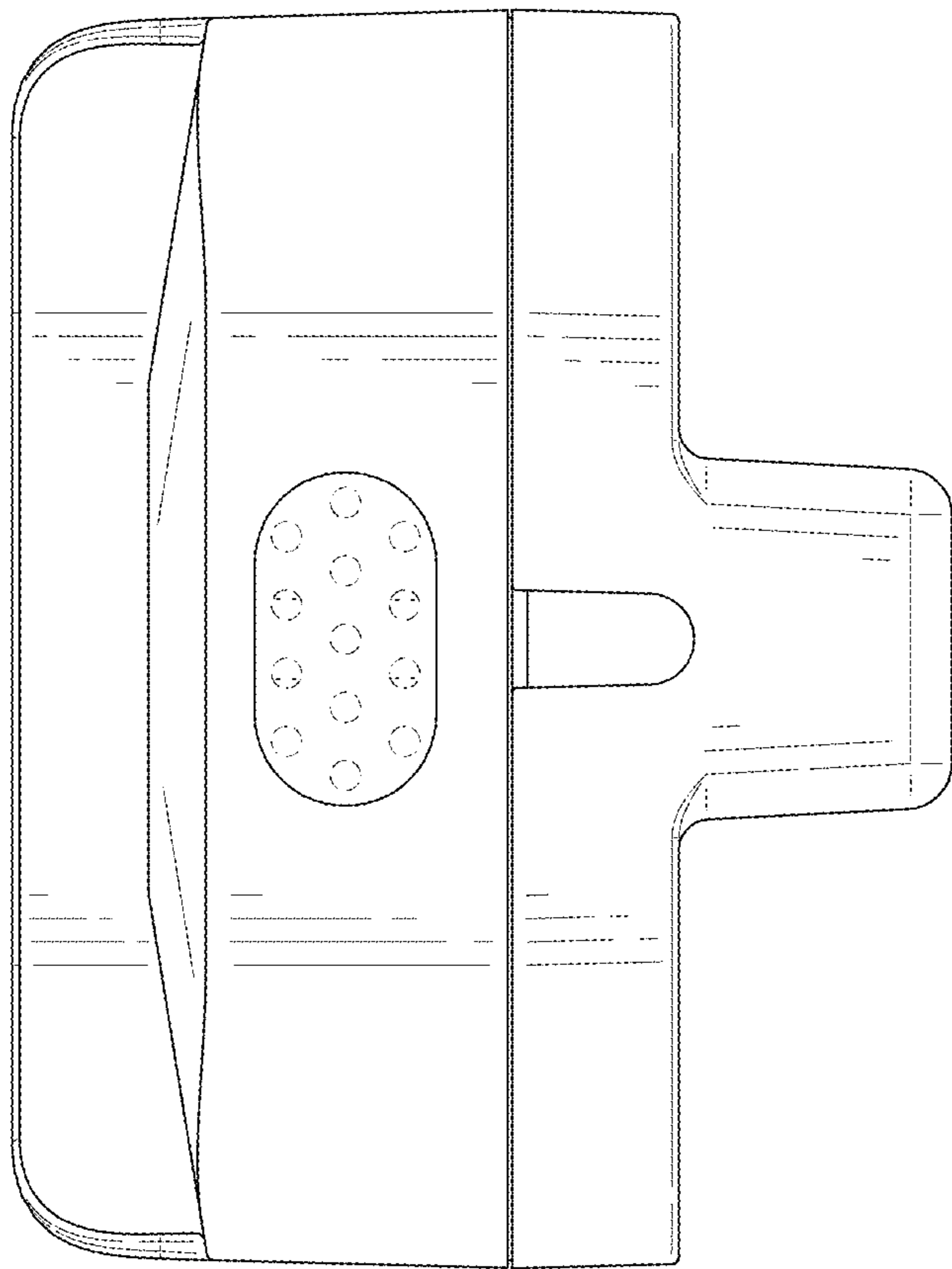


FIG. 3

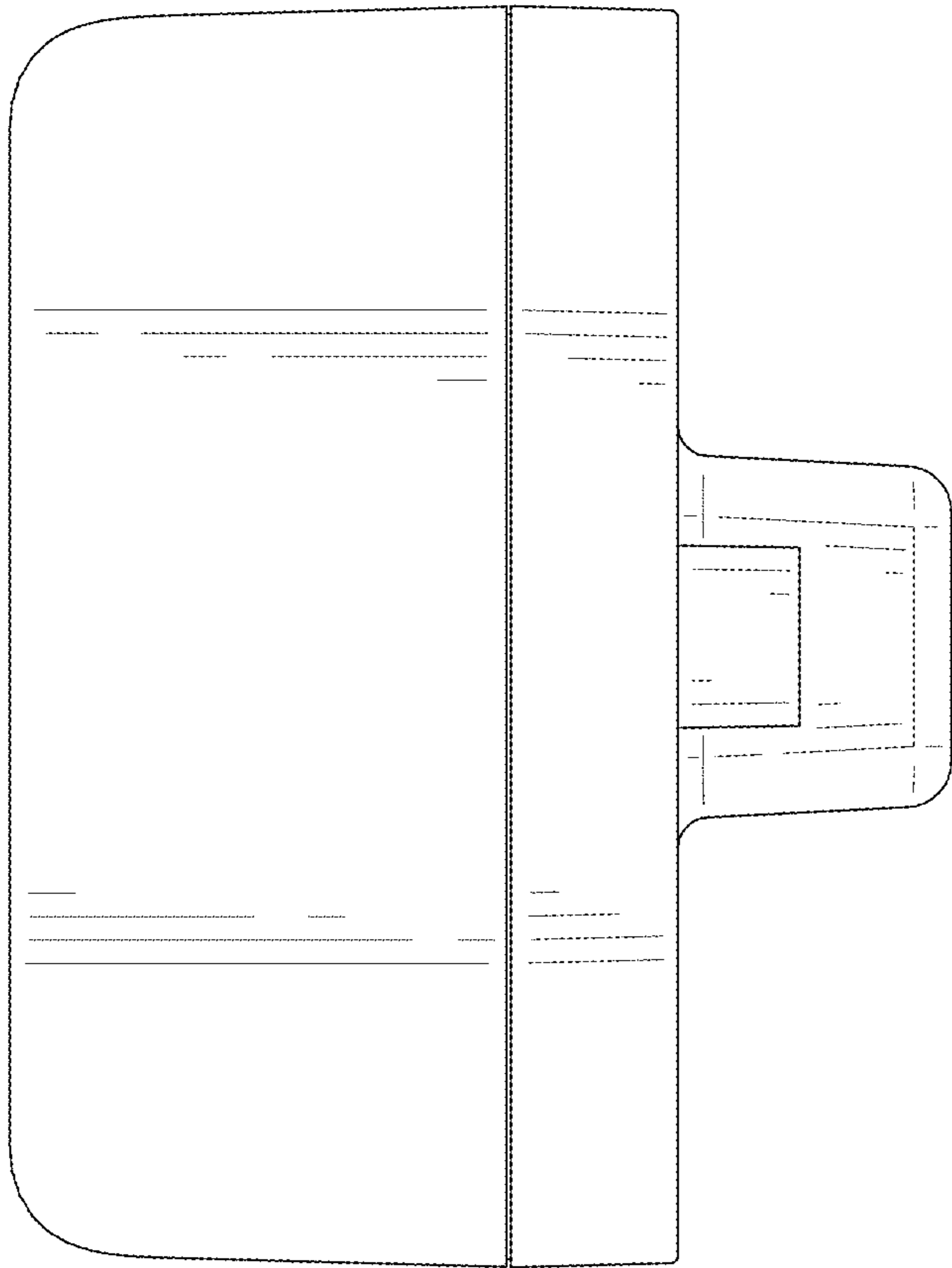


FIG. 4

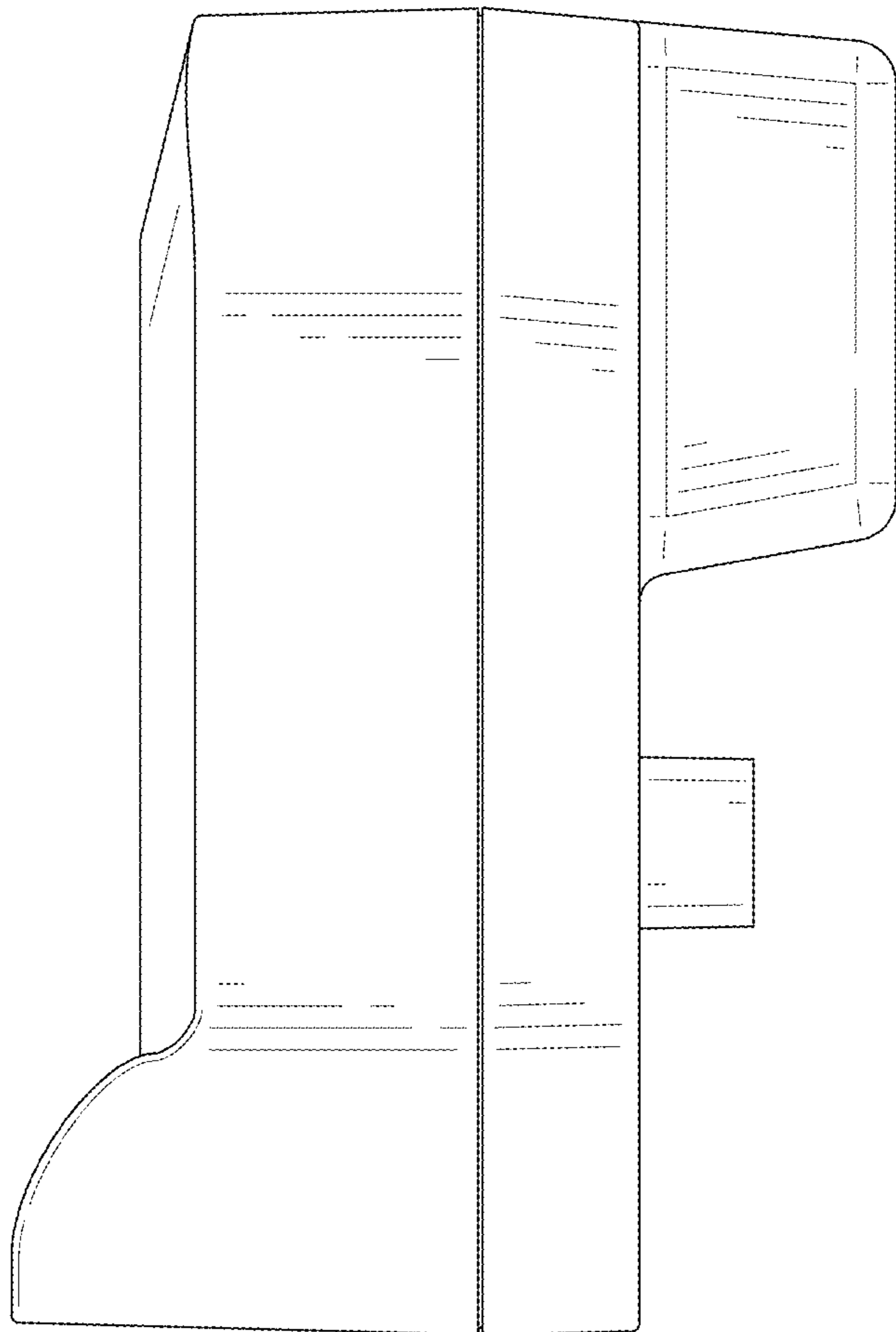


FIG. 5

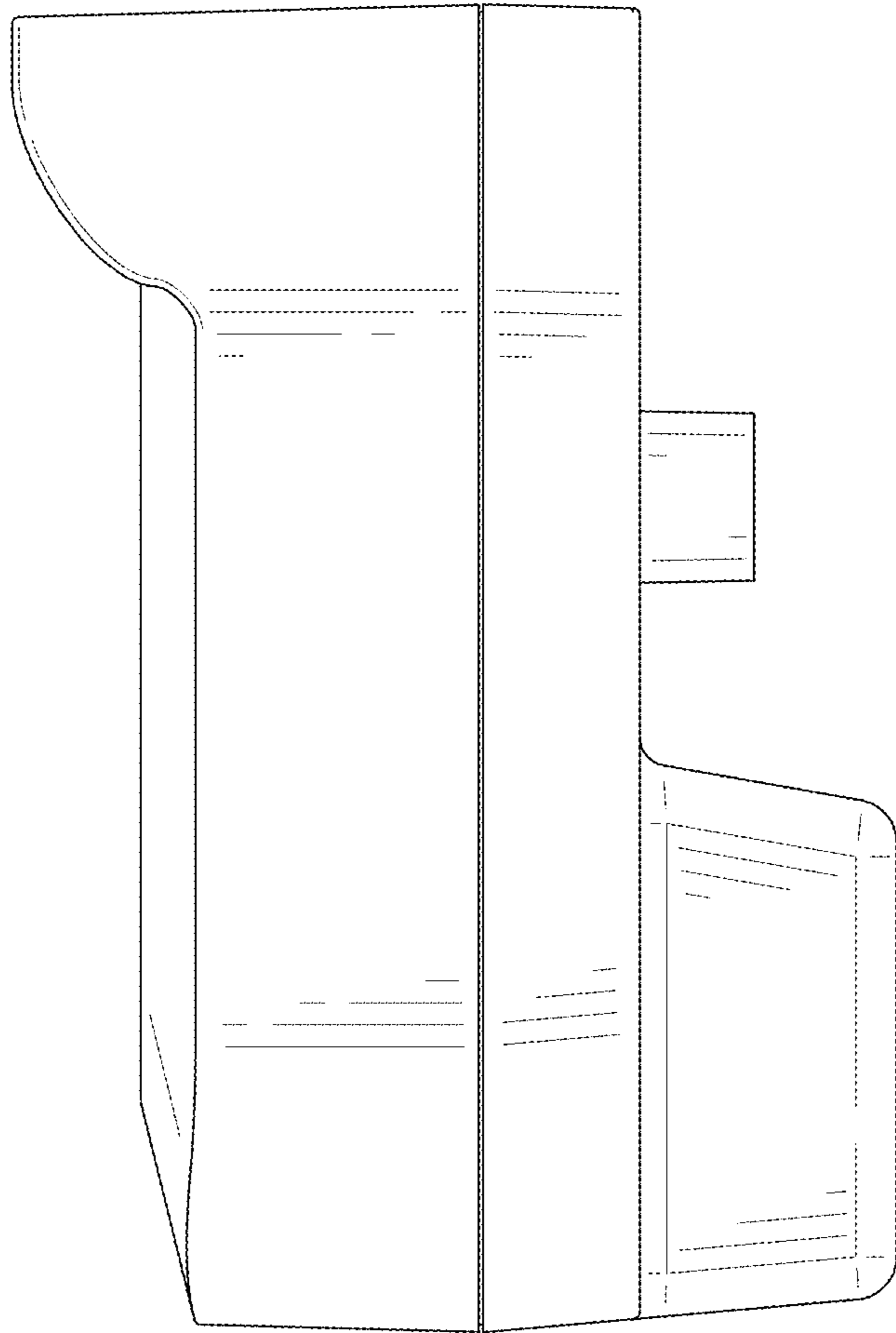


FIG. 6

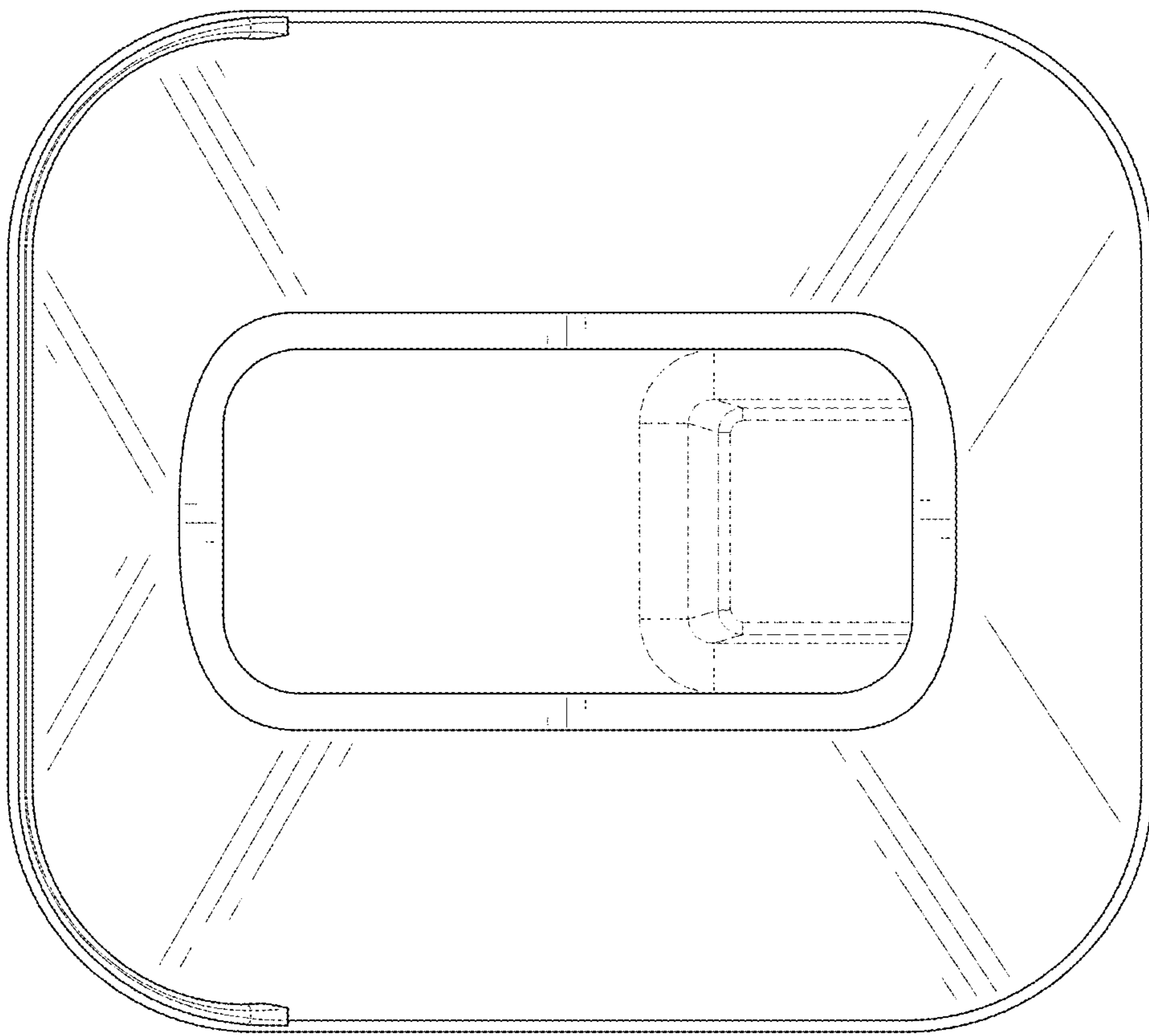


FIG. 7

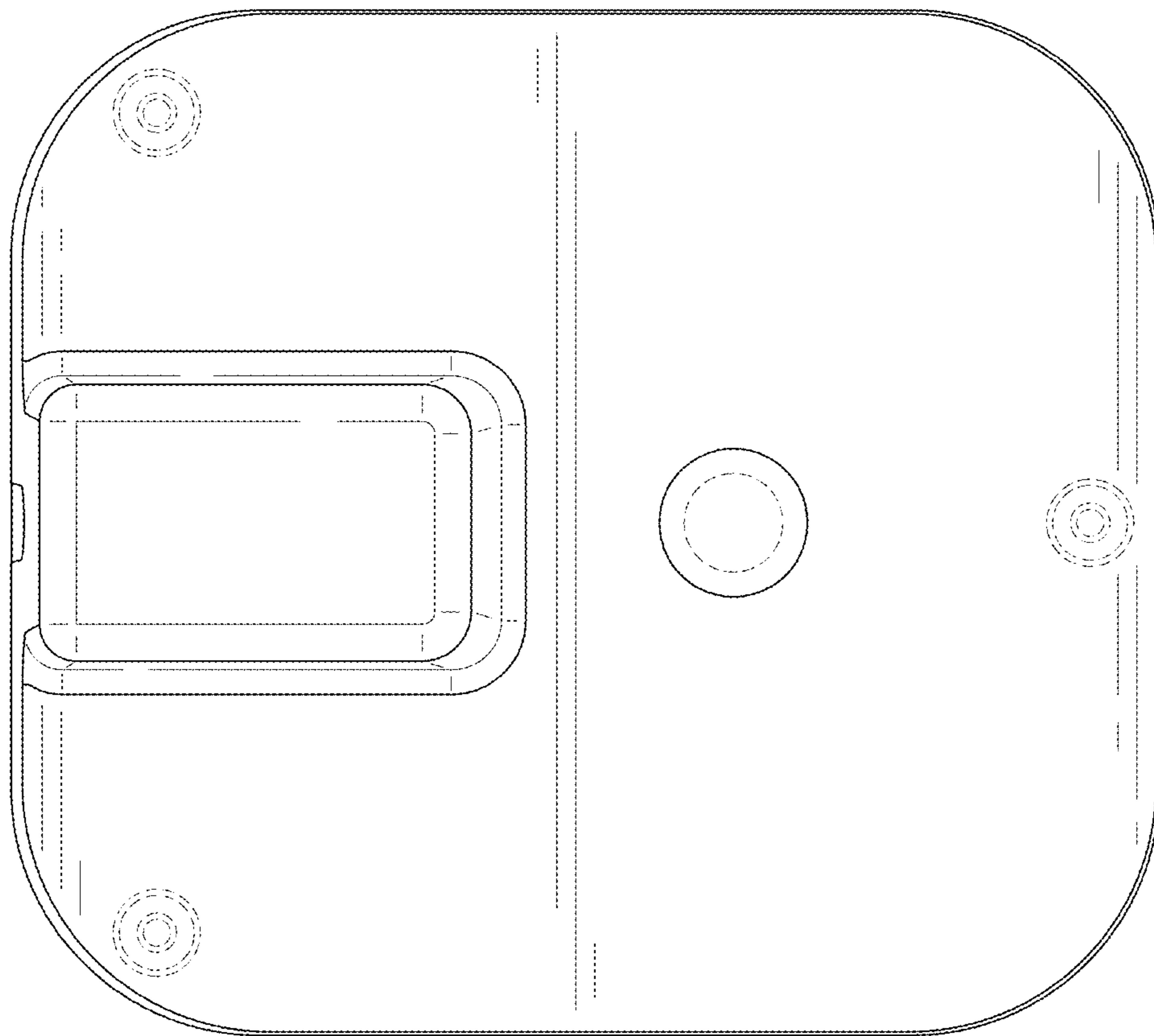


FIG. 8

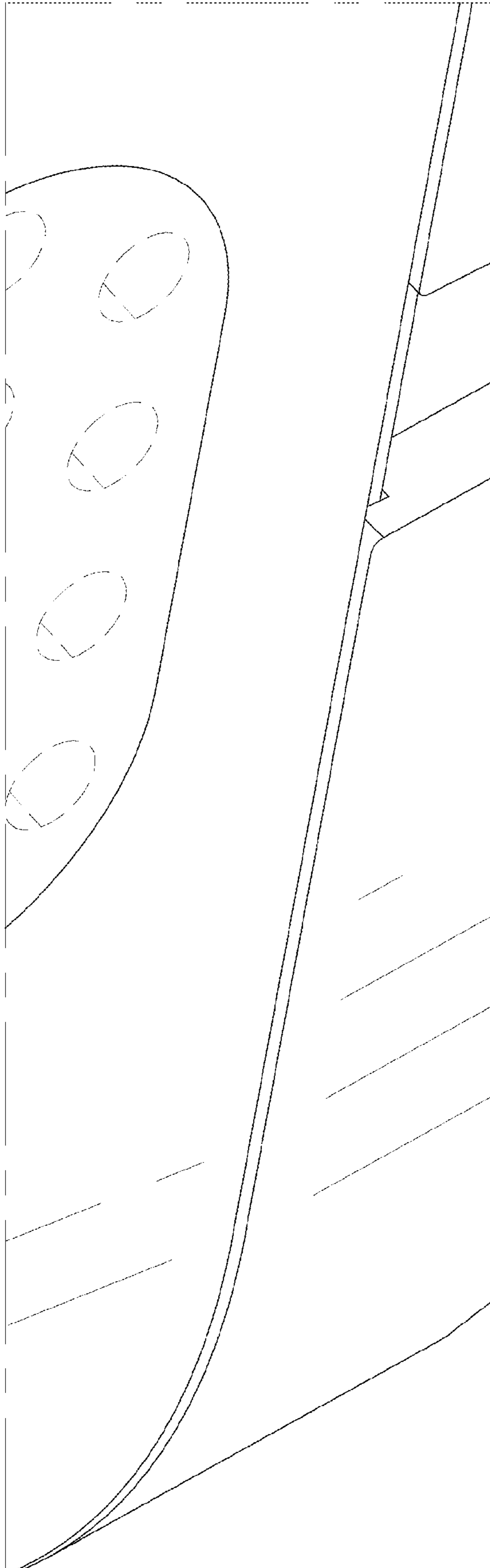


FIG. 9

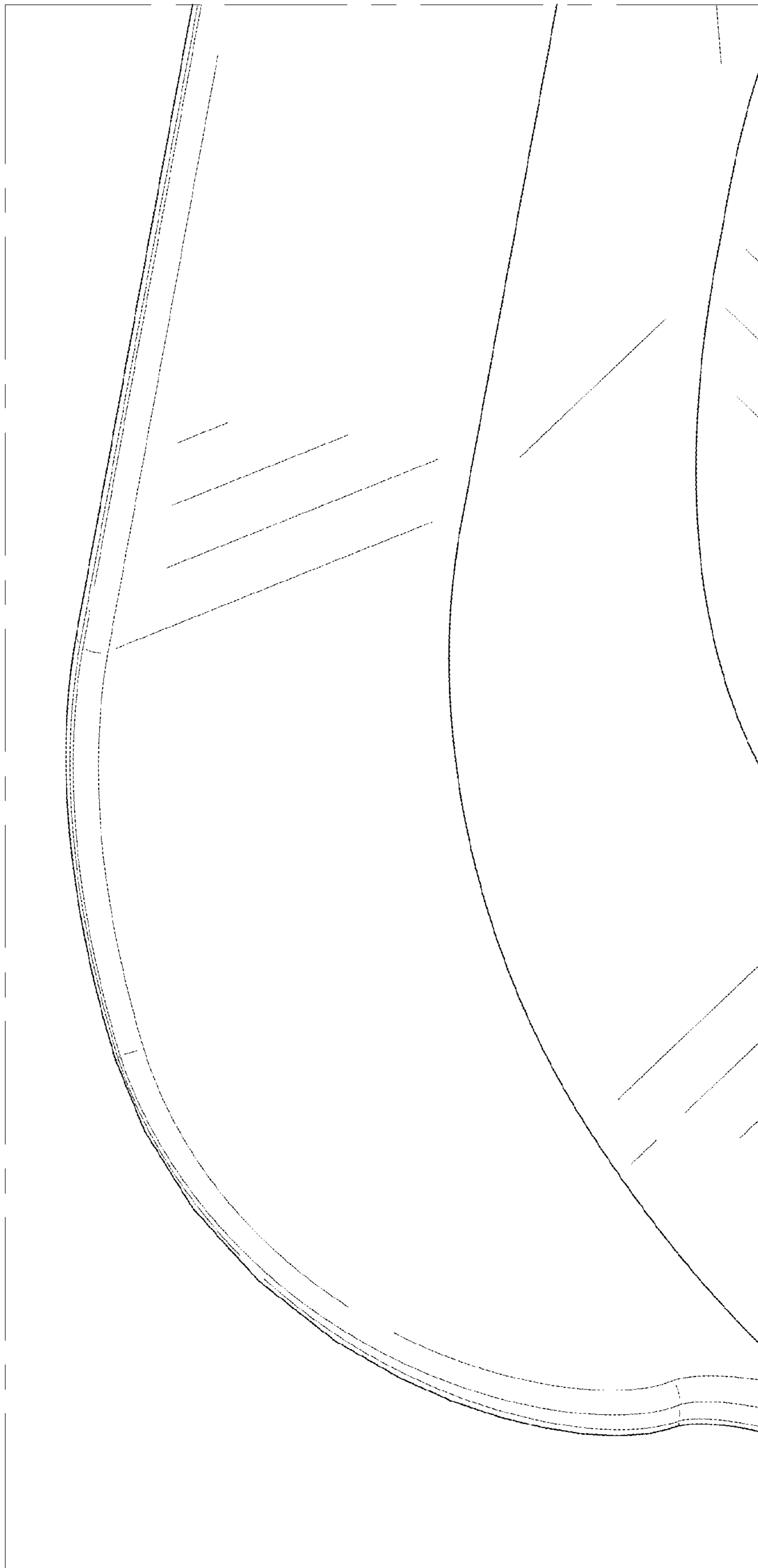


FIG. 10