

US00D872155S

(12) **United States Design Patent**
Diebold et al.

(10) **Patent No.:** **US D872,155 S**
(45) **Date of Patent:** **** Jan. 7, 2020**

(54) **OPTICAL ANALYSIS SYSTEM**

(71) Applicant: **Becton, Dickinson and Company,**
Franklin Lakes, NJ (US)
(72) Inventors: **Eric D. Diebold,** Menlo Park, CA (US);
Jorge Manzarraga, Sunnyvale, CA (US)
(73) Assignee: **BECTON, DICKINSON AND COMPANY,** Franklin Lakes, NJ (US)

(**) Term: **15 Years**

(21) Appl. No.: **29/638,542**

(22) Filed: **Feb. 27, 2018**

(51) **LOC (12) Cl.** **16-99**

(52) **U.S. Cl.**
USPC **D16/130**

(58) **Field of Classification Search**
USPC D16/100, 136, 245, 130; D13/133, 151;
D14/240, 251, 358, 432, 433
CPC A61B 1/00; A61B 3/00; A61B 5/00; H04N
1/00
See application file for complete search history.

(56) **References Cited**

U.S. PATENT DOCUMENTS

D144,508 S * 4/1946 Lynn 356/251
D218,196 S * 7/1970 Merino D16/130

D295,871 S * 5/1988 Charles D16/130
D310,381 S * 9/1990 Charles D16/130
D311,411 S * 10/1990 Sato D16/130
D325,782 S * 4/1992 Elie D16/130
D347,440 S * 5/1994 Holznagel D16/130
D352,049 S * 11/1994 Burr D16/130
D369,367 S * 4/1996 Tomita D16/130
D612,497 S * 3/2010 Berci D16/130
D692,472 S * 10/2013 Samuels D16/136

* cited by examiner

Primary Examiner — Mark A Goodwin

Assistant Examiner — Benjamin M Weeks

(74) *Attorney, Agent, or Firm* — Edward J. Baba; Bret E. Field; Bozicevic, Field & Francis LLP

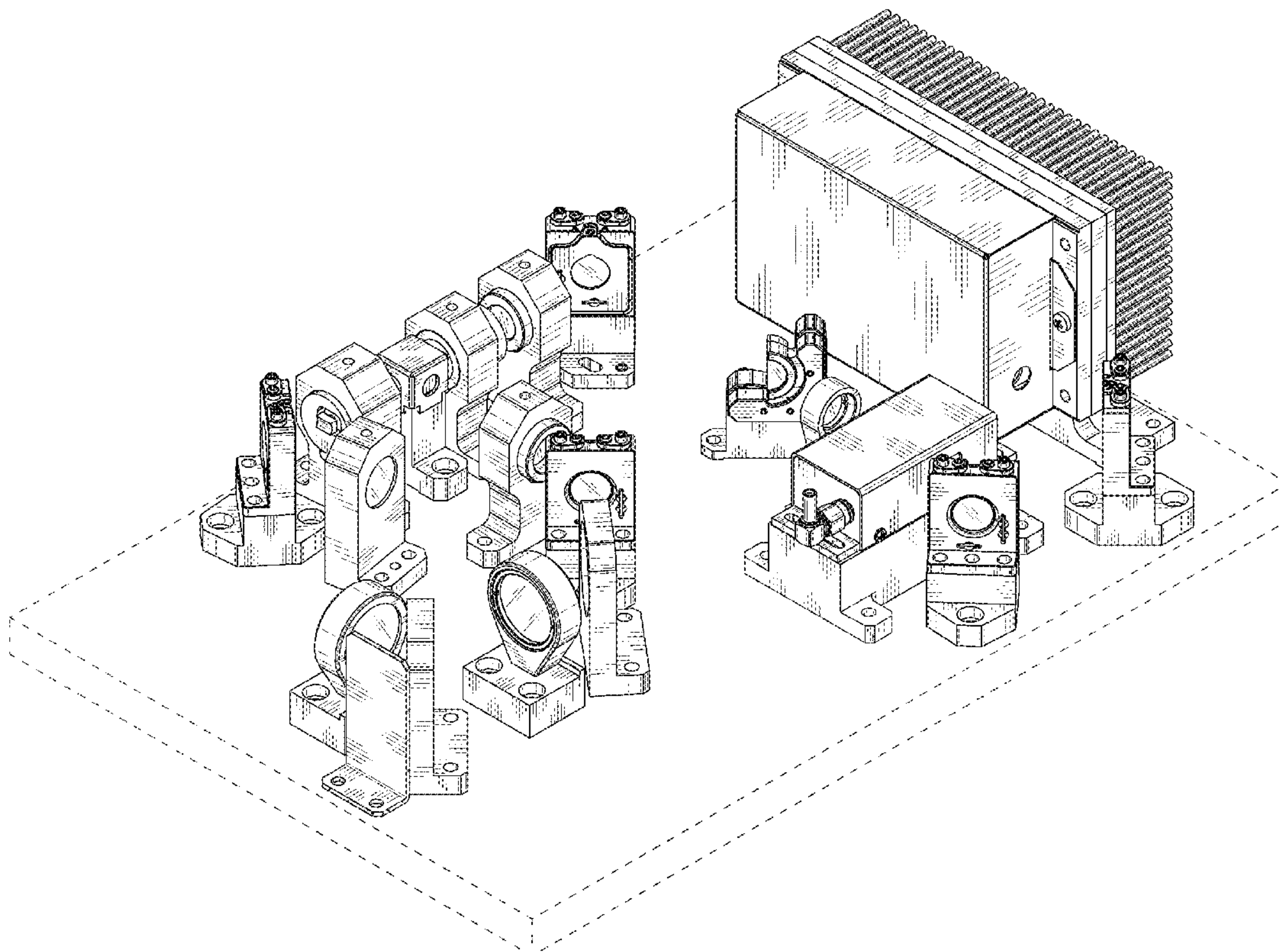
(57) **CLAIM**

The ornamental design for optical analysis system, as shown and described.

DESCRIPTION

FIG. 1 is a perspective view of an optical analysis system; FIG. 2 is a front view of the optical analysis system; FIG. 3 is a rear view of the optical analysis system; FIG. 4 is a first side view of the optical analysis system; FIG. 5 is a second side view of the optical analysis system; FIG. 6 is a top view of the optical analysis system; and, FIG. 7 is a bottom view of the optical analysis system. The broken lines depicted in the figures form no part of the claimed design.

1 Claim, 7 Drawing Sheets



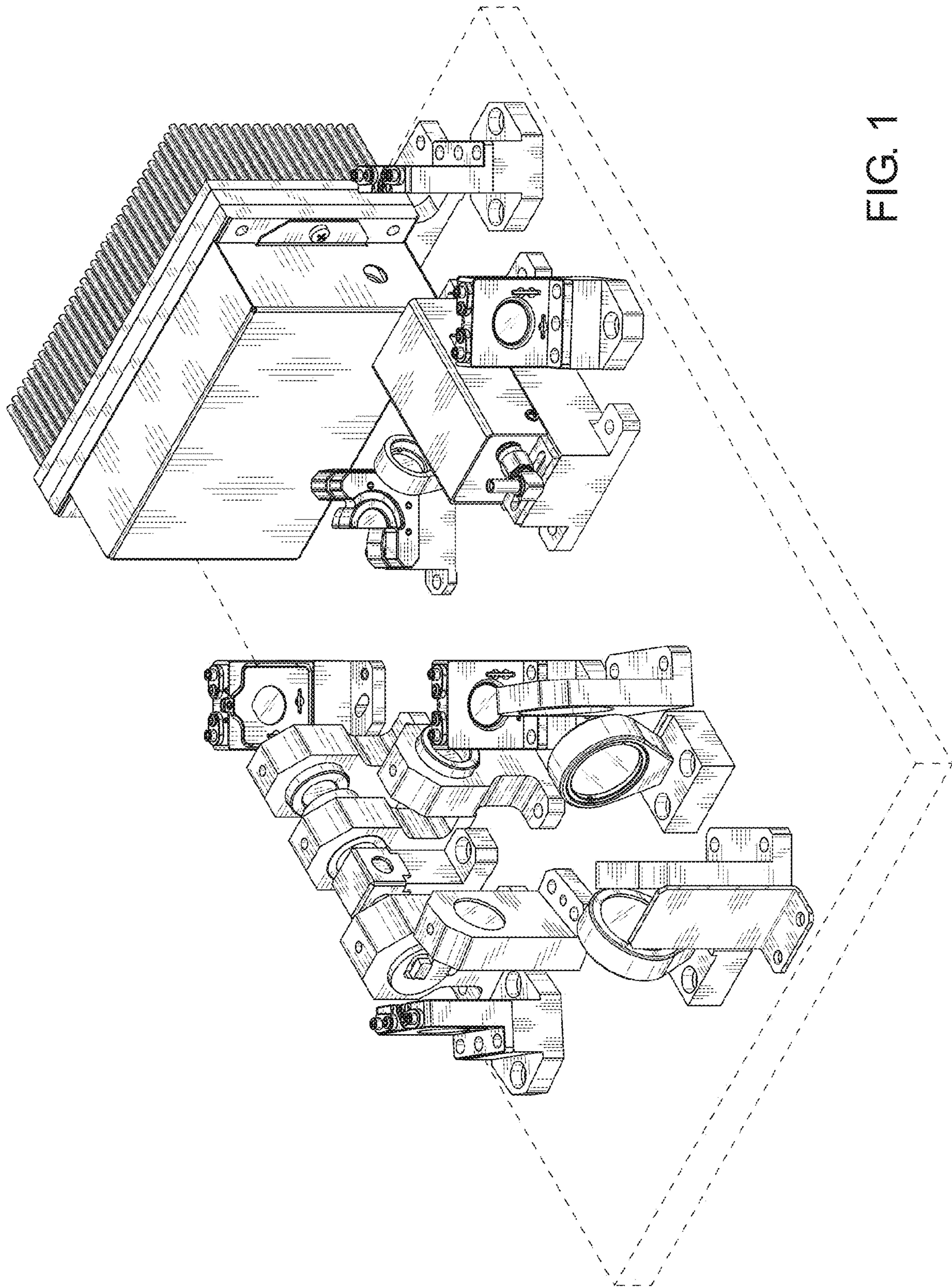


FIG. 1

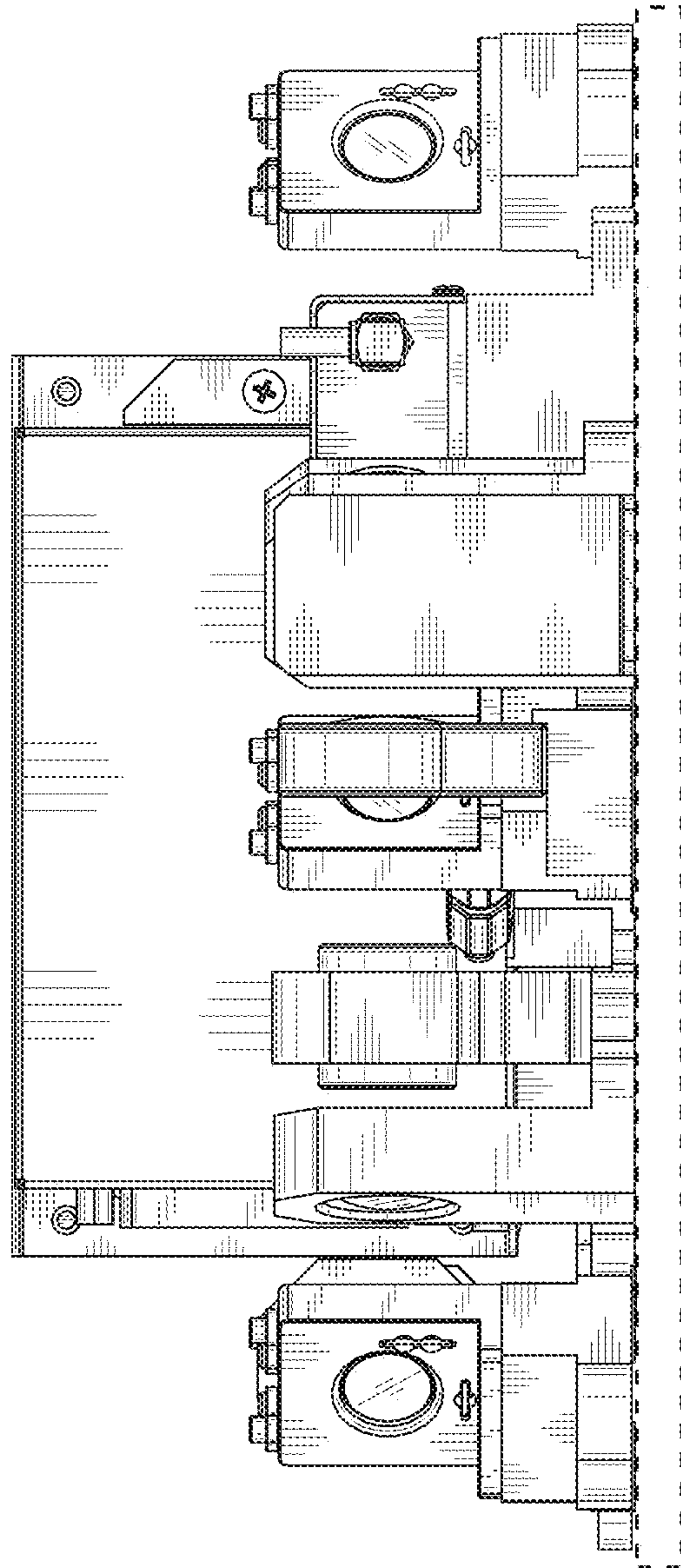


FIG. 2

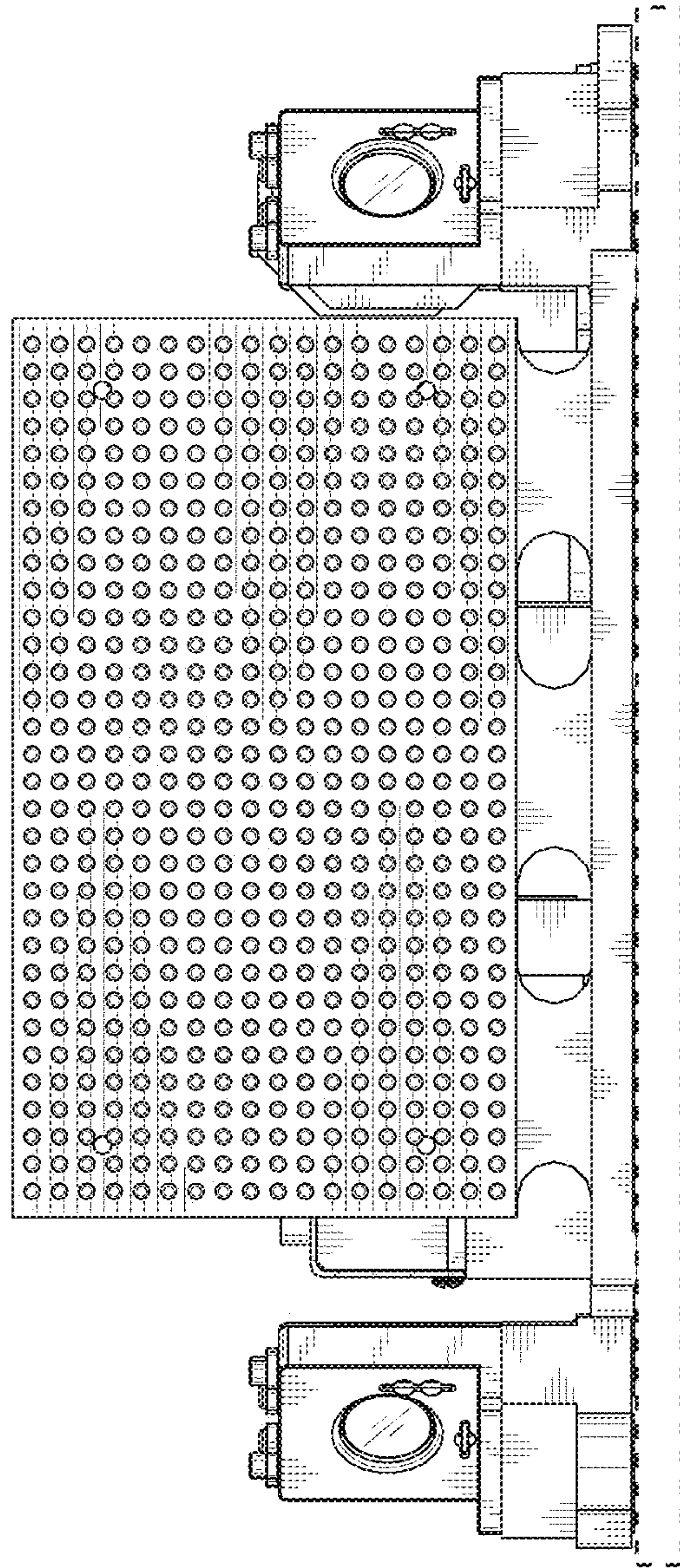


FIG. 3

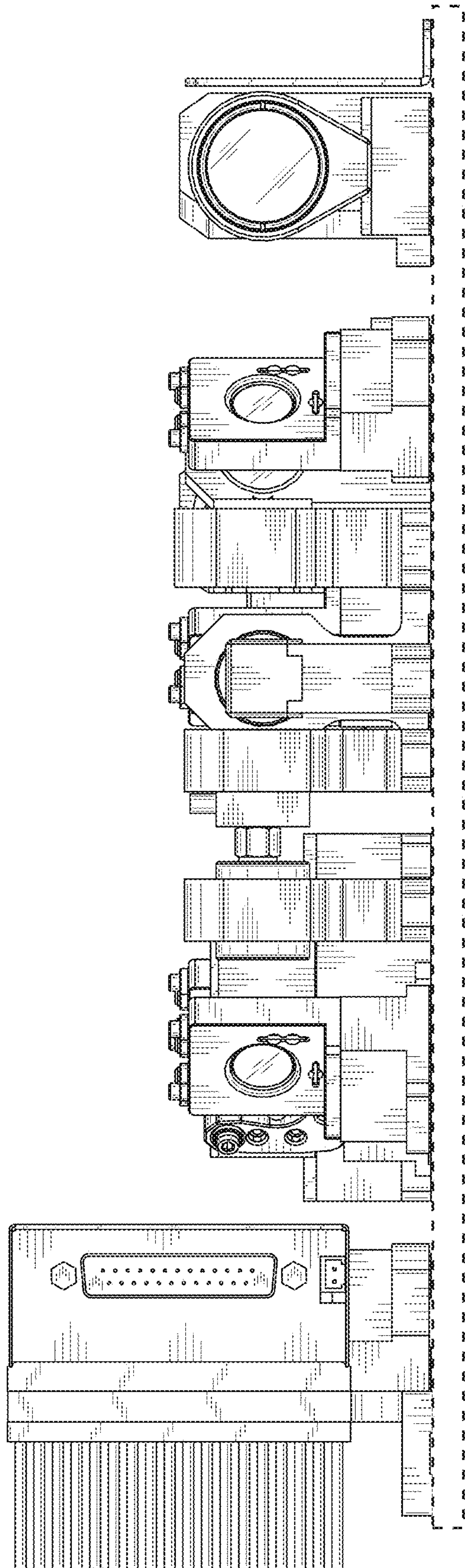


FIG. 4

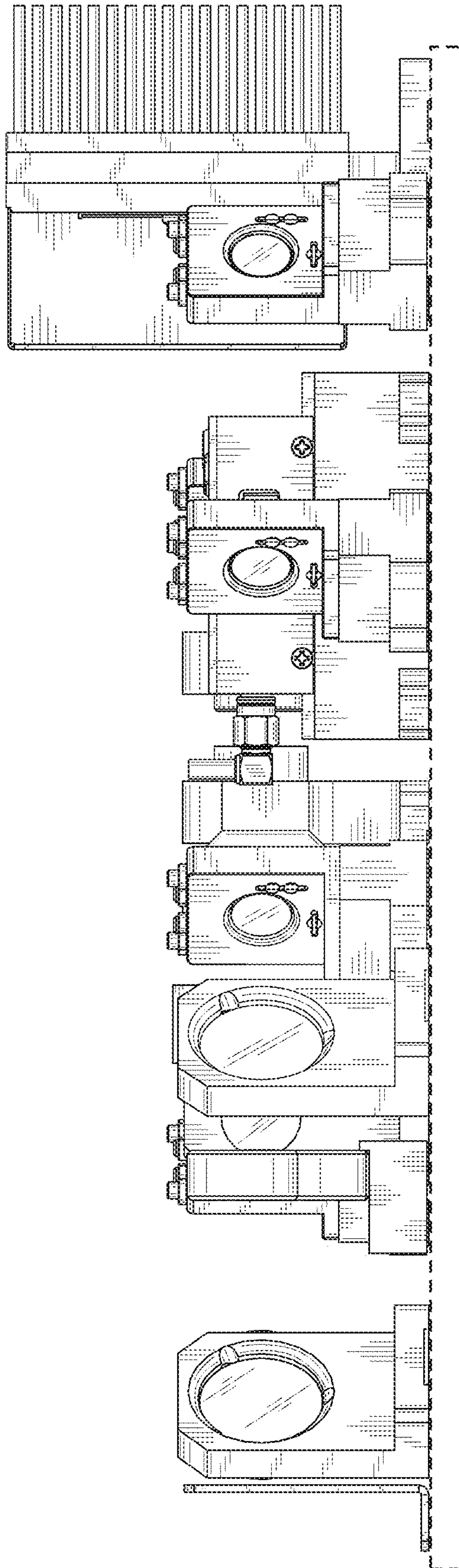


FIG. 5

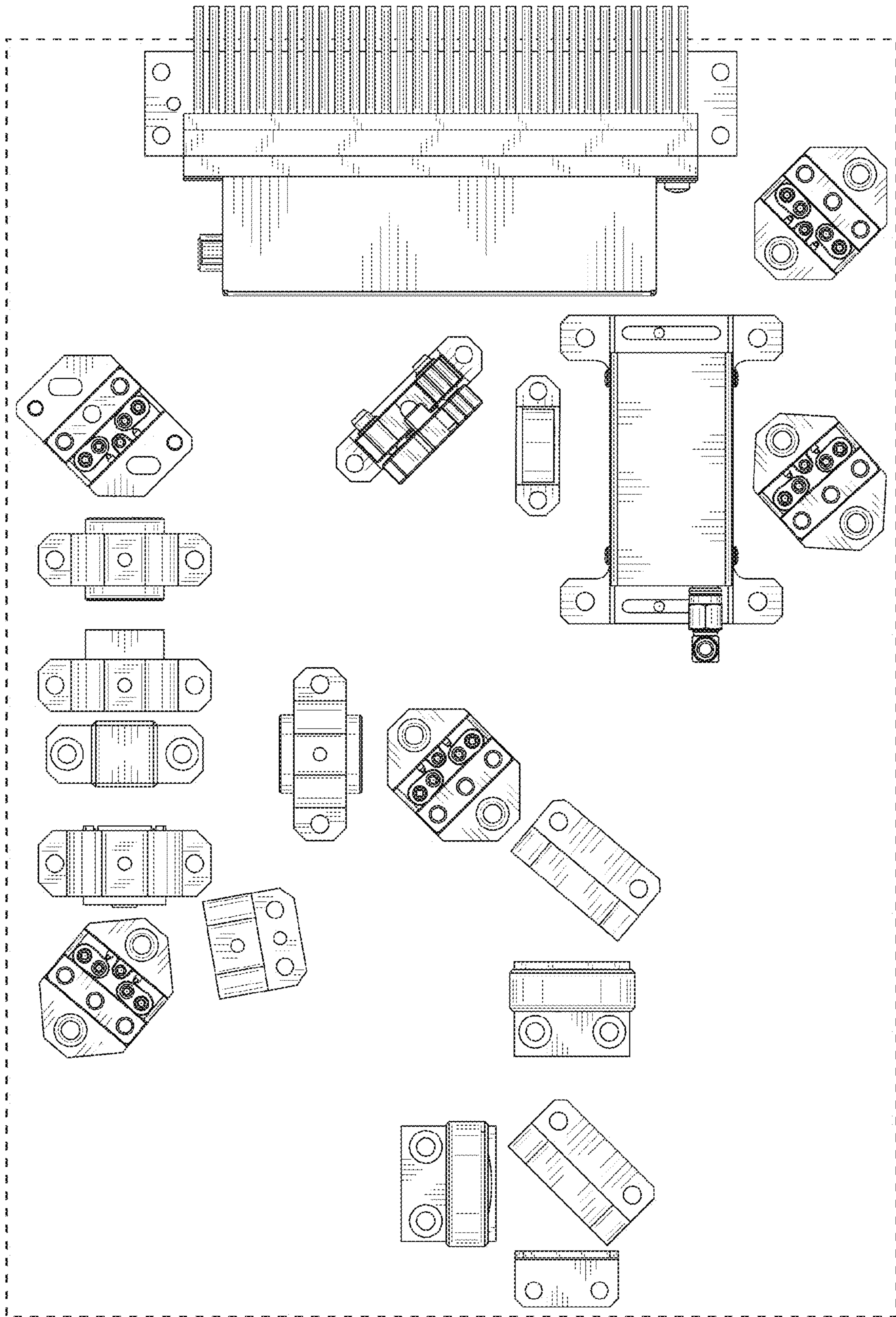


FIG. 6

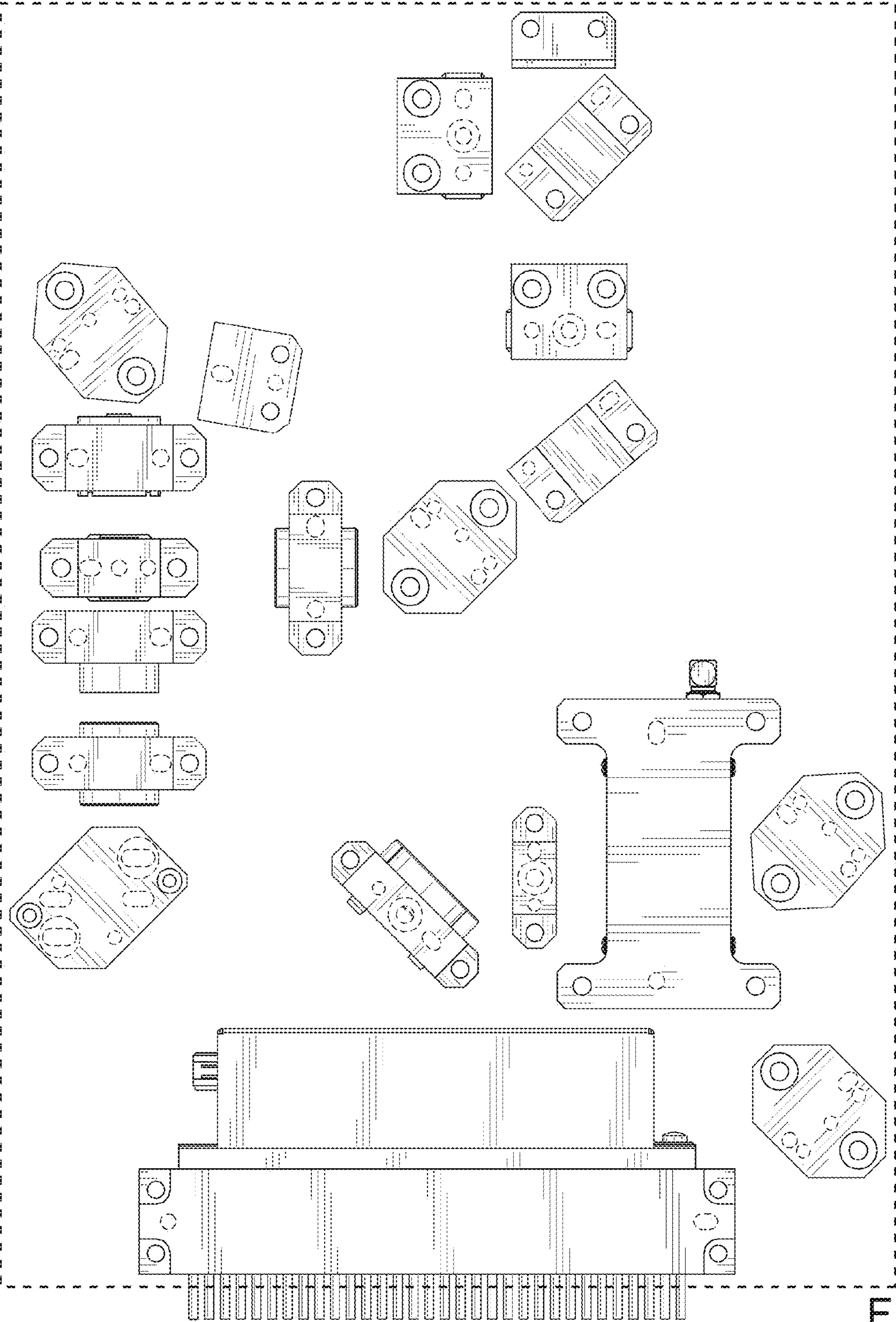


FIG. 7