



US00D872154S

(12) **United States Design Patent**
Diebold et al.

(10) **Patent No.:** **US D872,154 S**
(45) **Date of Patent:** **** Jan. 7, 2020**

- (54) **OPTICAL ANALYSIS SYSTEM**
- (71) Applicant: **Becton, Dickinson and Company**,
Franklin Lakes, NJ (US)
- (72) Inventors: **Eric D. Diebold**, Menlo Park, CA (US);
Jorge Manzarraga, Sunnyvale, CA
(US)
- (73) Assignee: **BECTON, DICKINSON AND
COMPANY**, Franklin Lakes, NJ (US)
- (**) Term: **15 Years**
- (21) Appl. No.: **29/638,541**
- (22) Filed: **Feb. 27, 2018**
- (51) **LOC (12) Cl.** **16-99**
- (52) **U.S. Cl.**
USPC **D16/130**
- (58) **Field of Classification Search**
USPC D16/100, 136, 245, 130; D13/133, 151;
D14/240, 251, 358, 432, 433
CPC A61B 1/00; A61B 3/00; A61B 5/00; H04N
1/00
See application file for complete search history.

D295,871 S *	5/1988	Charles	D16/130
D310,381 S *	9/1990	Charles	D16/130
D311,411 S *	10/1990	Sato	D16/130
D325,782 S *	4/1992	Elie	D16/130
D347,440 S *	5/1994	Holznagel	D16/130
D352,049 S *	11/1994	Burr	D16/130
D369,367 S *	4/1996	Tomita	D16/130
D612,497 S *	3/2010	Berci	D16/130
D692,472 S *	10/2013	Samuels	D16/136

* cited by examiner

Primary Examiner — Mark A Goodwin

Assistant Examiner — Benjamin M Weeks

(74) *Attorney, Agent, or Firm* — Edward J. Baba; Bret E. Field; Bozicevic, Field & Francis LLP

(57) **CLAIM**

The ornamental design for optical analysis system, as shown and described.

DESCRIPTION

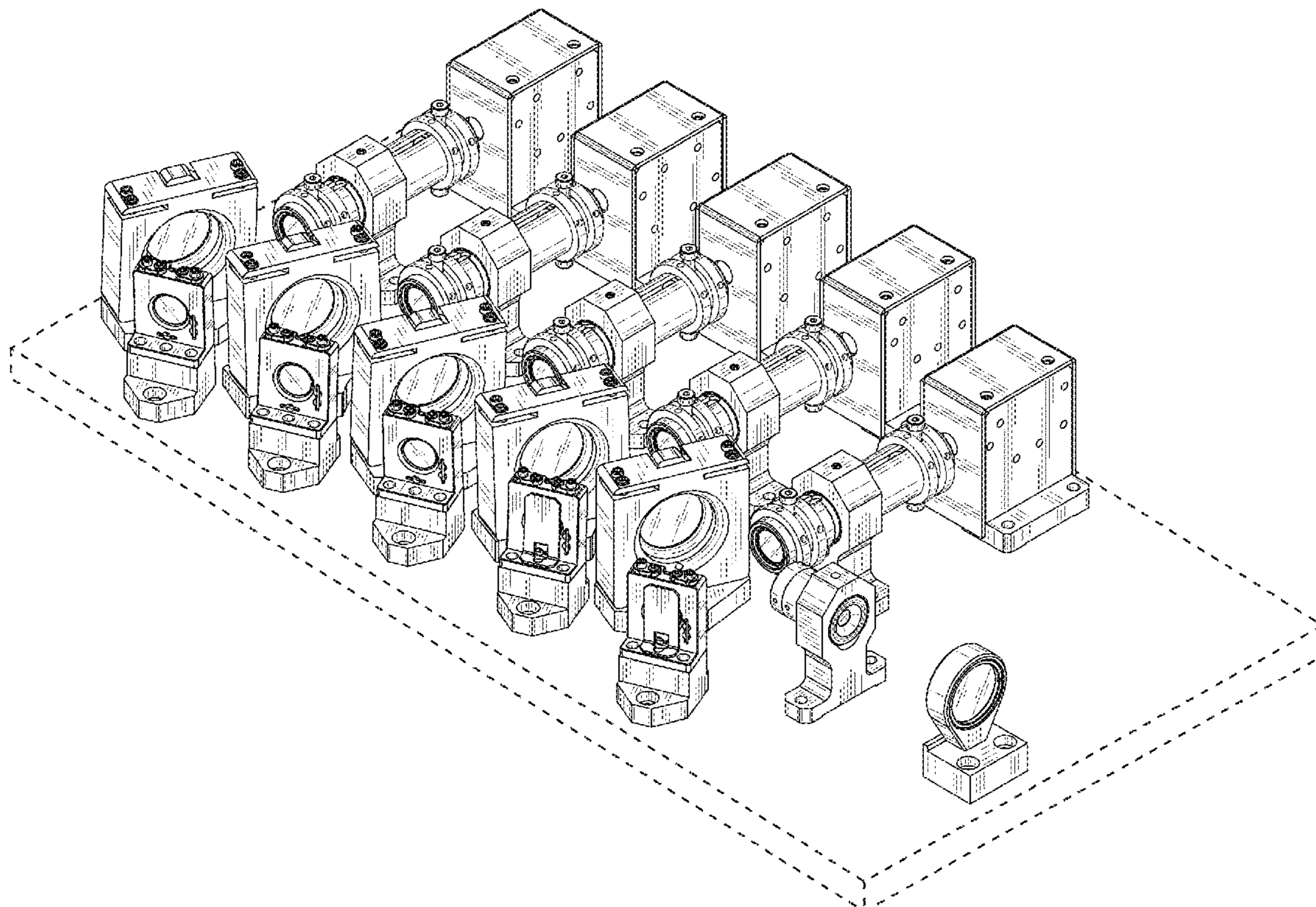
FIG. 1 is a perspective view of an optical analysis system; FIG. 2 is a front view of the optical analysis system; FIG. 3 is a rear view of the optical analysis system; FIG. 4 is a first side view of the optical analysis system; FIG. 5 is a second side view of the optical analysis system; FIG. 6 is a top view of the optical analysis system; and, FIG. 7 is a bottom view of the optical analysis system. The broken lines depicted in the figures form no part of the claimed design.

1 Claim, 7 Drawing Sheets

(56) **References Cited**

U.S. PATENT DOCUMENTS

D144,508 S *	4/1946	Lynn	356/251
D218,196 S *	7/1970	Merino	D16/130



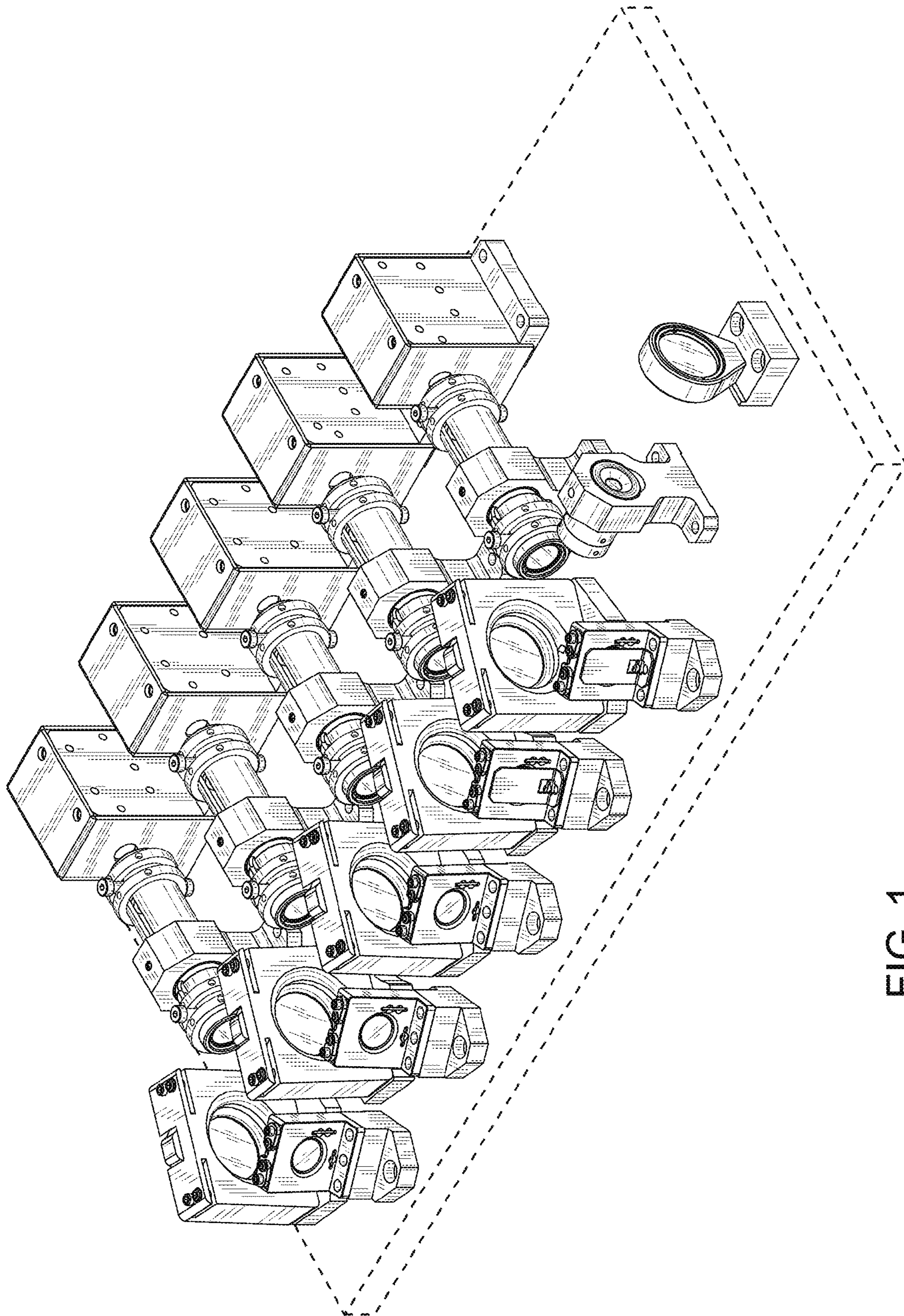


FIG. 1

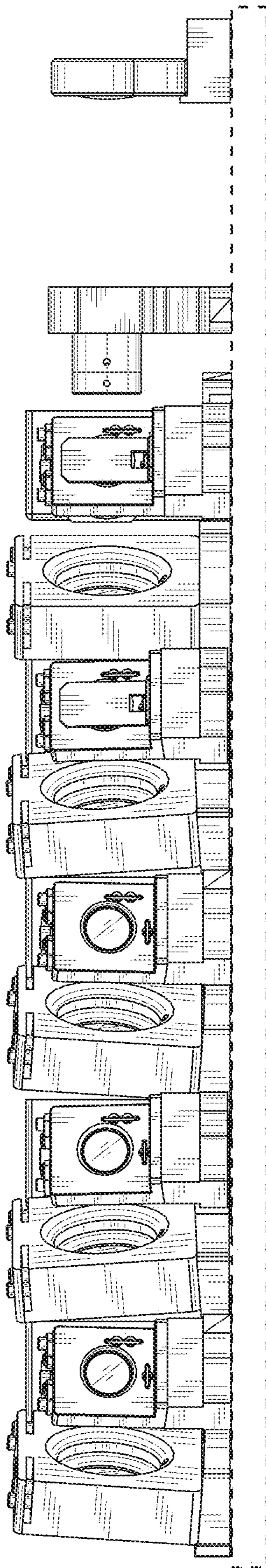


FIG. 2

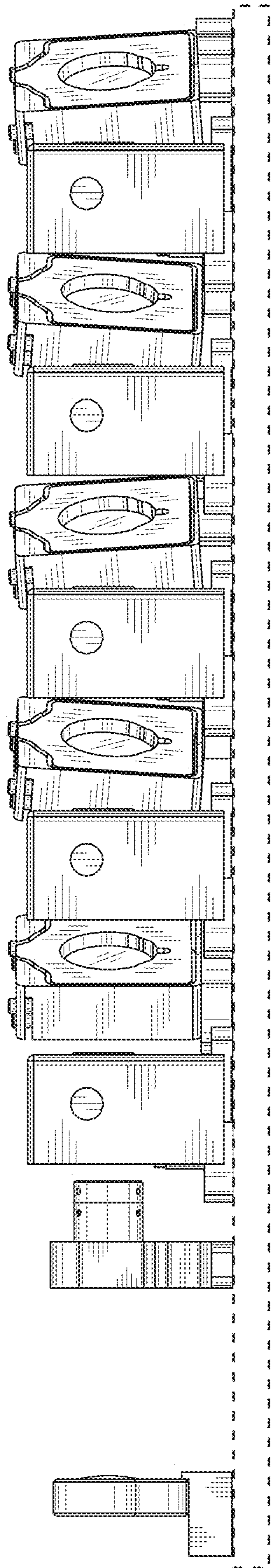


FIG. 3

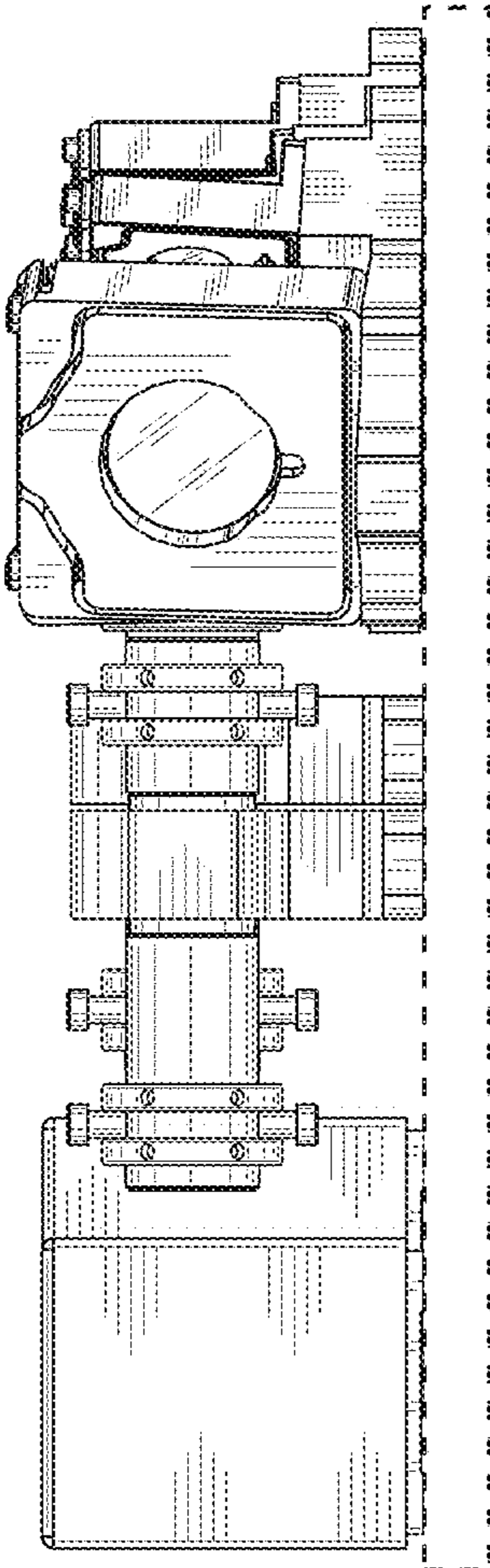


FIG. 4

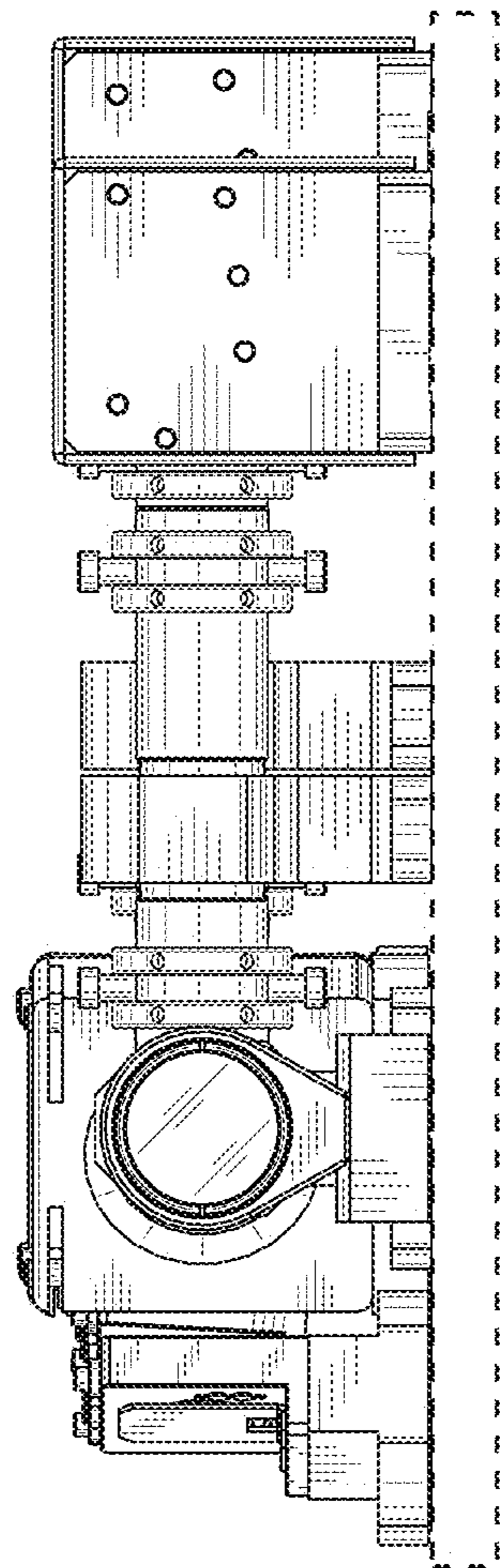


FIG. 5

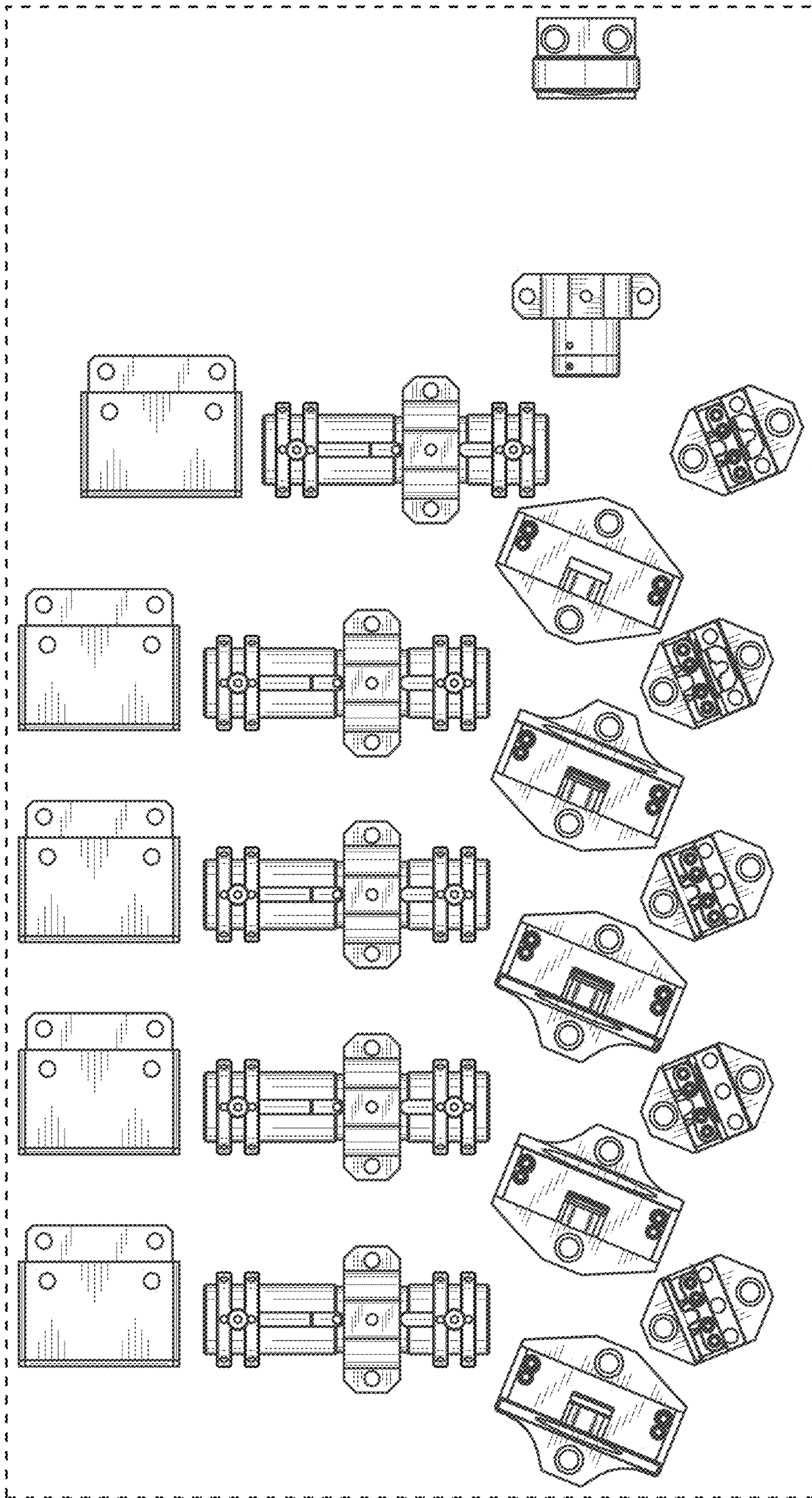


FIG. 6

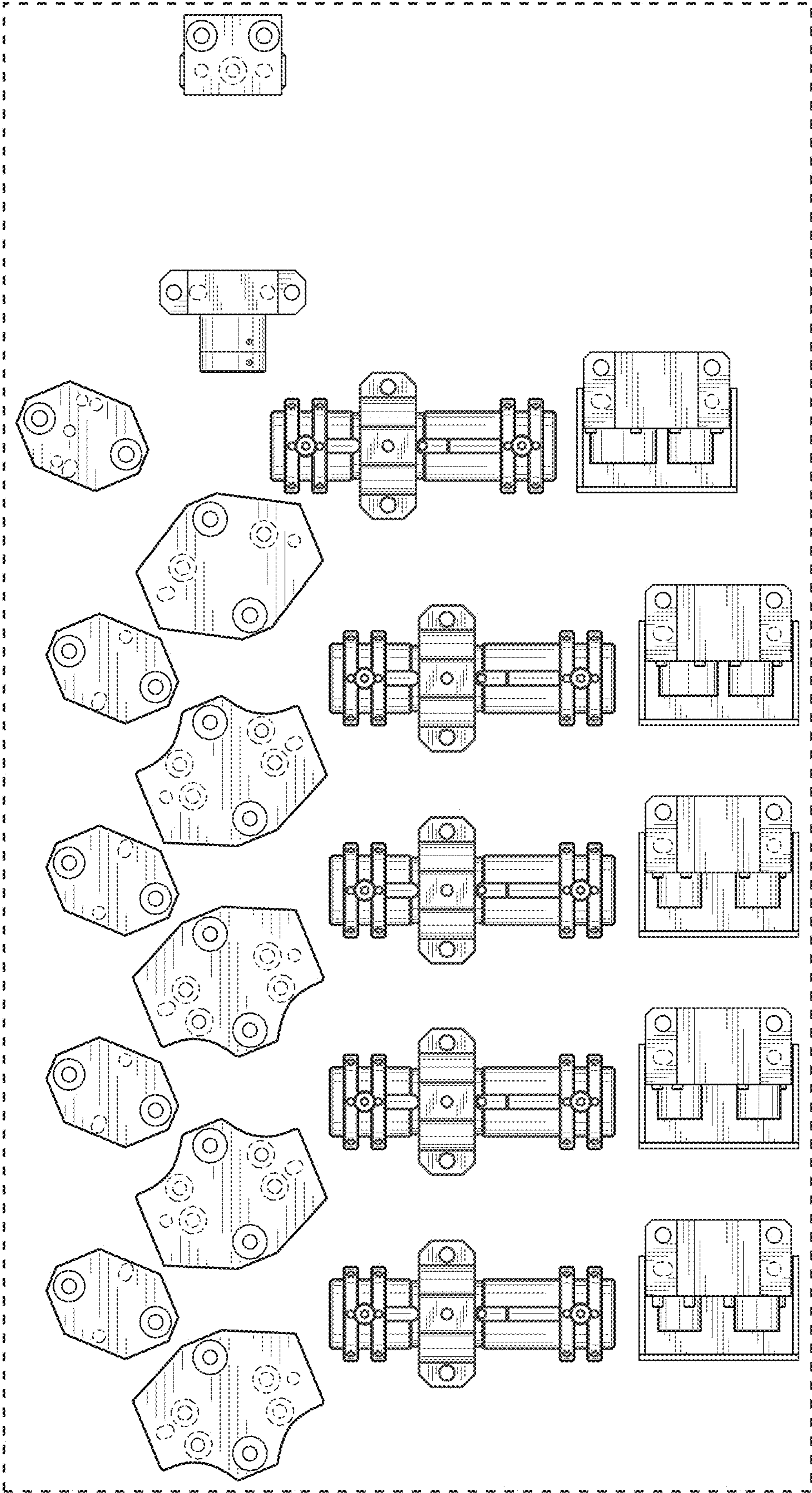


FIG. 7