



US00D872153S

(12) **United States Design Patent** (10) **Patent No.:** **US D872,153 S**
Preus et al. (45) **Date of Patent:** **** Jan. 7, 2020**

(54) **GARAGE DOOR OPENER** 3,764,874 A * 10/1973 Geoffrey E05F 15/41
318/266
(71) Applicant: **AC (Macao Commercial Offshore)** 4,064,404 A 12/1977 Willmott et al.
Limited, Macau (MO) 4,538,661 A 9/1985 Henry et al.
4,731,605 A * 3/1988 Nixon B60R 11/02
340/12.55
(72) Inventors: **Michael Preus, Greenville, SC (US);** 4,905,542 A * 3/1990 Burm E05F 15/668
Parke Pleasants, Anderson, SC (US); 104/120
J. Luke Jenkins, Anderson, SC (US); 5,357,183 A * 10/1994 Lin E05F 15/43
John Schaalje, Williamson, SC (US); 318/266
Taku Ohi, Greer, SC (US); Steven 5,522,638 A * 6/1996 Falcoff B60R 7/04
Westover, Anderson, SC (US); C. Eric 224/282
Lagman, Anderson, SC (US)
(Continued)

(73) Assignee: **TTI (MACAO COMMERCIAL OFFSHORE) LIMITED, Macau (MO)**

FOREIGN PATENT DOCUMENTS
EP 1790814 5/2007
WO 0193220 12/2001
(Continued)

(**) Term: **15 Years**

(21) Appl. No.: **29/680,647**

Primary Examiner — Patricia A Palasik
(74) *Attorney, Agent, or Firm* — Michael Best & Friedrich LLP

(22) Filed: **Feb. 19, 2019**

Related U.S. Application Data

(62) Division of application No. 29/560,842, filed on Apr. 11, 2016.

(51) **LOC (12) Cl.** **15-99**

(52) **U.S. Cl.**
USPC **D15/199; D13/168**

(58) **Field of Classification Search**
USPC D13/168; D15/199
CPC E05F 13/04; E05F 15/63; E05F 15/668;
E05Y 2900/106; G07C 2009/00793;
G07C 2009/00928; G07C 2009/00984;
G07C 9/00944
See application file for complete search history.

(56) **References Cited**

U.S. PATENT DOCUMENTS

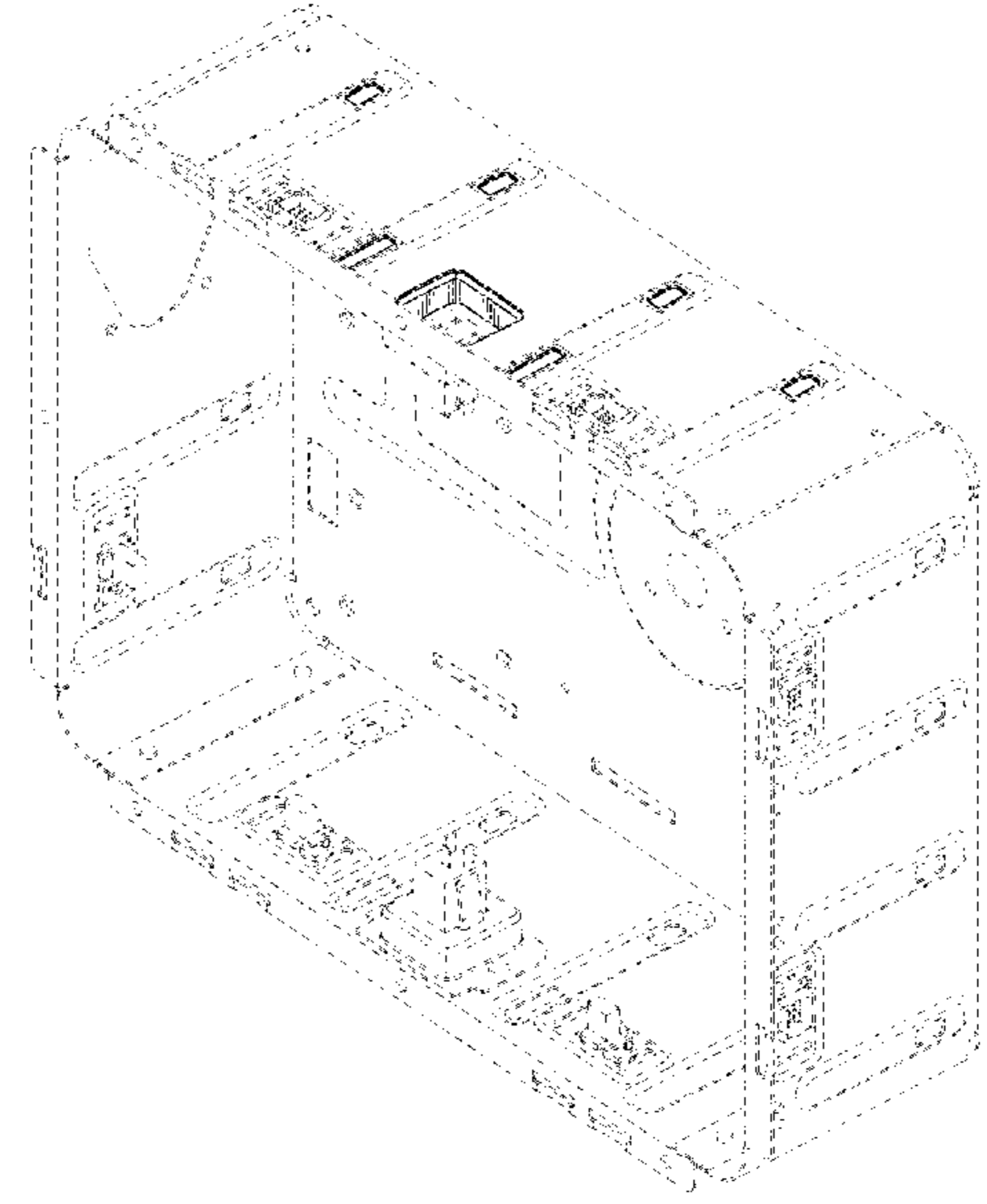
D221,226 S * 7/1971 Dercoli D13/112
D221,859 S * 9/1971 Dercoli D13/112

(57) **CLAIM**
The ornamental design for a garage door opener, as shown and described.

DESCRIPTION

FIG. 1 is a first perspective view of a garage door opener. FIG. 2 is a second perspective view of the garage door opener of FIG. 1; and, FIG. 3 is a side view of the garage door opener of FIG. 1. The portions of the garage door opener shown in broken lines are included for the purpose of illustrating portions of the garage door opener which form no part of the claimed design. The portions of the garage door opener shown in broken lines having dash dot dash segments illustrate the boundary of the claimed design and form no part of the claimed design.

1 Claim, 3 Drawing Sheets



(56)

References Cited

U.S. PATENT DOCUMENTS

5,589,747 A 12/1996 Utke
 D402,300 S * 12/1998 Doppelt D15/199
 5,872,513 A * 2/1999 Fitzgibbon E05B 43/005
 235/382
 5,887,929 A * 3/1999 Miller B60R 7/04
 296/37.7
 D413,579 S * 9/1999 Mullet D13/168
 D413,867 S * 9/1999 Mullet D13/162
 6,002,346 A 12/1999 Bowden et al.
 6,027,148 A 2/2000 Shoemaker
 6,089,626 A 7/2000 Shoemaker
 6,124,822 A 9/2000 Wu
 6,191,706 B1 2/2001 Kositkun
 6,218,962 B1 4/2001 Fiene
 6,310,548 B1 10/2001 Stephens, Jr. et al.
 6,469,464 B1 10/2002 McCall
 D473,574 S * 4/2003 Mullet D15/199
 D474,215 S * 5/2003 Mullet D15/199
 D478,605 S * 8/2003 Guzman D13/168
 6,683,431 B2 1/2004 Fitzgibbon et al.
 D486,506 S * 2/2004 Bian D15/148
 D492,333 S * 6/2004 Guzman D15/148
 6,911,898 B2 6/2005 Chung
 6,946,973 B1 9/2005 Yanda
 6,975,203 B2 12/2005 Brookbank et al.
 6,989,760 B2 1/2006 Dierking et al.
 7,057,547 B2 6/2006 Olmsted et al.
 7,098,411 B1 * 8/2006 McConnell H01H 13/83
 200/310
 7,145,470 B2 12/2006 Hoermann
 7,194,412 B2 3/2007 Mays
 7,265,508 B1 9/2007 Karasek et al.

7,683,794 B2 3/2010 Contreras
 7,688,014 B2 3/2010 Tang et al.
 7,996,231 B2 8/2011 Mays
 8,077,054 B1 12/2011 Aarons
 8,330,570 B2 12/2012 Martin
 8,330,573 B2 12/2012 Cruces
 8,542,093 B2 9/2013 Rodriguez et al.
 8,766,768 B2 7/2014 Martin
 8,786,435 B2 7/2014 Barnett et al.
 8,810,433 B1 8/2014 Aarons
 8,866,583 B2 10/2014 Ordaz
 2002/0140576 A1 10/2002 Simon
 2002/0164158 A1 * 11/2002 Hoermann G07C 9/00944
 388/835
 2003/0160705 A1 8/2003 Guetz
 2007/0235149 A1 10/2007 Hillar et al.
 2008/0079570 A1 4/2008 Fineman et al.
 2009/0313898 A1 12/2009 Manaras
 2010/0058669 A1 3/2010 Cole
 2011/0199234 A1 8/2011 Butler, III et al.
 2013/0081329 A1 4/2013 French et al.
 2014/0007505 A1 1/2014 Manaras
 2014/0259927 A1 9/2014 McNally, II
 2015/0013229 A1 * 1/2015 Shalom E05F 15/668
 49/199
 2016/0037664 A1 * 2/2016 Hendricks G07C 9/00182
 361/814
 2017/0294113 A1 * 10/2017 McNabb G08C 17/02

FOREIGN PATENT DOCUMENTS

WO 2007047720 4/2007
 WO 2012171756 12/2012

* cited by examiner

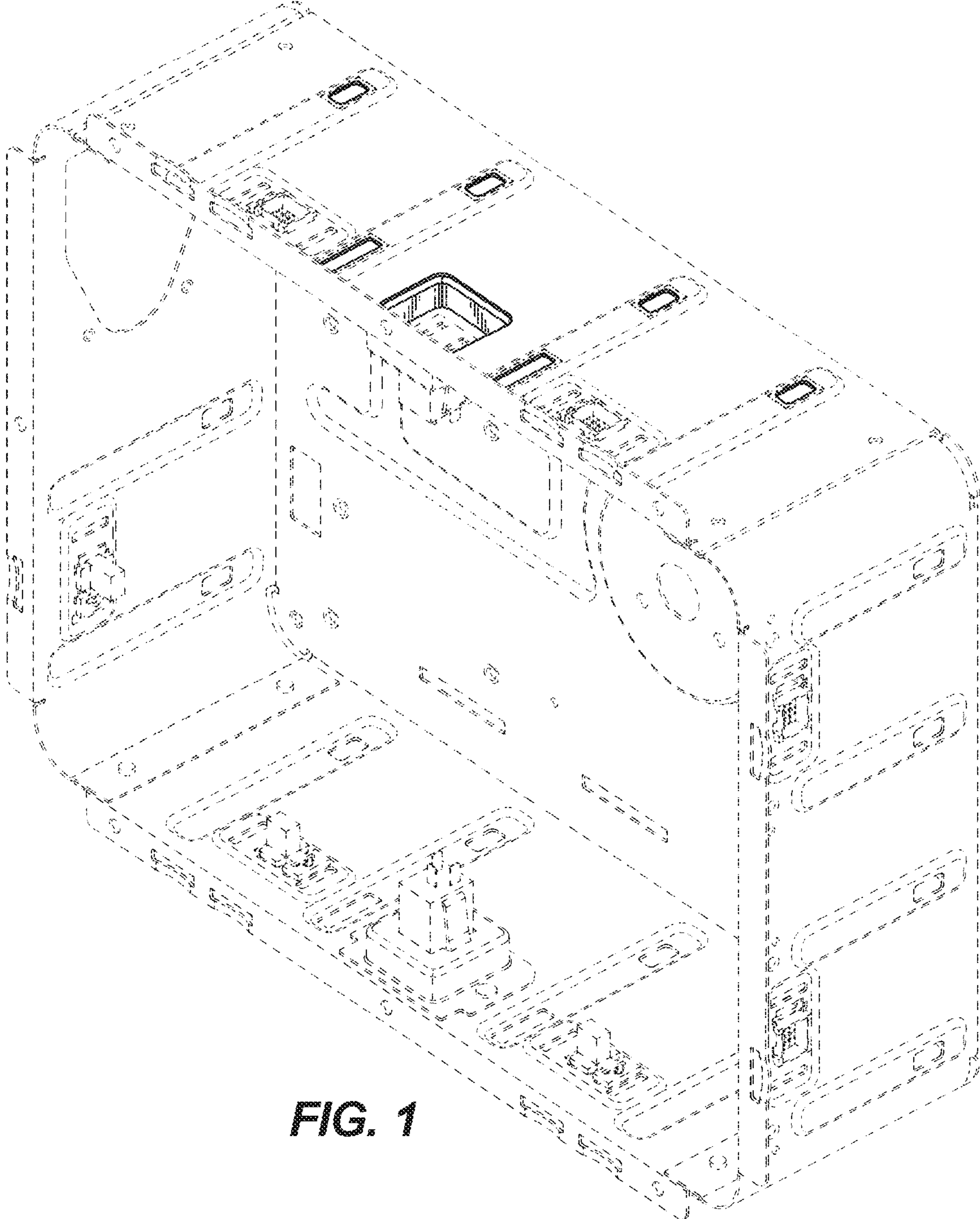


FIG. 1

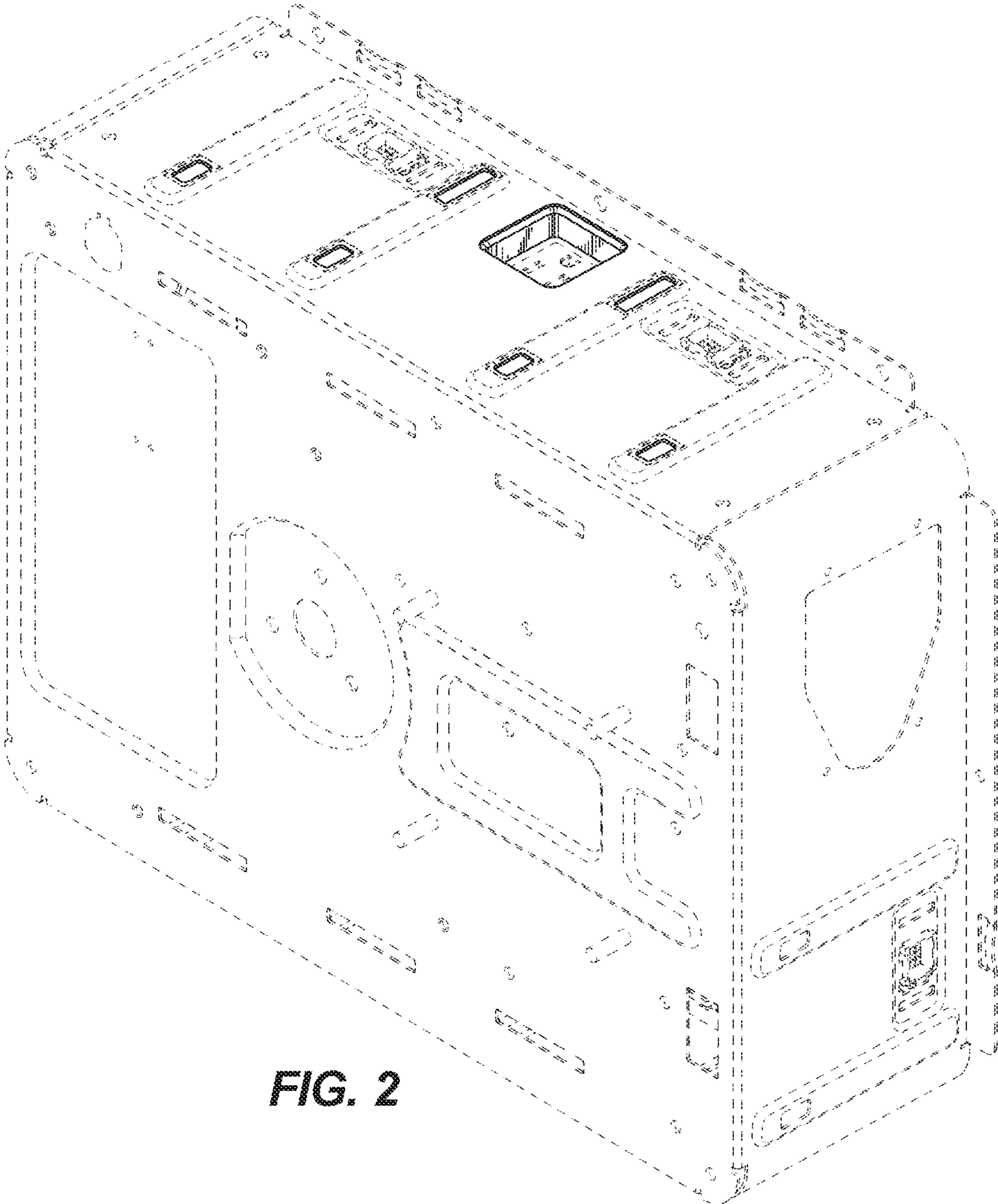


FIG. 2

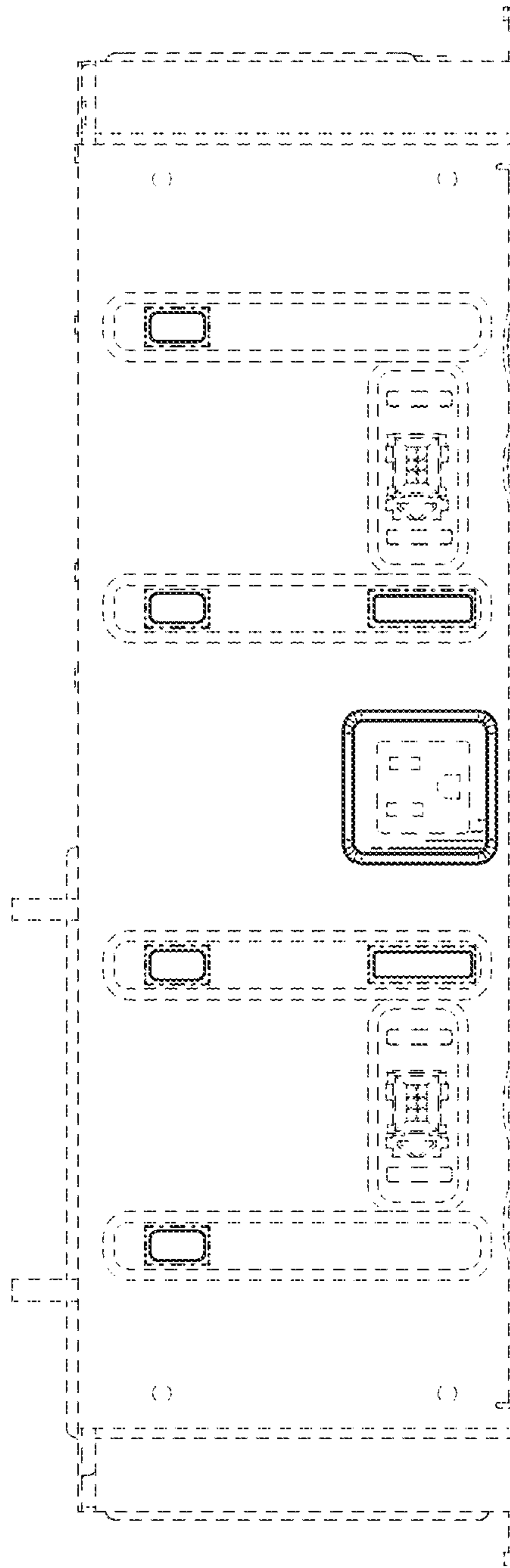


FIG. 3