



US00D872150S

(12) **United States Design Patent**
Abel et al.

(10) **Patent No.:** **US D872,150 S**
(45) **Date of Patent:** **** Jan. 7, 2020**

(54) **MOVABLE BARRIER OPERATOR DEVICE**

(71) Applicant: **The Chamberlain Group, Inc.**, Oak Brook, IL (US)

(72) Inventors: **Jeremy Abel**, Oswego, IL (US); **Matthew James Baer**, Forest Park, IL (US); **Mark Edward Miller**, Woodridge, IL (US); **Sapta Gireesh Pudipeddi**, Schaumburg, IL (US)

(73) Assignee: **The Chamberlain Group, Inc.**, Oak Brook, IL (US)

(**) Term: **15 Years**

(21) Appl. No.: **29/664,084**

(22) Filed: **Sep. 21, 2018**

(51) **LOC (12) Cl.** **15-09**

(52) **U.S. Cl.**
USPC **D15/148**; D15/199; D13/168

(58) **Field of Classification Search**
USPC D13/168, 184, 199; D14/218; D15/148, D15/199; D10/104.1

CPC E05F 15/43; E05F 15/60; E05F 15/668; E05F 15/68; G07C 9/00896; H05K 5/0221

See application file for complete search history.

(56) **References Cited**

U.S. PATENT DOCUMENTS

D221,226 S	7/1971	Dercoli
D221,859 S	9/1971	Dercoli
4,463,292 A	7/1984	Engelmann
D292,792 S	11/1987	Henry
4,827,667 A	5/1989	Jarvis
D335,875 S	5/1993	Chen
5,357,183 A	10/1994	Lin
D377,459 S	1/1997	Dziersk
D386,163 S	11/1997	Cheng

D402,300 S	12/1998	Ergun
D404,746 S	1/1999	Hormann
5,903,226 A	5/1999	Suman
D413,055 S	8/1999	Mullet
D421,031 S	2/2000	Mullet
D432,551 S	10/2000	Luke
D434,054 S	11/2000	Luke
D434,785 S	12/2000	Luke
D436,877 S	1/2001	Brennan
D440,043 S	4/2001	Miller
D450,701 S	11/2001	Koeller
6,374,543 B1	4/2002	Bishai
6,377,173 B1	4/2002	Desai
D463,466 S	9/2002	Hoemann
D466,141 S	11/2002	Mullet
D468,756 S	1/2003	Coullahan
D469,114 S	1/2003	Coullahan
D469,115 S	1/2003	Coullahan

(Continued)

Primary Examiner — Selina Sikder

(74) *Attorney, Agent, or Firm* — Fitch, Even, Tabin & Flannery LLP

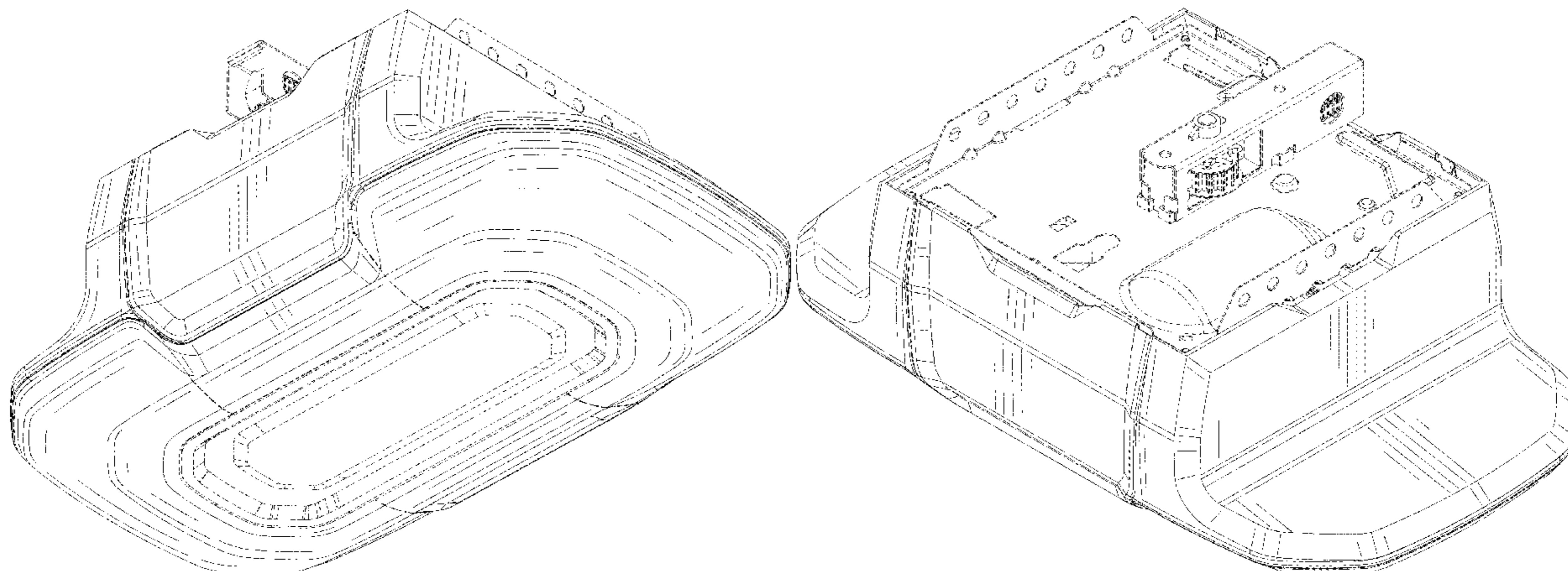
(57) **CLAIM**

We claim the ornamental design for movable barrier operator device, as shown and described.

DESCRIPTION

FIG. 1 is a bottom perspective view of the movable barrier operator device showing our new design; FIG. 2 is a top perspective view thereof; FIG. 3 is a front elevation view thereof; FIG. 4 is a rear elevation view thereof; FIG. 5 is a bottom plan view thereof; FIG. 6 is a top plan view thereof; FIG. 7 is a right side elevation view thereof; and, FIG. 8 is a left side elevation view thereof. The broken lines in the drawings depict portions of the movable barrier operator device that form no part of the claimed design.

1 Claim, 8 Drawing Sheets



(56)

References Cited

U.S. PATENT DOCUMENTS

6,525,645 B2	2/2003	King	D581,437 S	11/2008	Randazzo	
6,563,278 B2	5/2003	Roman	D589,906 S	4/2009	Tupinier	
D477,619 S	7/2003	Coullahan	D667,381 S	9/2012	Rolli	
6,595,569 B1	7/2003	McKinney	8,976,006 B2	3/2015	Krupke	
D478,605 S	8/2003	Guzman	D741,817 S	10/2015	Paredes	
D486,841 S	2/2004	Reedy	D741,818 S	10/2015	Paredes	
D488,138 S	4/2004	Parsadayan	D742,766 S	11/2015	Olivieri	
D490,829 S	6/2004	Coullahan	D750,575 S	3/2016	Peterson	
D491,208 S	6/2004	Coullahan	D778,184 S	2/2017	Kikstra	
D492,333 S	6/2004	Guzman	D797,584 S	9/2017	Venth	
D493,149 S	7/2004	Patton	D846,612 S *	4/2019	Baer	D15/148
D493,477 S	7/2004	Reedy	D847,888 S *	5/2019	Baer	D15/148
D495,665 S	9/2004	Stekelenburg	D848,498 S *	5/2019	Baer	D15/148
D497,880 S	11/2004	Apotheloz	2004/0020612 A1	2/2004	Bosio	
D500,066 S	12/2004	Coullahan	2004/0246721 A1	12/2004	Hoermann	
D500,747 S	1/2005	Gavel	2005/0254194 A1	11/2005	Olmsted	
D501,643 S	2/2005	Strand	2006/0265956 A1	11/2006	Angiuli	
D506,485 S	6/2005	Guzman	2007/0013477 A1	1/2007	Fitzgibbon	
D509,481 S	9/2005	Murtaugh	2007/0046231 A1	3/2007	Mullet	
D513,022 S	12/2005	Moe	2007/0188120 A1	8/2007	Mullet	
D514,461 S	2/2006	Harju	2007/0294961 A1	12/2007	Reed	
D519,138 S	4/2006	Guzman	2010/0242369 A1	9/2010	Laird	
D542,235 S	5/2007	Rashid	2013/0027181 A1	1/2013	King	
7,215,238 B2	5/2007	Buck	2013/0038183 A1	2/2013	Chen	
7,378,760 B2	5/2008	Olmsted	2014/0320263 A1	10/2014	Fan	
			2014/0368322 A1	12/2014	Mullet	
			2015/0275564 A1	10/2015	Rosenthal	
			2017/0295658 A1	10/2017	Whitmire	

* cited by examiner

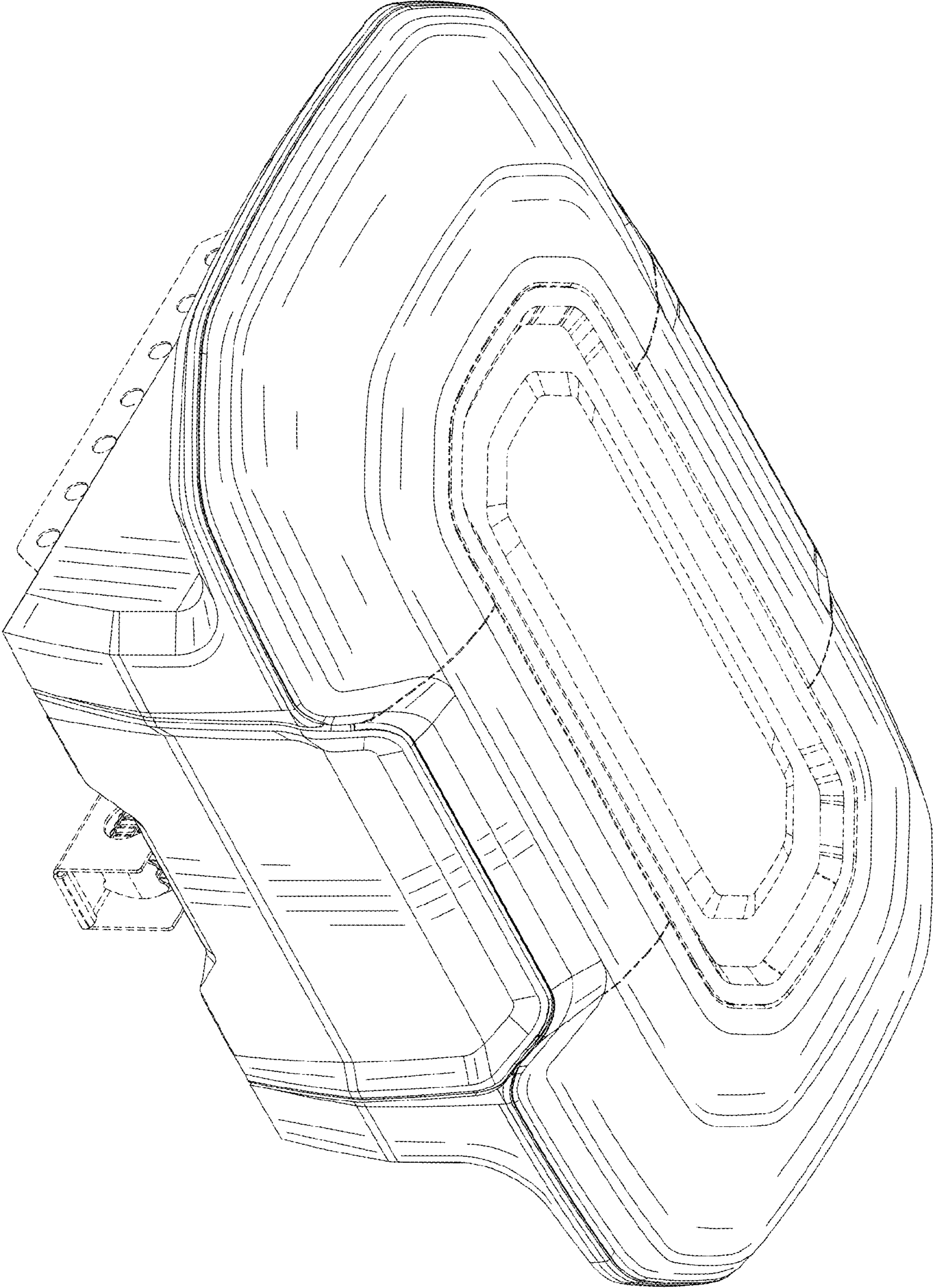


FIG. 1

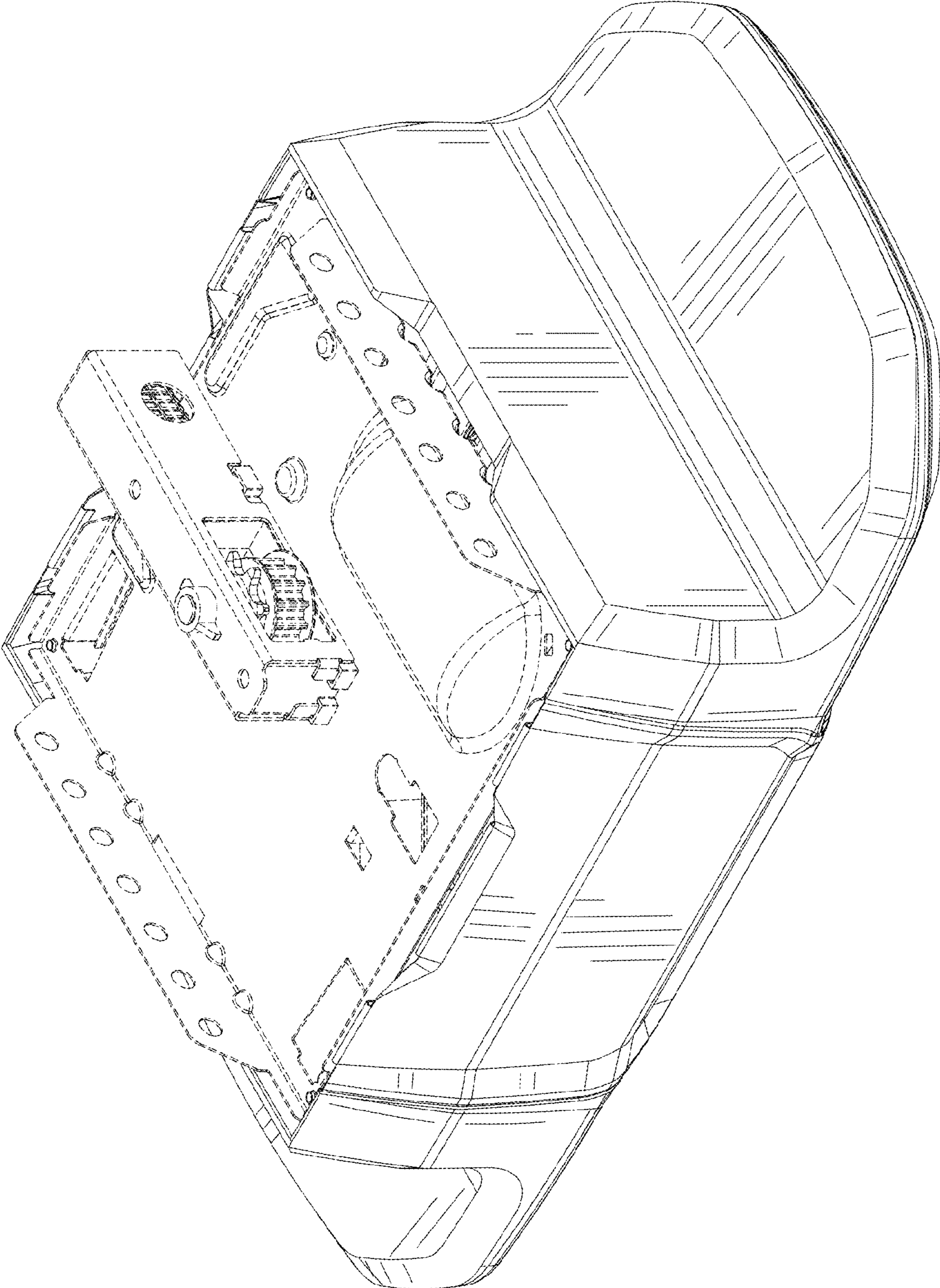


FIG. 2

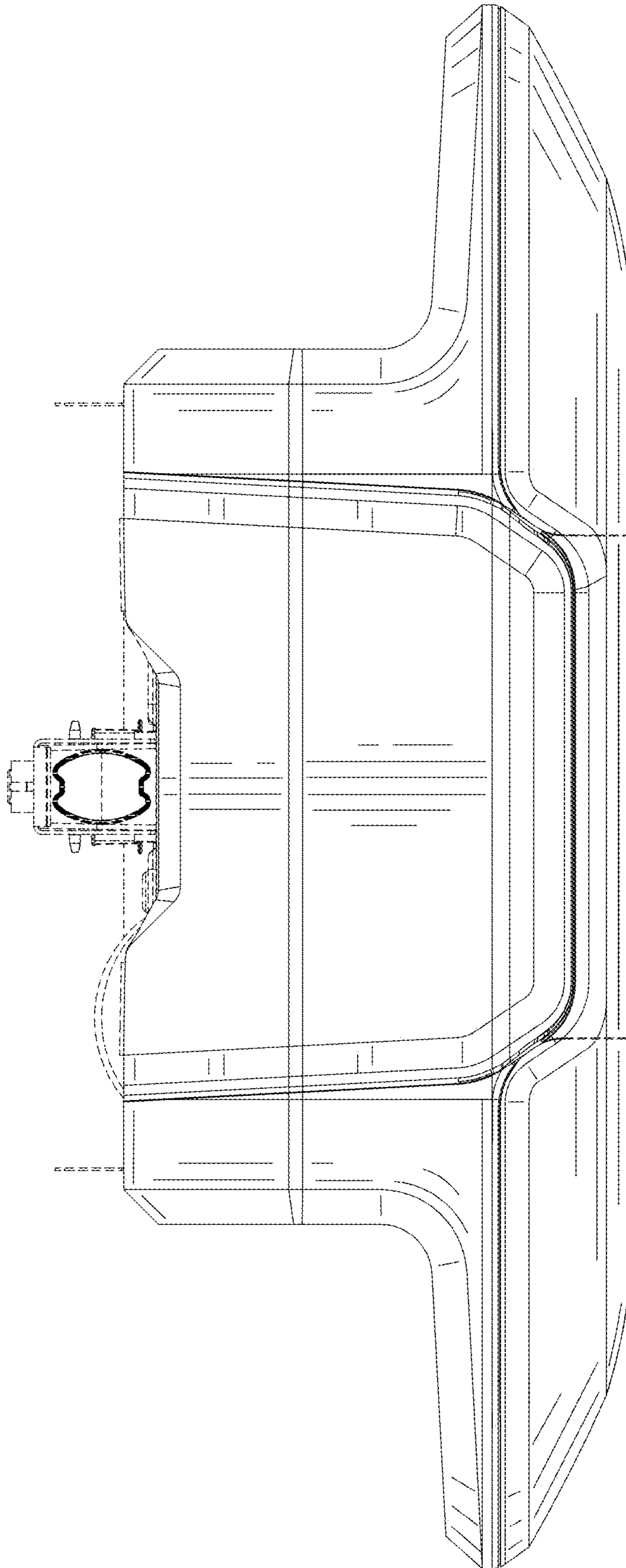


FIG. 3

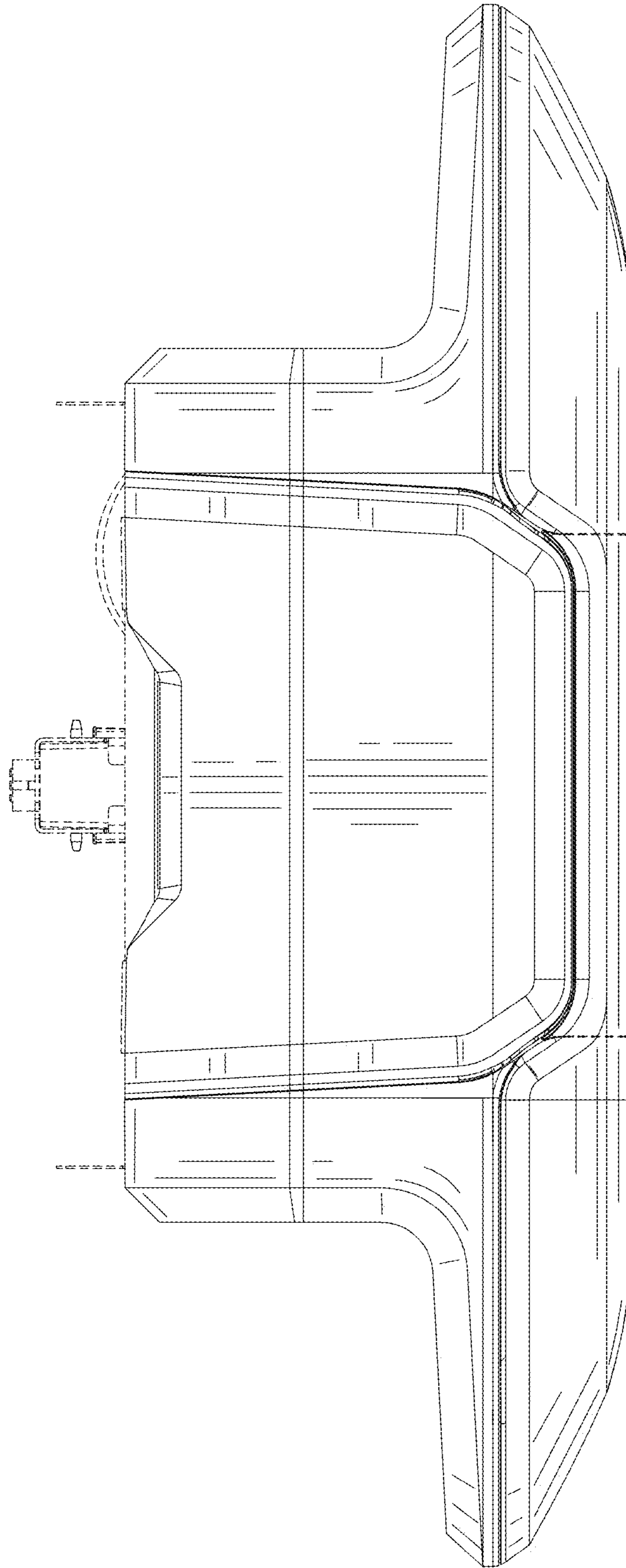


FIG. 4

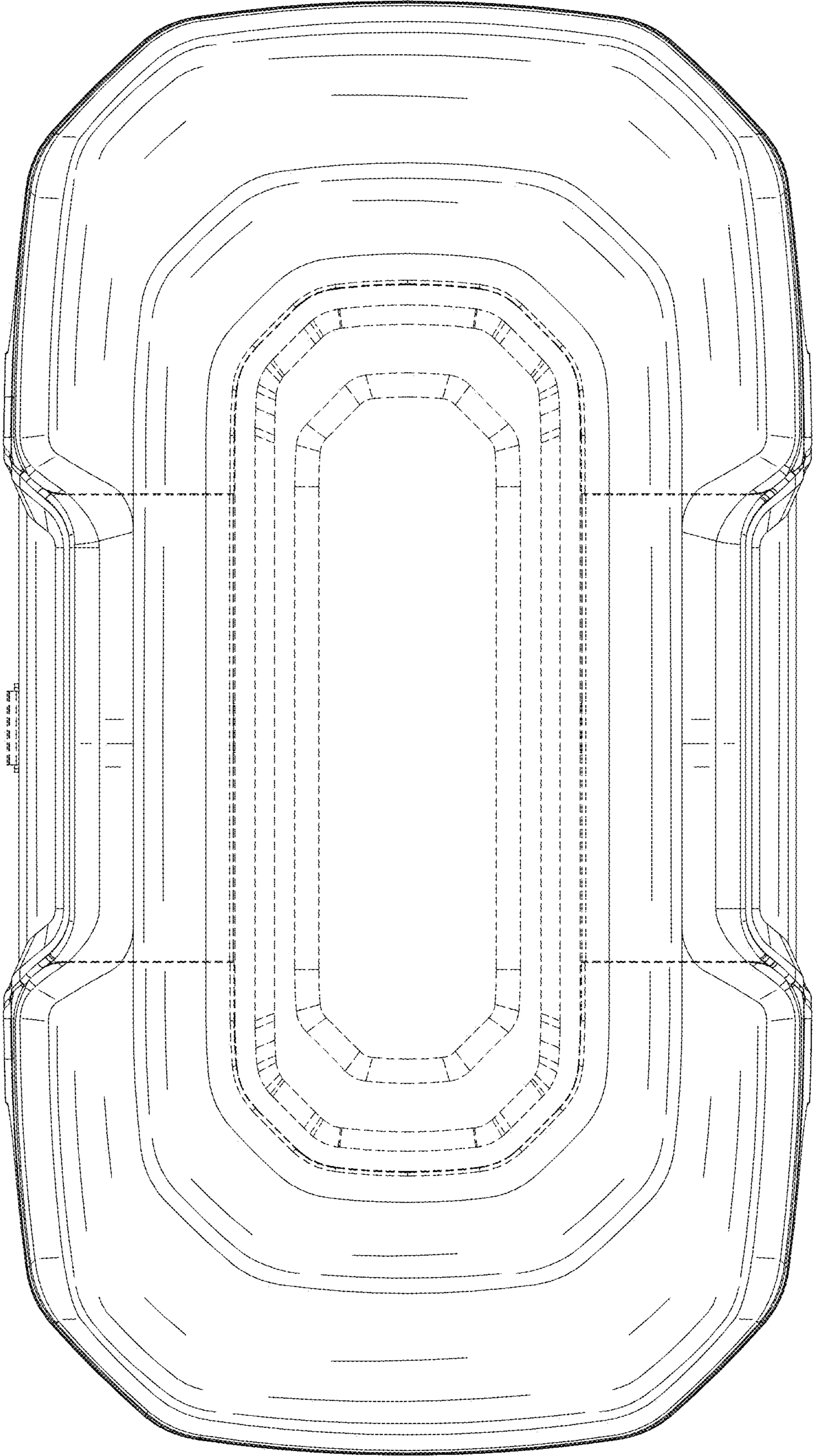


FIG. 5

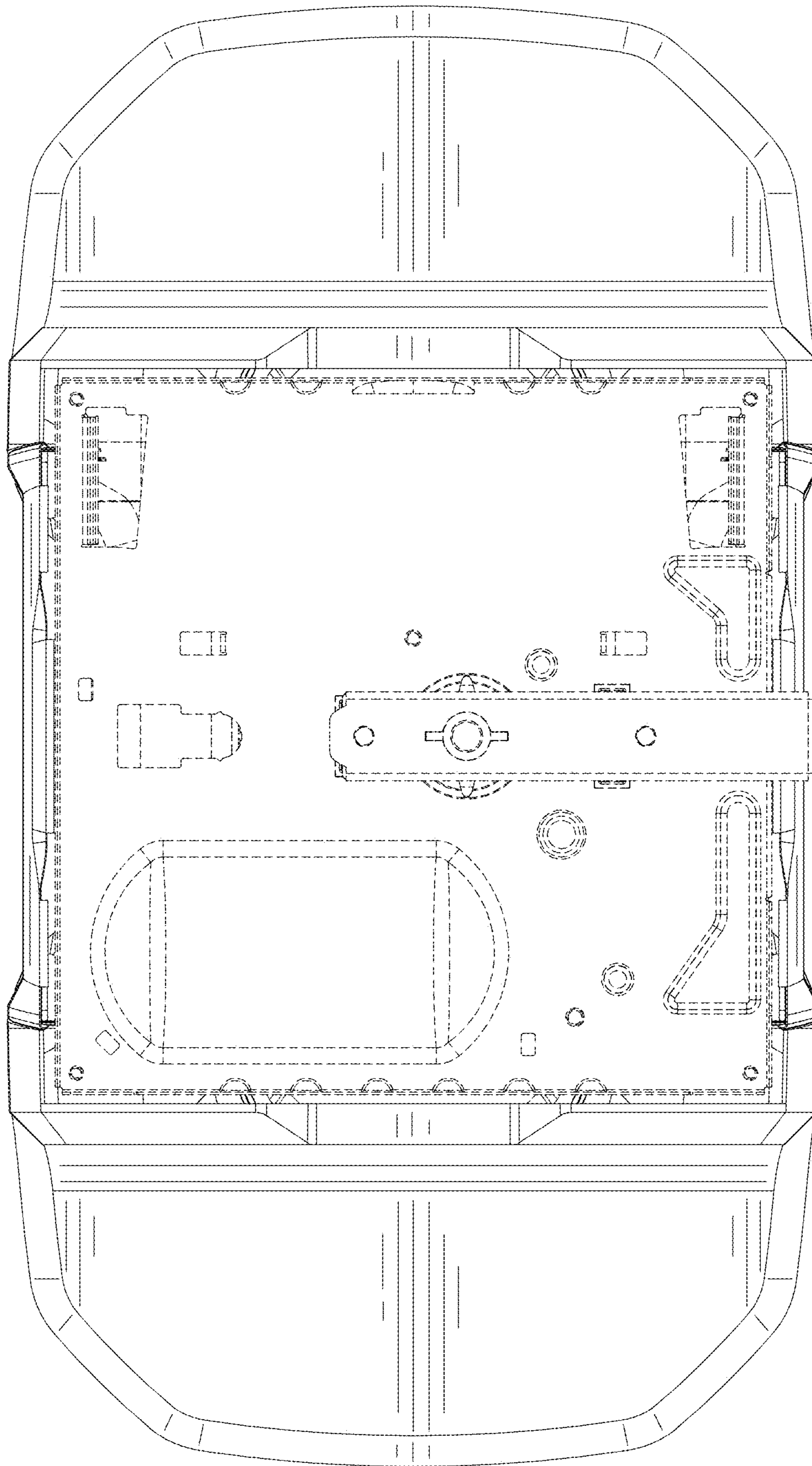


FIG. 6

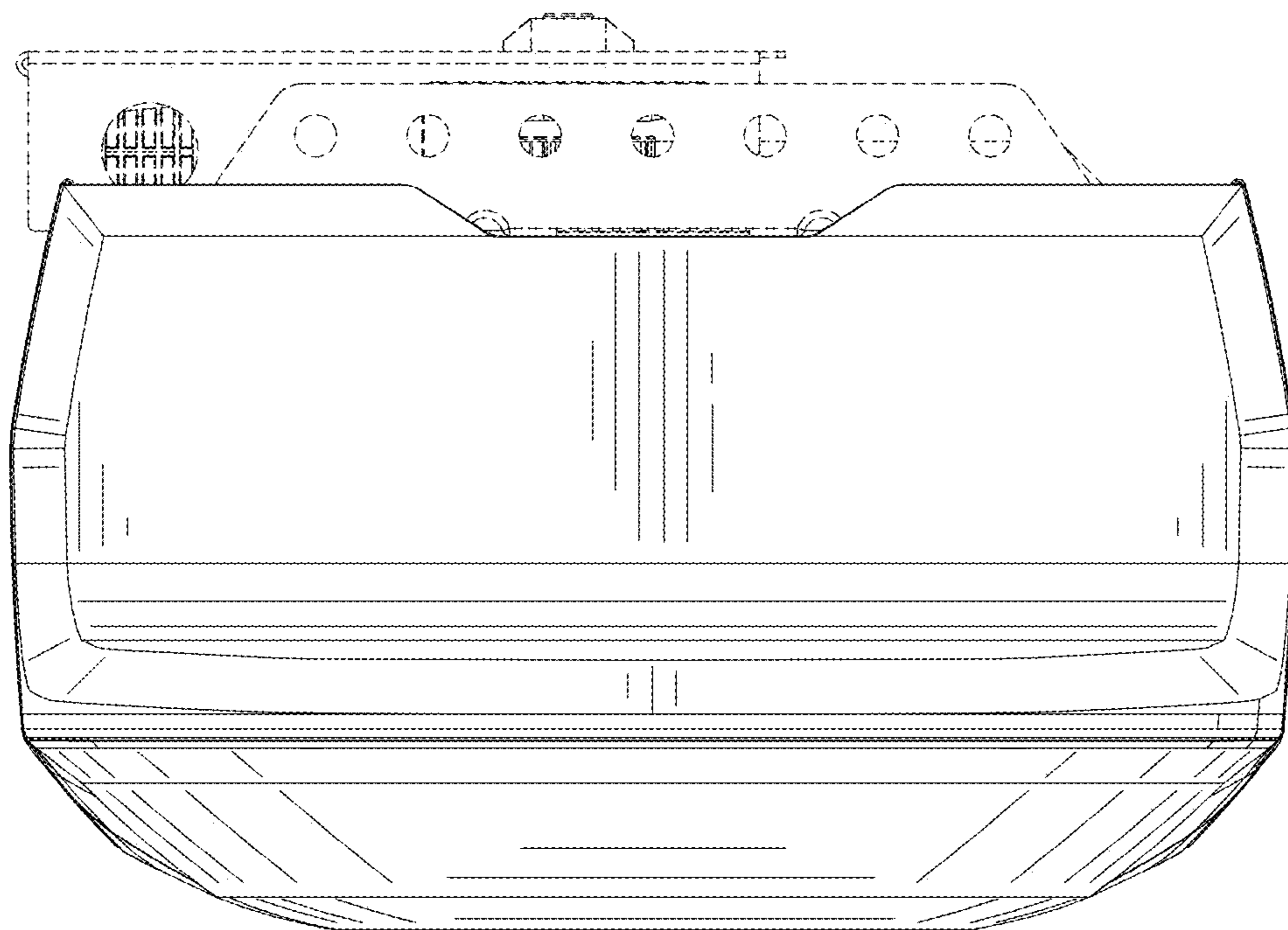


FIG. 7

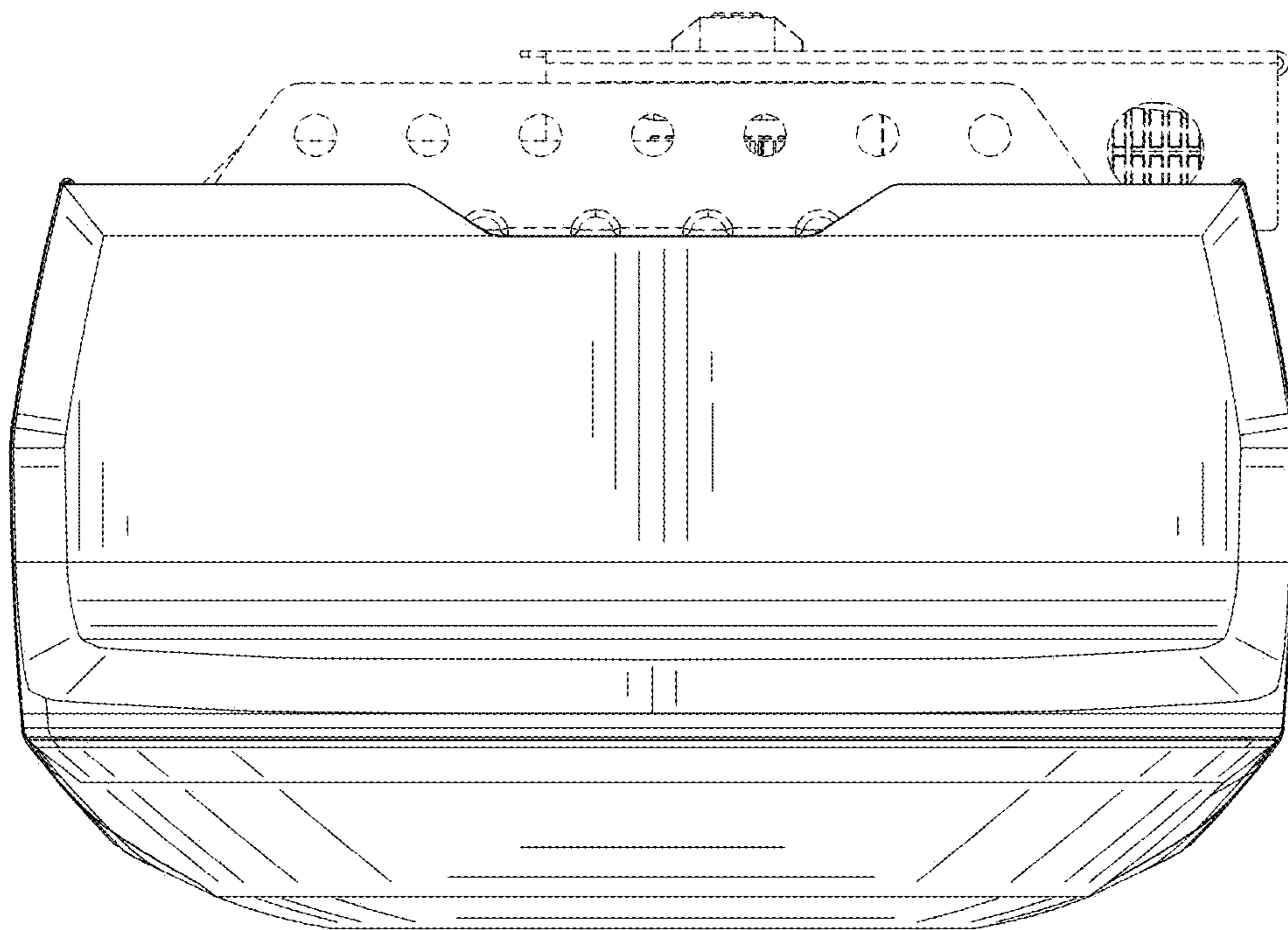


FIG. 8