



US00D872148S

(12) **United States Design Patent**
Drachenberg

(10) **Patent No.:** **US D872,148 S**
(45) **Date of Patent:** **** Jan. 7, 2020**

(54) **LAMINATING CARTRIDGE**

FOREIGN PATENT DOCUMENTS

(71) Applicant: **ACCO BRANDS CORPORATION**,
Lake Zurich, IL (US)

DE 102008057006 A1 5/2010
WO 2001/056787 A1 8/2001
WO 2010/083729 A1 7/2010

(72) Inventor: **James M. Drachenberg**, Phoenix, AZ
(US)

OTHER PUBLICATIONS

(73) Assignee: **ACCO Brands Corporation**, Lake
Zurich, IL (US)

Xyron®, "ezLaminator Laminate Refill, 9"×60', Two Sided," <<https://www.amazon.com/Xyron-ezLaminator-Laminate-Refill-145612/dp/B000MK4SGU>> website accessed Sep. 9, 2018.

(Continued)

(**) Term: **15 Years**

Primary Examiner — Patricia A Palasik

(21) Appl. No.: **29/645,947**

(74) *Attorney, Agent, or Firm* — Michael Best & Friedrich LLP

(22) Filed: **Apr. 30, 2018**

(57) **CLAIM**

(51) **LOC (12) Cl.** **15-09**

The ornamental design for a laminating cartridge, as shown and described.

(52) **U.S. Cl.**

USPC **D15/145**

DESCRIPTION

(58) **Field of Classification Search**

USPC 18/12, 56; 15/145, 146

CPC B62M 1/105; B32B 41/02; B32B 37/185;

B32B 2037/0061; Y10T 156/1741

See application file for complete search history.

FIG. 1 is a front perspective view of a laminating cartridge embodying the present invention.

FIG. 2 is a rear perspective view of the laminating cartridge of FIG. 1.

FIG. 3 is a front view of the laminating cartridge of FIG. 1.

FIG. 4 is a rear view of the laminating cartridge of FIG. 1.

FIG. 5 is right side view of the laminating cartridge of FIG. 1.

FIG. 6 is a left side view of the laminating cartridge of FIG. 1.

FIG. 7 is a top view of the laminating cartridge of FIG. 1; and,

FIG. 8 is a bottom view of the laminating cartridge of FIG. 1.

The broken lines illustrate environment and form no part of the claimed design. The alternating long-short dashed lines in FIGS. 1 and 3 indicate boundaries separating claimed and non-claimed portions of the design.

(56) **References Cited**

U.S. PATENT DOCUMENTS

4,904,100 A * 2/1990 Enix B41J 3/36

242/538.3

5,232,538 A * 8/1993 Liu B32B 39/00

100/155 R

5,807,461 A 9/1998 Hagstrom

D422,623 S * 4/2000 Fukuoka D18/12

6,315,020 B1 11/2001 Seki

6,386,772 B1 5/2002 Klinefelter et al.

D476,663 S * 7/2003 Nonomura D14/483

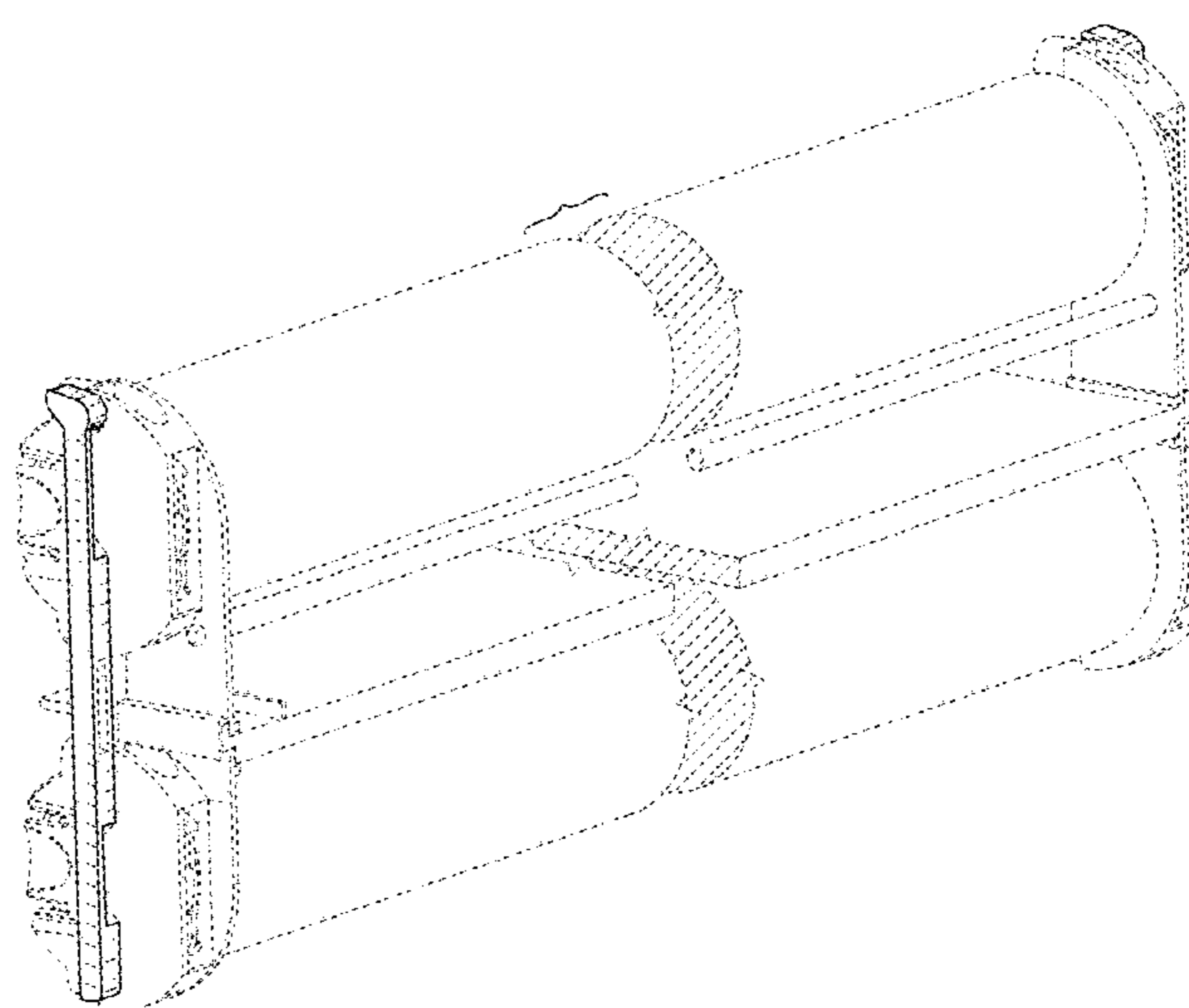
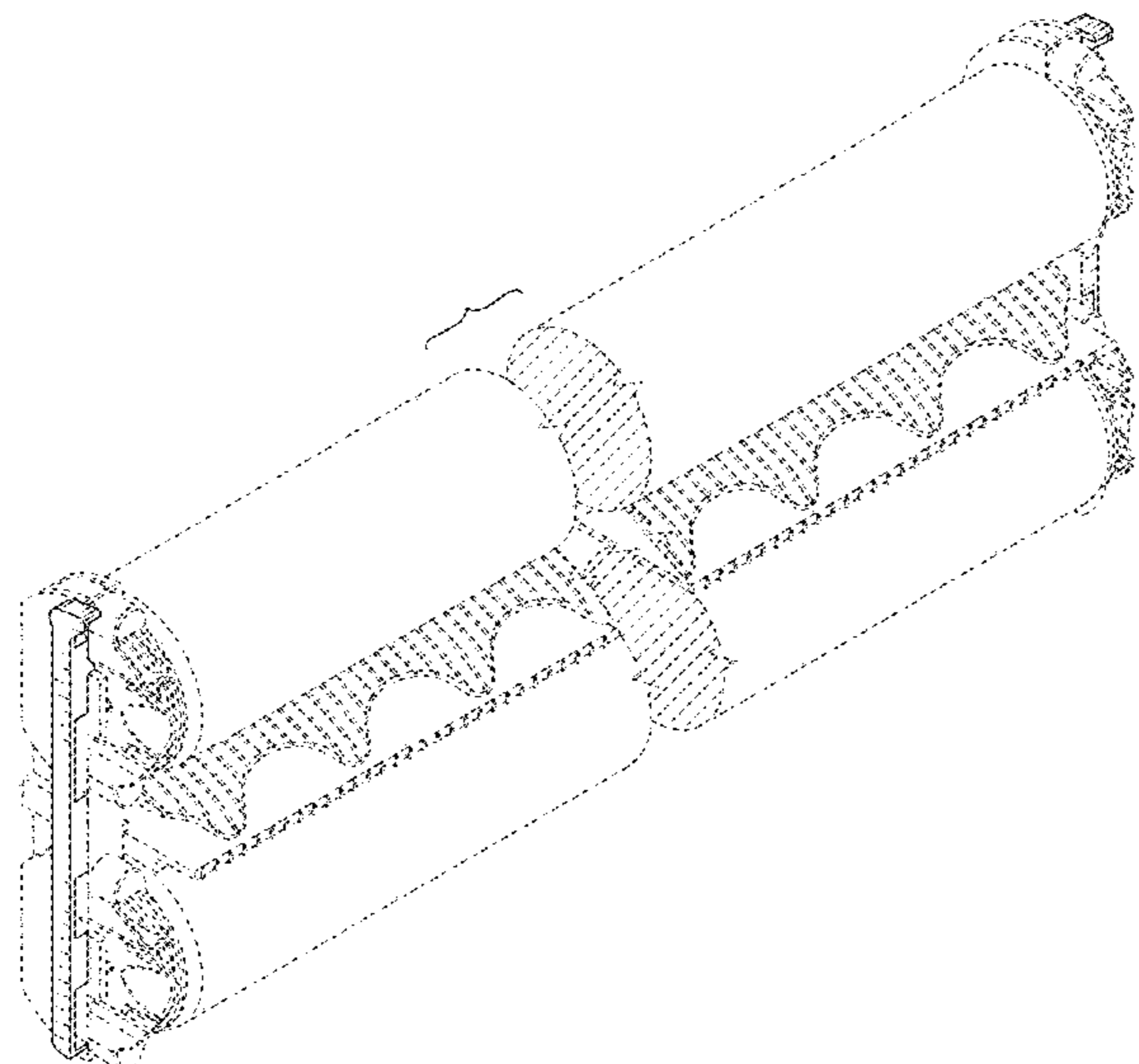
D477,326 S * 7/2003 Nonomura D14/483

6,805,179 B2 10/2004 Velasquez et al.

6,810,934 B2 11/2004 Sasaki et al.

(Continued)

1 Claim, 6 Drawing Sheets



(56)

References Cited

U.S. PATENT DOCUMENTS

6,832,866	B2	12/2004	Klinefelter et al.	
6,843,297	B2	1/2005	McKay et al.	
6,991,130	B2	1/2006	Presutti et al.	
D529,541	S *	10/2006	Kawai	D18/43
D529,954	S *	10/2006	Matsumoto	D18/56
D531,657	S *	11/2006	Yamamoto	D18/12
D538,338	S *	3/2007	Matsumoto	347/86
D539,842	S *	4/2007	Minami	D18/56
D544,536	S *	6/2007	Motoki	D18/56
D585,091	S *	1/2009	Matsumoto	D18/56
D589,551	S *	3/2009	Han	D18/43
D597,129	S *	7/2009	Tatsumi	D18/43
D619,644	S *	7/2010	Houman	D18/43
7,766,063	B2	8/2010	Lauder et al.	
D631,090	S *	1/2011	Chadani	D18/43
D631,091	S *	1/2011	Chadani	D18/43
D723,614	S *	3/2015	Shimizu	D18/43
8,967,892	B2	3/2015	Ishii et al.	
D746,903	S *	1/2016	Kitagawa	D18/43
D746,906	S *	1/2016	Kitagawa	D18/43
D774,129	S *	12/2016	Lu	D18/43
9,566,771	B2	2/2017	Meier et al.	
D789,446	S *	6/2017	Maeshima	D18/43
D796,573	S *	9/2017	Li	D18/43
2010/0307690	A1 *	12/2010	Chou	B32B 37/0053 156/555
2013/0098558	A1	4/2013	Liu et al.	

OTHER PUBLICATIONS

Xyron® “2.5in Create-A-Sticker™ Permanent Refill cartridge,” <https://www.xyron.com/en-us/products/create-a-sticker/2-5--create-a-sticker/2-5in-cas-perm-adhesive_at255-20cftp/> webpage available at least as early as Sep. 12, 2015.

Xyron® “5in Create-A-Sticker™ Permanent Refill cartridge,” <<https://www.xyron.com/en-us/products/create-a-sticker/5--create-a-sticker->

[max/5in-cas-perm-adhesive_at1505-18/](https://www.xyron.com/en-us/products/create-a-sticker/5--create-a-sticker/5in-cas-perm-adhesive_at1505-18/)> webpage available at least as early as Sep. 1, 2015.

Xyron® “1.5in Sticker Maker Permanent Refill cartridge,” <https://www.xyron.com/en-us/products/sticker-maker/sticker-makers--refillable/1-5--sticker-maker-permanent-refill_at155-20/> webpage available at least as early as Sep. 6, 2015.

Xyron® “5in Creative Station™ Permanent Refill cartridge,” <https://www.xyron.com/en-us/products/creative-station/5--creative-station/5in-cs-perm--adhesive-refill_at1605-181/> webpage available at least as early as Sep. 12, 2015.

Xyron® “3in Creative Station™ Lite Permanent Refill cartridge,” <https://www.xyron.com/en-us/products/creative-station/5--creative-station/xyron-creative-station-lite-3in-permanent-refill-cartridge_624741/> webpage available at east as early as Sep. 12, 2015.

Xyron® “9in Creative Station™ Permanent Refill cartridge,” <https://www.xyron.com/en-us/products/creative-station/9--creative-station/9in-cs-perm-adhesive-refill_at905-40/> webpage available at least as early as Sep. 12, 2015.

Xyron® “EZ Laminator™ Two-Sided Laminate Refill,” <https://www.xyron.com/en-us/products/xyron-professional-laminators/ezlaminator/ezlaminator-two-sided-lam-refill_1456121/> webpage available at least as early as Sep. 12, 2015.

Xyron® “XM1255 Permanent Standard Adhesive Refill ,” <https://www.xyron.com/en-us/products/xyron-professional-laminators/xm1255/xm1255-permanent-standard-adhesive-refill_at1255-100/> webpage available at least as early as Sep. 12, 2015.

Xyron® “850 Permanent Refill,” <https://www.xyron.com/en-us/products/other-xyron-products/850-refills/850-permanent-refill_at205-50/> webpage available at least as early as Sep. 12, 2015.

Xyron® “1200 Permanent Refill ,” <https://www.xyron.com/en-us/products/other-xyron-products/1200-refills/1200-permanent-refill_at%201105-50/> webpage available at least as early as Sep. 12, 2015.

Xyron® “Stickz™ Permanent Adhesive Refill,” <https://www.xyron.com/en-us/products/other-xyron-products/creatopia-refills/stickz--by-xyron-permanent-adhesive_3502-05-40/> webpage available at least as early as Sep. 12, 2015.

* cited by examiner

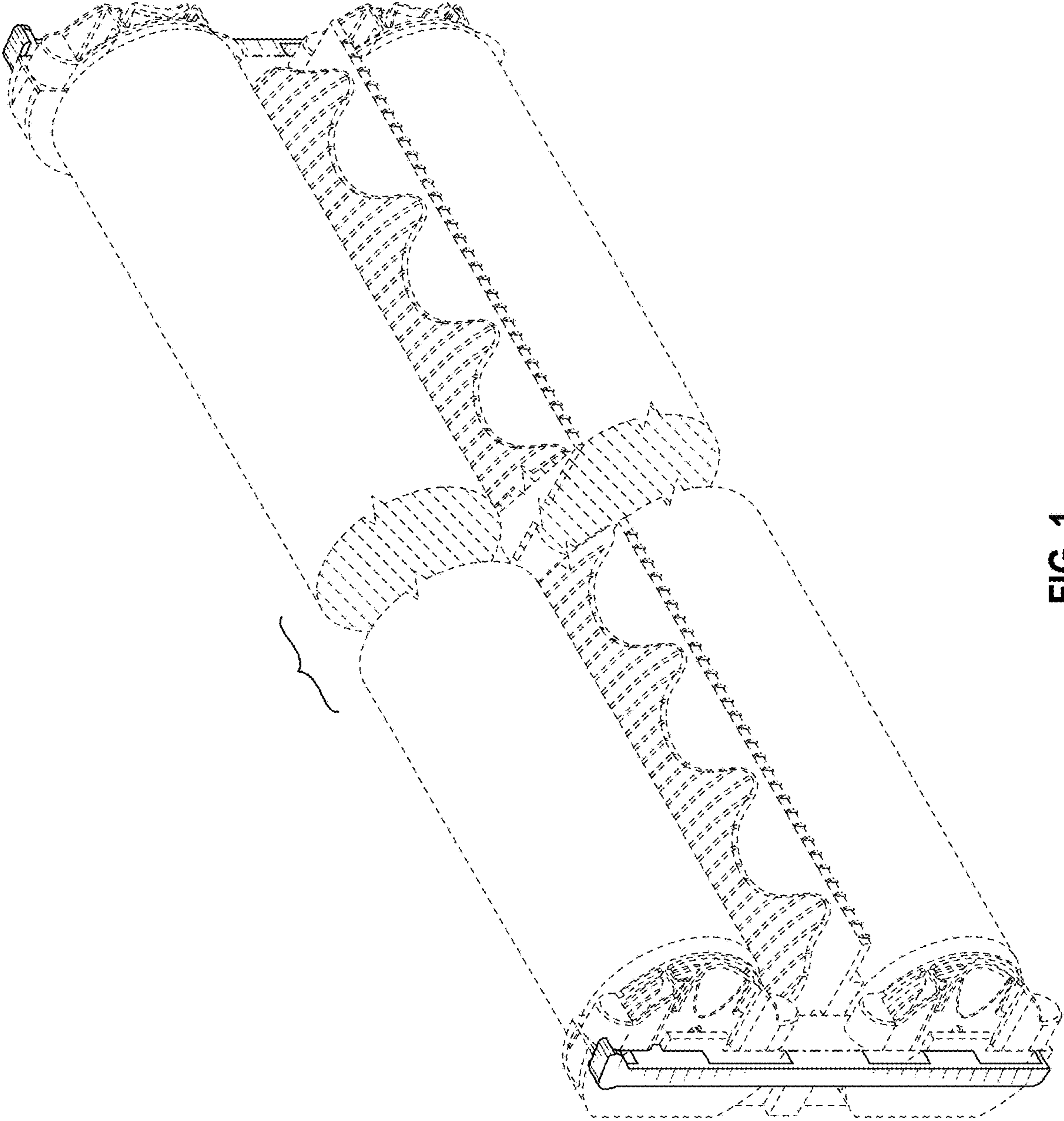


FIG. 1

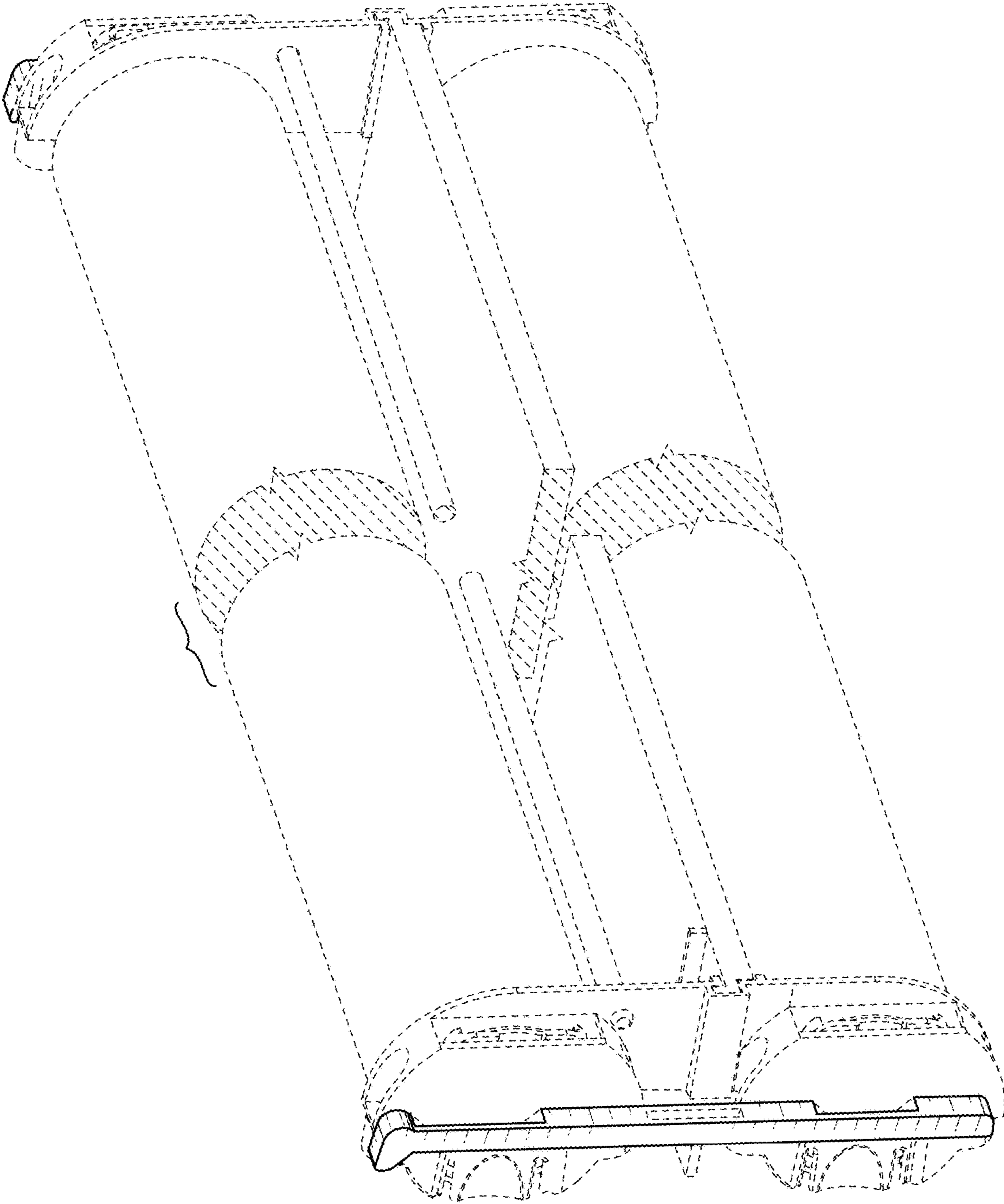


FIG. 2

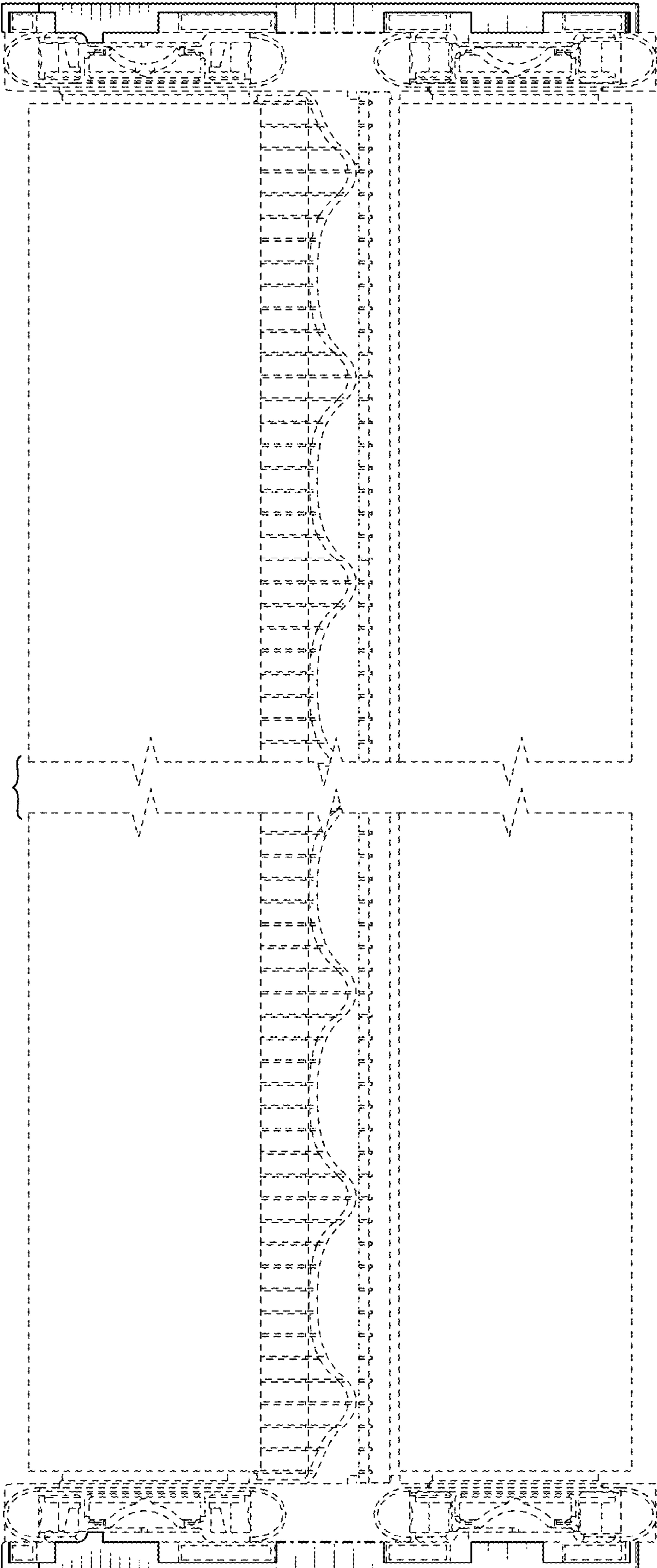


FIG. 3

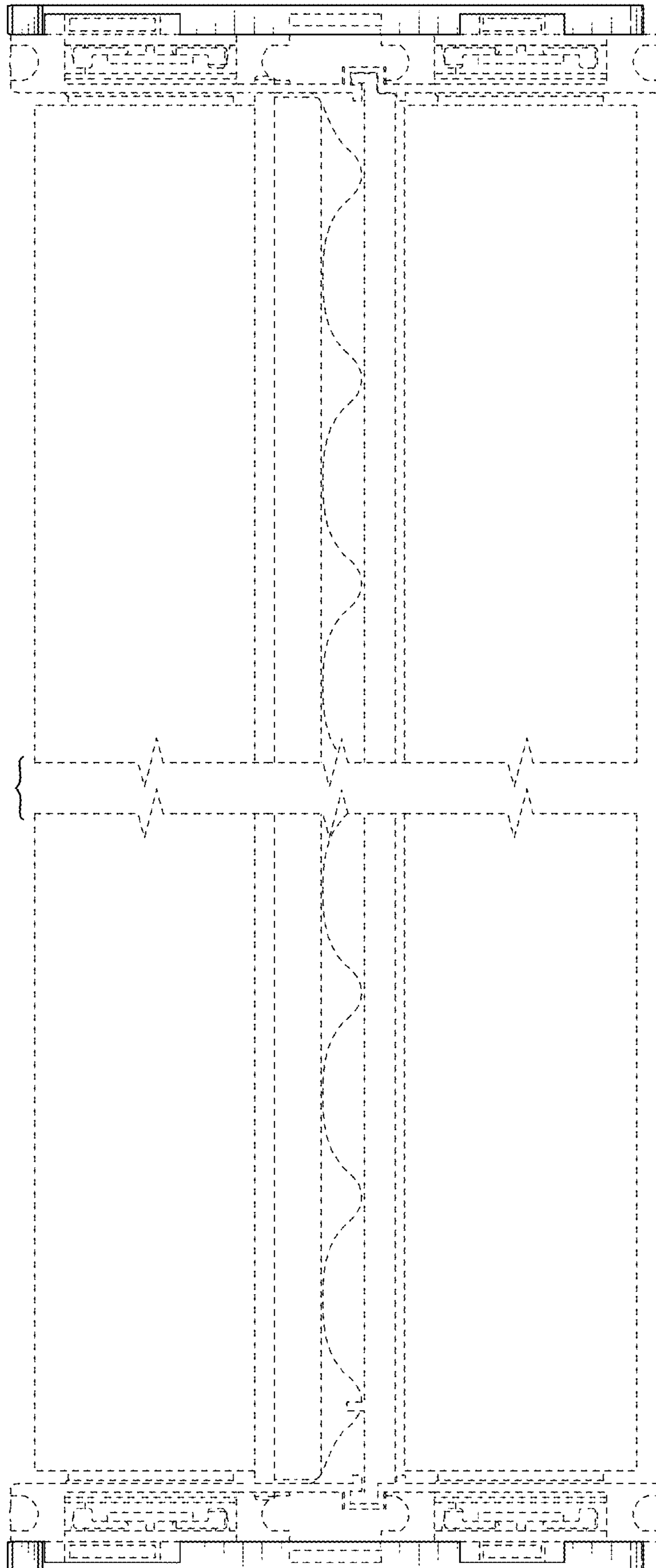


FIG. 4

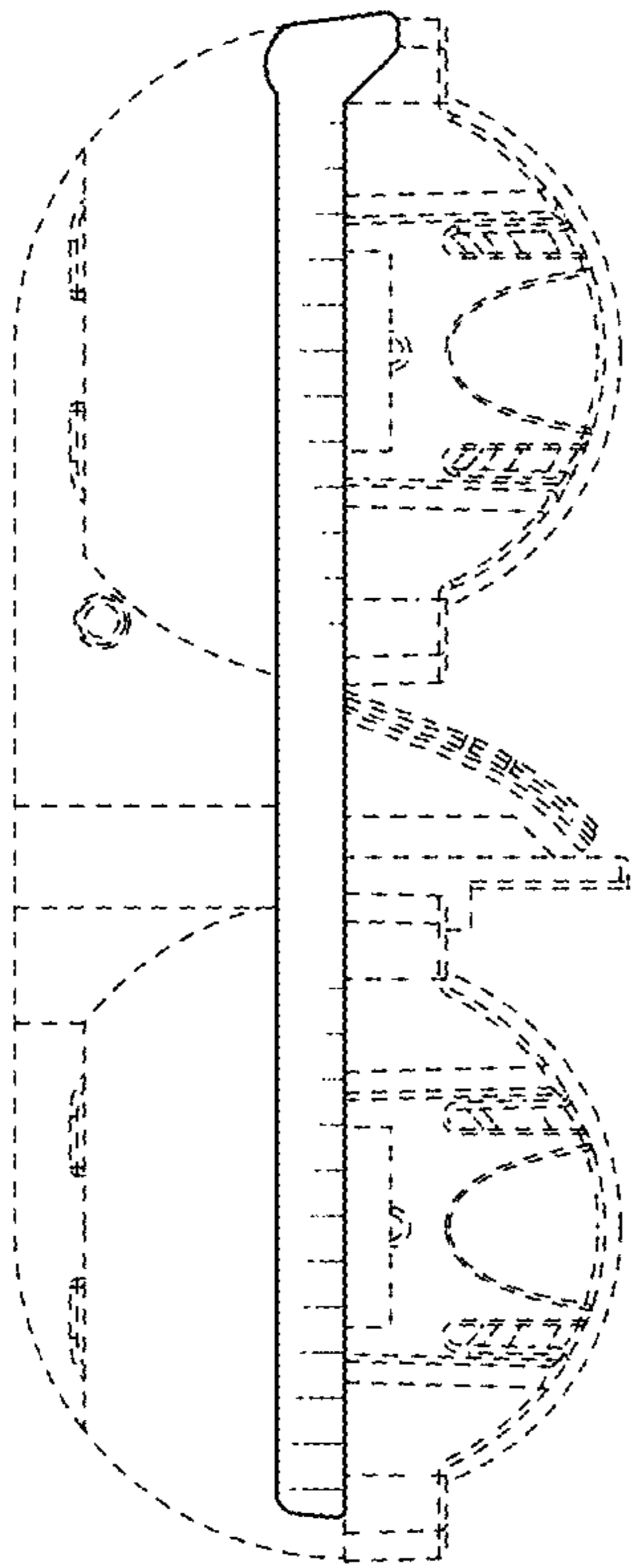


FIG. 5

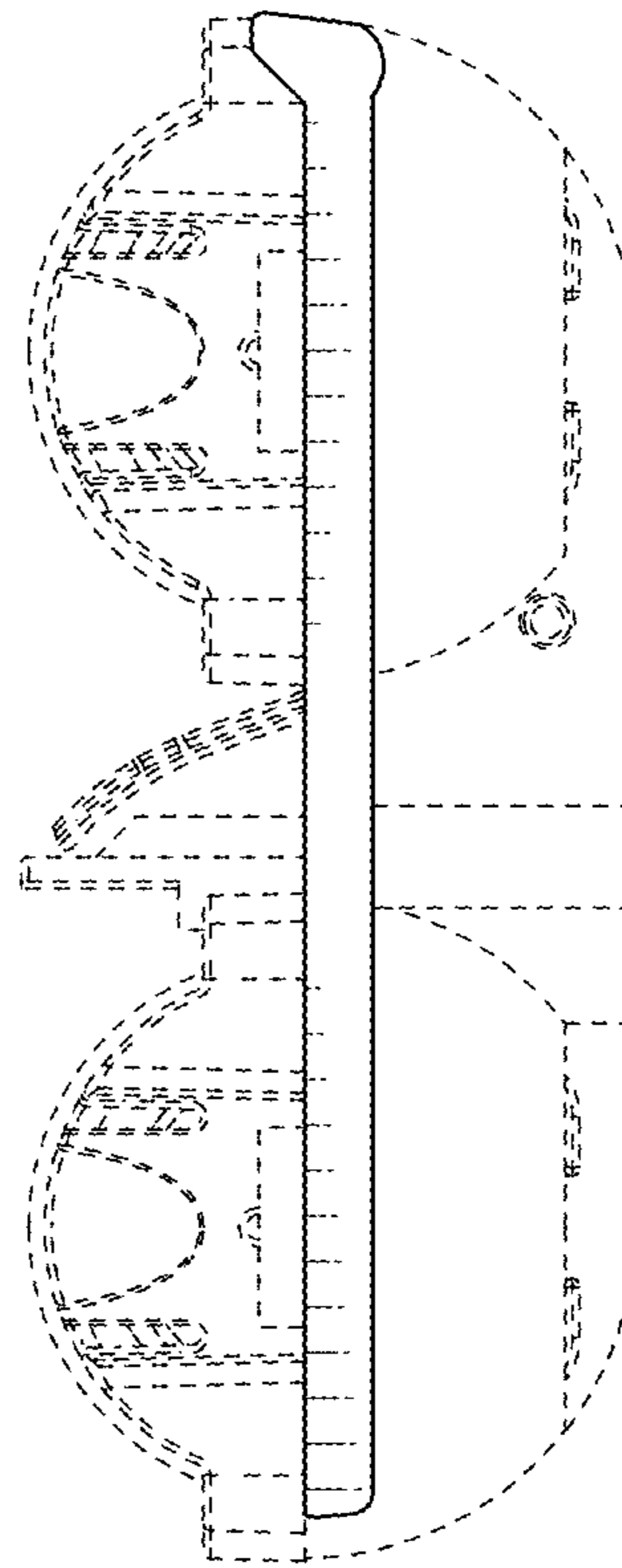


FIG. 6

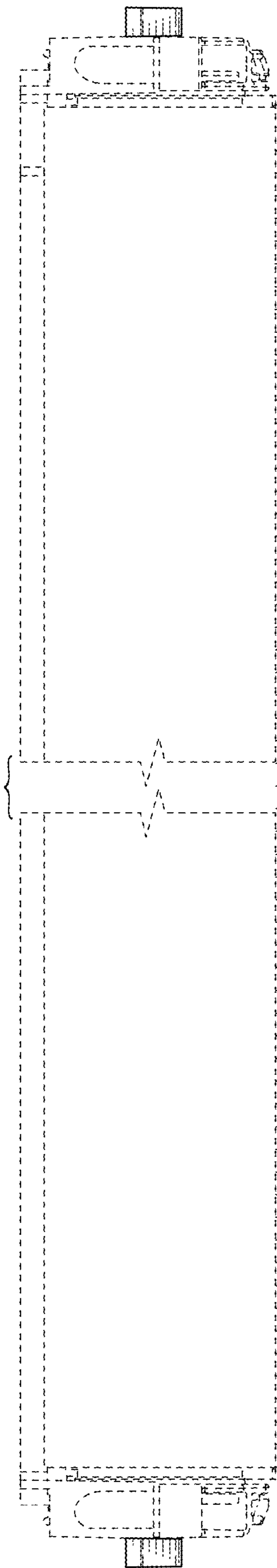


FIG. 7

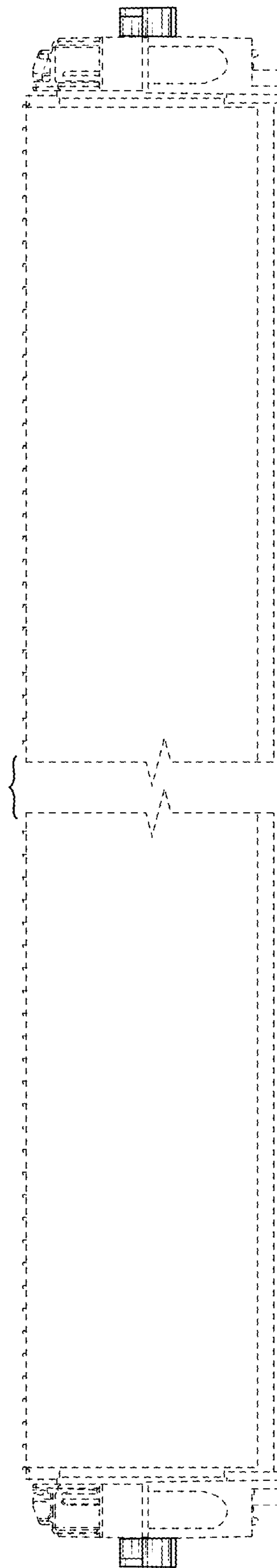


FIG. 8