



US00D872146S

(12) **United States Design Patent**
Hatchett

(10) **Patent No.:** **US D872,146 S**

(45) **Date of Patent:** **** Jan. 7, 2020**

- (54) **GUIDE FOR PLASMA CUTTERS**
- (71) Applicant: **Norm Hatchett**, Farmington, AR (US)
- (72) Inventor: **Norm Hatchett**, Farmington, AR (US)
- (**) Term: **15 Years**
- (21) Appl. No.: **29/625,552**
- (22) Filed: **Nov. 10, 2017**
- (51) **LOC (12) Cl.** **15-09**
- (52) **U.S. Cl.**
USPC **D15/140**
- (58) **Field of Classification Search**
USPC D8/70; D15/125, 126, 136, 140, 138,
D15/127, 139, 199
CPC ... B27C 5/10; B27C 9/02; Y10T 409/306608;
Y10T 409/303808; Y10T 409/30644;
Y10T 409/306496
See application file for complete search history.

D740,637 S * 10/2015 Finnas D8/70
D816,131 S * 4/2018 Nymark D15/126
D822,437 S * 7/2018 Hosey B01F 7/00458
D7/412

* cited by examiner

Primary Examiner — Rosemary K Tarcza
Assistant Examiner — Nathaniel D. Buckner
(74) *Attorney, Agent, or Firm* — Keisling & Pieper PLC;
David B. Pieper

(57) **CLAIM**

The ornamental design for a guide for plasma cutters, as shown and described.

DESCRIPTION

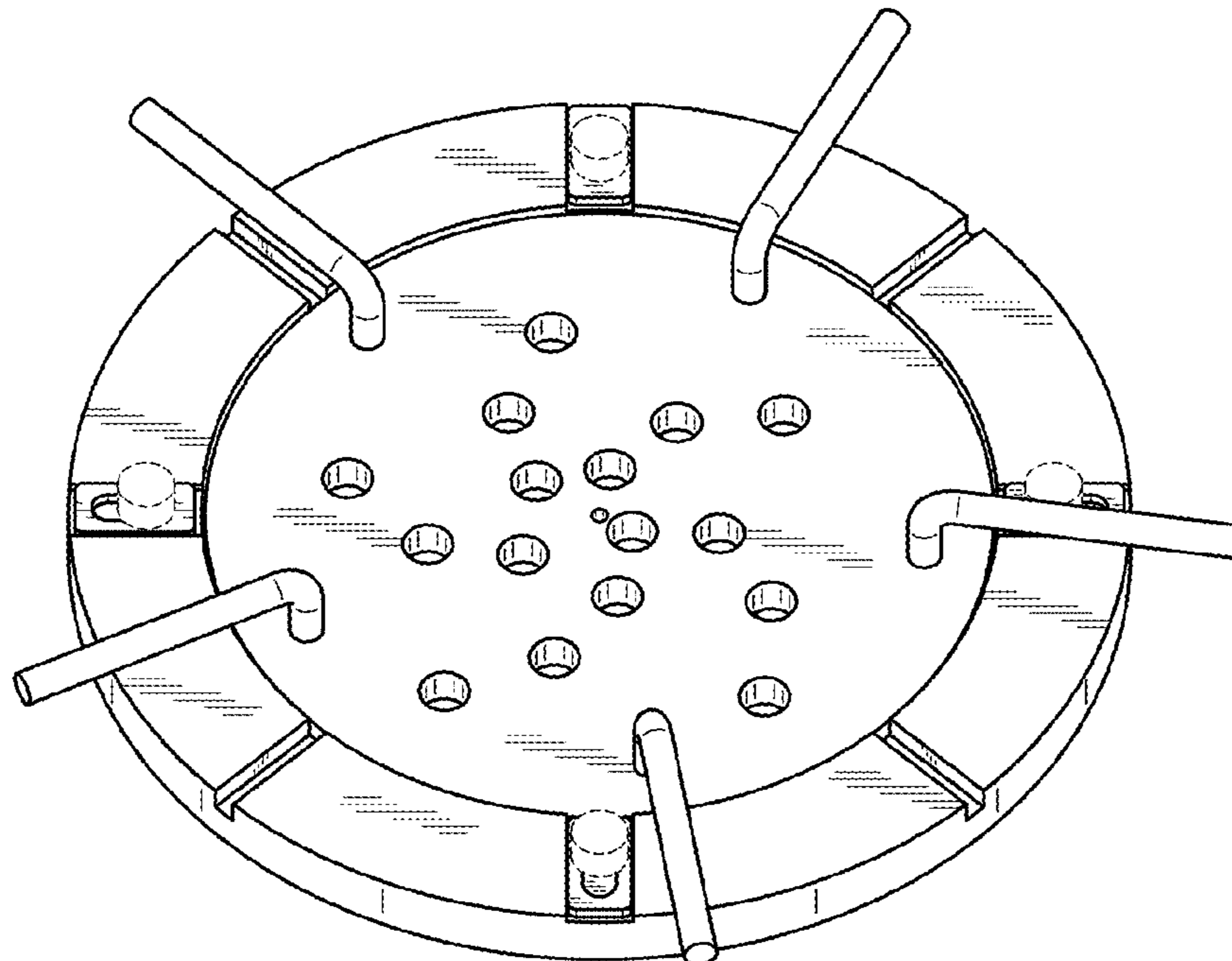
FIG. 1 is a top perspective view of a guide for plasma cutters, showing my new design;
FIG. 2 is a bottom perspective view thereof;
FIG. 3 is a top plan view thereof;
FIG. 4 is a left elevational view thereof;
FIG. 5 is a right elevational view thereof;
FIG. 6 is a rear elevational view thereof;
FIG. 7 is a front elevational view thereof;
FIG. 8 is a bottom plan view thereof;
FIG. 9 is a top perspective view thereof, shown in an alternate configuration of use;
FIG. 10 is a top front perspective view thereof, shown in an environment of use; and,
FIG. 11 is a top front perspective view thereof, shown in an alternate environment of use.
The broken lines in the figures depict portions of the article and environmental structure which form no part of the claimed design.

(56) **References Cited**

U.S. PATENT DOCUMENTS

- 4,294,297 A * 10/1981 Kieffer B23Q 35/005
144/154.5
- 5,183,373 A * 2/1993 Floyd, Jr. B23Q 1/4804
144/144.51
- 6,305,447 B1 * 10/2001 Rousseau B27C 5/02
144/135.2
- D467,485 S * 12/2002 Daniels D15/140
- D503,941 S * 4/2005 Andersen D15/131
- 7,343,945 B2 * 3/2008 Schelberg B23B 3/00
144/144.1
- D664,571 S * 7/2012 Beyer D15/125
- D689,912 S * 9/2013 Fu D15/126
- D689,913 S * 9/2013 Fu D15/126
- D701,249 S * 3/2014 Fritsch D15/126

1 Claim, 5 Drawing Sheets



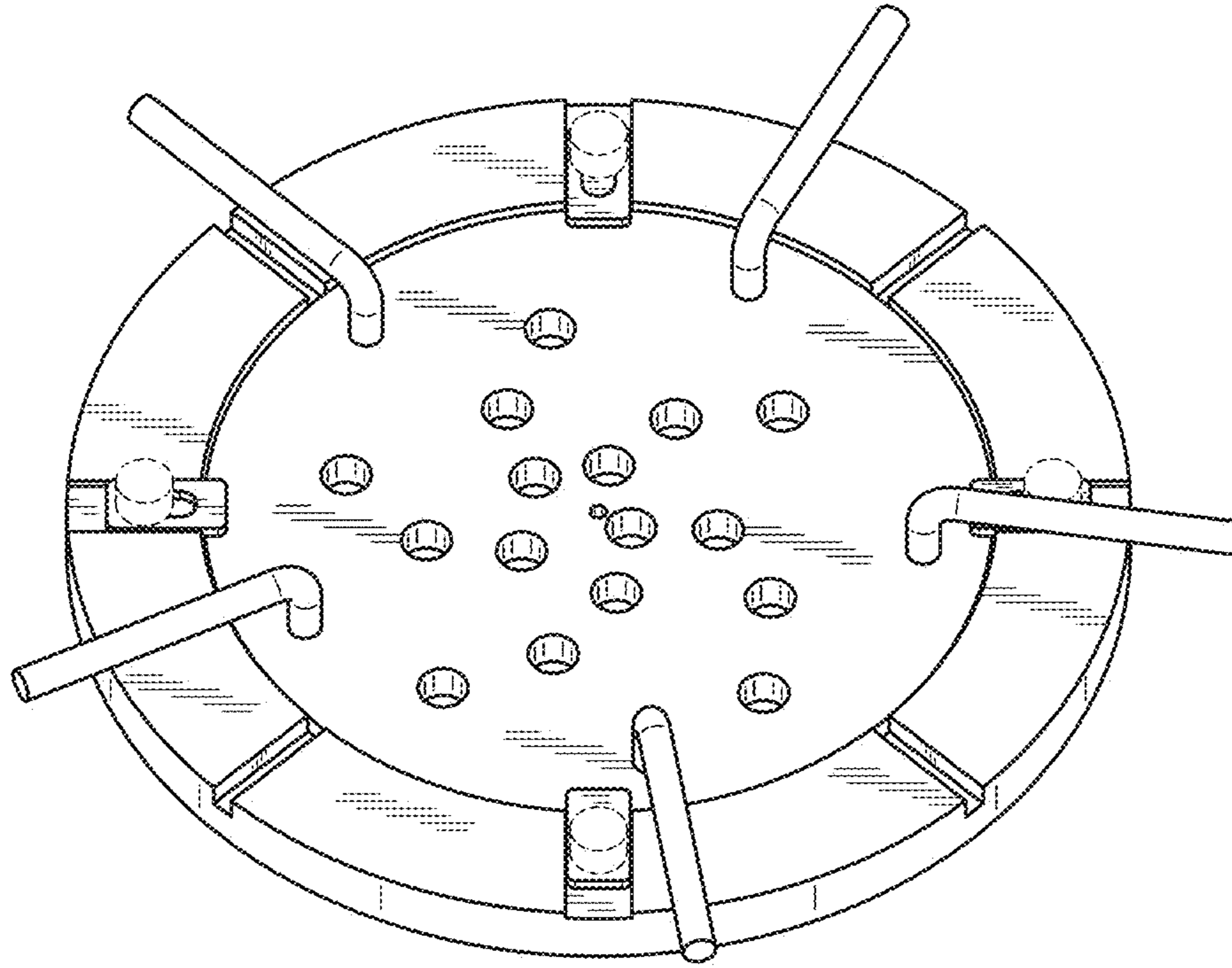


FIG. 1

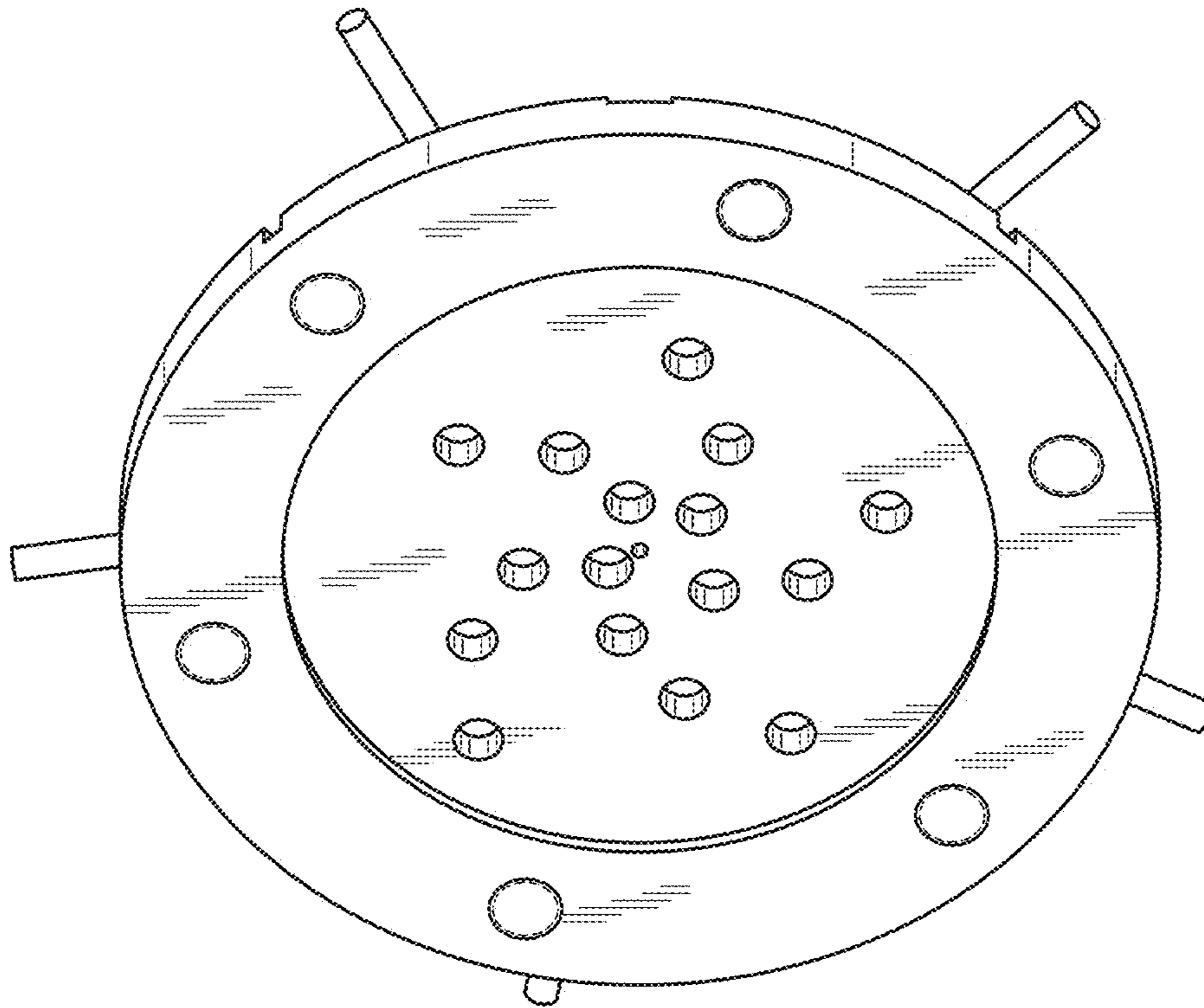


FIG. 2

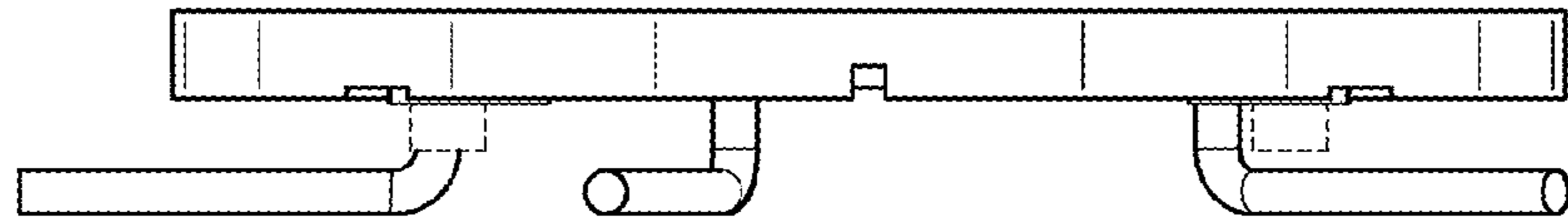


FIG. 6

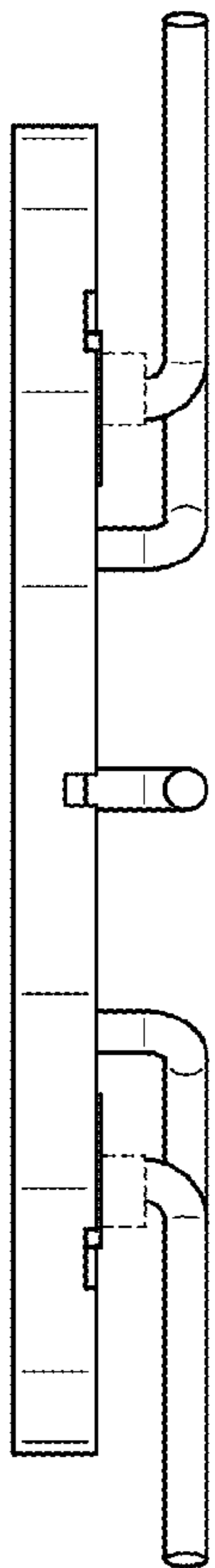


FIG. 4

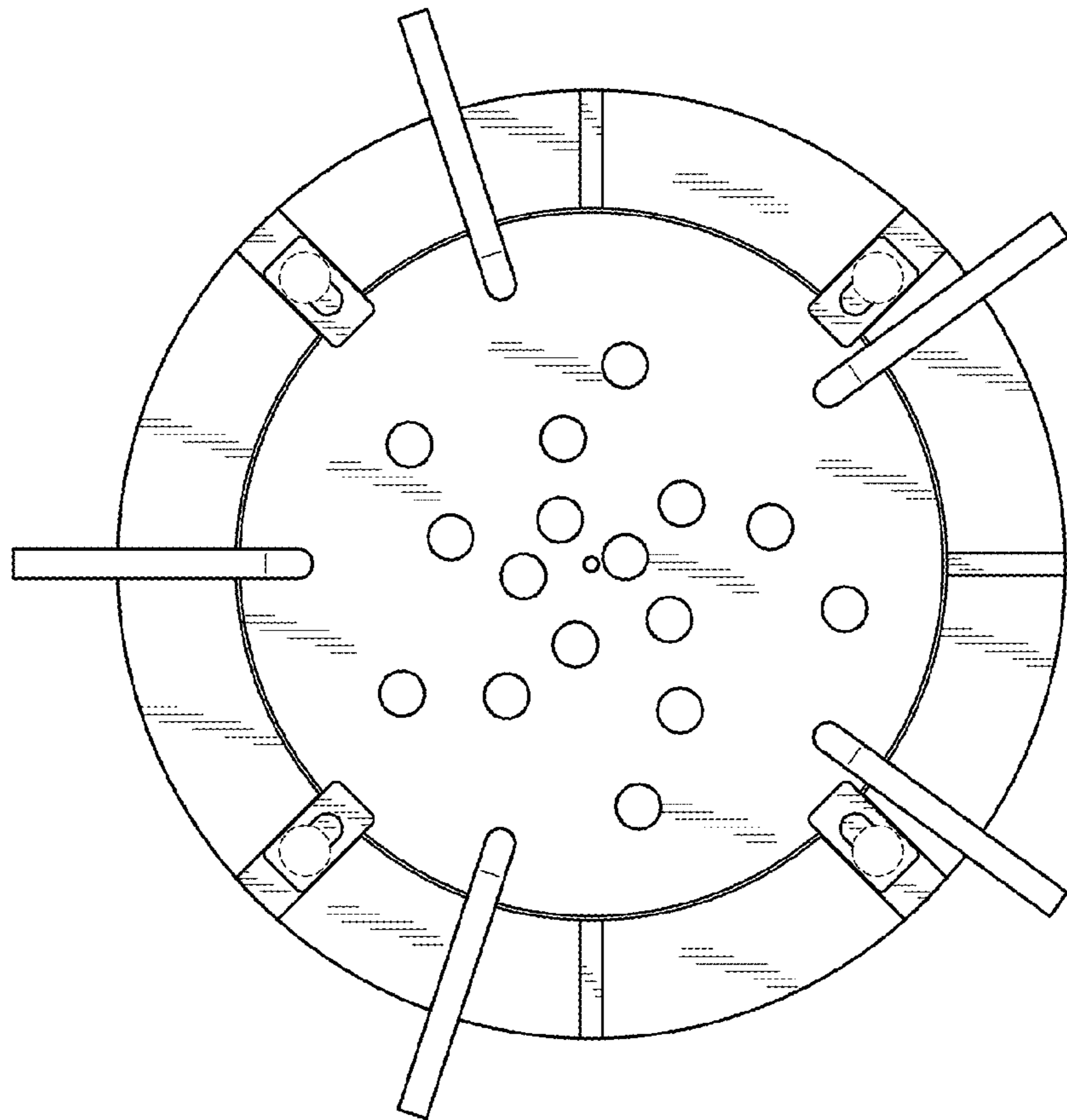


FIG. 3

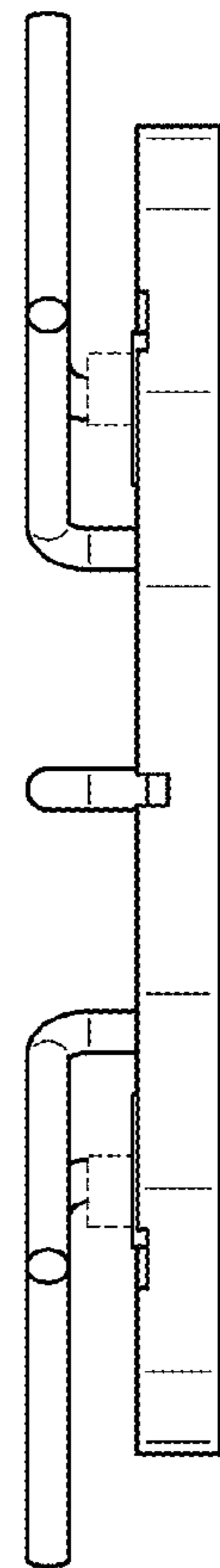


FIG. 5

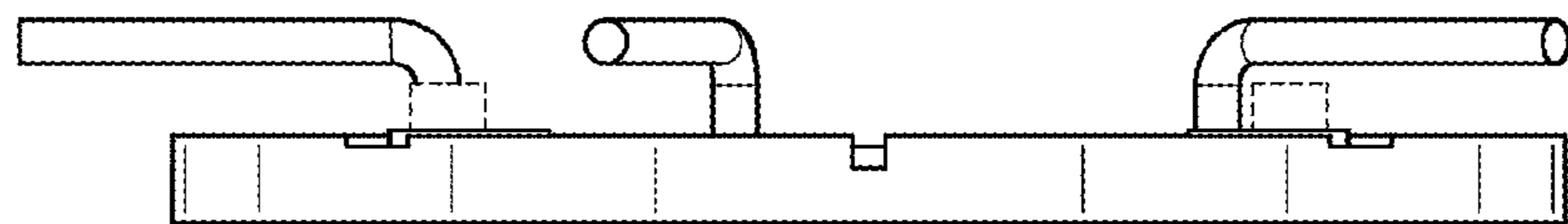


FIG. 7

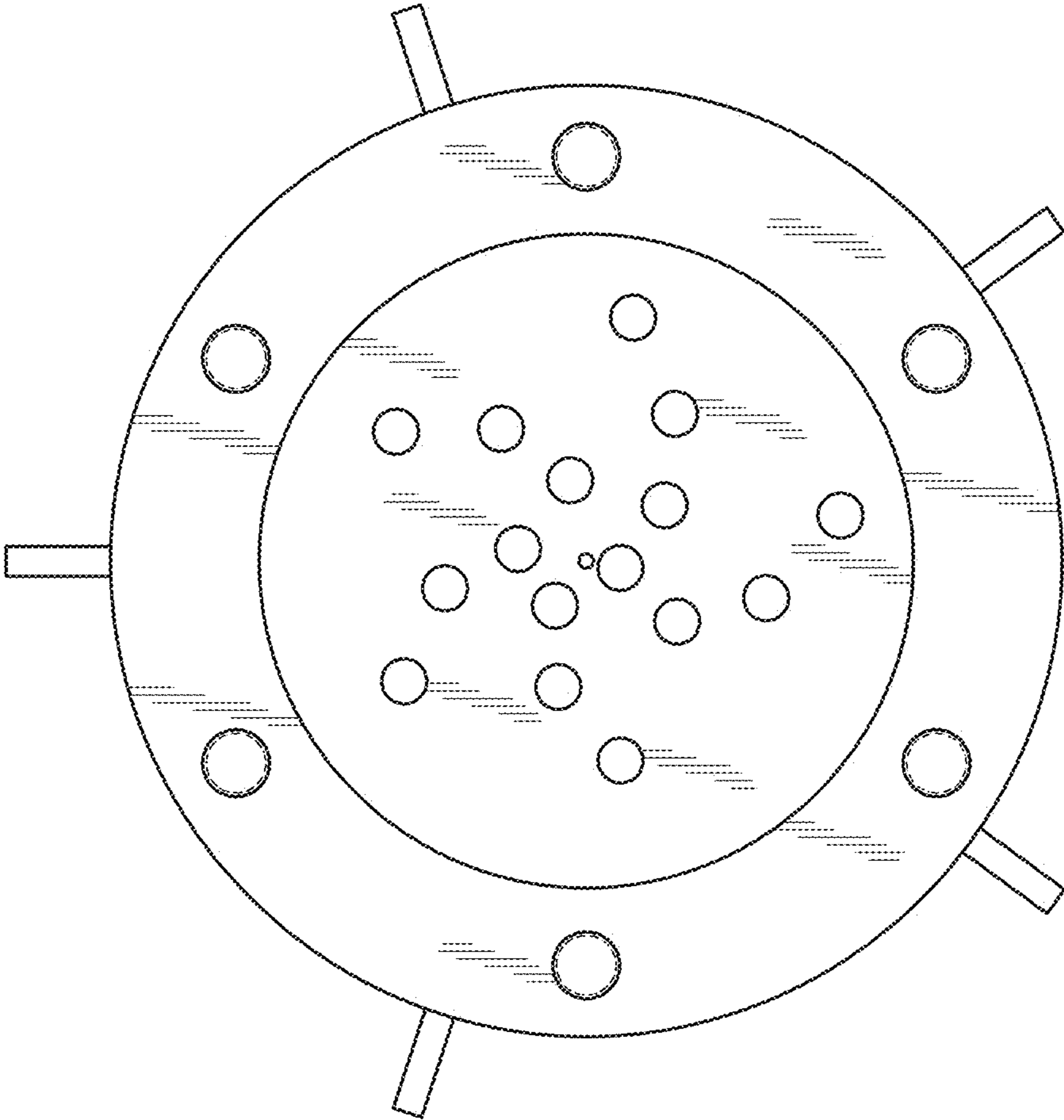


FIG. 8

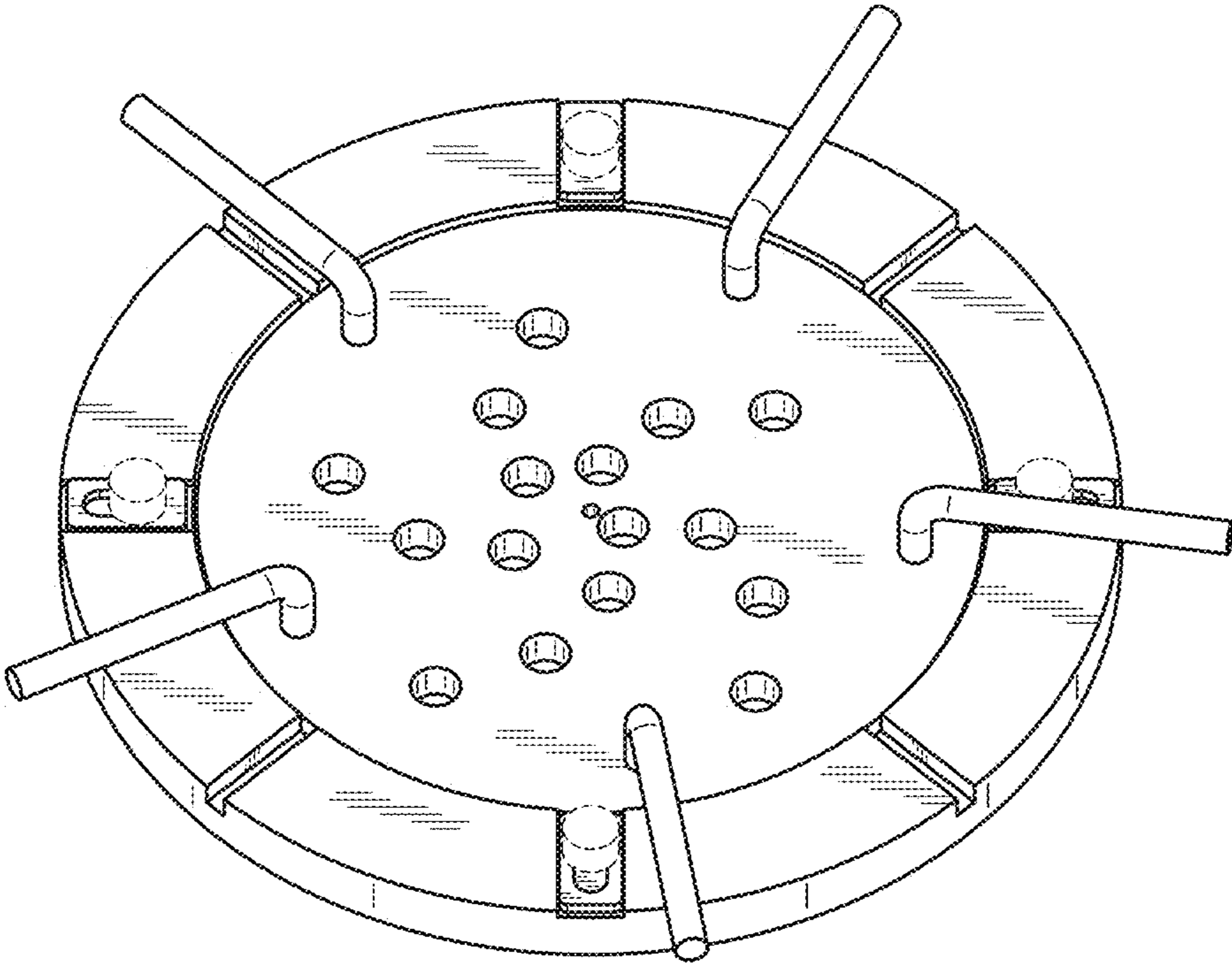


FIG. 9

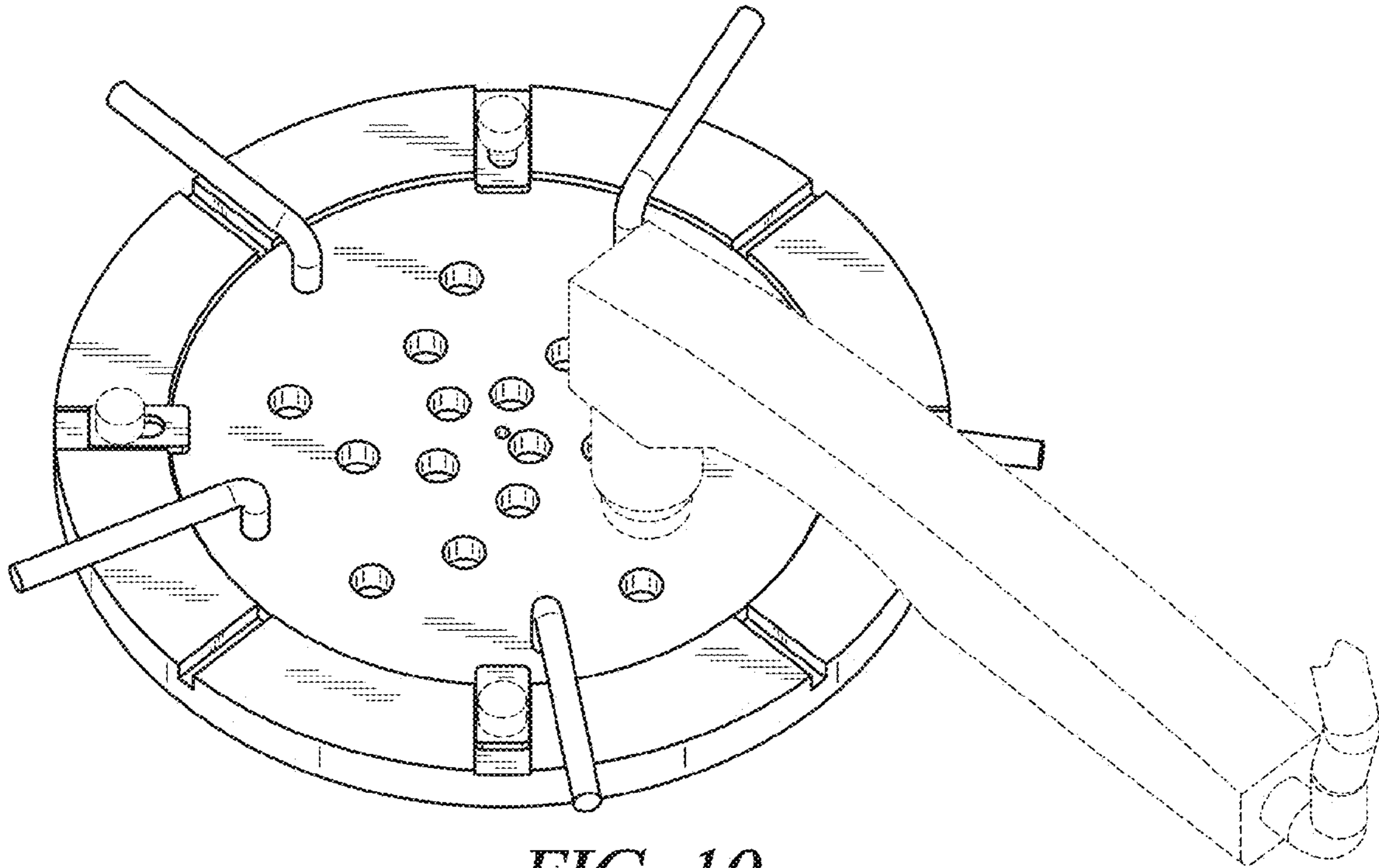


FIG. 10

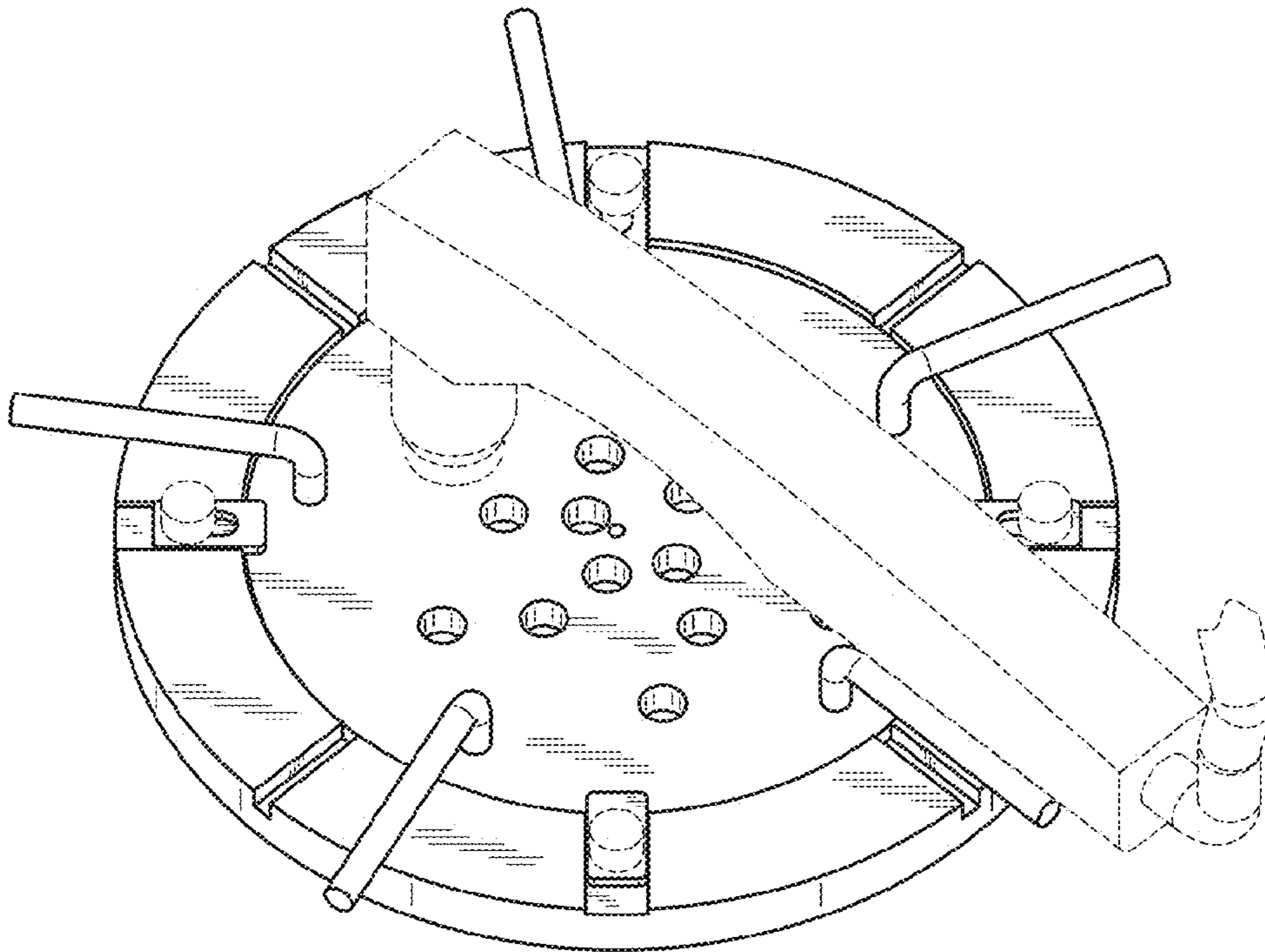


FIG. 11