



US00D872143S

(12) **United States Design Patent** (10) **Patent No.:** **US D872,143 S**
Wiand (45) **Date of Patent:** **** Jan. 7, 2020**

(54) **CUTTING BLADE**

(71) Applicant: **Inland Diamond Products Company,**
Madison Heights, MI (US)

(72) Inventor: **Ronald C. Wiand,** Troy, MI (US)

(73) Assignee: **Inland Diamond Products Company,**
Madison Heights, MI (US)

(**) Term: **15 Years**

(21) Appl. No.: **29/649,417**

(22) Filed: **May 30, 2018**

(51) **LOC (12) Cl.** **15-09**

(52) **U.S. Cl.**
USPC **D15/139**

(58) **Field of Classification Search**
USPC D8/14, 16, 19, 20, 70, 98; D15/138, 139,
D15/140; D22/117, 118, 146
CPC B29C 59/026
See application file for complete search history.

(56) **References Cited**

U.S. PATENT DOCUMENTS

3,543,402	A *	12/1970	Seager	B26B 9/00 30/346.53
D329,858	S *	9/1992	Gustafsson	D15/139
D330,033	S *	10/1992	Gustafsson	D15/139
D330,381	S *	10/1992	Gustafsson	D15/139
D330,901	S *	11/1992	Gustafsson	D15/139
D343,400	S *	1/1994	Lindstedt	D15/139
5,433,281	A *	7/1995	Black	E21B 10/58 175/420.1
D445,512	S *	7/2001	Sievert	D25/113
D481,045	S *	10/2003	Ahn	D15/139
D643,998	S *	8/2011	Bruyea	D1/127
D647,277	S *	10/2011	Bruyea	D1/127
D655,068	S *	3/2012	Bruyea	D1/101

D658,955	S *	5/2012	Nikkel	D8/20
D782,260	S *	3/2017	Chiu	D8/20
D794,101	S *	8/2017	Ryu	D15/139
D822,727	S *	7/2018	Matsumoto	D15/138
2005/0084356	A1 *	4/2005	Park	B23D 37/12 409/259
2017/0088457	A1 *	3/2017	Mori	C03C 23/0025

* cited by examiner

Primary Examiner — Patricia A Palasik

(74) *Attorney, Agent, or Firm* — Marshall & Melhorn,
LLC

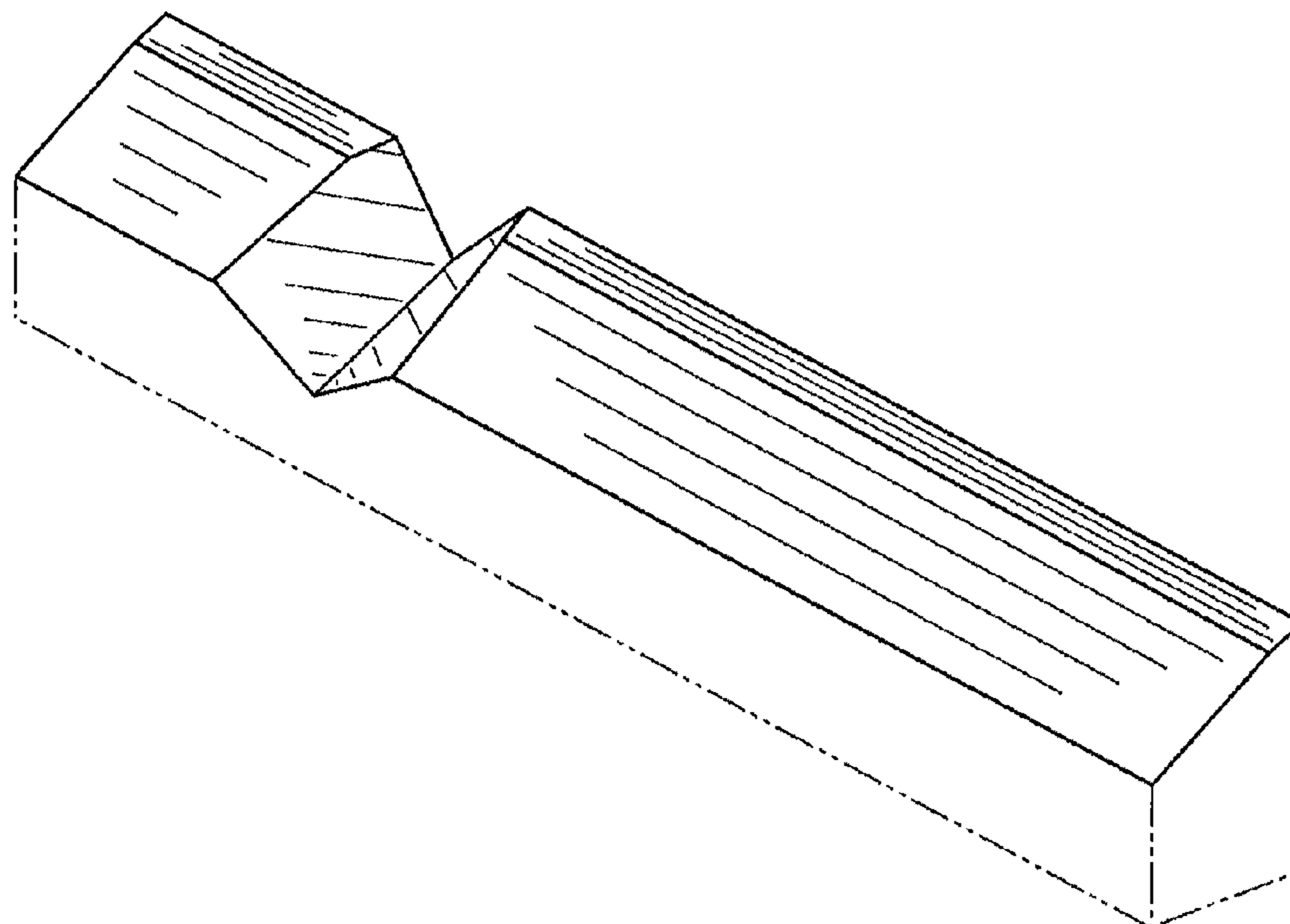
(57) **CLAIM**

I claim the ornamental design for a cutting blade, as shown and described.

DESCRIPTION

FIG. 1 is a perspective view of a cutting blade in accordance with the present invention;
 FIG. 2 is a top plan view of the cutting blade of FIG. 1, in accordance with the present invention;
 FIG. 3 is a bottom plan view of the cutting blade of FIG. 1, in accordance with the present invention;
 FIG. 4 is a left side elevational view of the cutting blade of FIG. 1, in accordance with the present invention;
 FIG. 5 is a right side elevational view of the cutting blade of FIG. 1, in accordance with the present invention;
 FIG. 6 is a front view of the cutting blade of FIG. 1, in accordance with the present invention; and,
 FIG. 7 is a rear view of the cutting blade of FIG. 1, in accordance with the present invention.
 The broken lines shown in the drawings are included for purposes of illustrating portions of the cutting blade and form no part of the claimed design. The surface shading lines show contour and/or distinguish between open and solid areas. The surface shading lines are not surface ornamentation.

1 Claim, 2 Drawing Sheets



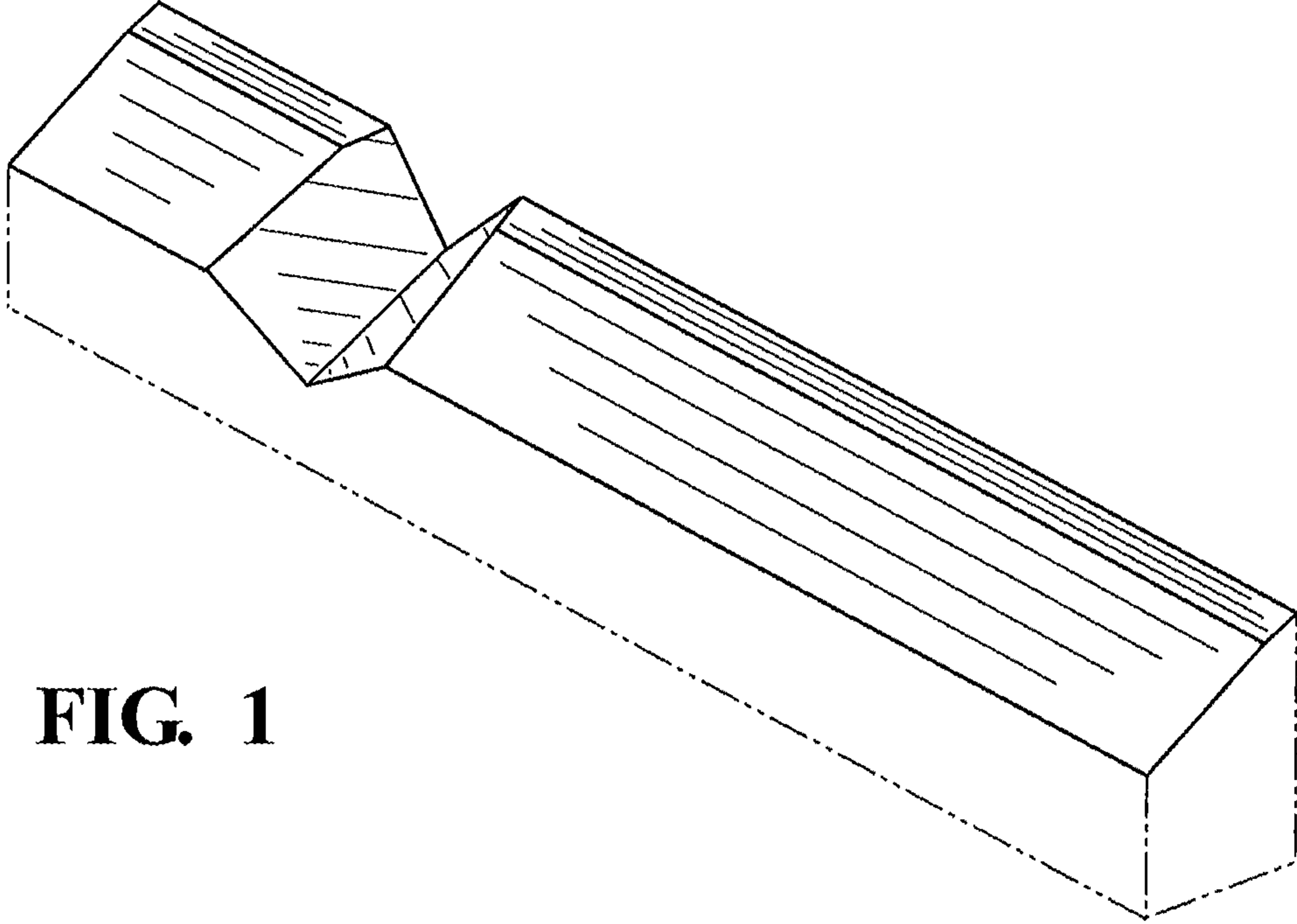


FIG. 1

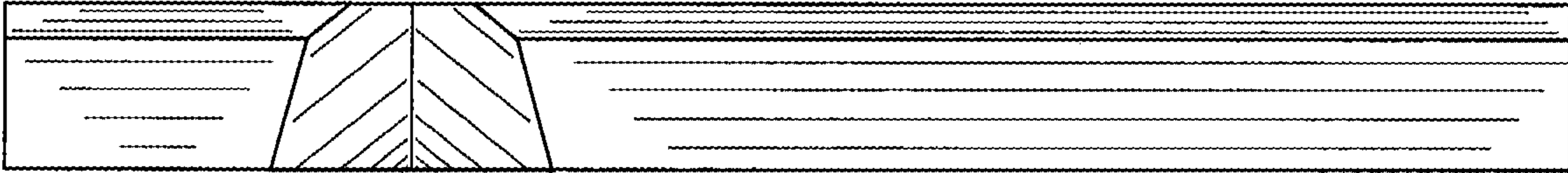


FIG. 2

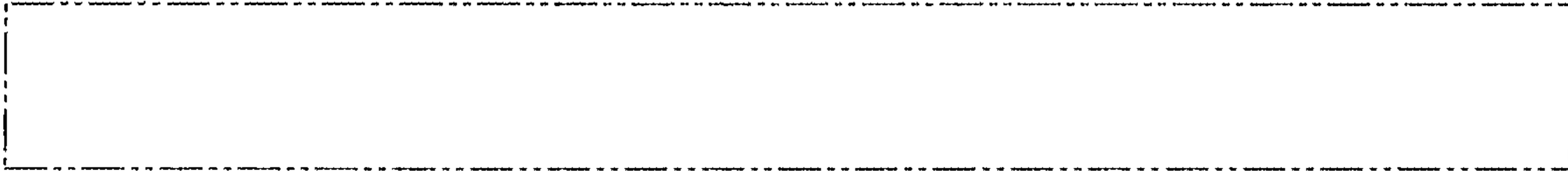


FIG. 3

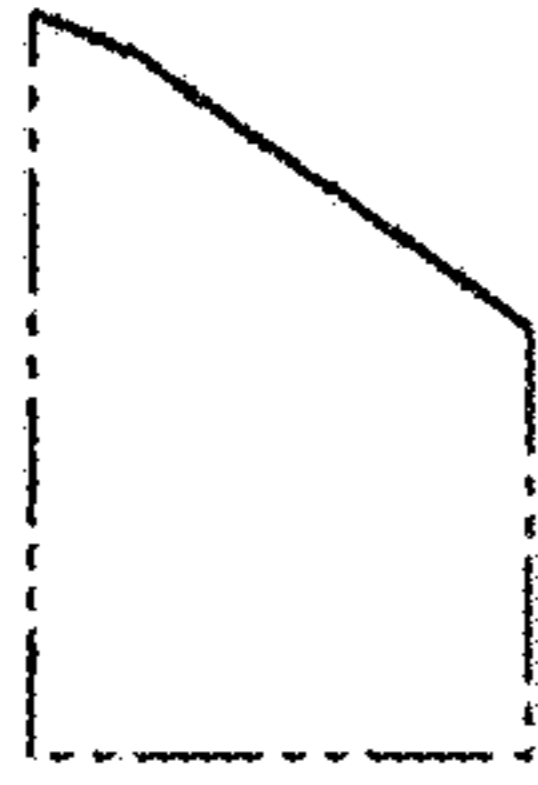


FIG. 4

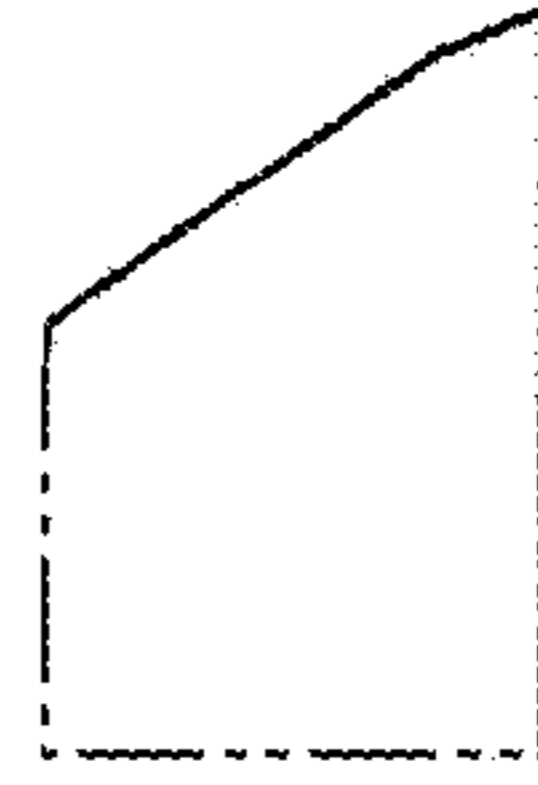


FIG. 5

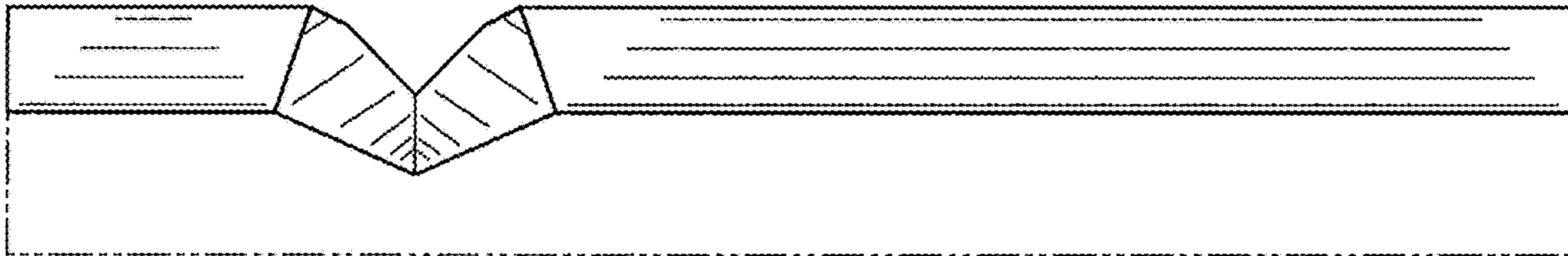


FIG. 6



FIG. 7