



US00D872142S

(12) **United States Design Patent**
Lyon

(10) **Patent No.:** **US D872,142 S**
(45) **Date of Patent:** **** Jan. 7, 2020**

(54) **DRILL BIT FOR A DOWN-THE-HOLE DRILL HAMMER**

(71) Applicant: **Center Rock Inc.**, Berlin, PA (US)

(72) Inventor: **Leland H. Lyon**, Roanoke, VA (US)

(73) Assignee: **Center Rock Inc.**, Berlin, PA (US)

(**) Term: **15 Years**

(21) Appl. No.: **29/622,653**

(22) Filed: **Oct. 18, 2017**

Related U.S. Application Data

(63) Continuation-in-part of application No. 14/718,673, filed on May 21, 2015, now Pat. No. 9,821,422.

(51) **LOC (12) Cl.** **15-09**

(52) **U.S. Cl.**
USPC **D15/139**

(58) **Field of Classification Search**
USPC D8/6; D15/28, 131, 132, 138, 139
CPC E21B 10/36; E21B 10/38; E21B 10/46;
E21B 10/56
See application file for complete search history.

(56) **References Cited**

U.S. PATENT DOCUMENTS

3,918,538	A *	11/1975	Bender	E21B 10/26 175/417
4,073,354	A	2/1978	Rowley et al.		
4,323,130	A	4/1982	Dennis		
4,919,221	A *	4/1990	Pascale	E21B 10/36 173/132
5,890,551	A *	4/1999	Liljebrand	E21B 10/56 175/414
6,039,127	A *	3/2000	Myers	E21B 10/38 175/425
6,435,288	B1 *	8/2002	Dobran	E21B 10/38 175/393

D496,948	S *	10/2004	Charland	D15/139
7,117,939	B1 *	10/2006	Hawley	E21B 10/36 166/99
7,290,626	B2 *	11/2007	Terlet	E21B 10/38 175/296
D611,512	S *	3/2010	Sundin	D15/139
D611,970	S *	3/2010	Sundin	D15/139
D705,827	S *	5/2014	Hammargren	D15/139
D831,714	S *	10/2018	Osterholm	D15/139
2002/0153174	A1 *	10/2002	Linden	E21B 10/56 175/426
2004/0040752	A1 *	3/2004	Brandenberg	B22D 19/06 175/420.1
2006/0060389	A1 *	3/2006	Hadin	E21B 10/38 175/415
2006/0162965	A1 *	7/2006	Hadin	E21B 10/36 175/296

(Continued)

Primary Examiner — Patricia A Palasik

(74) *Attorney, Agent, or Firm* — Kim IP Law Group PLLC

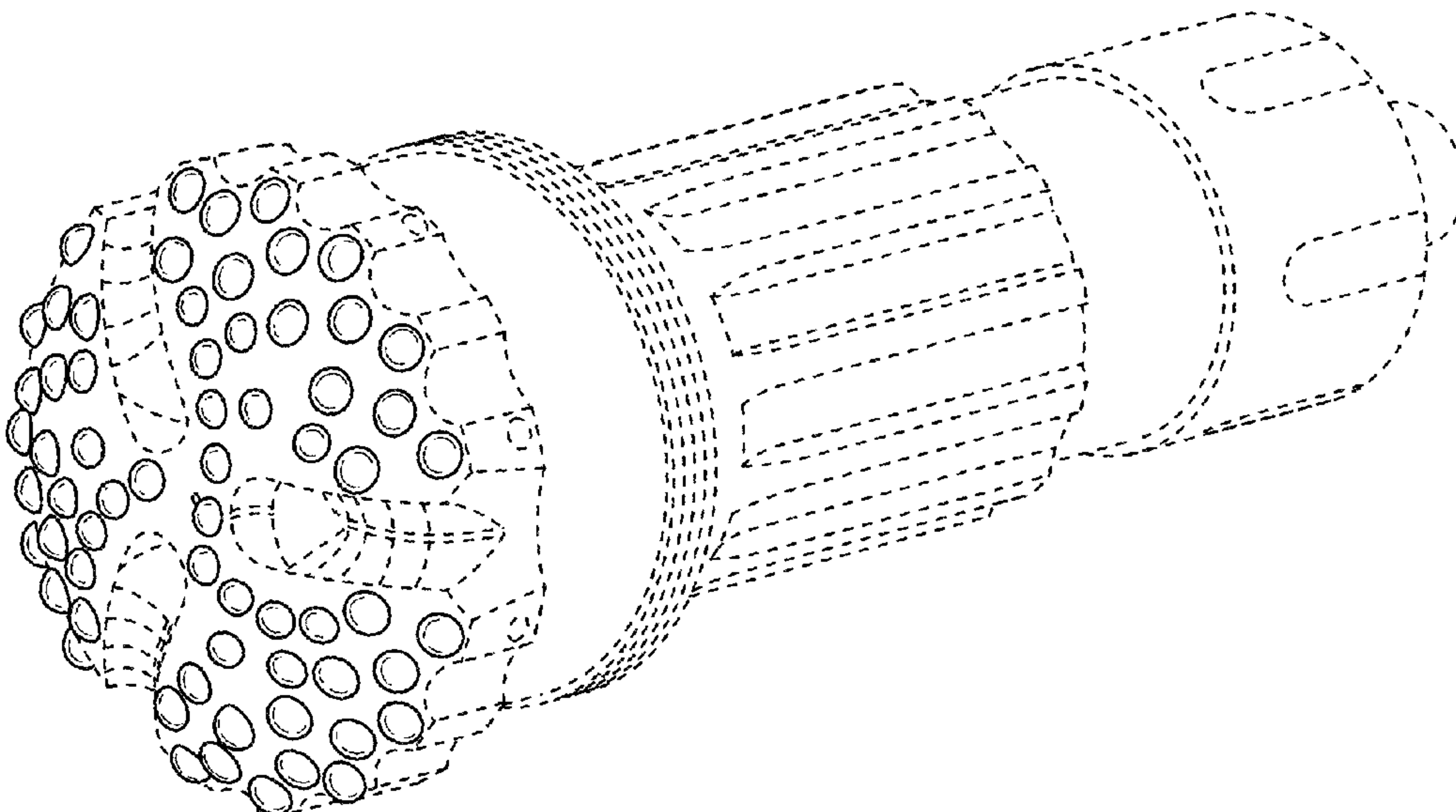
(57) **CLAIM**

The ornamental design for a drill bit for a down-the-hole drill hammer, as shown and described.

DESCRIPTION

FIG. 1 is a perspective view of a drill bit in accordance with the new design;
FIG. 2 is a bottom plan view of the drill bit of FIG. 1;
FIG. 3 is a right side elevation view of the drill bit of FIG. 1;
FIG. 4 is a front side elevation view of the drill bit of FIG. 1;
FIG. 5 is a left side elevation view of the drill bit of FIG. 1; and,
FIG. 6 is a rear side elevation view of the drill bit of FIG. 1.
The broken lines in FIGS. 1-6 illustrate portions of the drill bit which form no part of the claimed design.

1 Claim, 3 Drawing Sheets



(56)

References Cited

U.S. PATENT DOCUMENTS

2007/0137900 A1* 6/2007 Bjork E21B 10/38
175/414
2009/0321143 A1 12/2009 Lyon
2011/0240373 A1 10/2011 Lyon et al.

* cited by examiner

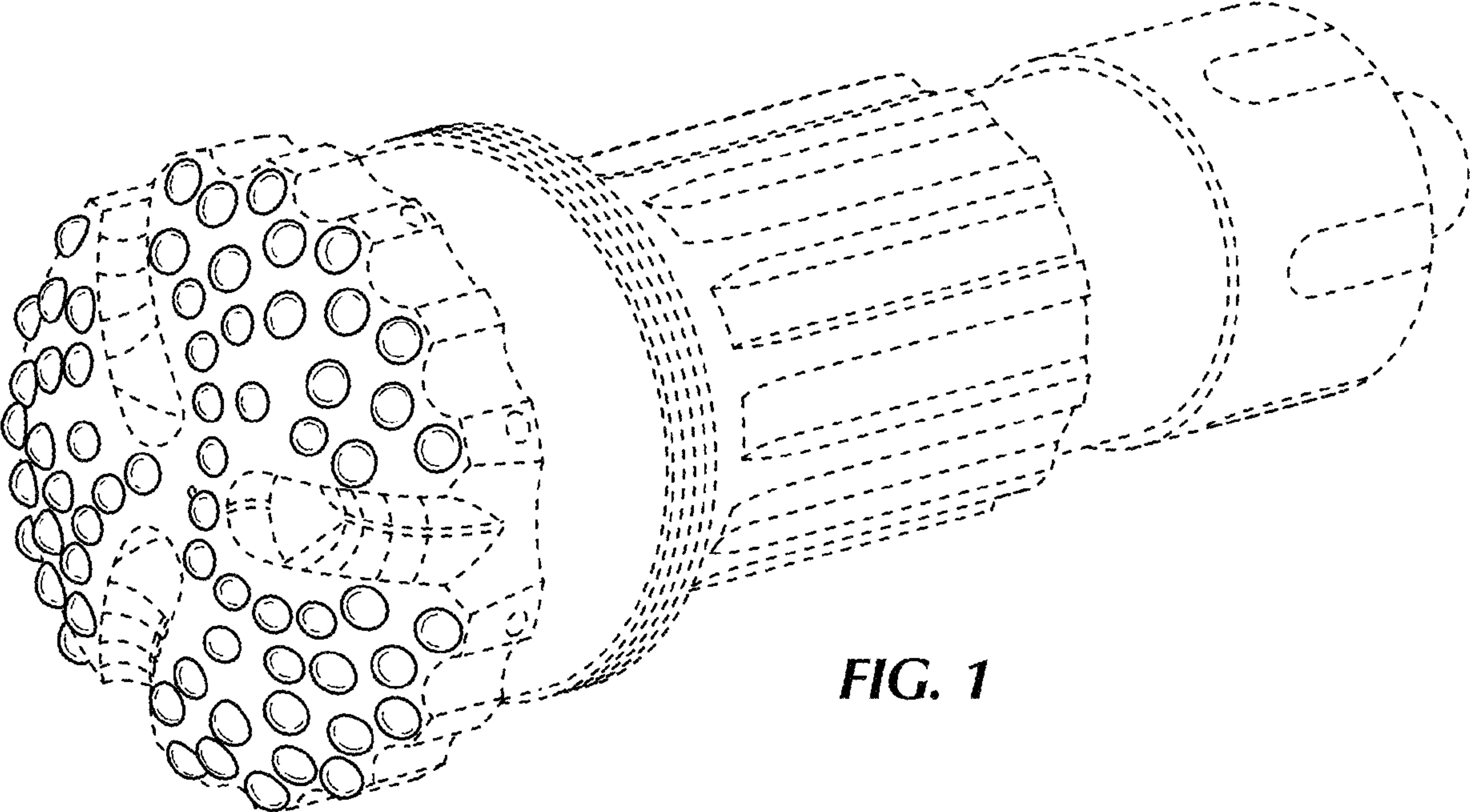


FIG. 1

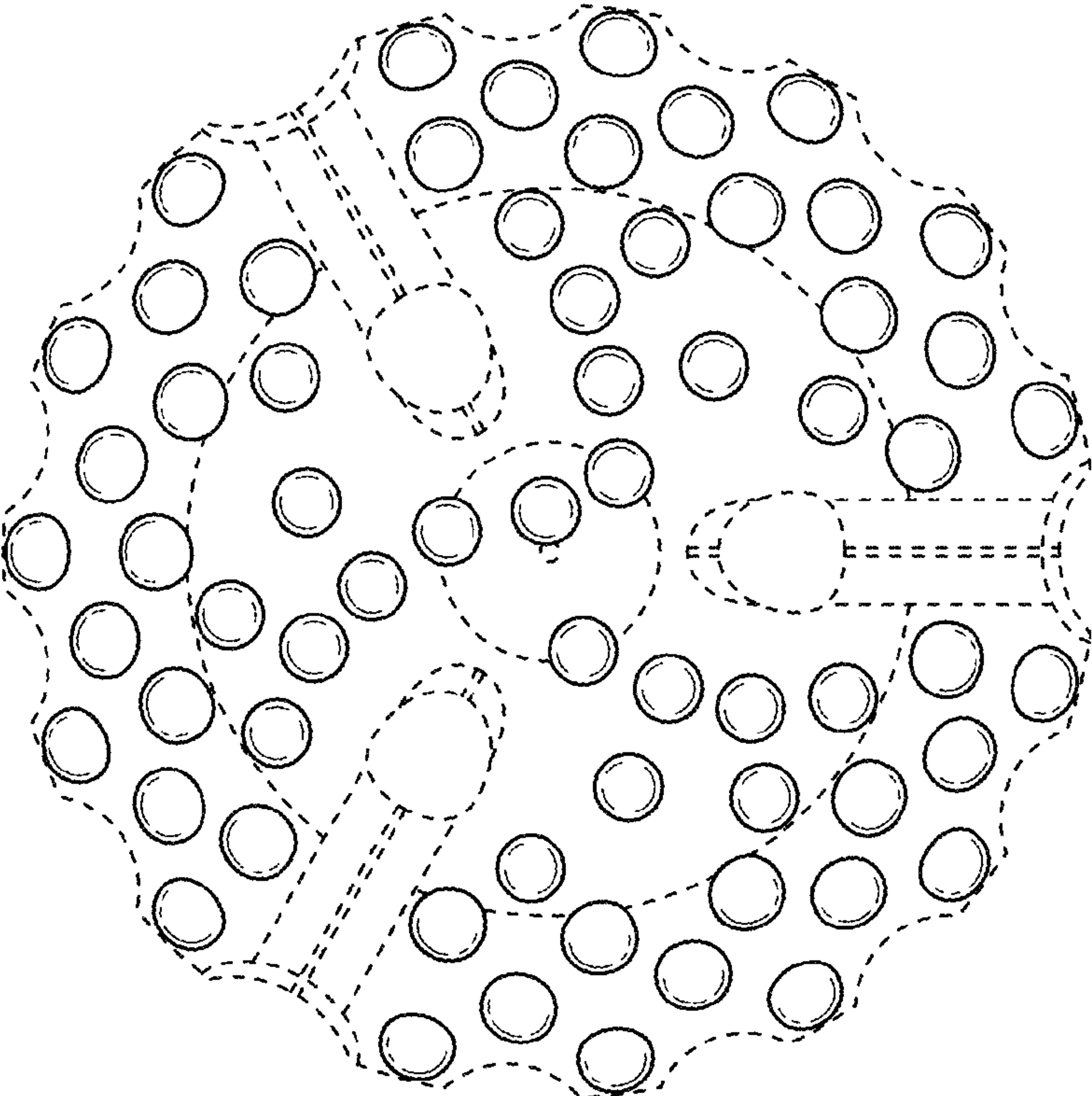


FIG. 2

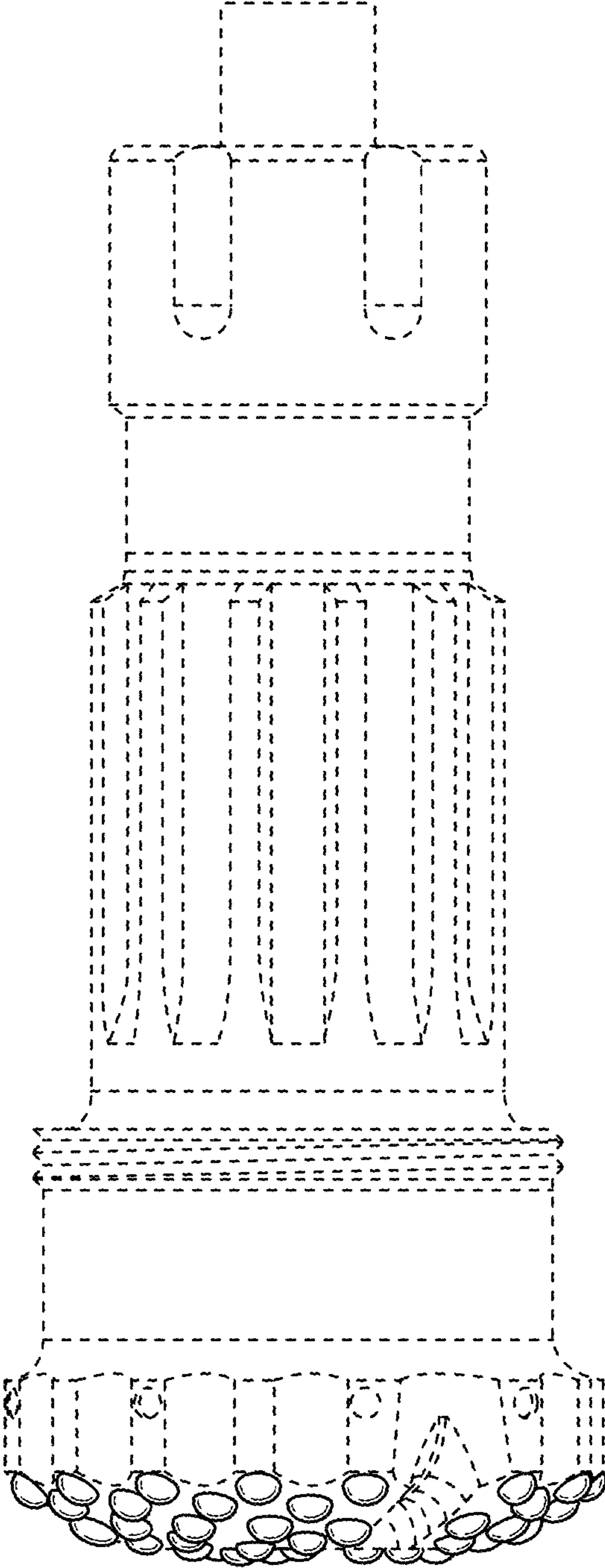


FIG. 3

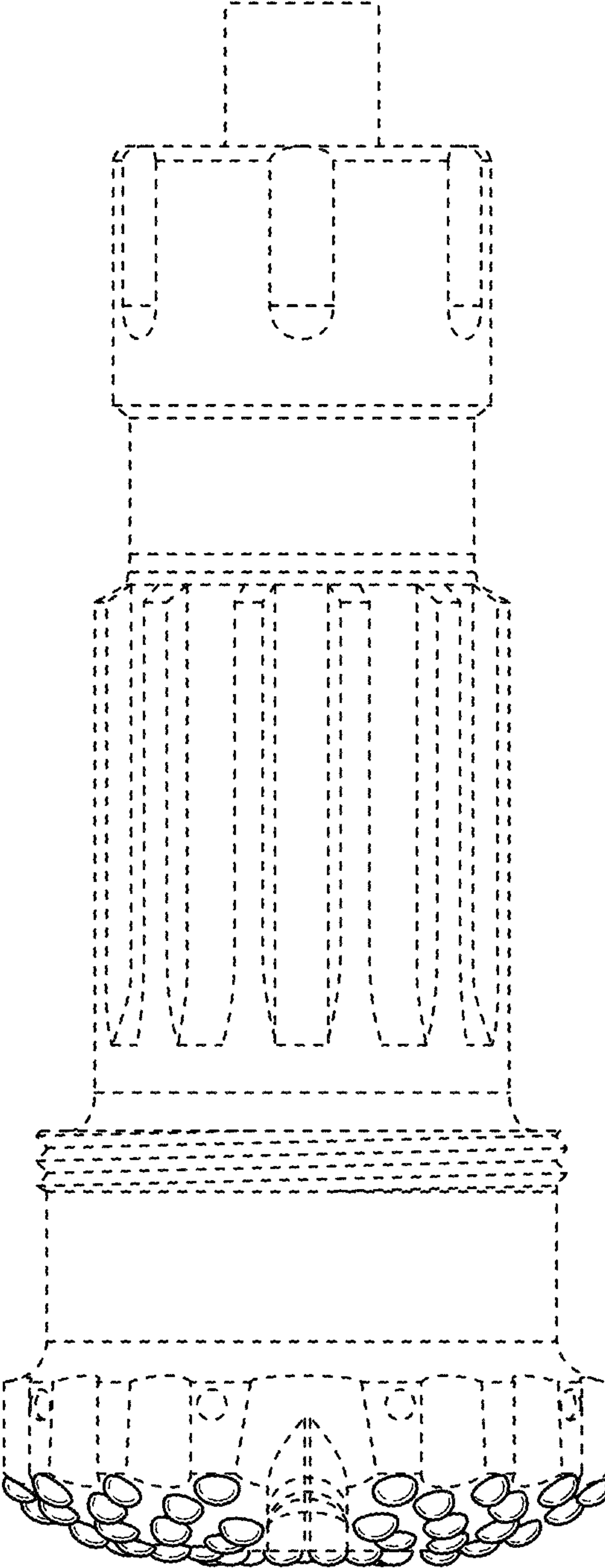


FIG. 4

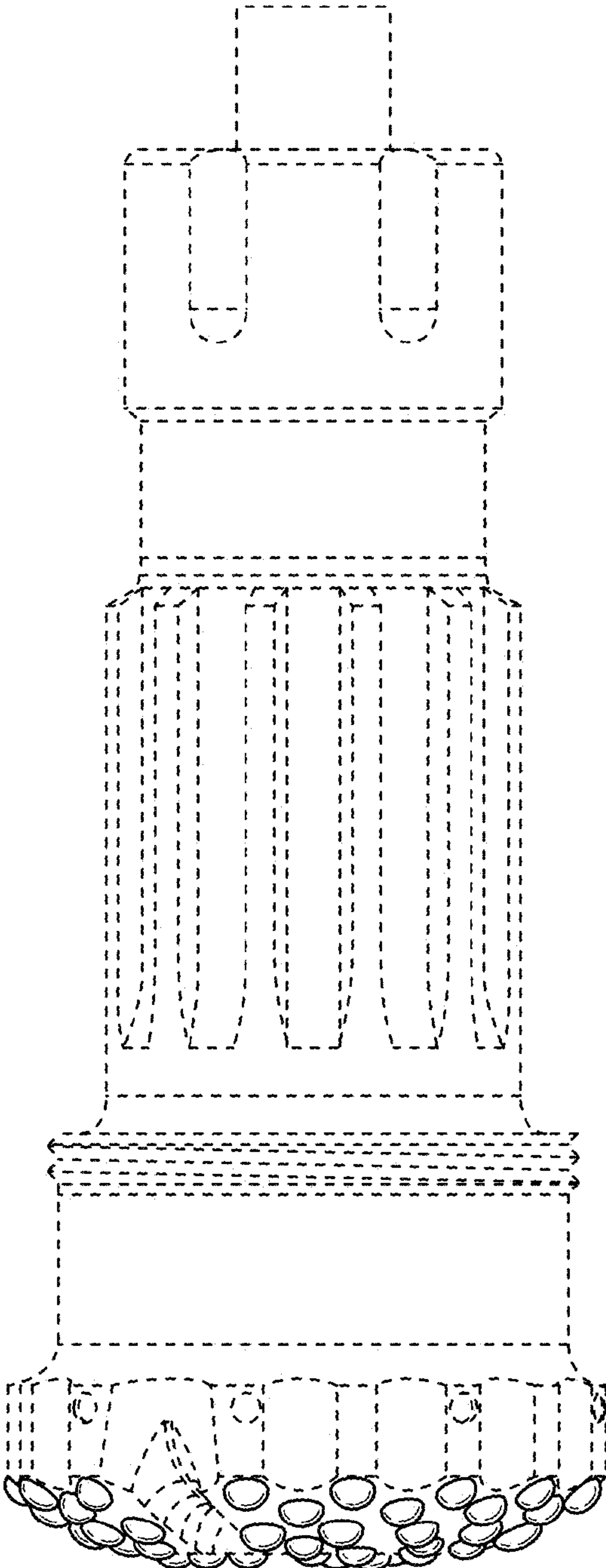


FIG. 5

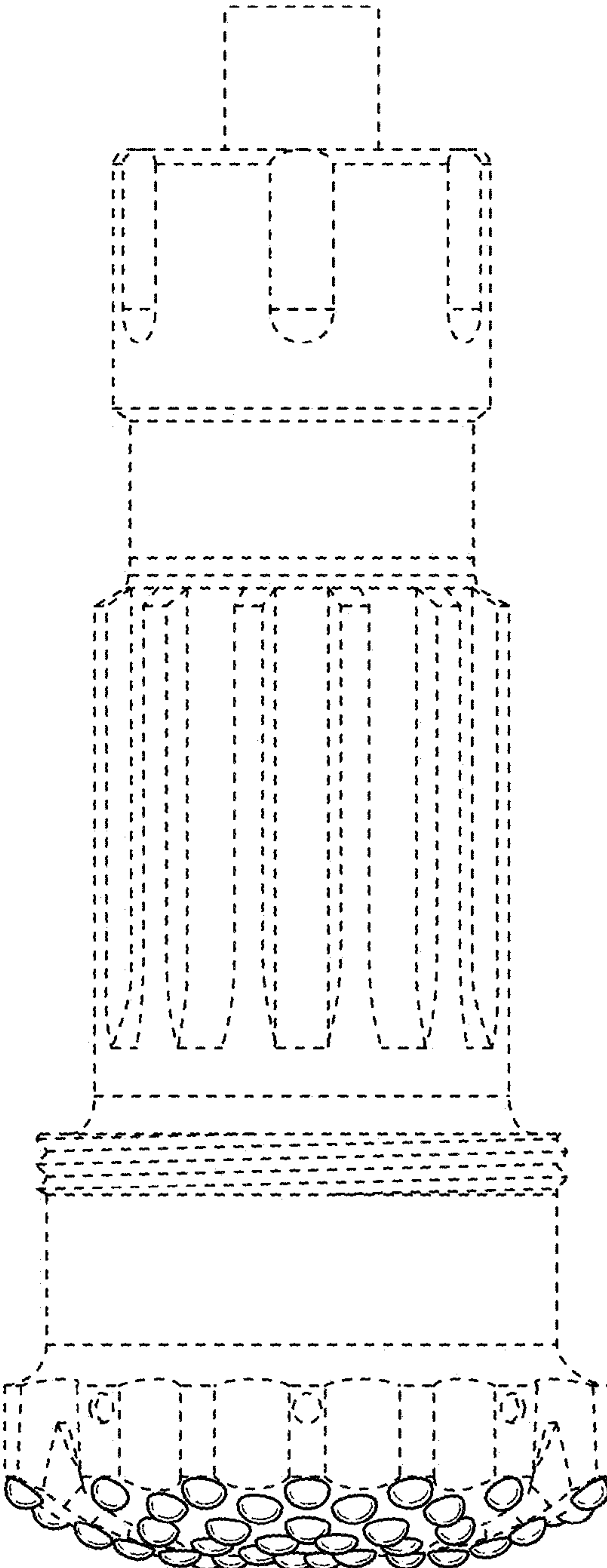


FIG. 6