

US00D872141S

(12) **United States Design Patent**  
**Adcock et al.**

(10) **Patent No.:** **US D872,141 S**  
(45) **Date of Patent:** **\*\* Jan. 7, 2020**

- (54) **JAW CRUSHER FORWARD WALL**
- (71) Applicant: **Superior Industries, Inc.**, Morris, MN (US)
- (72) Inventors: **Jarrold Adcock**, Pekin, IL (US); **Grant Holmes**, Pekin, IL (US)
- (73) Assignee: **Superior Industries, Inc.**, Morris, MN (US)

7,344,097 B2 3/2008 Young et al.  
 7,510,134 B2 3/2009 Young et al.  
 7,513,446 B2 4/2009 Young et al.  
 (Continued)

FOREIGN PATENT DOCUMENTS

WO 2008046127 A1 4/2008  
 WO 2008055315 A1 5/2008  
 WO 2016206744 A1 12/2016

OTHER PUBLICATIONS

Crushing & Mining Equipment, "CME 1100 HD: Jaw Crusher", Brochure, Jul. 10, 2014, 2 pages.  
 (Continued)

- (\*\*) Term: **15 Years**
- (21) Appl. No.: **29/659,738**
- (22) Filed: **Aug. 10, 2018**
- (51) **LOC (12) Cl.** ..... **15-09**
- (52) **U.S. Cl.**  
USPC ..... **D15/123**
- (58) **Field of Classification Search**  
USPC ..... D8/20, 70, 71; D15/122, 123, 126, 131, D15/138, 139, 140  
CPC .... B02C 1/02; B02C 1/04; B02C 1/10; B02C 13/282; B02C 19/00; B02C 23/00; B02C 2018/162; Y10T 29/49948  
See application file for complete search history.

*Primary Examiner* — Patricia A Palasik  
 (74) *Attorney, Agent, or Firm* — Todd R. Fronck; Larkin Hoffman Daly & Lindgren, Ltd.

(57) **CLAIM**

The ornamental design for a jaw crusher forward wall, as shown and described.

**DESCRIPTION**

FIG. 1 is a perspective view of a jaw crusher forward wall showing our new design;  
 FIG. 2 is a front elevation view thereof;  
 FIG. 3 is a left elevation view thereof;  
 FIG. 4 is a right elevation view thereof;  
 FIG. 5 is a plan view thereof; and,  
 FIG. 6 is a bottom view thereof.

The broken lines showing the jaw crusher are for purposes of illustrating environmental structure of the jaw crusher forward wall and form no part of the claimed design.

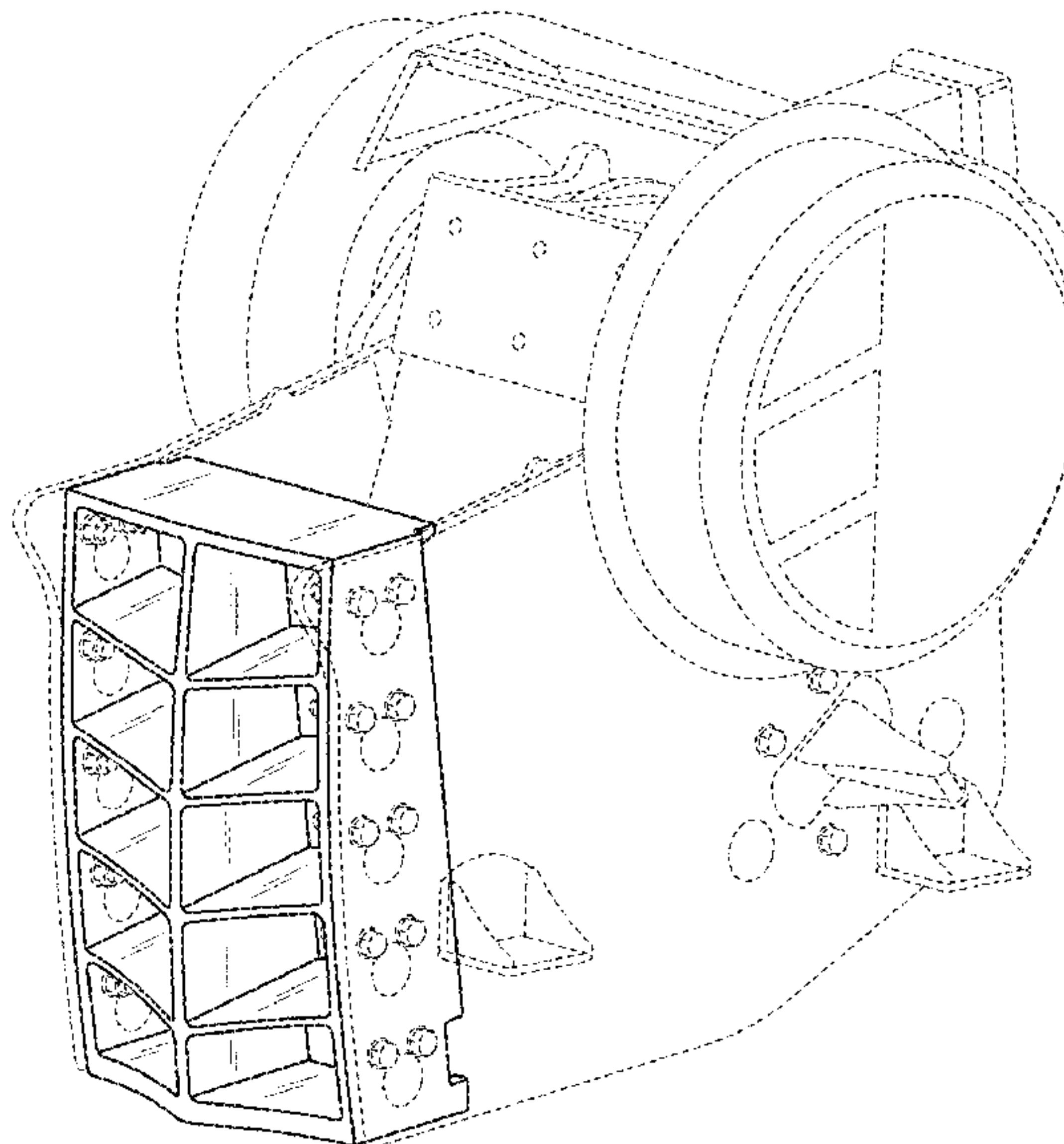
The rear of the jaw crusher forward wall is disclaimed as forming no part of the claimed design because it is generally hidden from view in the environmental structure. Accordingly, the rear view of the jaw crusher forward wall is omitted.

(56) **References Cited**

U.S. PATENT DOCUMENTS

- 3,140,057 A \* 7/1964 Pollitz ..... B02C 1/04 241/285.1
- 4,244,532 A \* 1/1981 Kroening ..... B02C 1/10 228/165
- 4,927,089 A 5/1990 Altmayer
- 4,989,797 A \* 2/1991 DeDiemar ..... B02C 1/04 241/264
- 5,172,869 A \* 12/1992 Kitsukawa ..... B02C 1/02 241/264
- 6,126,101 A 10/2000 Ostergaard
- 6,155,507 A 12/2000 Ostergaard
- 6,641,068 B2 11/2003 Ostergaard

**1 Claim, 6 Drawing Sheets**



(56)

References Cited

U.S. PATENT DOCUMENTS

8,757,530 B2 6/2014 Sutti et al.  
 8,777,145 B2 7/2014 Sutti et al.  
 D719,195 S \* 12/2014 Ljunggren ..... D15/123  
 8,925,171 B2 1/2015 Eriksson et al.  
 9,283,564 B2 3/2016 Sutti et al.  
 9,327,289 B2 5/2016 Sutti  
 9,339,820 B2 5/2016 Lindberg et al.  
 9,421,547 B2 8/2016 Boast et al.  
 2003/0183707 A1\* 10/2003 Bratton ..... B02C 1/04  
 241/60  
 2009/0289168 A1 11/2009 Lindberg et al.  
 2010/0044486 A1\* 2/2010 Holmes ..... B02C 1/04  
 241/264  
 2011/0114766 A1\* 5/2011 Hazarika ..... B02C 19/00  
 241/15  
 2012/0119003 A1\* 5/2012 Watts ..... B02C 18/12  
 241/30  
 2013/0099038 A1\* 4/2013 Hartl ..... B02C 1/025  
 241/264  
 2013/0153697 A1\* 6/2013 Ito ..... B02C 1/025  
 241/36  
 2015/0048189 A1 2/2015 Lindberg et al.  
 2015/0102150 A1 4/2015 Lindberg et al.

2015/0122927 A1\* 5/2015 Boehlefeld ..... B02C 18/142  
 241/285.1  
 2015/0328642 A1\* 11/2015 Shegerian ..... B02C 18/16  
 241/30  
 2015/0352555 A1\* 12/2015 Svensson ..... B02C 1/025  
 241/268  
 2016/0089676 A1\* 3/2016 Tondelli ..... B02C 18/145  
 241/243  
 2016/0121338 A1 5/2016 Jonkka  
 2016/0288127 A1 10/2016 Viilo  
 2016/0303570 A1\* 10/2016 Jokiranta ..... B02C 1/025  
 2018/0126388 A1\* 5/2018 Neufeldt ..... B02C 18/142

OTHER PUBLICATIONS

Eagle Crusher Company, Inc., "Eagle & Eagle Austin-Western Jaw Crushers", Brochure, Galion, Ohio; 2015, 3 pages.  
 FLSmidth AIS, "TST Jaw Crusher", Brochure, Midvale, Utah; 2013, 8 pages.  
 Metso Corporation, "Jaw Crusher Nordberg C130", Brochure, Tampere, Finland; 2016, 3 pages.  
 Terex Minerals Processing Systems, "JW Series World Jaw", Brochure, Jun. 2010, 16 pages.

\* cited by examiner

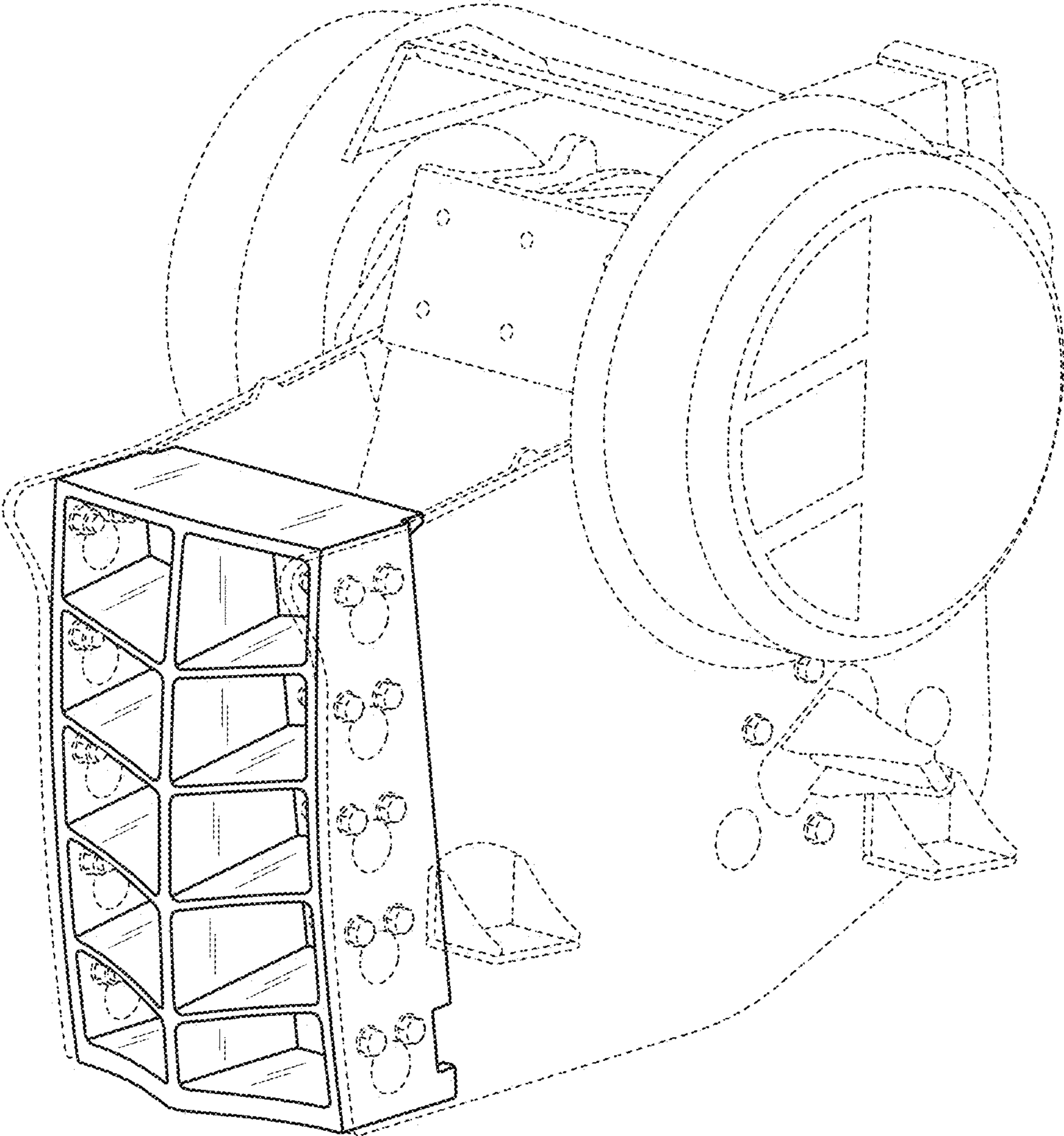
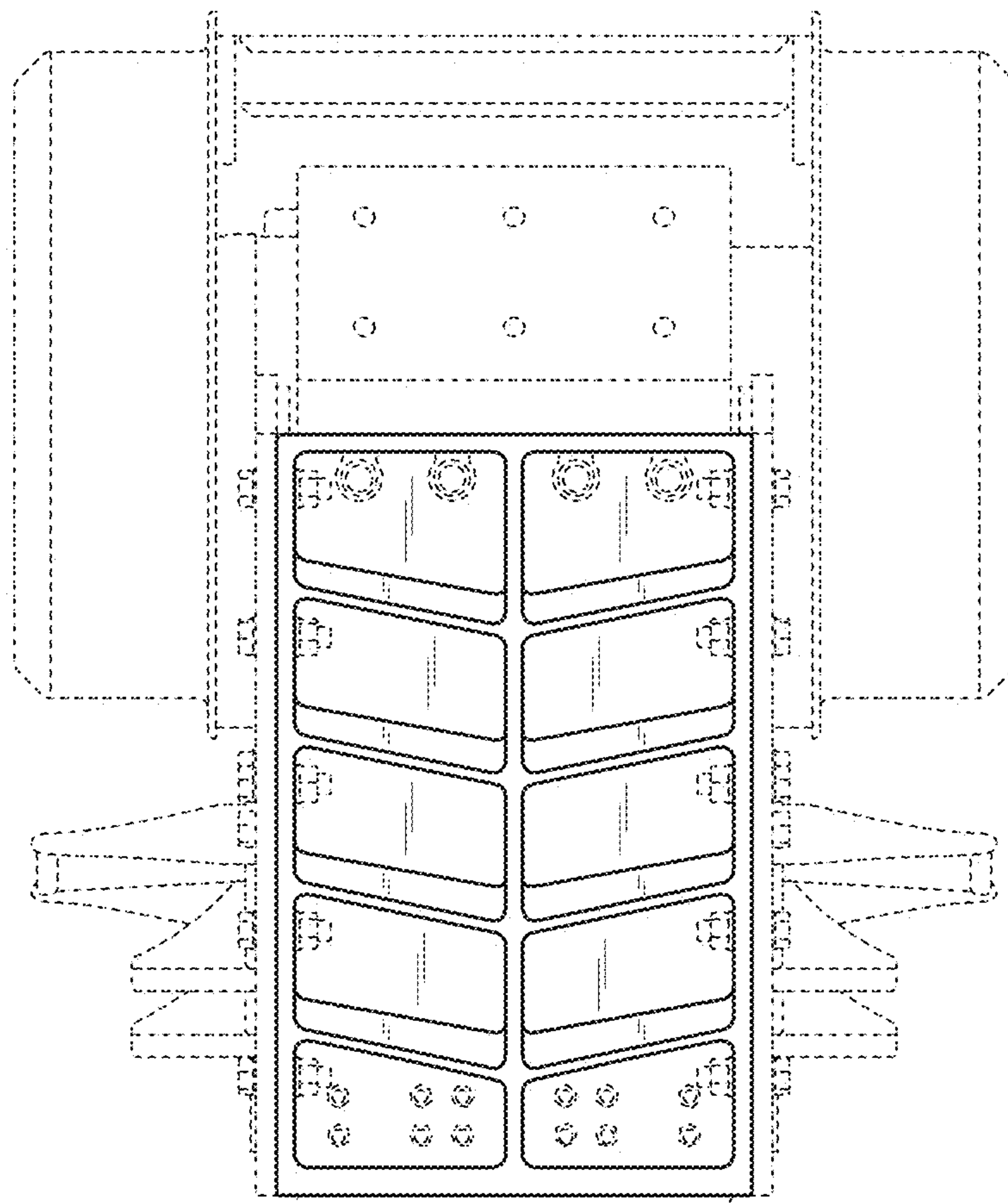
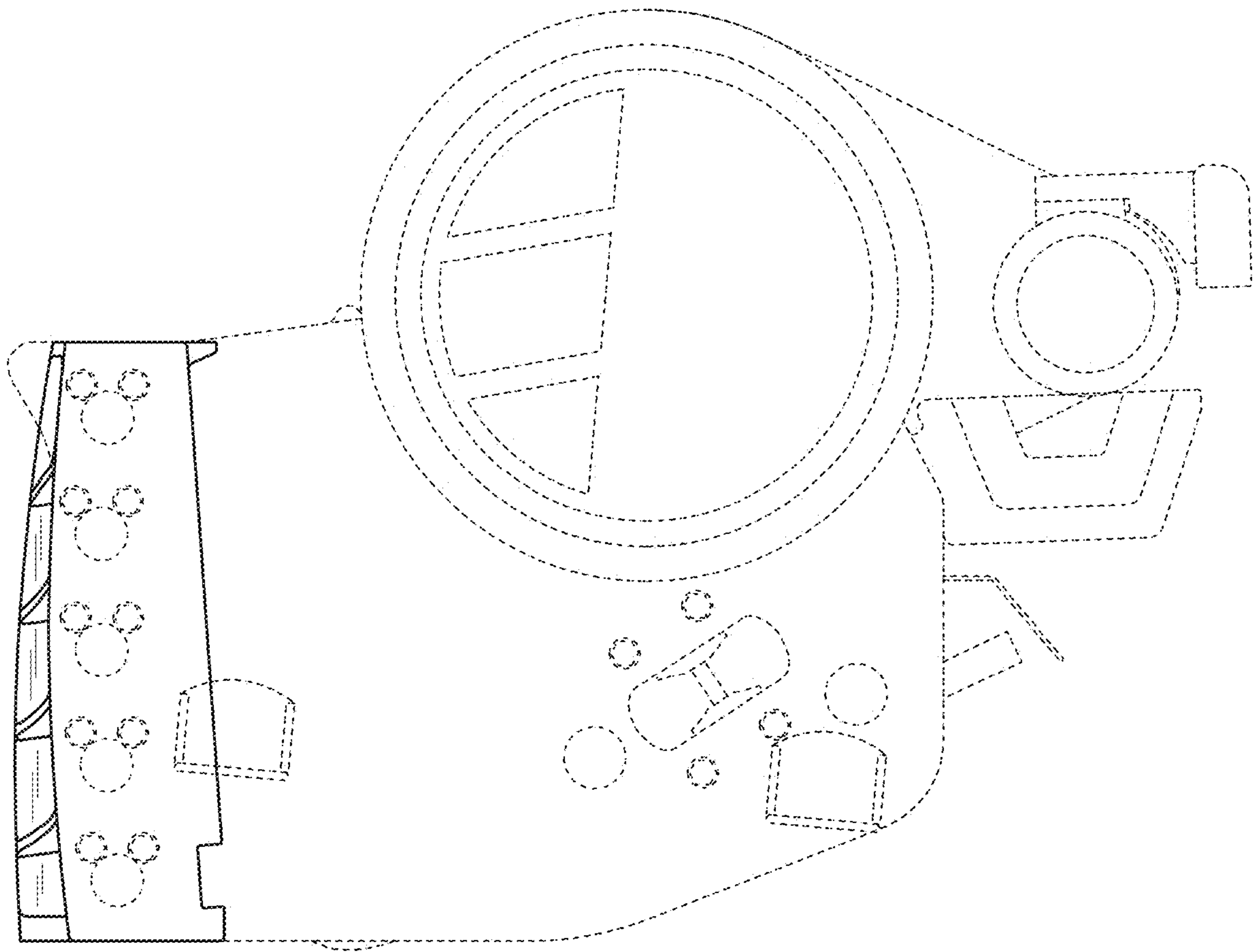


Fig. 1

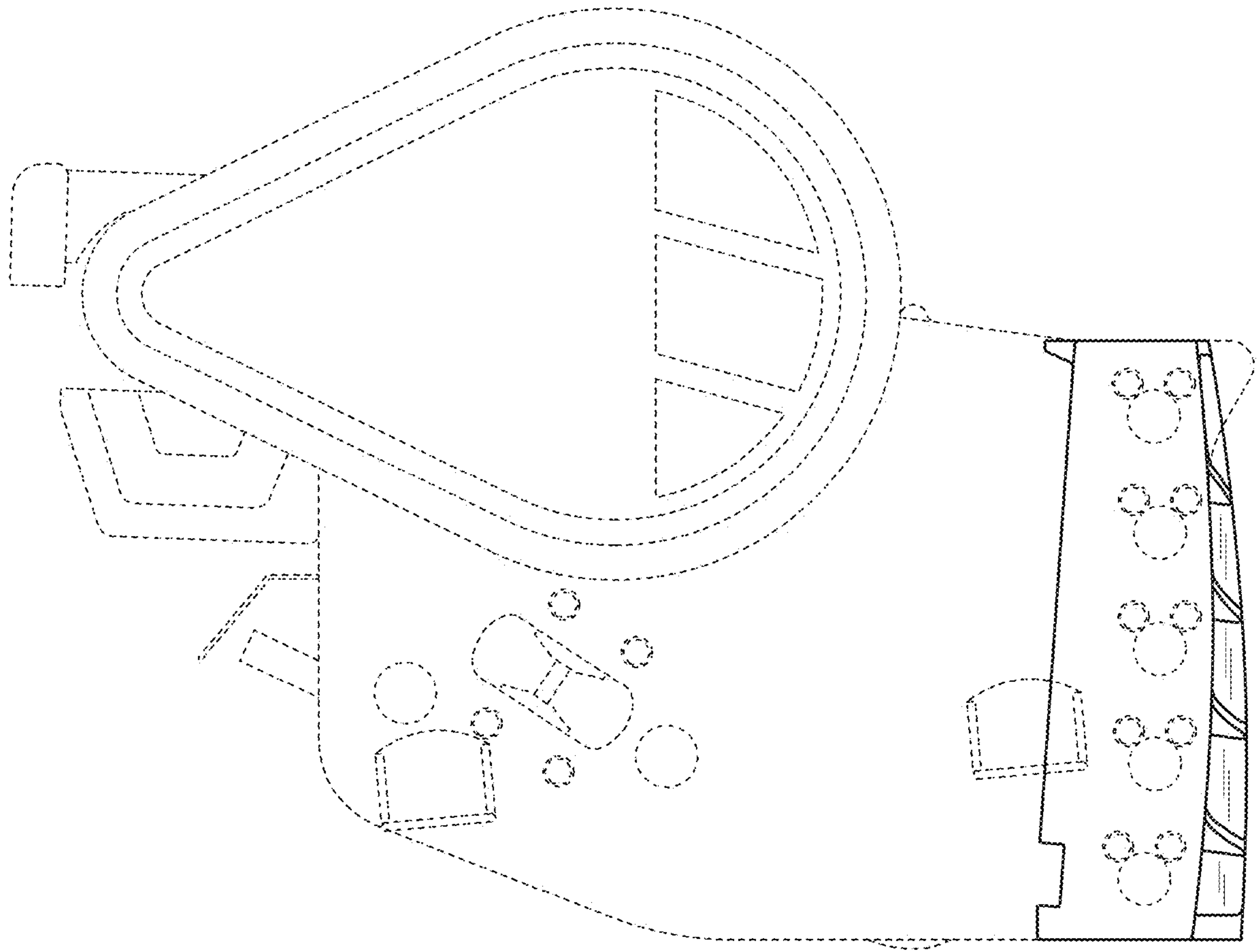


**Fig. 2**

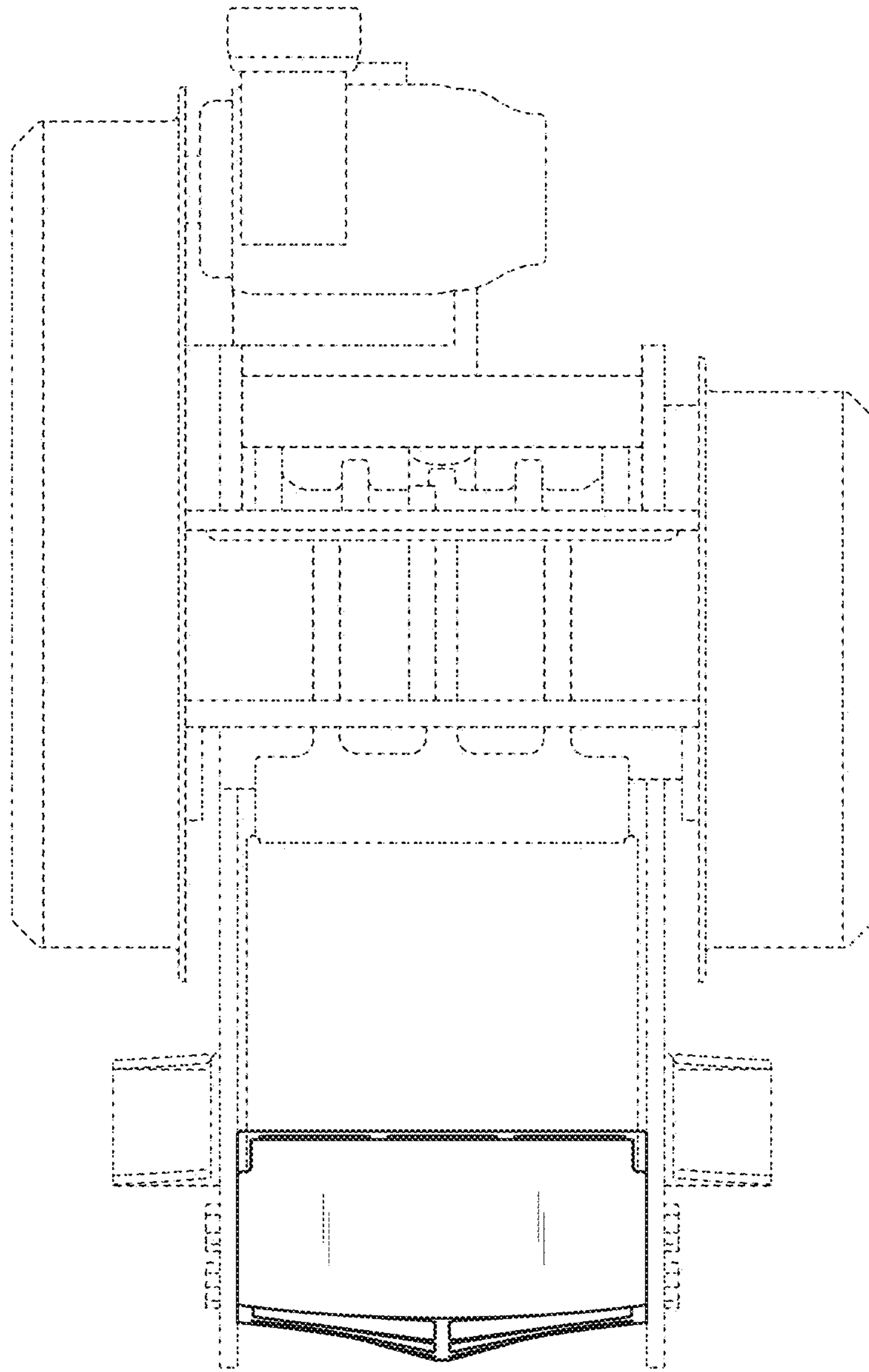




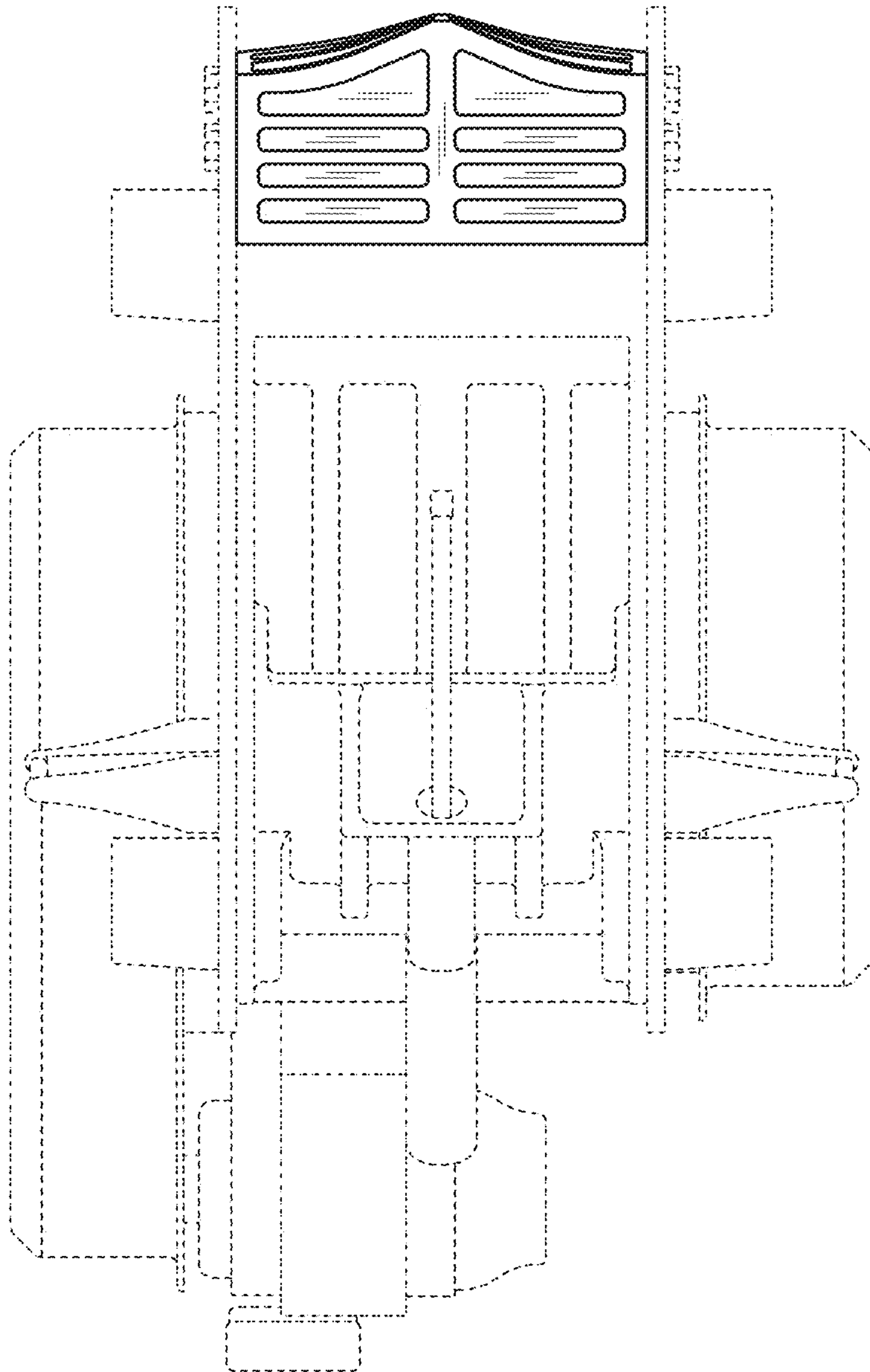
**Fig. 3**



**Fig. 4**



**Fig. 5**



**Fig. 6**