



US00D872136S

(12) **United States Design Patent**
Wise et al.

(10) **Patent No.: US D872,136 S**
(45) **Date of Patent: ** Jan. 7, 2020**

(54) **TANK**

FOREIGN PATENT DOCUMENTS

(71) Applicant: **Northern Tool & Equipment Company, Inc.**, Burnsville, MN (US)

AU 201812026 W 5/2018
CL 2018001032 W 9/2018

(Continued)

(72) Inventors: **Nathan Wise**, Farmington, MN (US);
Joseph DeGezelle, Lakeville, MN (US)

OTHER PUBLICATIONS

(73) Assignee: **Northern Tool & Equipment Company, Inc.**, Burnsville, MN (US)

Owner's Manual M157565—"Trailer Mounted Dual Gun Hot Water/Steam Pressure Washer. <https://northerntool.com/images/downloads/manuals/157565>."

(Continued)

(**) Term: **15 Years**

(21) Appl. No.: **29/709,101**

Primary Examiner — Mark A Goodwin

(22) Filed: **Oct. 11, 2019**

(74) *Attorney, Agent, or Firm* — Fafinski Mark & Johnson, P.A.; Naomi Mann

Related U.S. Application Data

(63) Continuation of application No. 29/642,878, filed on Apr. 3, 2018, now Pat. No. Des. 863,371.

(51) **LOC (12) Cl.** **15-03**

(52) **U.S. Cl.**

USPC **D15/28**; D12/218

(58) **Field of Classification Search**

USPC D15/28, 15, 23, 17; D12/218; 280/834, 280/288.4, 830, 124.1, 835; 180/69.4, 180/69.5, 89.12, 900, 225; 220/564, 524, 220/555, 567.2; 123/518–520

CPC B60K 15/00; B60K 15/03; B60K 15/07; B60K 15/0306; B60K 15/063; B60K 15/073; B62D 21/16; F02M 37/0094

See application file for complete search history.

(57)

CLAIM

The ornamental design for a tank, as shown and described.

DESCRIPTION

FIG. 1 is a front right oriented perspective view of the tank according to an embodiment of our design;

FIG. 2 is a right rear oriented perspective view of the tank shown in FIG. 1;

FIG. 3 is a front elevational view of the tank shown in FIG. 1;

FIG. 4 is a rear elevational view of the tank shown in FIG. 1;

FIG. 5 is a left side elevational view of the tank shown in FIG. 1;

FIG. 6 is a right side elevational view of the tank shown in FIG. 1;

FIG. 7 is a top plan view of the tank shown in FIG. 1; and, FIG. 8 is a bottom plan view of the tank shown in FIG. 1.

In FIGS. 1-8, a broken line representation of unclaimed geometry is shown, which is for illustrative purposes only and forms no portion of the claimed invention.

(56)

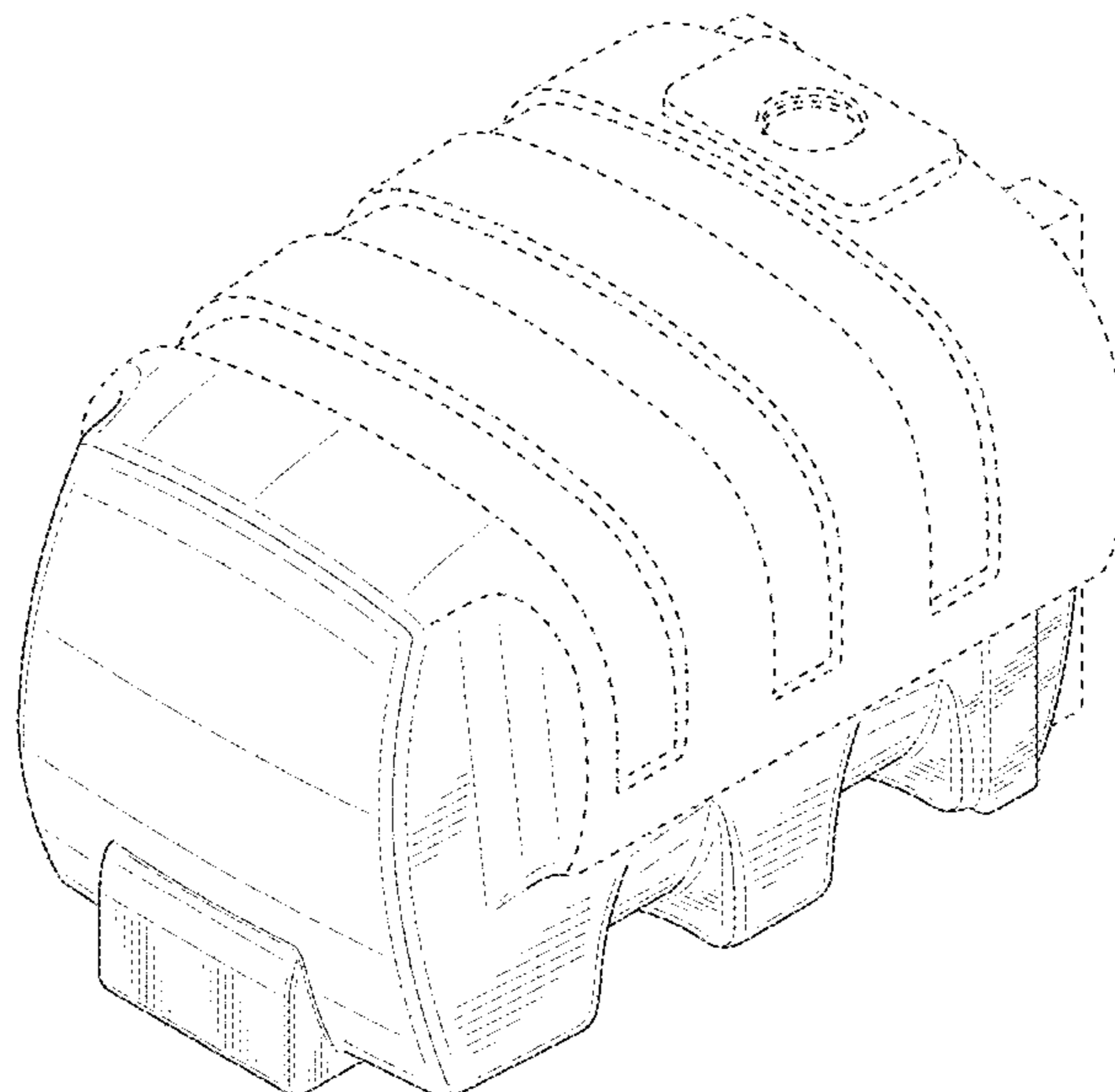
References Cited

U.S. PATENT DOCUMENTS

D258,501 S * 3/1981 Winslow D12/218
D282,921 S * 3/1986 Eureka D12/218
D290,452 S * 6/1987 Balek D12/218

(Continued)

1 Claim, 8 Drawing Sheets



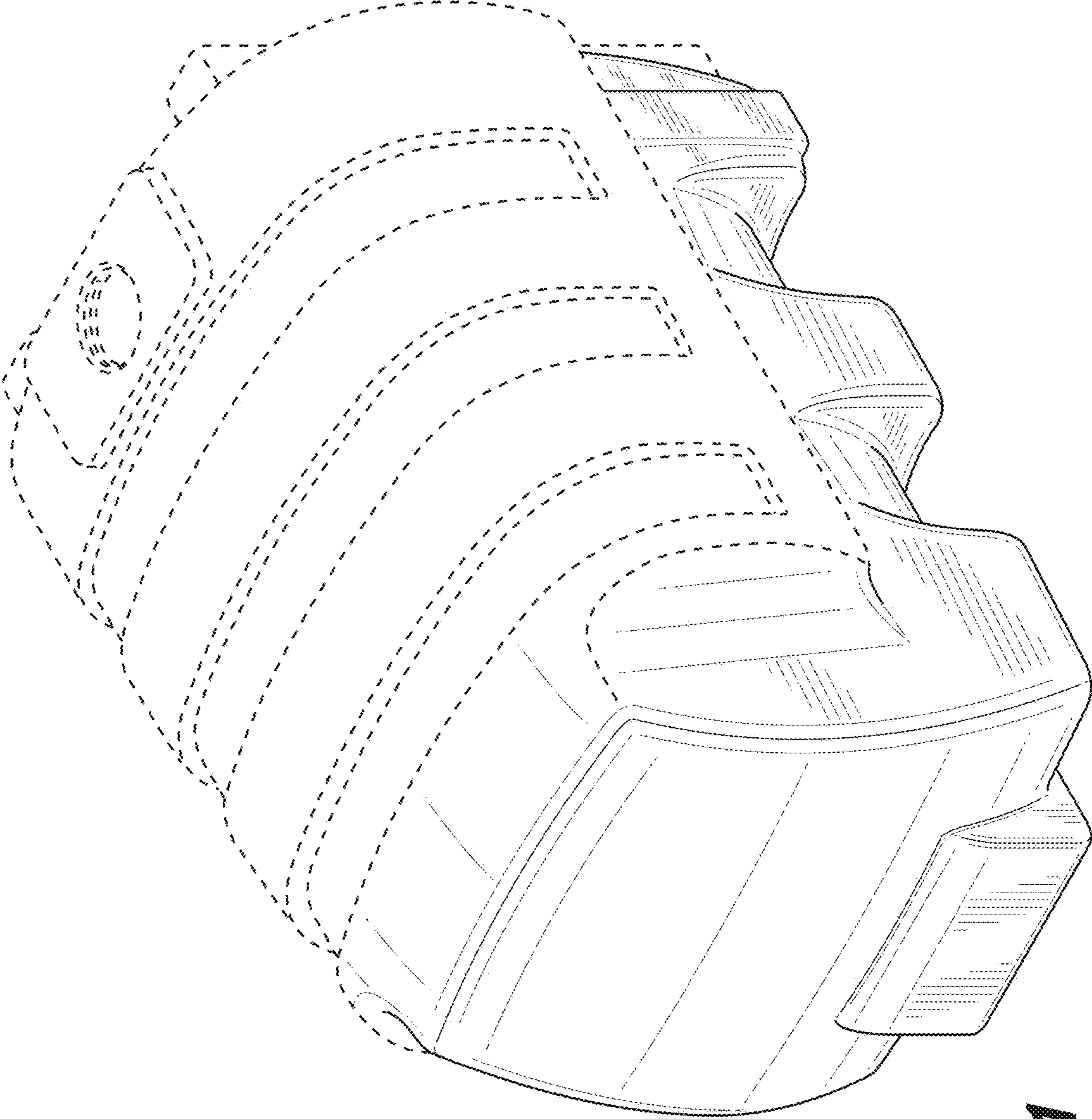


FIG. 1

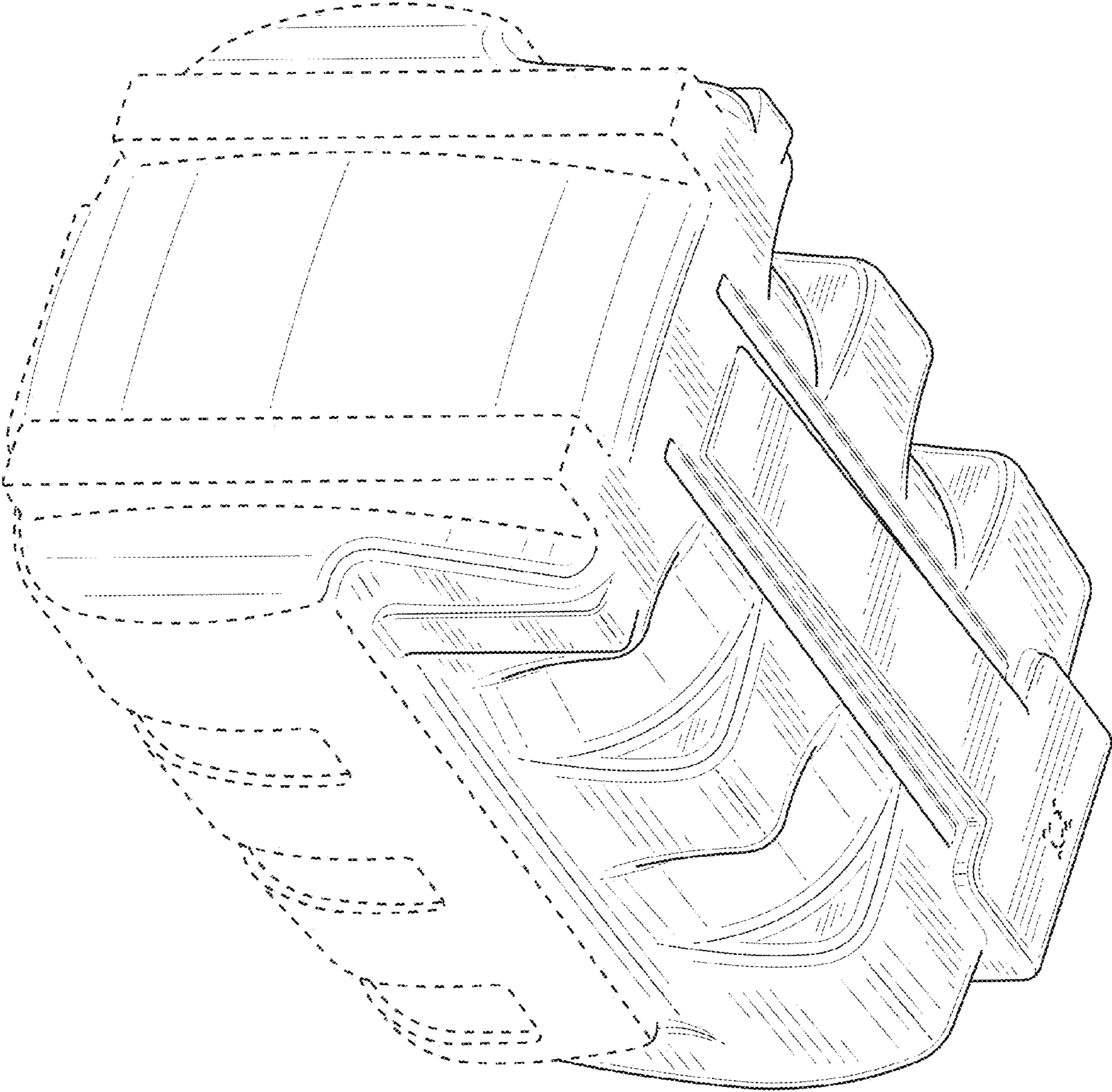


FIG. 2

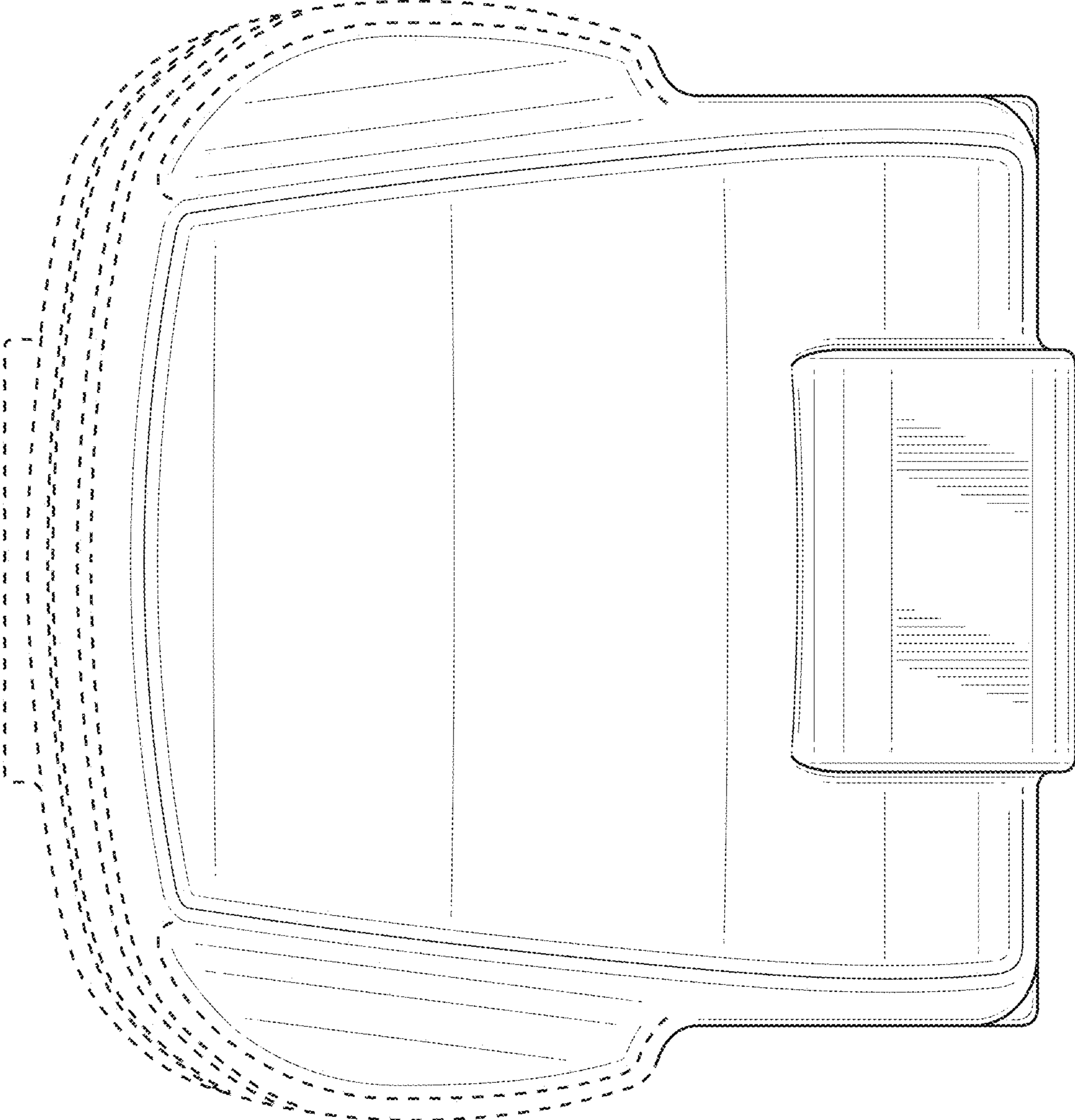


FIG. 3

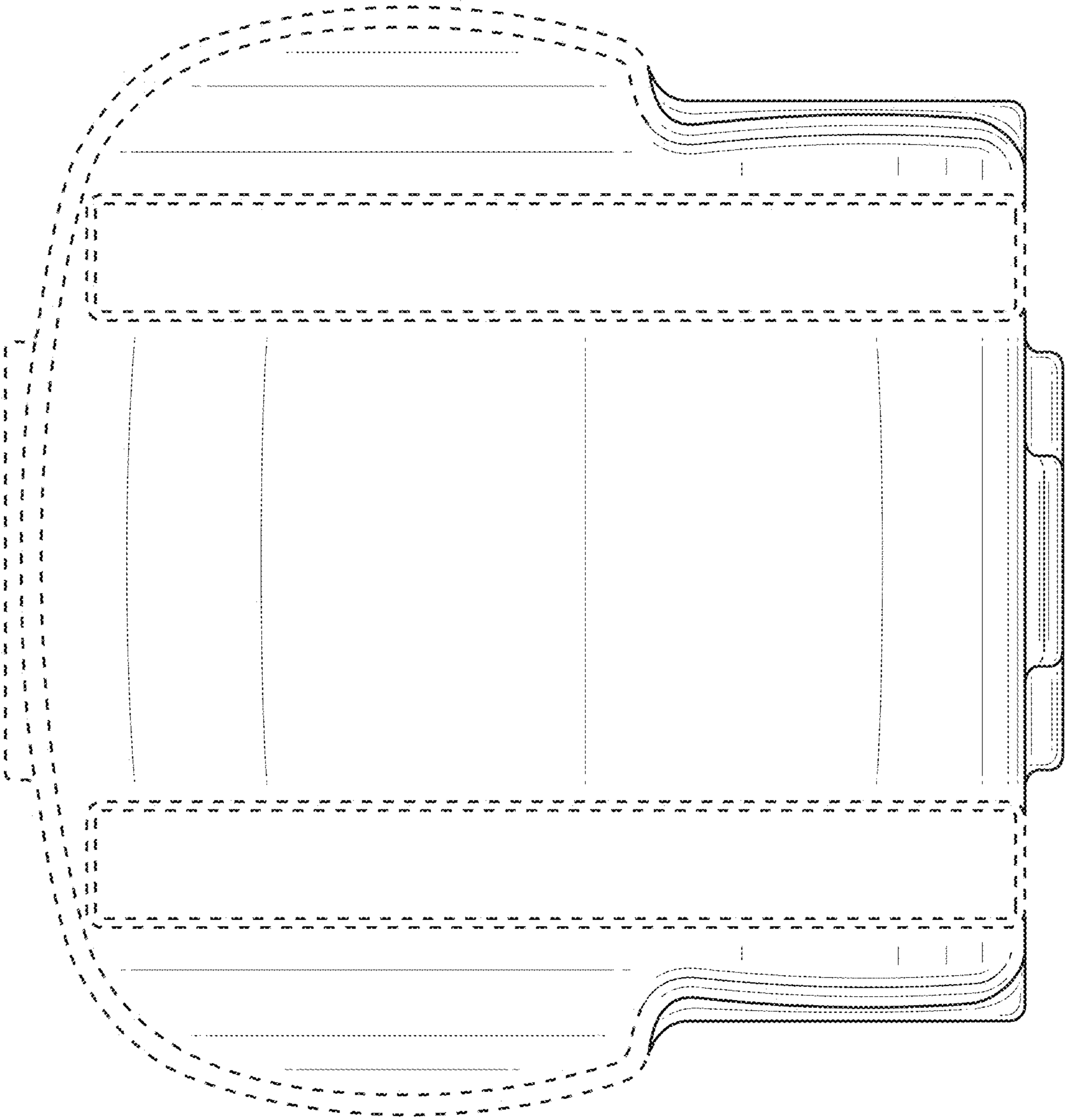


FIG. 4

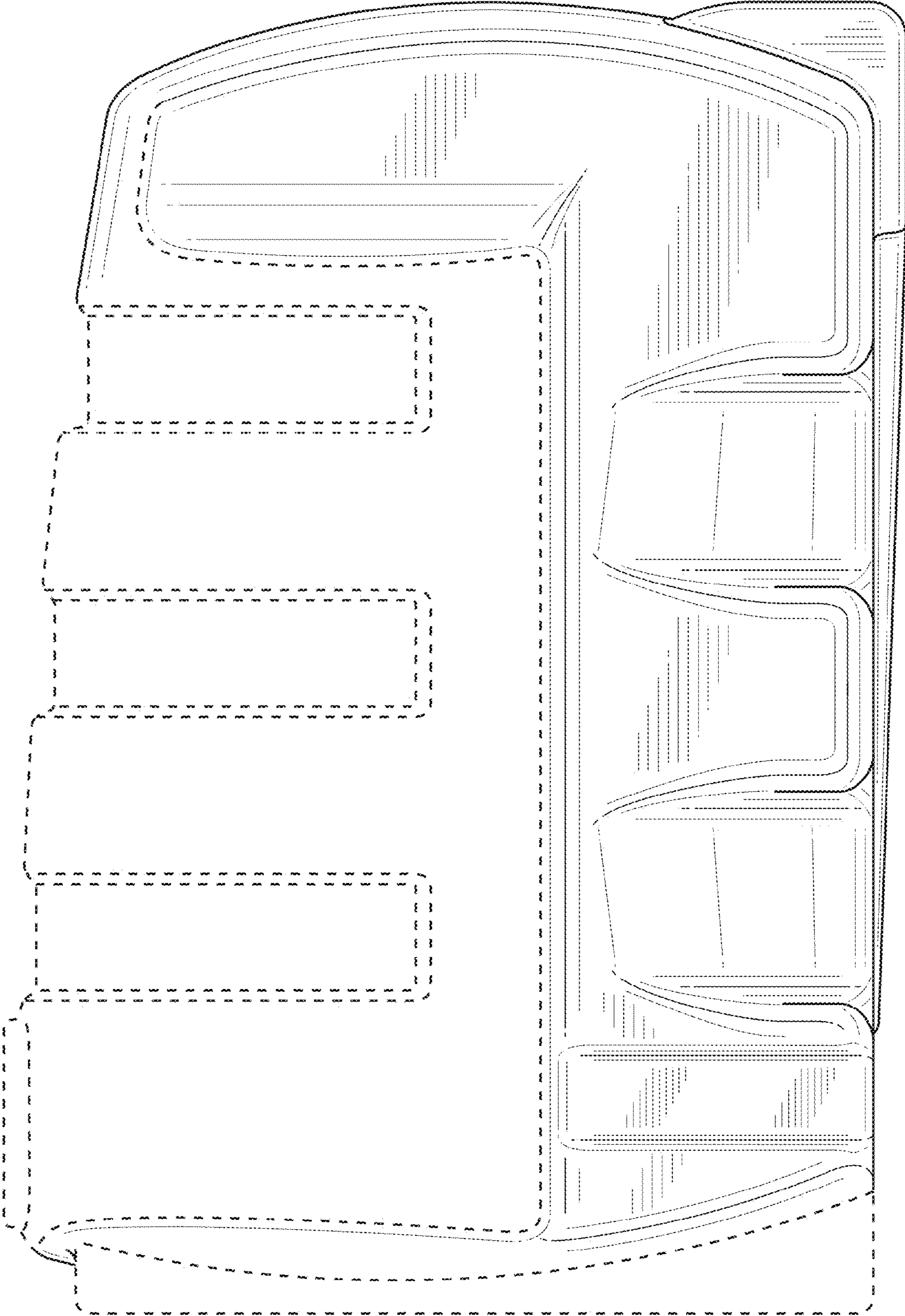


FIG. 5

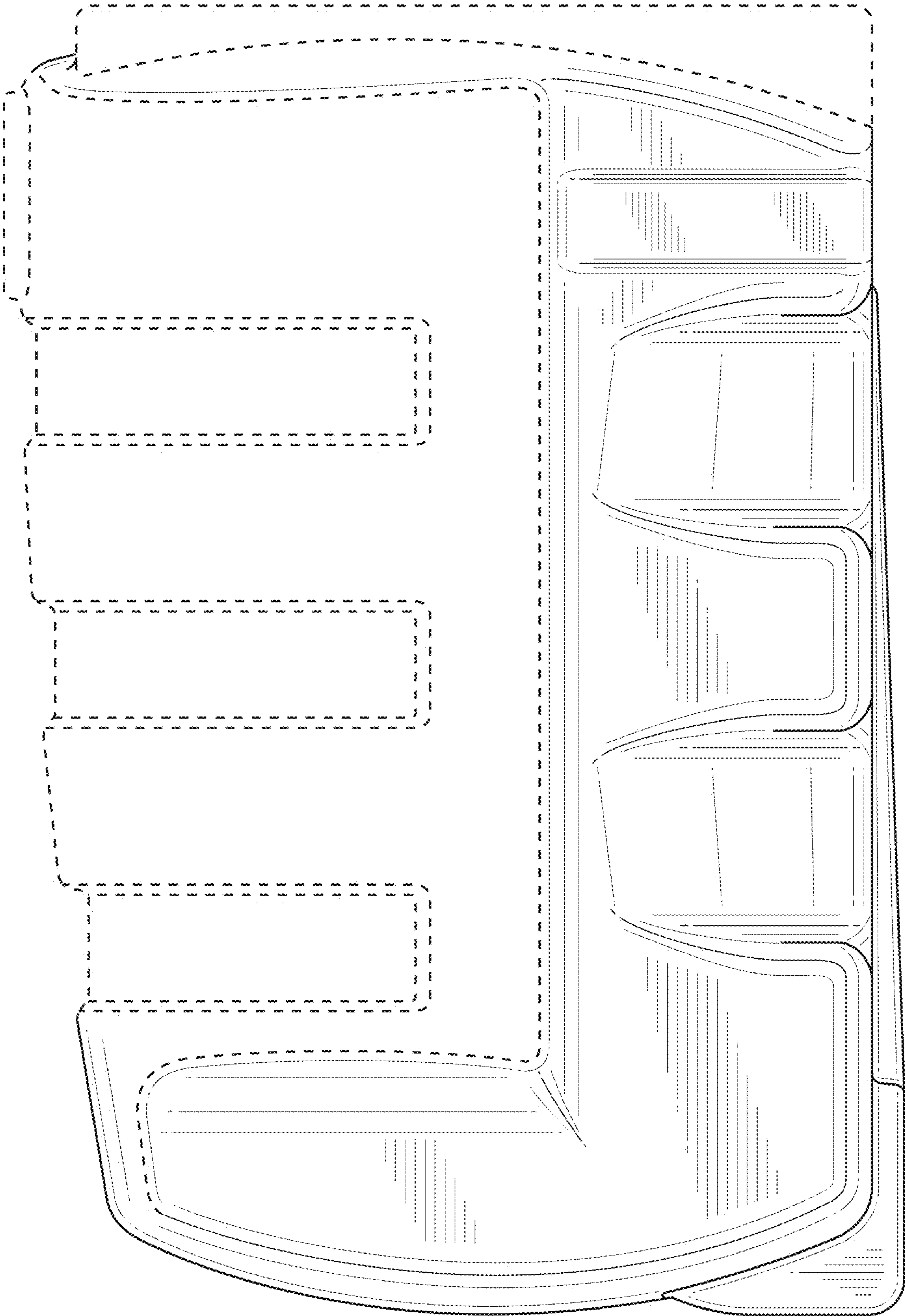


FIG. 6

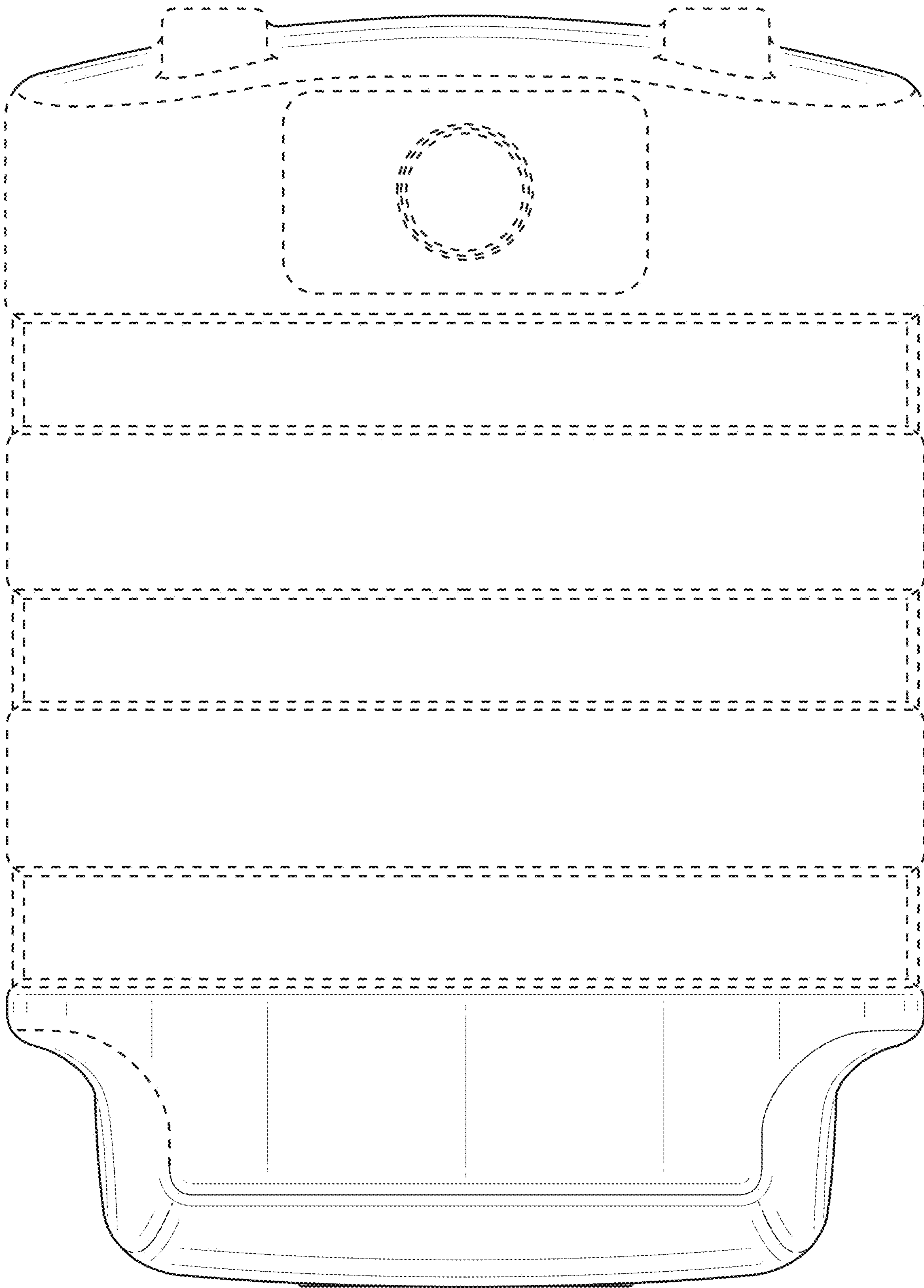


FIG. 7

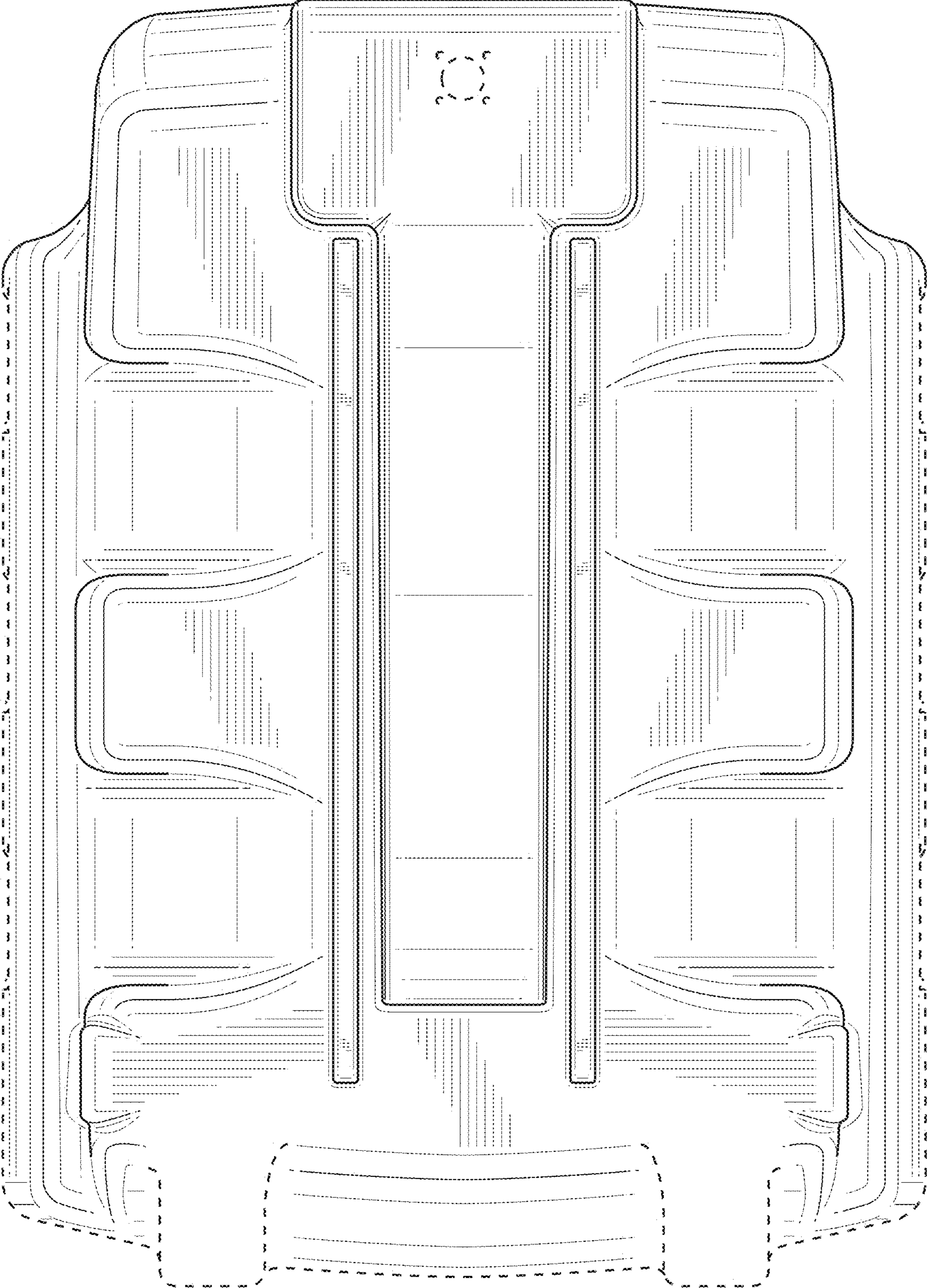


FIG. 8