



US00D872135S

(12) **United States Design Patent**  
**Wise et al.**

(10) **Patent No.:** **US D872,135 S**  
(45) **Date of Patent:** **\*\* Jan. 7, 2020**

(54) **TANK**

FOREIGN PATENT DOCUMENTS

(71) Applicant: **Northern Tool & Equipment Company, Inc.**, Burnsville, MN (US)

AU 201812025 M 5/2018  
CL 2018001038 W 3/2018

(Continued)

(72) Inventors: **Nathan Wise**, Farmington, MN (US);  
**Joseph DeGezelle**, Lakeville, MN (US)

OTHER PUBLICATIONS

(73) Assignee: **Northern Tool & Equipment Company, Inc.**, Burnsville, MN (US)

Owner's Manual M157563D.3—"Trailer Mounted Hot Water/Steam Pressure Washer. [https://northerntool.com/images/downloads/manuals/157563.](https://northerntool.com/images/downloads/manuals/157563)"

(\*\*) Term: **15 Years**

(Continued)

(21) Appl. No.: **29/709,100**

*Primary Examiner* — Mark A Goodwin

(22) Filed: **Oct. 11, 2019**

(74) *Attorney, Agent, or Firm* — Fafinski Mark & Johnson, P.A.; Naomi Mann

**Related U.S. Application Data**

(63) Continuation of application No. 29/642,871, filed on Apr. 3, 2018, now Pat. No. Des. 863,370.

(51) **LOC (12) Cl.** ..... **15-03**

(52) **U.S. Cl.**

USPC ..... **D15/28**; D12/218

(58) **Field of Classification Search**

USPC ..... D15/28, 15, 23, 17; D12/218; 280/834, 280/288.4, 830, 124.1, 835; 180/69.4, 180/69.5, 89.12, 900, 225; 220/564, 524, 220/555, 567.2; 123/518–520

CPC ..... B60K 15/00; B60K 15/03; B60K 15/07; B60K 15/0306; B60K 15/063; B60K 15/073; B62D 21/16; F02M 37/0094

See application file for complete search history.

(56) **References Cited**

U.S. PATENT DOCUMENTS

D258,501 S \* 3/1981 Winslow ..... D12/218  
D282,921 S \* 3/1986 Eureka ..... D12/218  
D290,452 S \* 6/1987 Balek ..... D12/218

(Continued)

(57) **CLAIM**

The ornamental design for a tank, as shown and described.

**DESCRIPTION**

FIG. 1 is a front right oriented perspective view of the tank according to an embodiment of our design;

FIG. 2 is a right rear oriented perspective view of the tank shown in FIG. 1;

FIG. 3 is a front elevational view of the tank shown in FIG. 1;

FIG. 4 is a rear elevational view of the tank shown in FIG. 1;

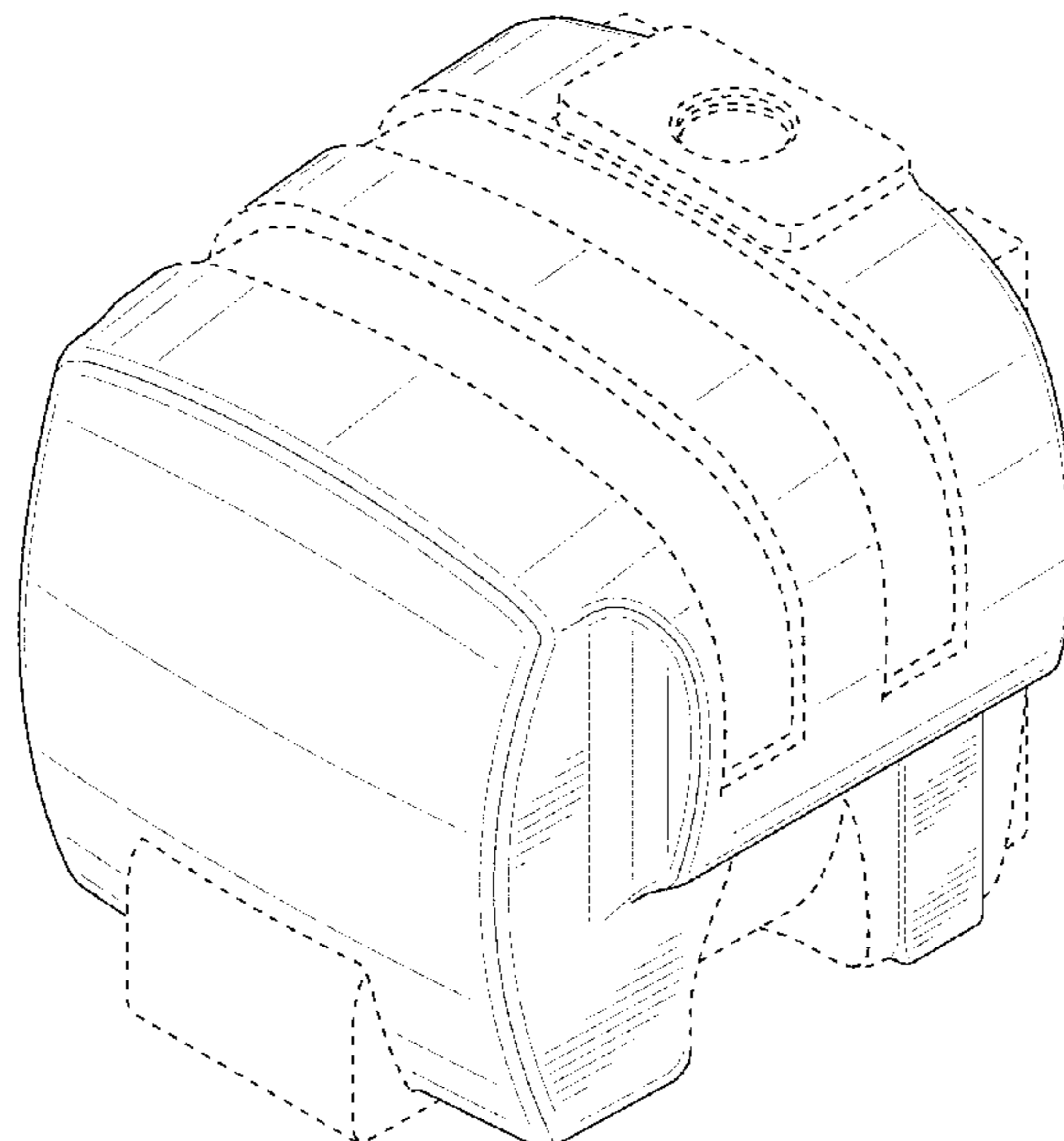
FIG. 5 is a left side elevational view of the tank shown in FIG. 1;

FIG. 6 is a right side elevational view of the tank shown in FIG. 1;

FIG. 7 is a top plan view of the tank shown in FIG. 1; and, FIG. 8 is a bottom plan view of the tank shown in FIG. 1.

In FIGS. 1-8, a broken line representation of unclaimed geometry is shown, which is for illustrative purposes only and forms no portion of the claimed invention.

**1 Claim, 8 Drawing Sheets**



(56)

References Cited

U.S. PATENT DOCUMENTS

D290,829 S \* 7/1987 Balek ..... D12/218  
 5,911,624 A \* 6/1999 Stauffer ..... B60H 1/00378  
 454/158  
 D427,206 S \* 6/2000 Johnson ..... D15/28  
 D446,364 S \* 8/2001 Bisson ..... D32/21  
 D470,982 S \* 2/2003 Zahuranec ..... D32/32  
 D492,000 S 6/2004 Festa  
 D500,055 S \* 12/2004 Bieker ..... D15/28  
 D506,584 S \* 6/2005 Whittaker ..... D32/25  
 D623,720 S 9/2010 Brown et al.  
 D625,388 S 10/2010 Cook  
 D647,167 S 10/2011 Arrigoni et al.  
 D647,168 S 10/2011 Lerner et al.  
 D655,372 S 3/2012 Kimball et al.  
 D663,325 S \* 7/2012 Thunstrom ..... D15/13  
 D669,099 S 10/2012 Ringer  
 D669,100 S \* 10/2012 Ringer ..... D15/28  
 D673,587 S \* 1/2013 Truan ..... D15/28  
 D687,866 S \* 8/2013 Thompson ..... D15/28  
 D690,740 S \* 10/2013 Gonzales ..... D15/28  
 D690,741 S \* 10/2013 Gonzales ..... D15/28  
 D693,856 S \* 11/2013 Thompson ..... D15/28  
 D694,167 S \* 11/2013 Forsberg ..... D12/218  
 D695,202 S \* 12/2013 Forsberg ..... D12/218  
 D708,649 S \* 7/2014 Rollenhagen ..... D15/28  
 D713,424 S \* 9/2014 Gonzales ..... D15/28  
 D721,160 S 1/2015 O'Rielly et al.  
 D728,632 S \* 5/2015 Klassen ..... D12/218  
 D728,633 S \* 5/2015 Klassen ..... D12/218  
 D729,141 S \* 5/2015 Beadles ..... D12/218  
 D729,722 S \* 5/2015 Beadles ..... D12/218  
 D730,949 S \* 6/2015 Thompson ..... D15/28  
 D730,951 S \* 6/2015 Thompson ..... D15/28  
 D741,376 S \* 10/2015 Thompson ..... D15/28  
 D742,429 S \* 11/2015 Thompson ..... D15/28  
 D755,253 S \* 5/2016 Thompson ..... D15/28  
 D759,786 S \* 6/2016 Laber ..... D15/13  
 D763,325 S \* 8/2016 Thompson ..... D15/28  
 D763,326 S \* 8/2016 Thompson ..... D15/28  
 D763,327 S \* 8/2016 Thompson ..... D15/28  
 D772,773 S \* 11/2016 Andersen ..... D12/218  
 D775,238 S \* 12/2016 Roemer ..... D12/218  
 D795,930 S \* 8/2017 Buckelew ..... D15/28

D803,756 S \* 11/2017 Andersen ..... D12/218  
 D820,765 S \* 6/2018 Hensley ..... D12/218  
 D825,714 S \* 8/2018 Buckelew ..... D23/202  
 D837,720 S \* 1/2019 Schwalbe ..... D12/218  
 D837,835 S \* 1/2019 Schwalbe ..... D15/28  
 D837,836 S \* 1/2019 Schwalbe ..... D15/28  
 D863,369 S \* 10/2019 Wise ..... D15/28  
 D863,370 S \* 10/2019 Wise ..... D15/28  
 D863,371 S \* 10/2019 Wise ..... D15/28

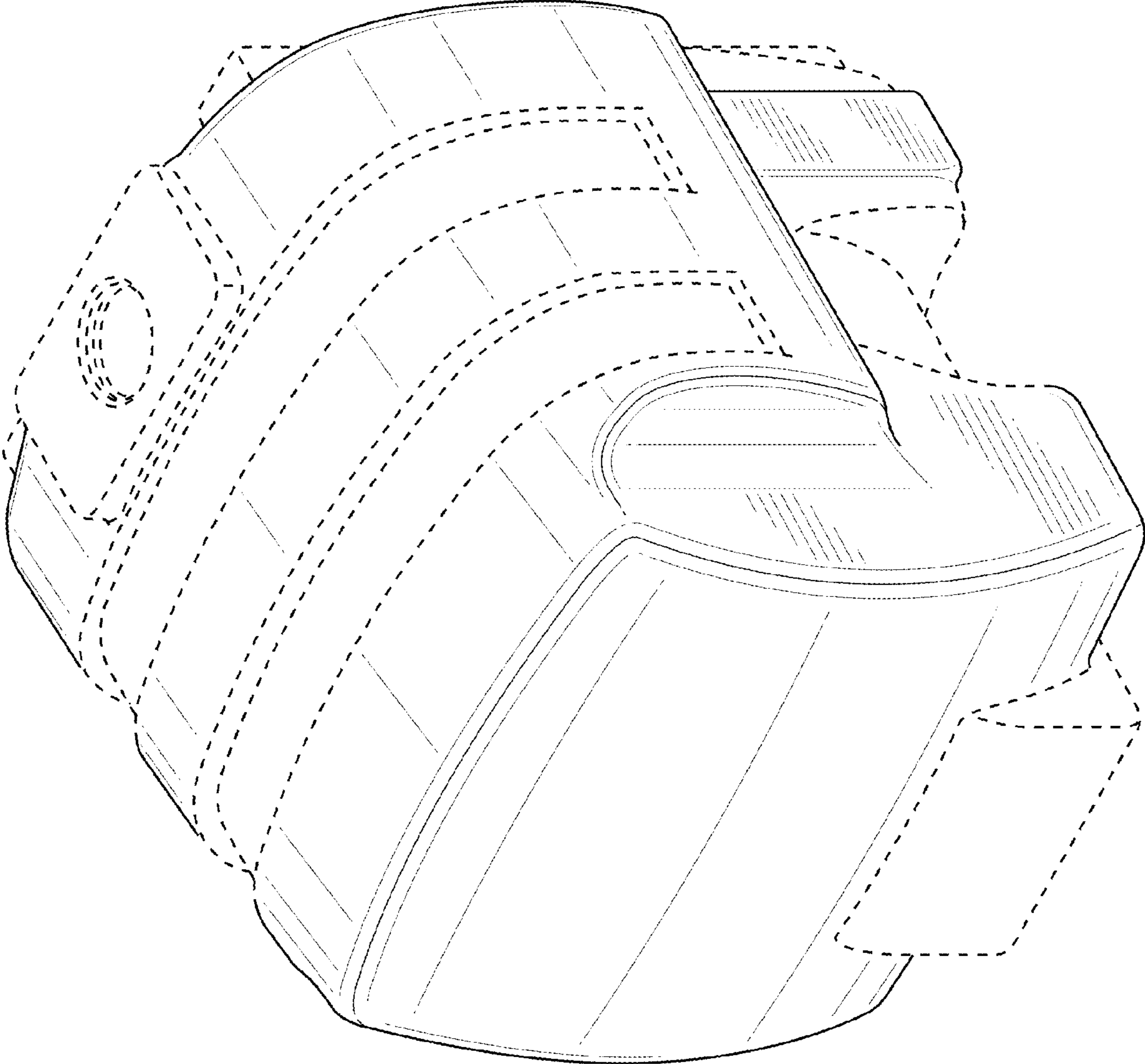
FOREIGN PATENT DOCUMENTS

CL 2018001040 W 3/2018  
 CL 2018001041 W 3/2018  
 CL 2018001044 W 3/2018  
 CL 2018001032 W 4/2018  
 CL 2018001034 W 4/2018  
 CL 2018001035 W 4/2018  
 CL 2018001036 W 4/2018  
 CL 2018001037 W 4/2018  
 CL 2018001039 W 4/2018  
 CL 2018001042 W 4/2018  
 CL 2018001043 W 4/2018  
 CN 201530414096.1 A 10/2015  
 EM 000584008-0001 A 9/2006  
 EM 000840483-0001 A 12/2007  
 EM 001048680-0001 A 12/2008  
 EM 002148148-0001 A 12/2012  
 EM 002150623-0002 A 12/2012  
 EM 001391049-0001 A 11/2013  
 EM 003011816-0001 A 3/2016  
 EM 003021005-0002 A 3/2016  
 EM 003413426-0001 A 10/2016

OTHER PUBLICATIONS

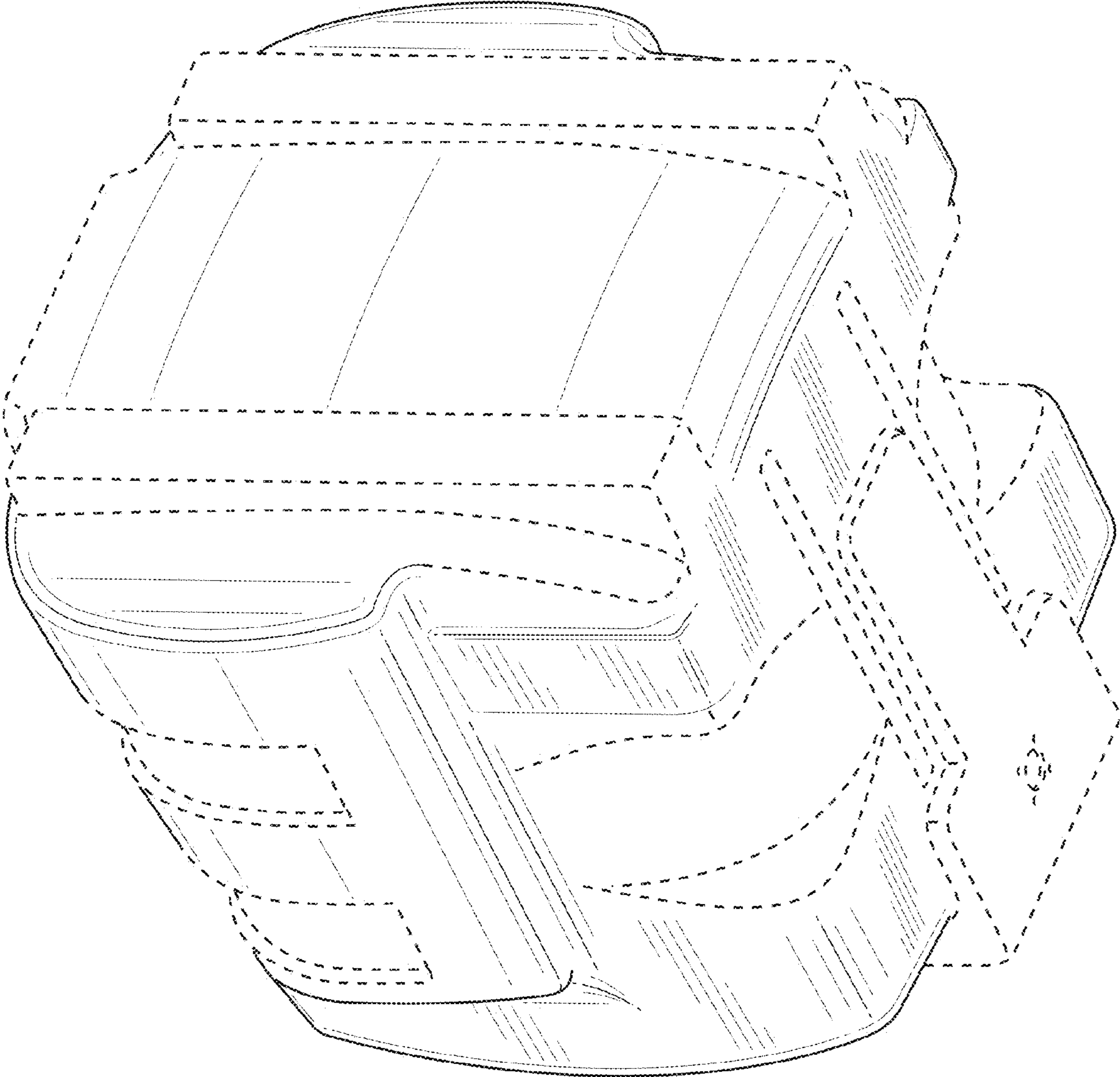
“Letter by Goytia & Associates regarding Office Action/Notification of Examination Report for Chilean Patent Application No. 2018-01032, said letter dated Jun. 14, 2019, and interpreting the report dated Apr. 20, 2018 issued by Chilean PTO.”  
 “Report dated Apr. 20, 2018 for Chilean Patent Application No. 2018-01033, issued by the Chilean PTO.”  
 “Remarks latter by Applicant.”

\* cited by examiner

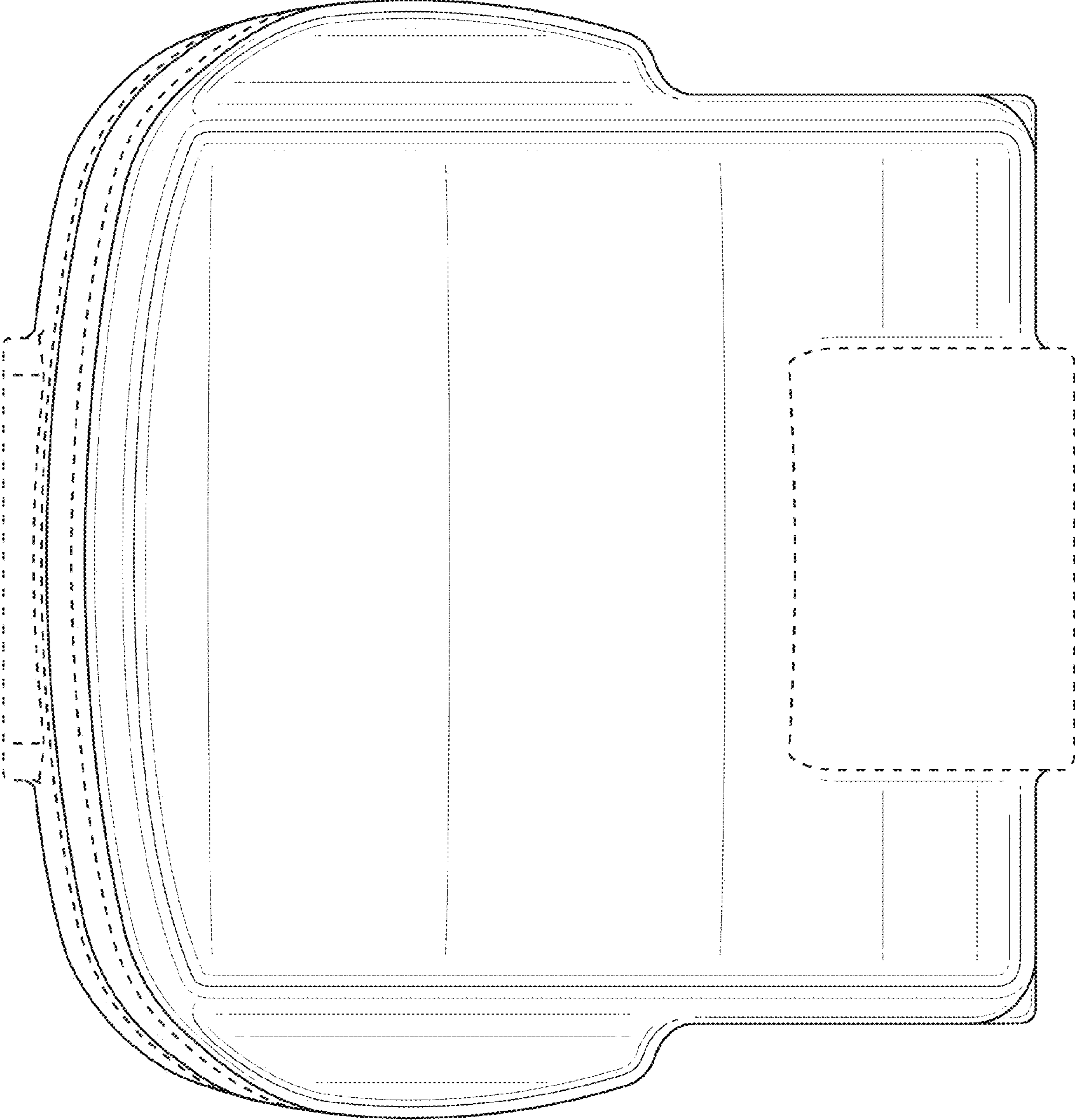


**FIG. 1**

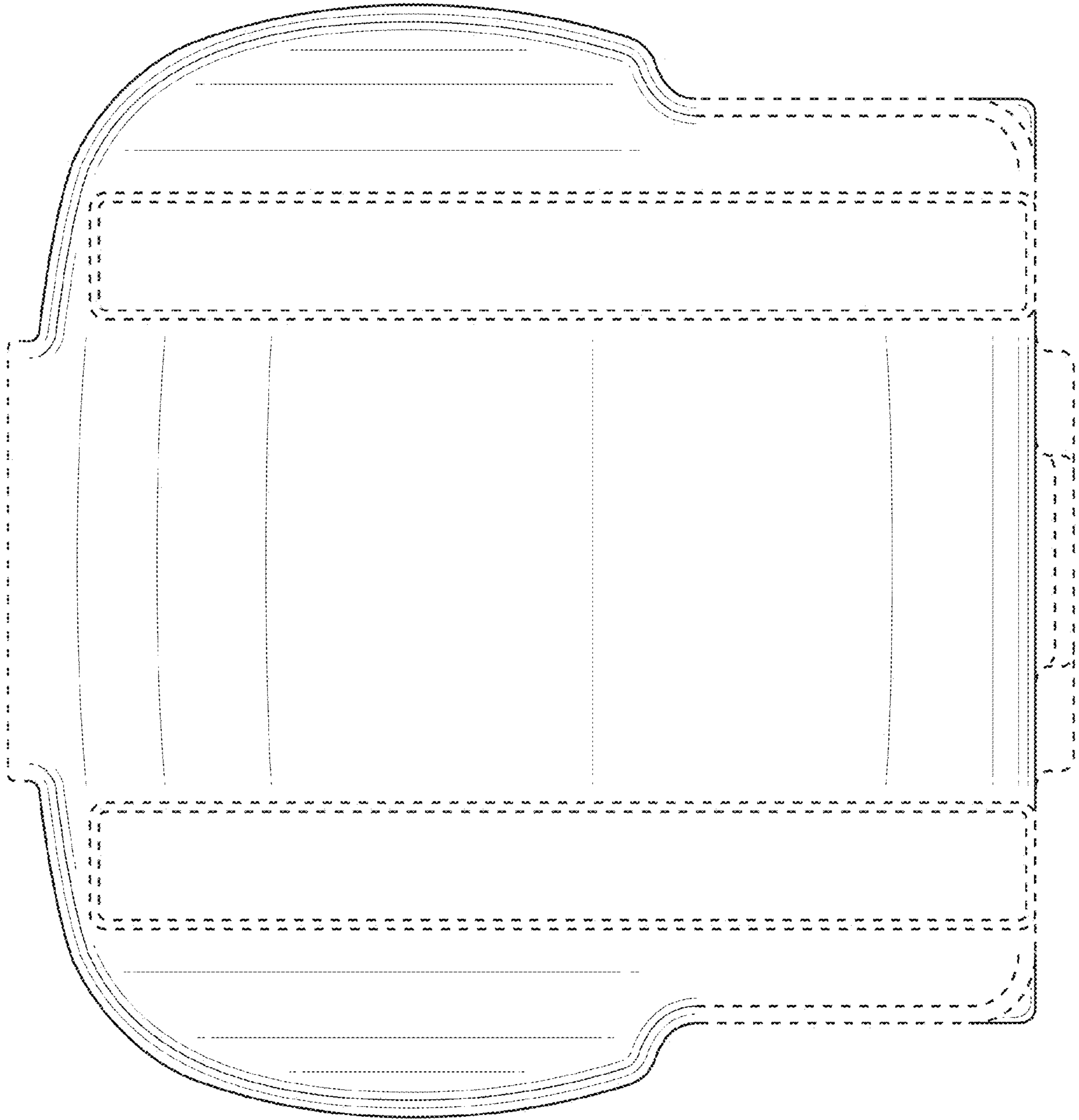




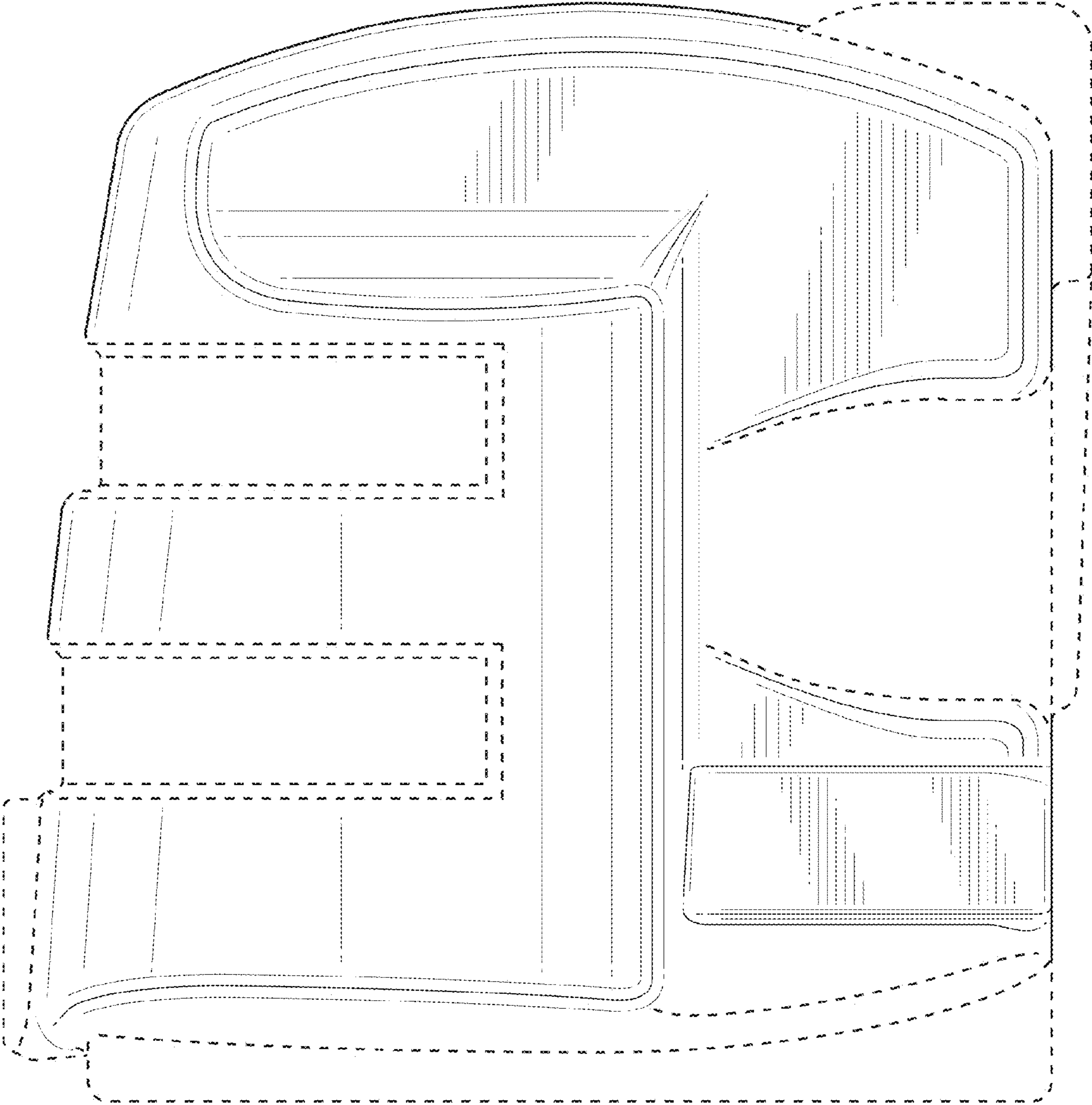
**FIG. 2**



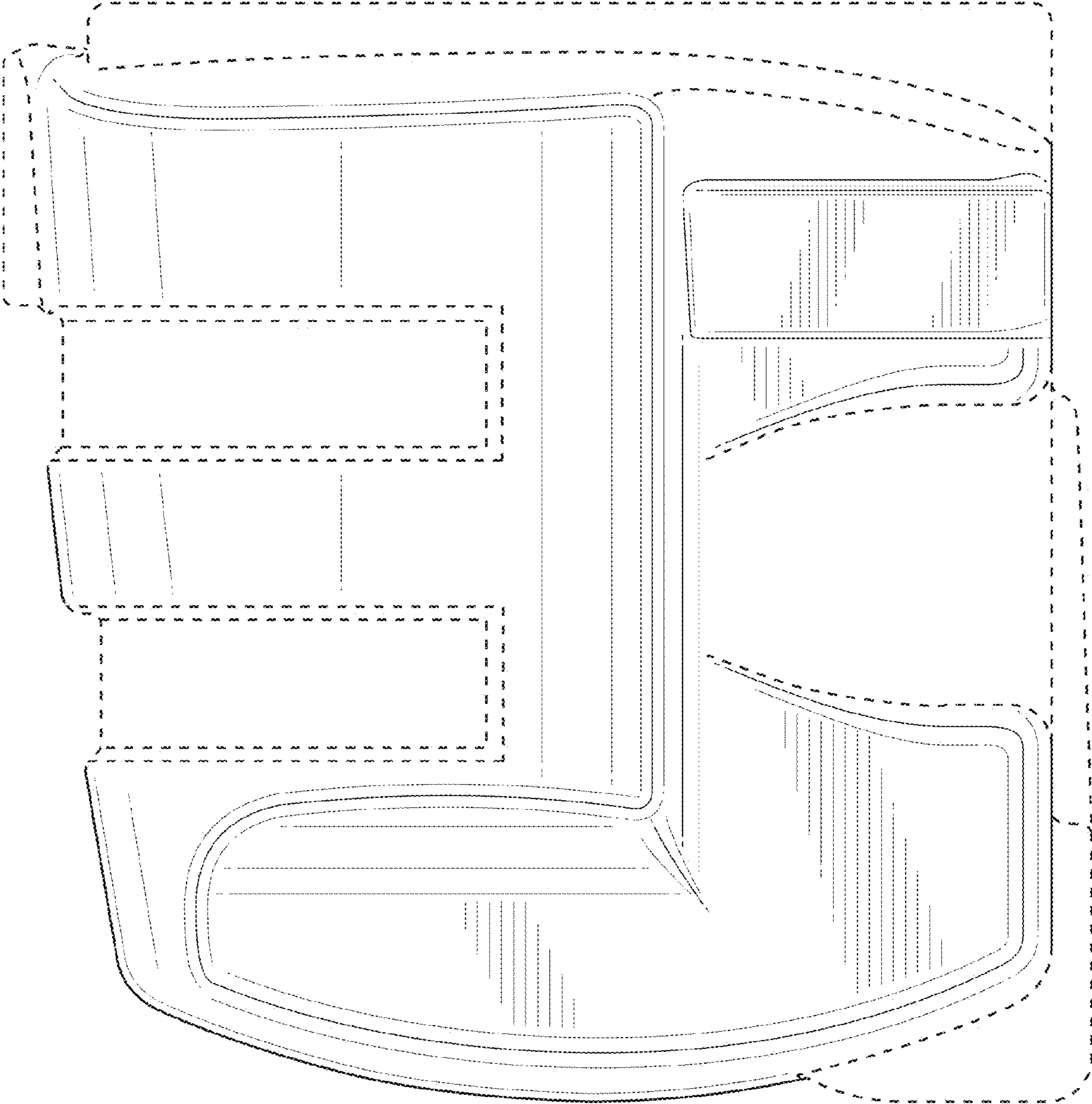
**FIG. 3**



**FIG. 4**

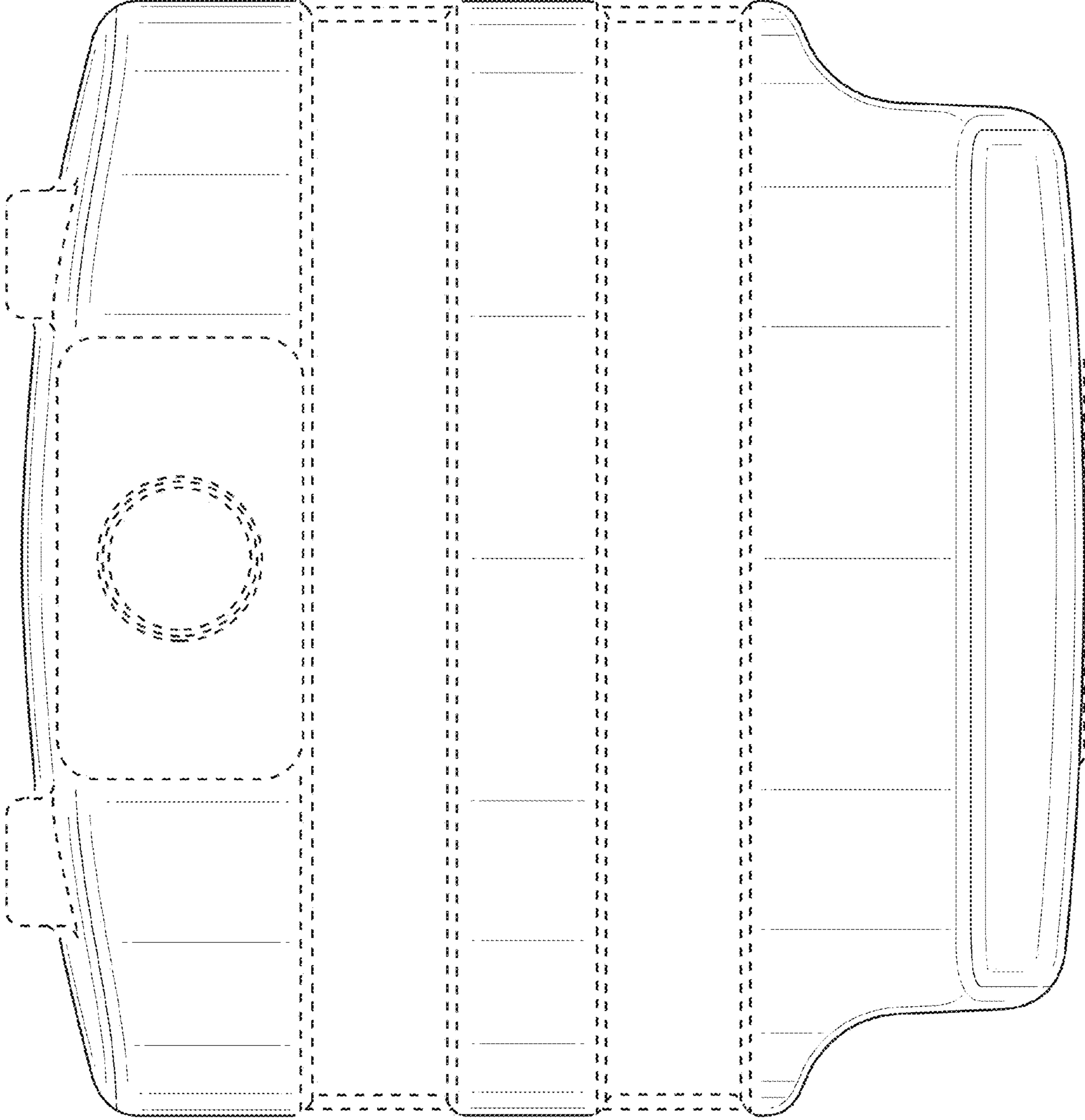


**FIG. 5**

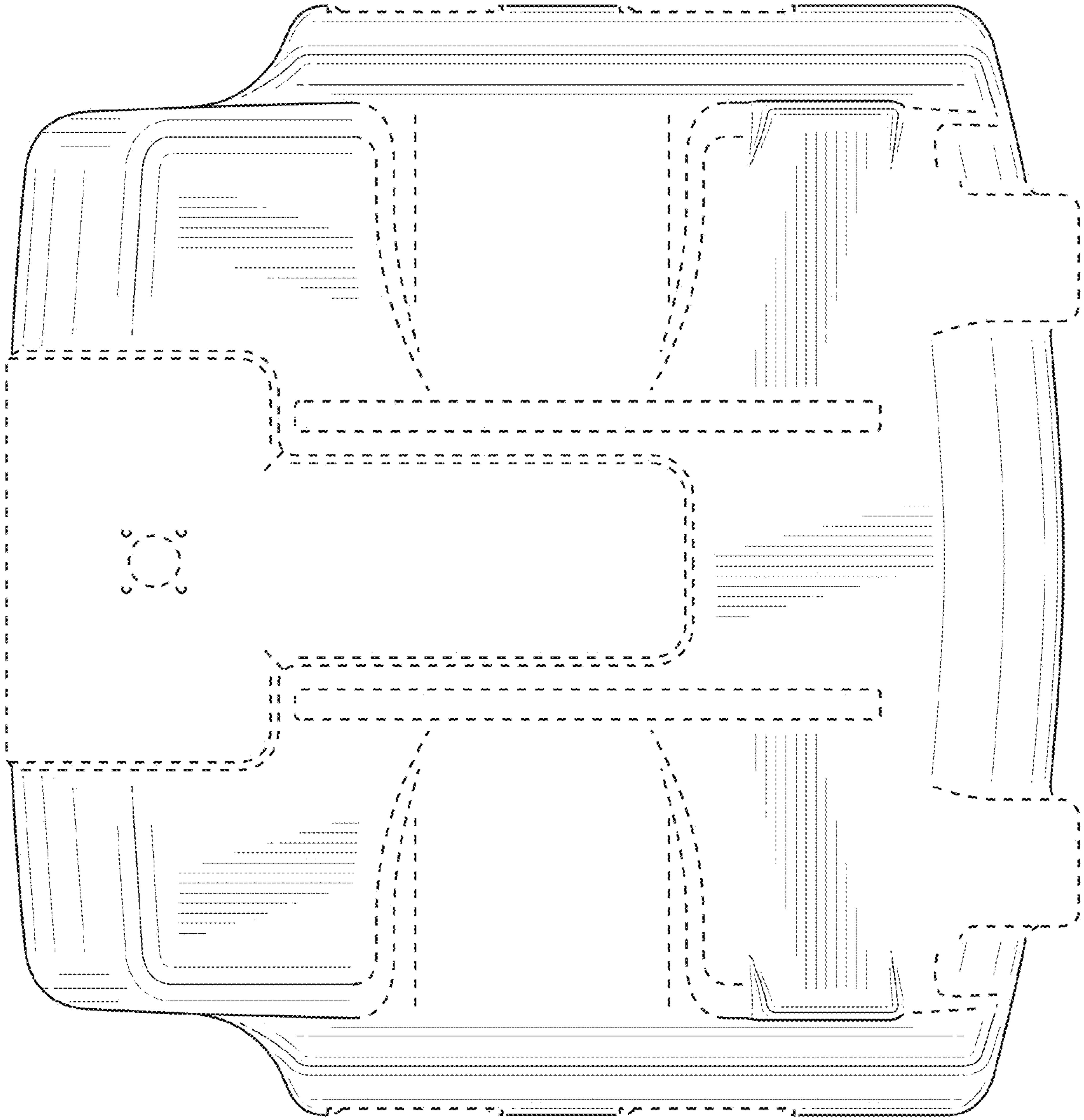


**FIG. 6**





**FIG. 7**



**FIG. 8**