



US00D872133S

(12) **United States Design Patent**  
**Pletz et al.**

(10) **Patent No.:** **US D872,133 S**  
(45) **Date of Patent:** **\*\* Jan. 7, 2020**

(54) **PIPELAYER FRAME**

(71) Applicant: **Brandt Equipment Solutions Ltd.**,  
Regina (CA)

(72) Inventors: **Michael Pletz**, Regina (CA); **Daniel Klassen**, Regina (CA)

(73) Assignee: **Brandt Equipment Solutions Ltd.**,  
Regina (CA)

(\*\*) Term: **15 Years**

(21) Appl. No.: **29/633,884**

(22) Filed: **Jan. 17, 2018**

(30) **Foreign Application Priority Data**

Sep. 11, 2017 (CA) ..... 176927

(51) **LOC (12) Cl.** ..... **12-09**

(52) **U.S. Cl.**  
USPC ..... **D15/24; D15/32**

(58) **Field of Classification Search**  
USPC ..... D15/10, 11, 17, 21, 23, 24, 25, 28, 29,  
D15/32, 122, 130, 132, 138, 140  
CPC ..... B66C 23/36; B66C 23/44; B66C 23/84  
See application file for complete search history.

(56) **References Cited**

**U.S. PATENT DOCUMENTS**

D263,051 S	*	2/1982	Allen	.....	D15/24
D466,135 S	*	11/2002	Spomer	.....	D15/33
D567,259 S	*	4/2008	Davis	.....	D15/24
D592,228 S	*	5/2009	Davis	.....	B66C 23/36
					D15/24
D656,164 S	*	3/2012	Nilsson	.....	D15/28
D672,372 S	*	12/2012	Nilsson	.....	D15/28
D766,343 S	*	9/2016	Linan	.....	D15/28
D768,731 S	*	10/2016	Esqueda	.....	D15/32
D769,335 S	*	10/2016	Esqueda	.....	D15/32
D832,895 S	*	11/2018	Dekker	.....	D15/32

**FOREIGN PATENT DOCUMENTS**

CA	2983834	A1	*	1/2019	.....	B66C 23/44
CA	2983835	A1	*	1/2019	.....	B66C 23/44

**OTHER PUBLICATIONS**

Midwestern, M540c—Hydraulic Sideboom Attachment, Specification Sheet, dated Jan. 9, 2011, downloaded from [http://web.archive.org/web/20110109215818/http://sidebooms.com/products/product\\_pdfs/M540C.pdf](http://web.archive.org/web/20110109215818/http://sidebooms.com/products/product_pdfs/M540C.pdf), 2 pgs.

\* cited by examiner

*Primary Examiner* — Brett Miller

*Assistant Examiner* — Fritzgerald L Butac

(74) *Attorney, Agent, or Firm* — Frost Brown Todd LLC

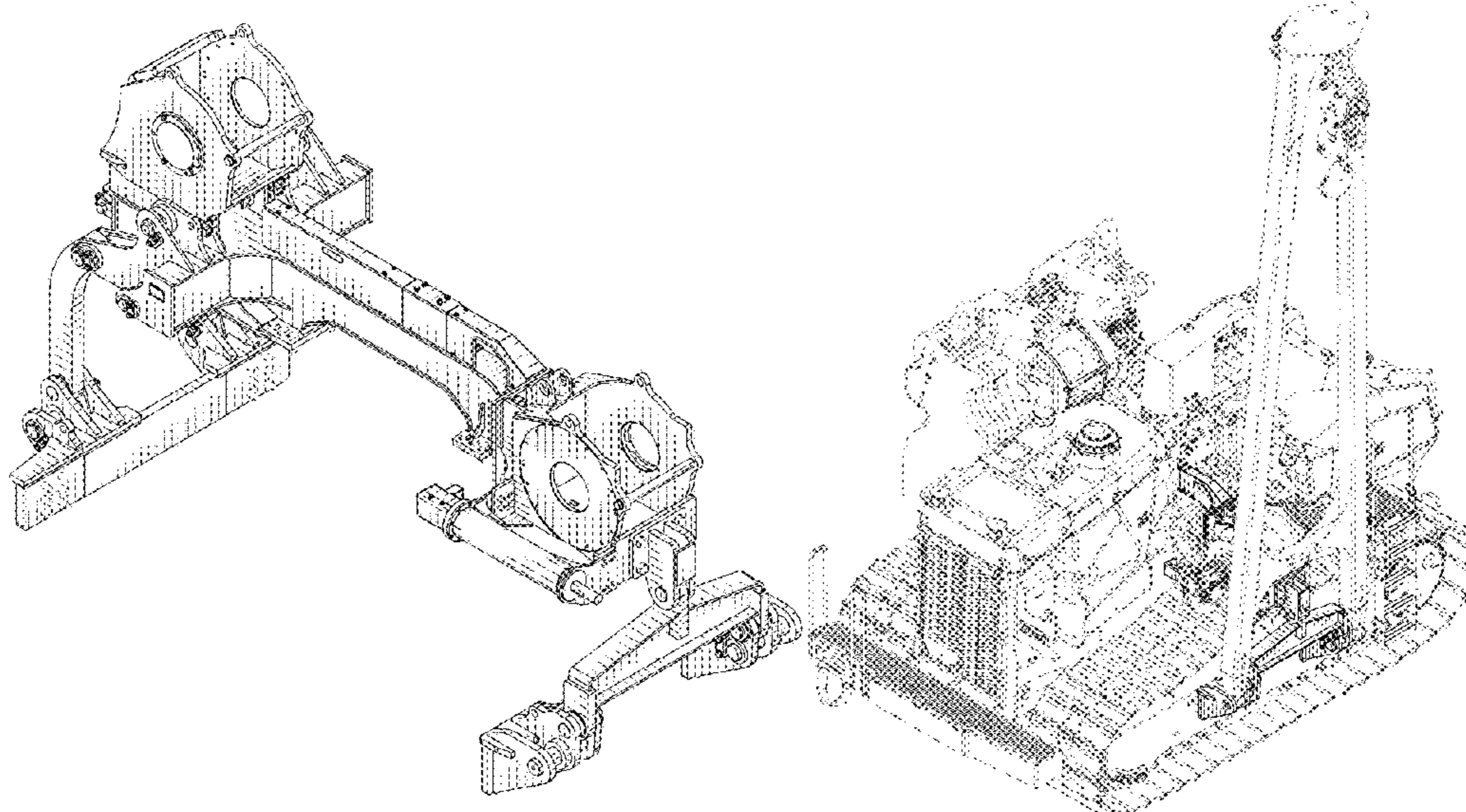
(57) **CLAIM**

The ornamental design for a pipelayer frame, as shown and described.

**DESCRIPTION**

FIG. 1 is a top perspective view of a pipelayer frame showing the new design.  
FIG. 2 is a front elevation view thereof.  
FIG. 3 is a rear elevation view thereof.  
FIG. 4 is left side elevation view thereof.  
FIG. 5 is a right side elevation view thereof.  
FIG. 6 is a top plan view thereof.  
FIG. 7 is a bottom plan view thereof; and,  
FIG. 8 is a top perspective view thereof, showing the pipelayer frame installed as part of an exemplary pipelayer. The evenly-spaced broken lines in the drawings are included for purpose of illustrating environment that forms no part of the claimed design, and for illustrating portions of the pipelayer frame that form no part of the claimed design.

**1 Claim, 8 Drawing Sheets**



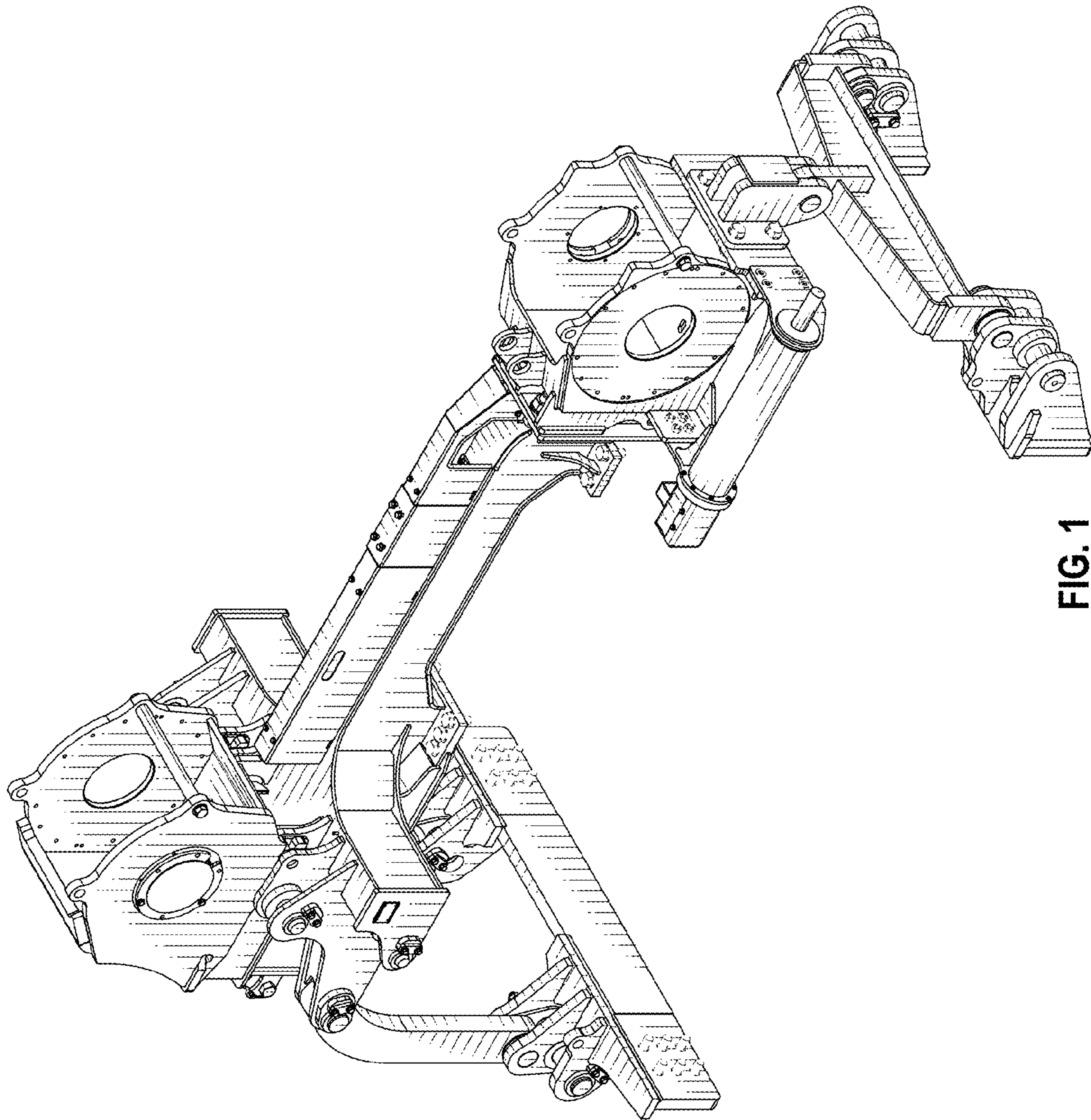


FIG. 1

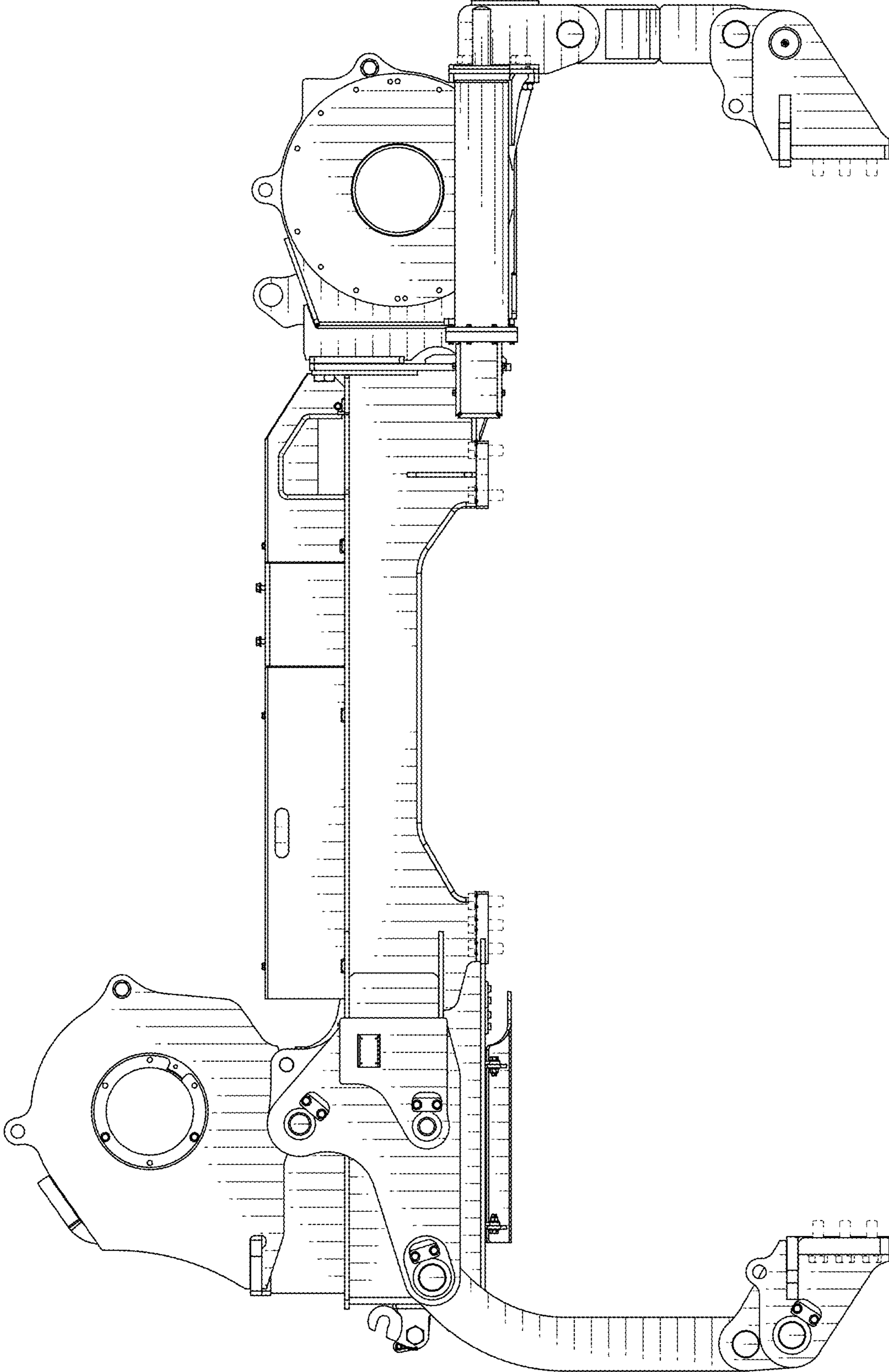


FIG. 2

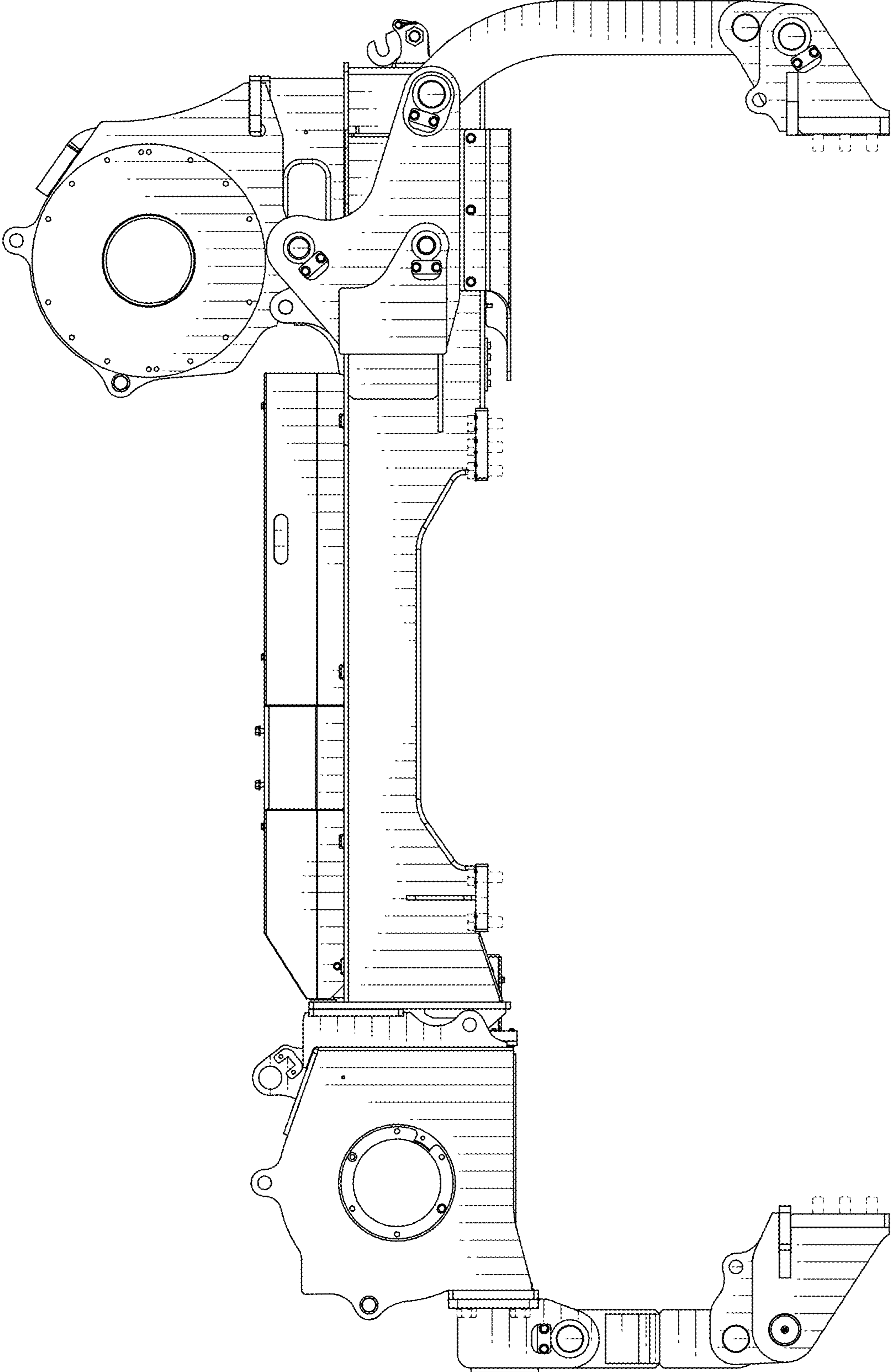


FIG. 3

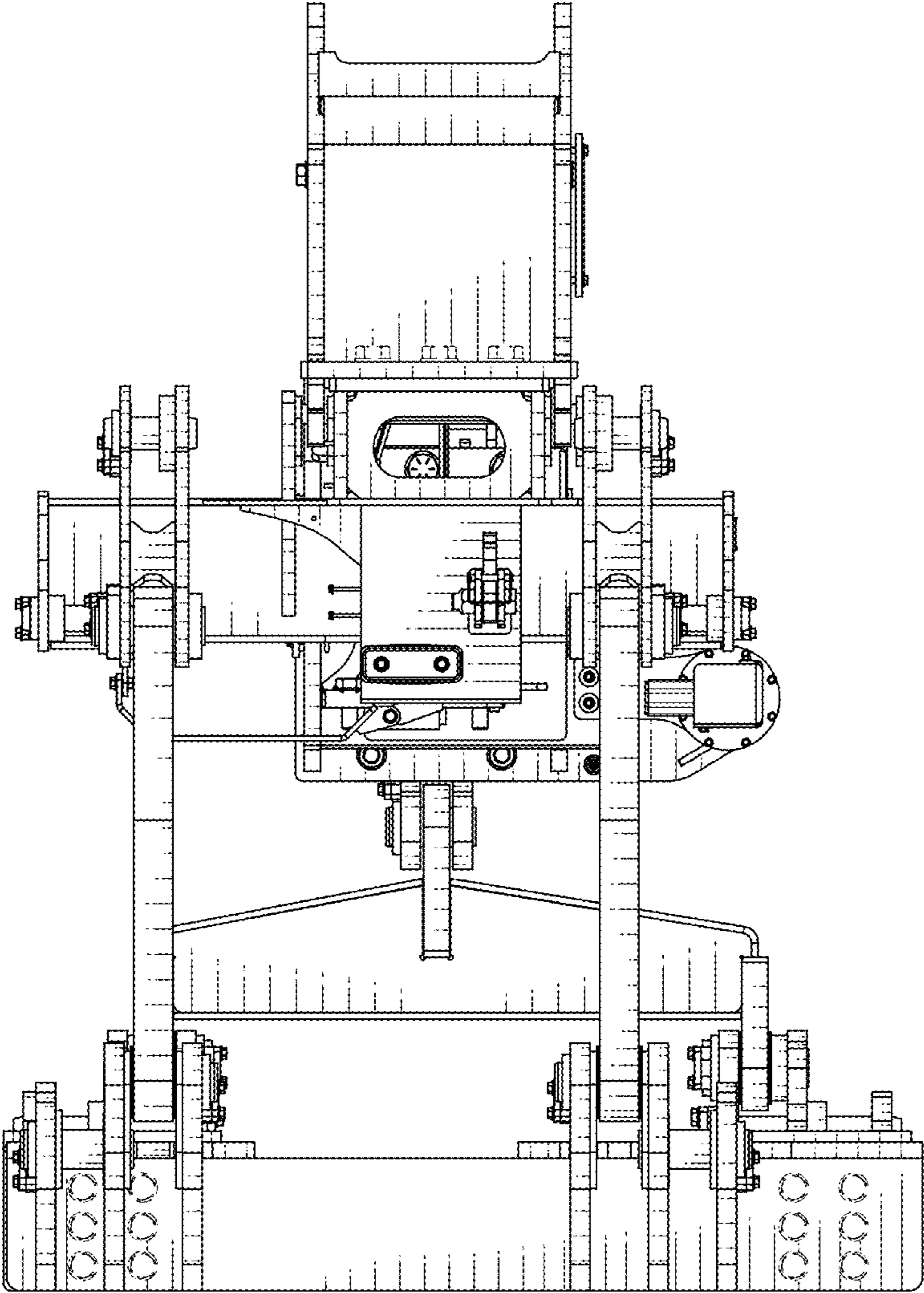


FIG. 4

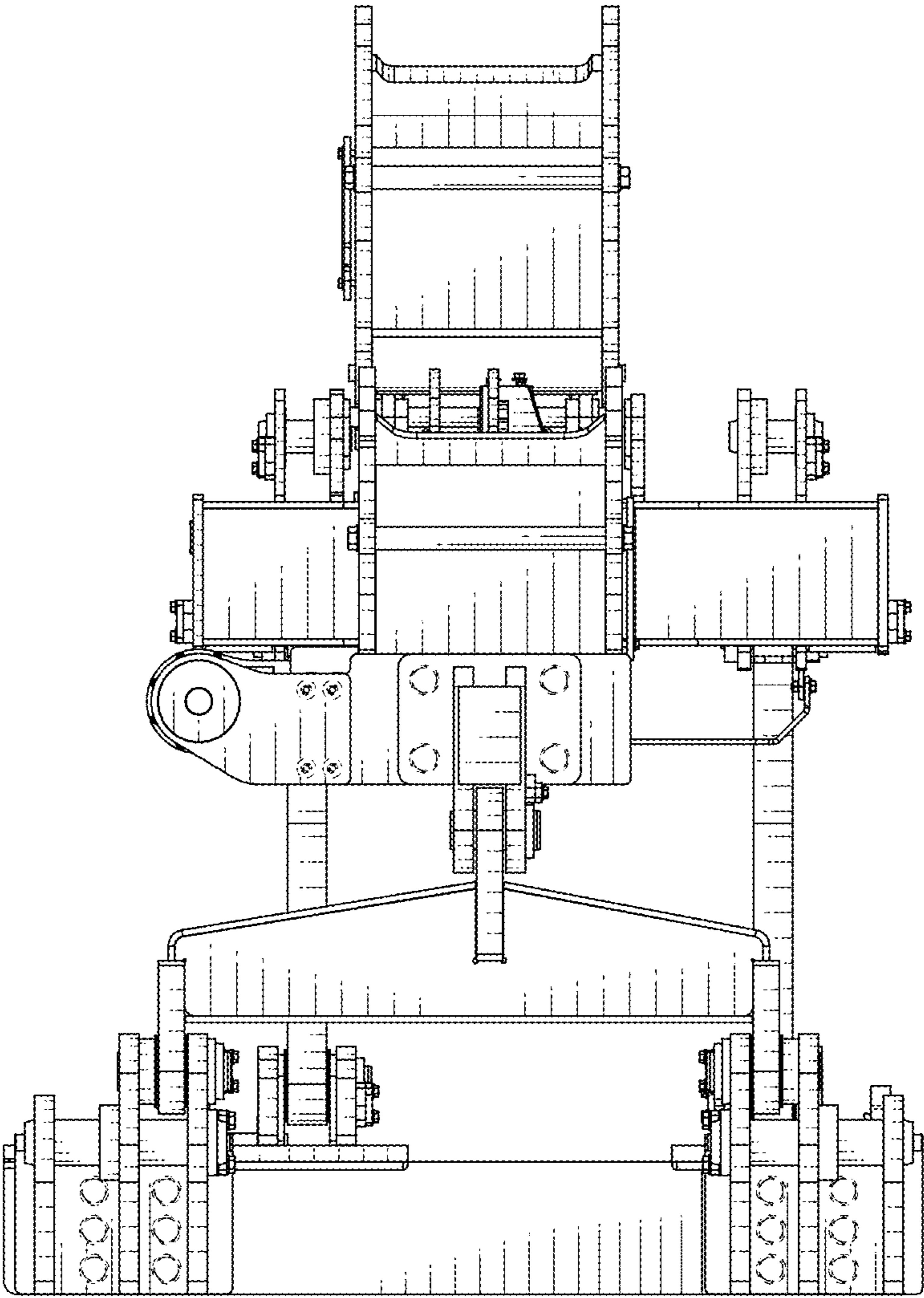


FIG. 5

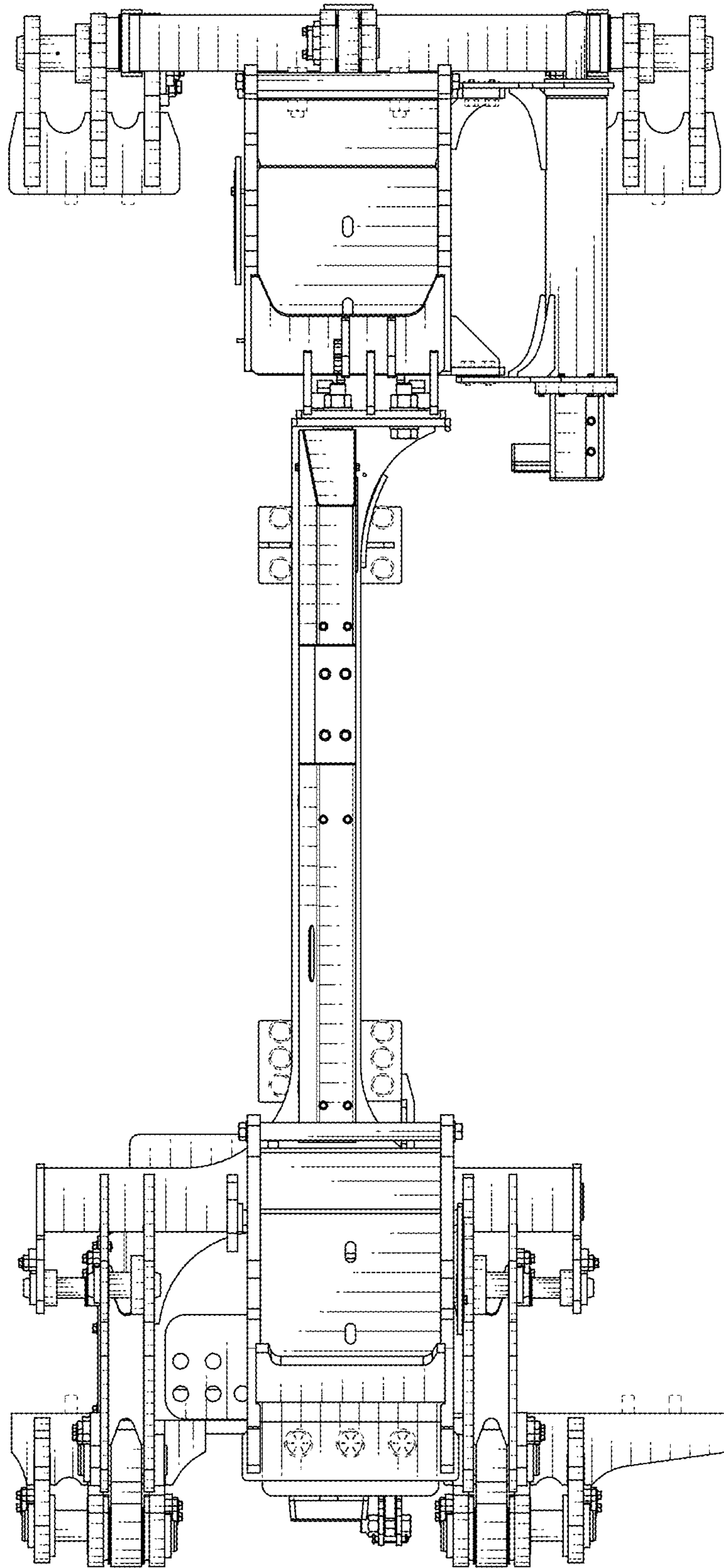


FIG. 6

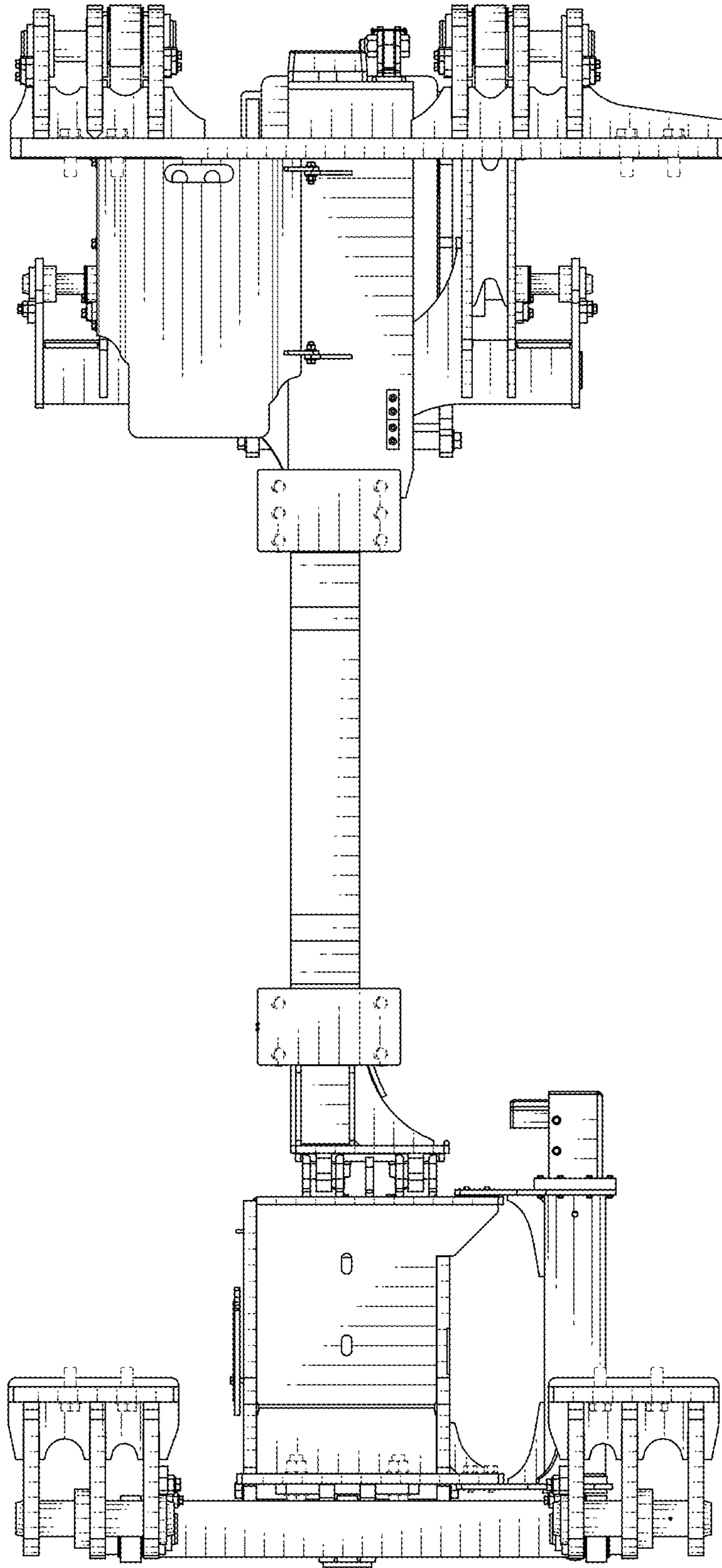


FIG. 7



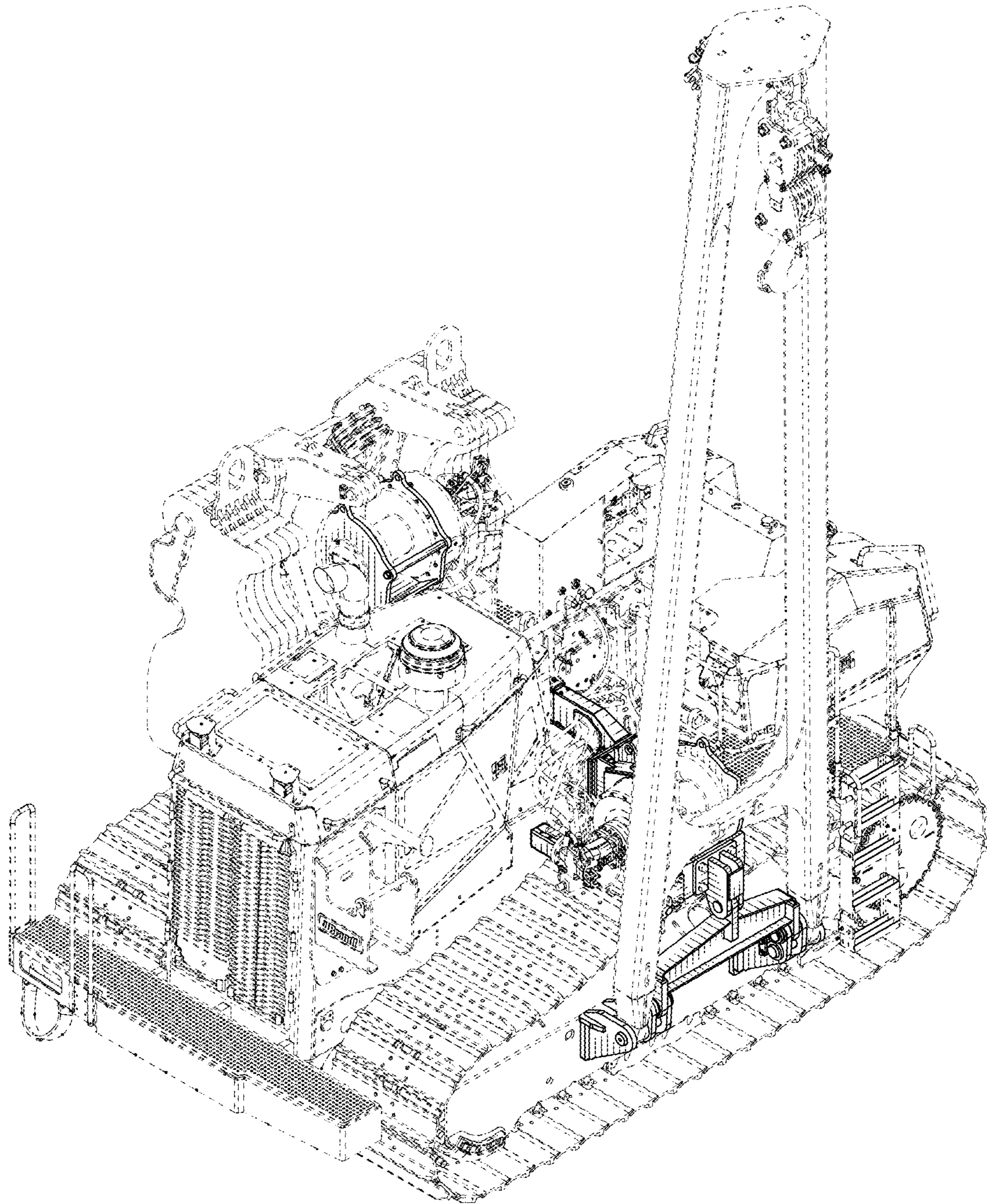


FIG. 8