



US00D872132S

(12) **United States Design Patent** (10) **Patent No.:** **US D872,132 S**
Sofussen (45) **Date of Patent:** **** Jan. 7, 2020**

- (54) **HOUSING**
- (71) Applicant: **GRUNDFOS HOLDING A/S**,
Bjerringbro (DK)
- (72) Inventor: **Morten Sofussen**, Aarhus (DK)
- (73) Assignee: **GRUNDFOS HOLDING A/S**,
Bjerringbro (DK)
- (**) Term: **15 Years**
- (21) Appl. No.: **29/637,259**
- (22) Filed: **Feb. 15, 2018**

- D557,708 S * 12/2007 Carpenter D15/7
- D617,347 S * 6/2010 Plunk D15/9
- D707,719 S * 6/2014 Kamijyo D15/7
- D713,860 S * 9/2014 Pedrollo D15/7
- D837,832 S * 1/2019 Sofussen D15/7

* cited by examiner

Primary Examiner — Khawaja Anwar
(74) *Attorney, Agent, or Firm* — McGlew and Tuttle, P.C.

(57) **CLAIM**
The ornamental design for a housing, as shown and described.

DESCRIPTION

The patent or application file contains at least one drawing executed in color. Copies of this patent or patent application publication with color drawing(s) will be provided by the Office upon request and payment of the necessary fee.
FIG. 1 is a perspective view of my design, wherein the words “Scala2”, “Constant Pressure” and “Reset” do not form a part of the claimed design;
FIG. 2 is a front view of the design of FIG. 15, wherein the words “Scala2”, “Constant Pressure” and “Reset” do not form a part of the claimed design;
FIG. 3 is a rear view of the design of FIG. 1;
FIG. 4 is a right side view of the design of FIG. 1;
FIG. 5 is a left side view of the design of FIG. 1;
FIG. 6 is a top view of the design of FIG. 1, wherein the words “Scala2”, “Constant Pressure” and “Reset” do not form a part of the claimed design; and,
FIG. 7 is a bottom view of the design of FIG. 1.
The diagonally cut broken lines shown in drawings show portions of the housing that form no part of the claimed design.

Related U.S. Application Data

- (62) Division of application No. 29/561,208, filed on Apr. 14, 2016, now Pat. No. Des. 837,832.

Foreign Application Priority Data

- Oct. 15, 2015 (EM) 002824201
- (51) **LOC (12) Cl.** **15-03**
- (52) **U.S. Cl.**
USPC **D15/7**
- (58) **Field of Classification Search**
USPC D15/7-9; D23/231, 232, 225
CPC F02M 37/04; F02M 37/14; F04B 53/92;
F04B 1/005
See application file for complete search history.

References Cited

U.S. PATENT DOCUMENTS

- D447,148 S * 8/2001 Antony D15/7
- D536,705 S * 2/2007 Griffin D15/7

1 Claim, 7 Drawing Sheets
(7 of 7 Drawing Sheet(s) Filed in Color)





Fig. 1



Fig. 2



Fig. 3

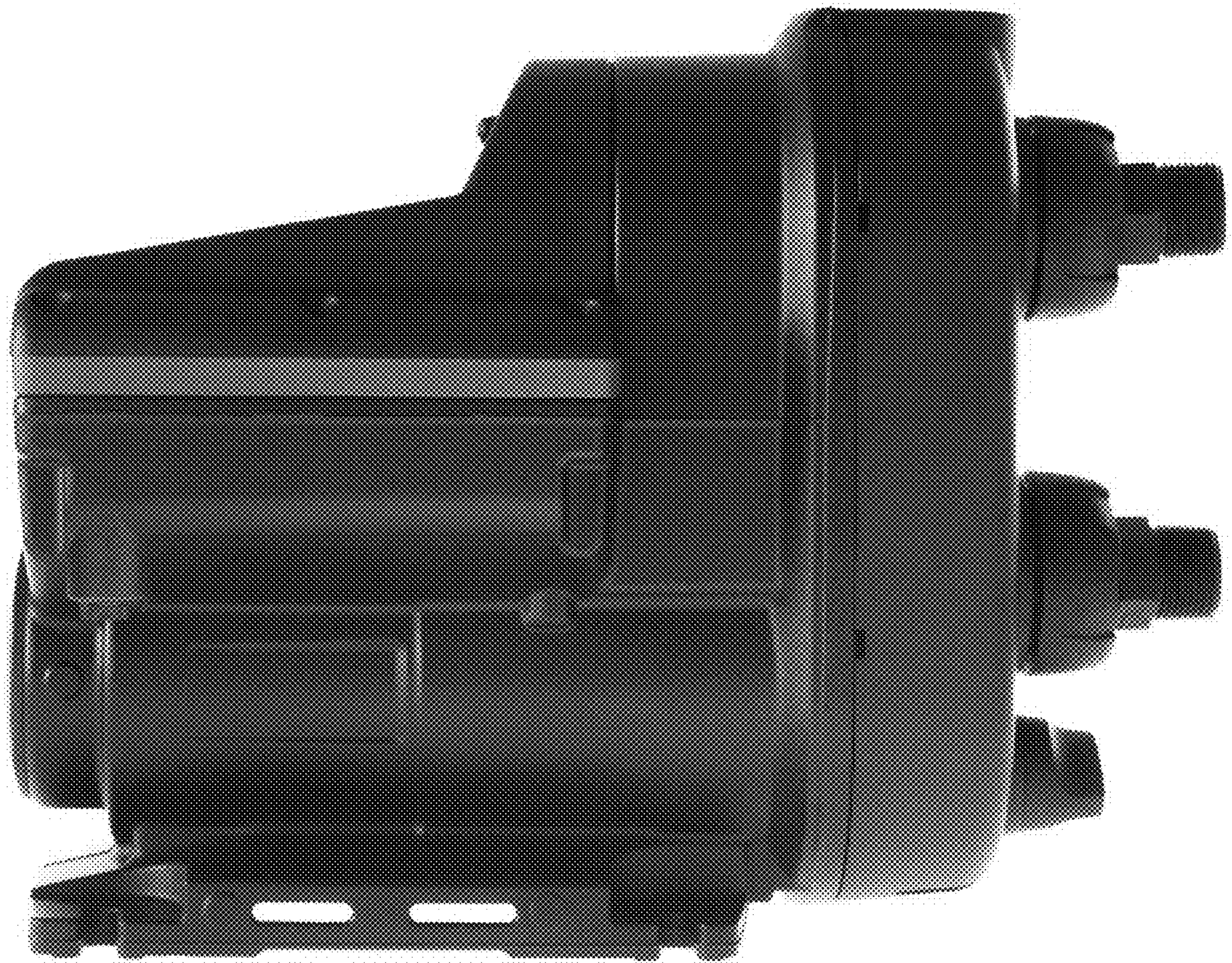


Fig. 4

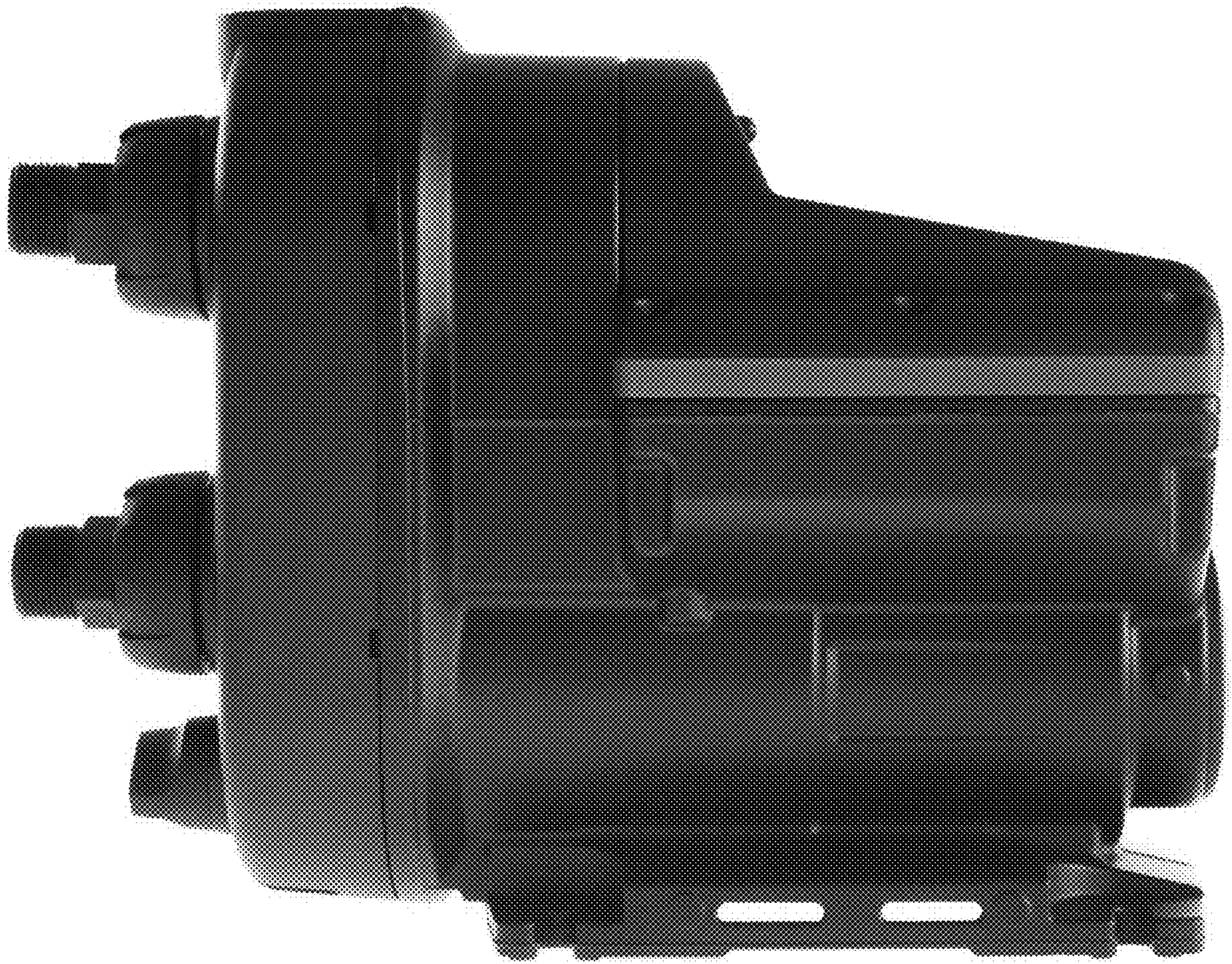


Fig. 5



Fig. 6

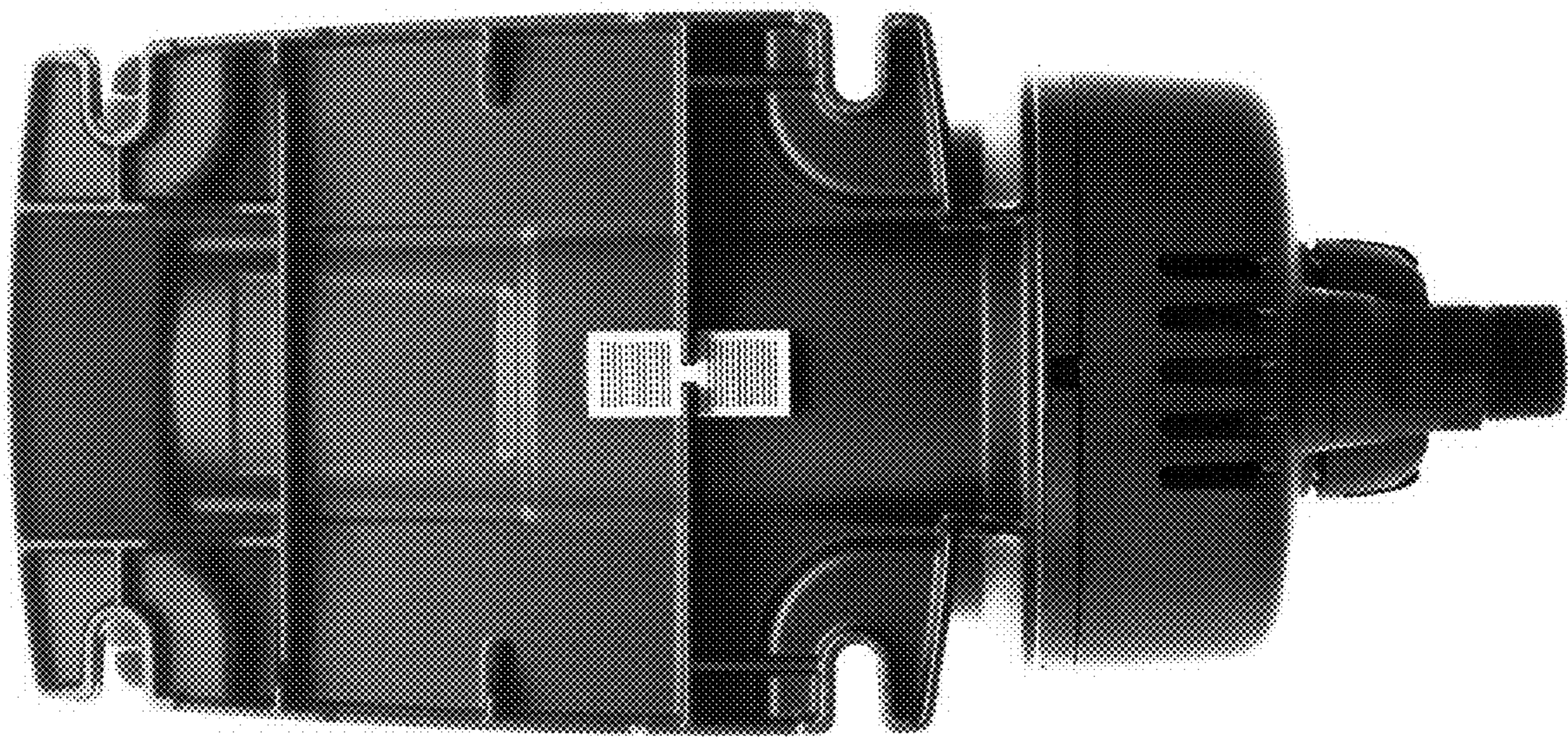


Fig. 7