



US00D872131S

(12) **United States Design Patent**
Hamburger et al.

(10) **Patent No.:** **US D872,131 S**
(45) **Date of Patent:** **** Jan. 7, 2020**

- (54) **SUPERCHARGER SYSTEM**
- (71) Applicant: **Hamburger Specialty Vehicles, Inc.**,
Toms River, NJ (US)
- (72) Inventors: **Edward Hamburger**, Toms River, NJ
(US); **David Goral**, Bayville, NJ (US);
Henry Daniecki, Cream Ridge, NJ
(US)
- (73) Assignee: **Hamburger's Specialty Vehicles, Inc.**,
Toms River, NJ (US)
- (**) Term: **15 Years**
- (21) Appl. No.: **29/658,392**
- (22) Filed: **Jul. 31, 2018**
- (51) **LOC (12) Cl.** **15-01**
- (52) **U.S. Cl.**
USPC **D15/5**
- (58) **Field of Classification Search**
USPC D15/1-5
CPC F01D 9/026; F02B 37/183; F02B 29/0412;
F02B 29/0437; F02B 33/36; F02B 27/00;
F02B 33/44; F02B 61/02; F02M
35/10157; F02M 35/116; F02M 35/161;
F02M 35/10039; F02M 35/10045; F02M
35/10144; F02M 35/10268
See application file for complete search history.

D808,436 S	1/2018	Hamburger et al.	
D811,438 S	2/2018	Hamburger et al.	
D835,157 S *	12/2018	Hamburger	D15/5
2013/0306040 A1 *	11/2013	Yamada	F02B 29/04 123/563
2017/0218891 A1 *	8/2017	Zoner	F02B 33/36
2017/0284421 A1 *	10/2017	Wade	F02M 35/10157
2018/0051662 A1 *	2/2018	Owen	F02M 35/10144
2019/0063304 A1 *	2/2019	Lefebvre	F02B 29/0425

OTHER PUBLICATIONS

Pending Design U.S. Appl. No. 29/582,660, filed Oct. 28, 2016.

* cited by examiner

Primary Examiner — T Chase Nelson

Assistant Examiner — Ania Aman

(74) *Attorney, Agent, or Firm* — MacMillan, Sobanski & Todd, LLC

(57) **CLAIM**

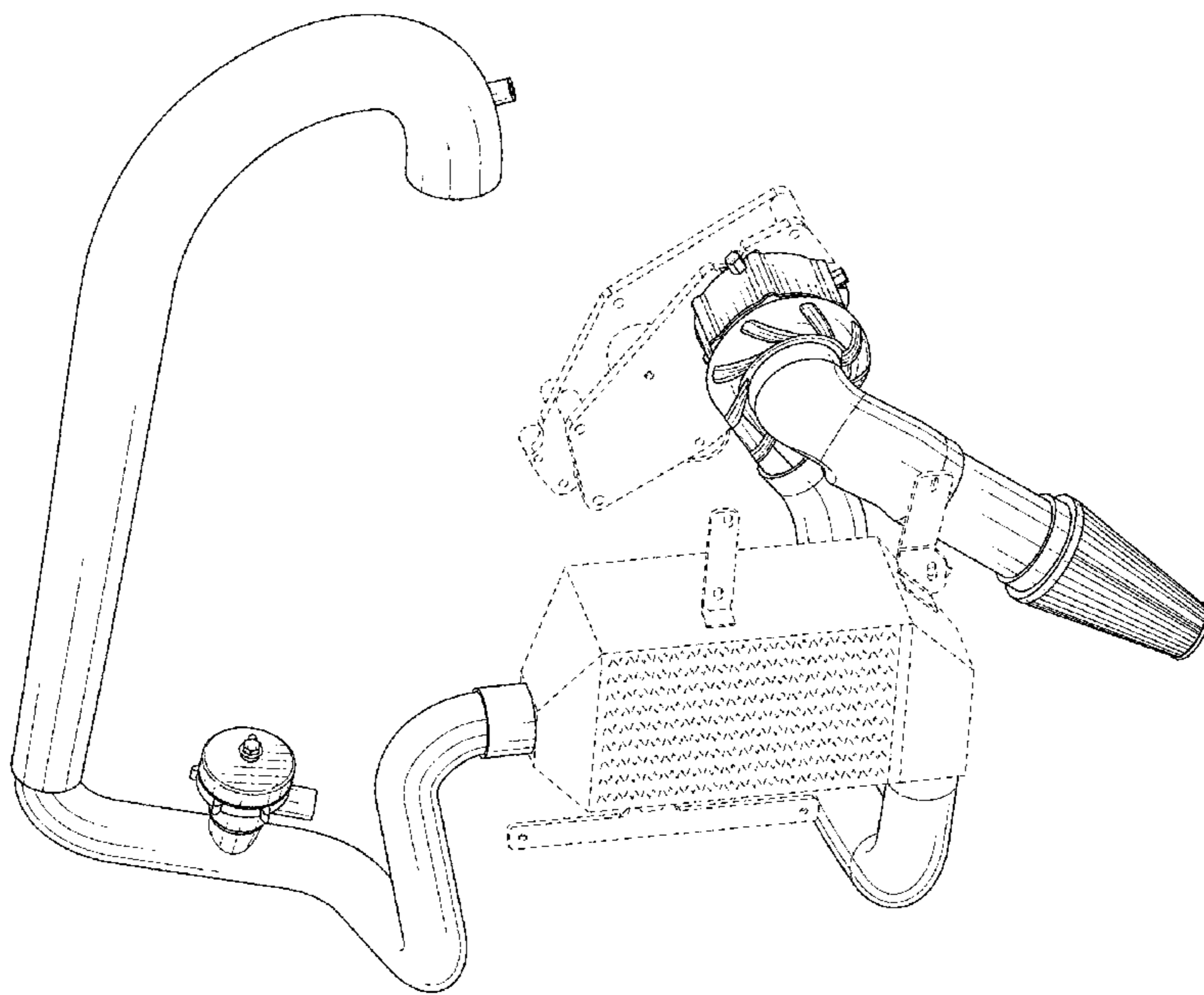
The ornamental design for a supercharger system, as shown and described.

DESCRIPTION

FIG. 1 is a perspective view of a supercharger system according to the design;
 FIG. 2 is a front elevational view thereof;
 FIG. 3 is a rear elevational view thereof;
 FIG. 4 is a right side elevational view thereof;
 FIG. 5 is a left side elevational view thereof;
 FIG. 6 is a top plan view thereof; and,
 FIG. 7 is a bottom plan view thereof.
 The broken lines shown in the drawings are for the purposes of illustrating portions of the article that form no part of the claimed design.

1 Claim, 5 Drawing Sheets

- (56) **References Cited**
U.S. PATENT DOCUMENTS
- 8,439,019 B1 * 5/2013 Carlson F16H 7/20
123/559.1
- 8,439,020 B1 * 5/2013 Carlson F02B 33/40
123/559.1



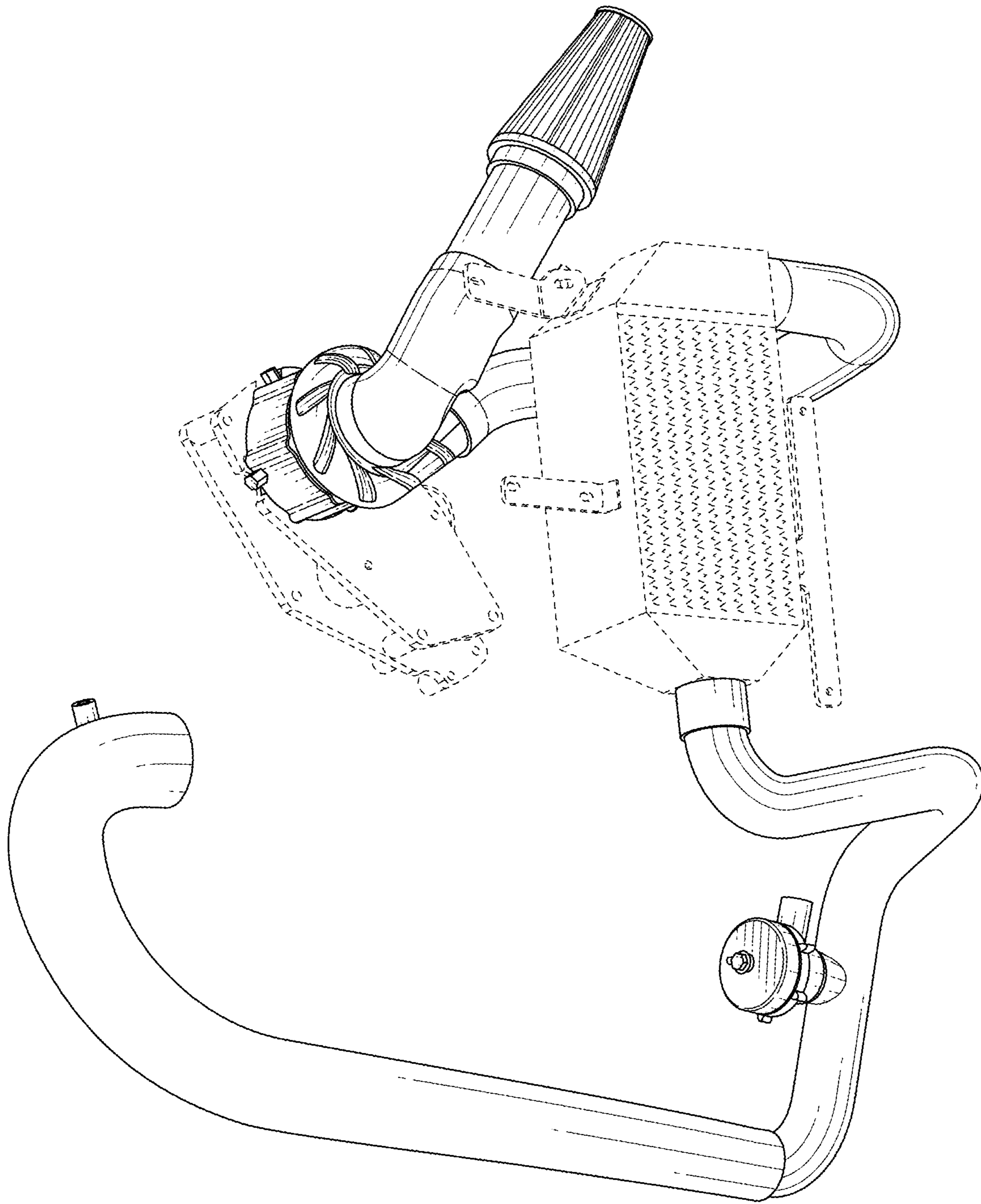


FIG. 1

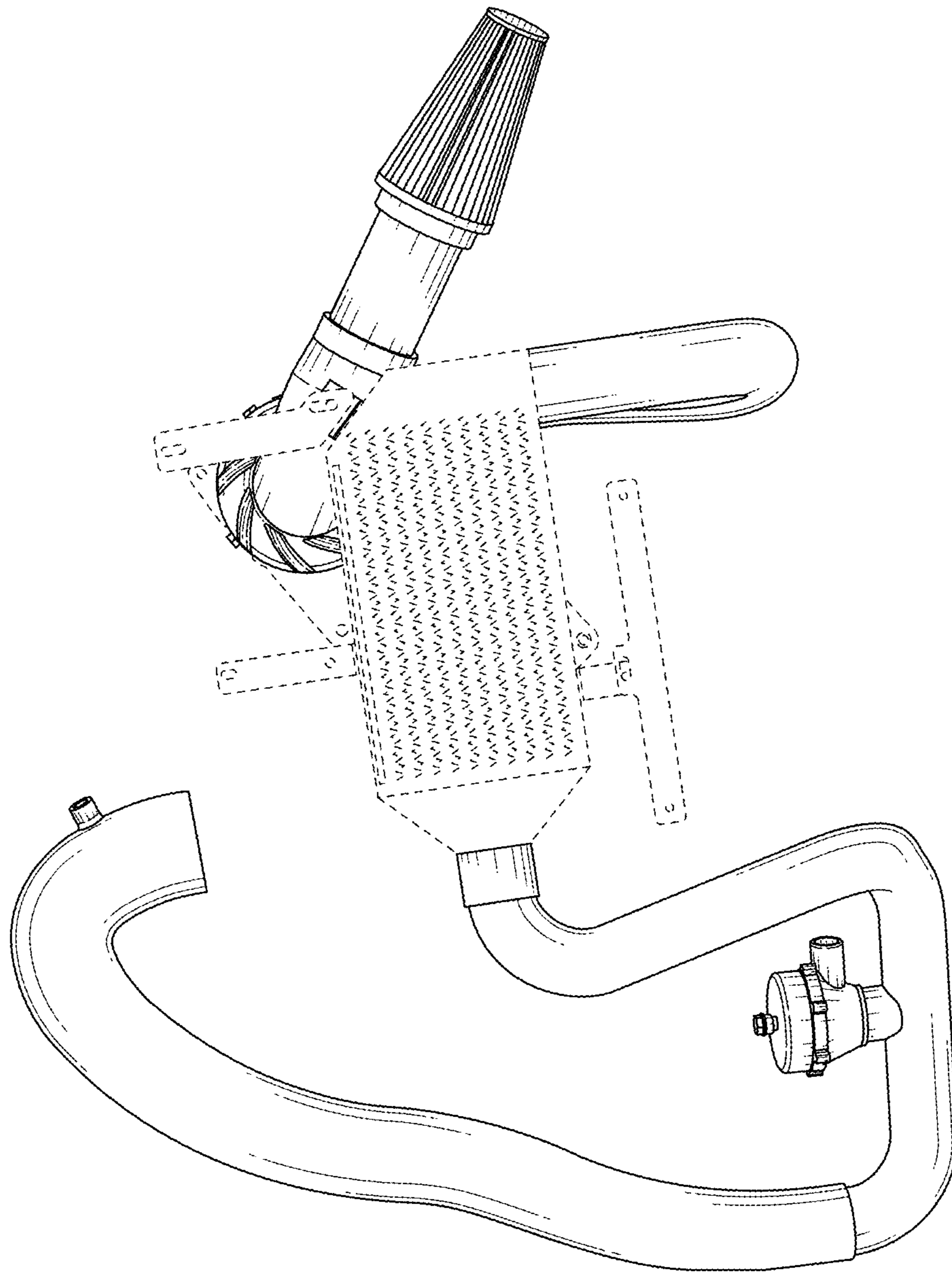


FIG. 2

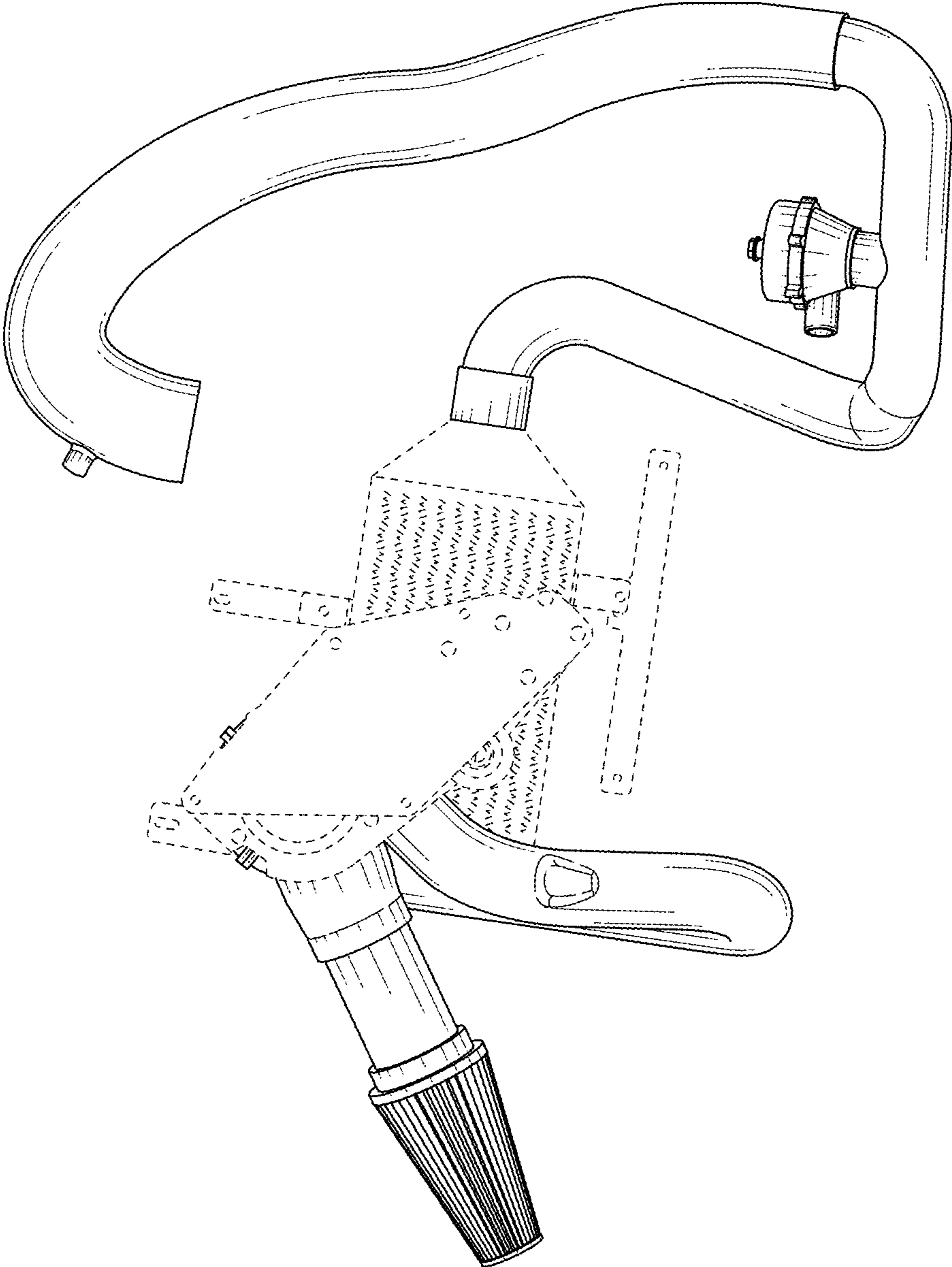


FIG. 3

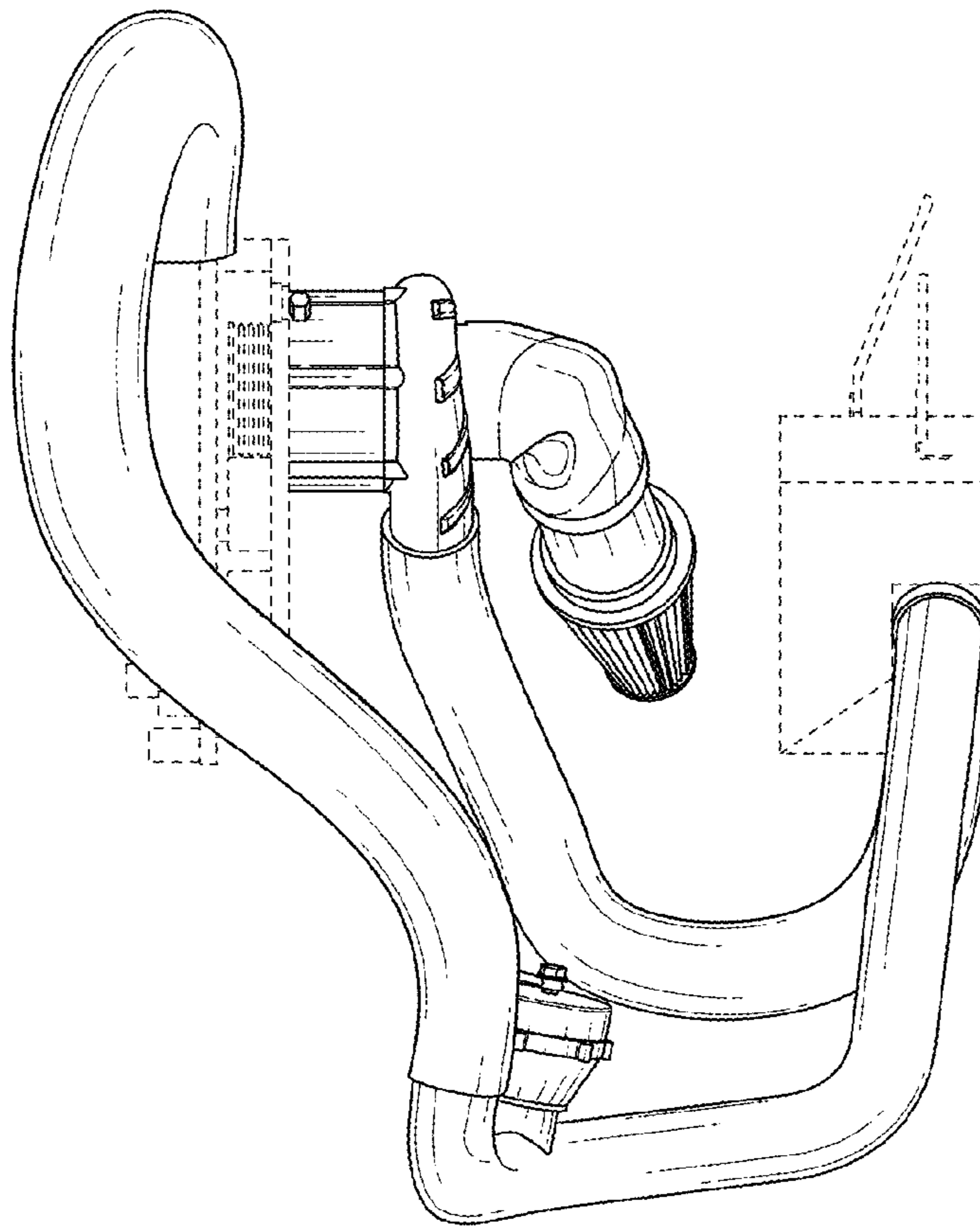


FIG. 4

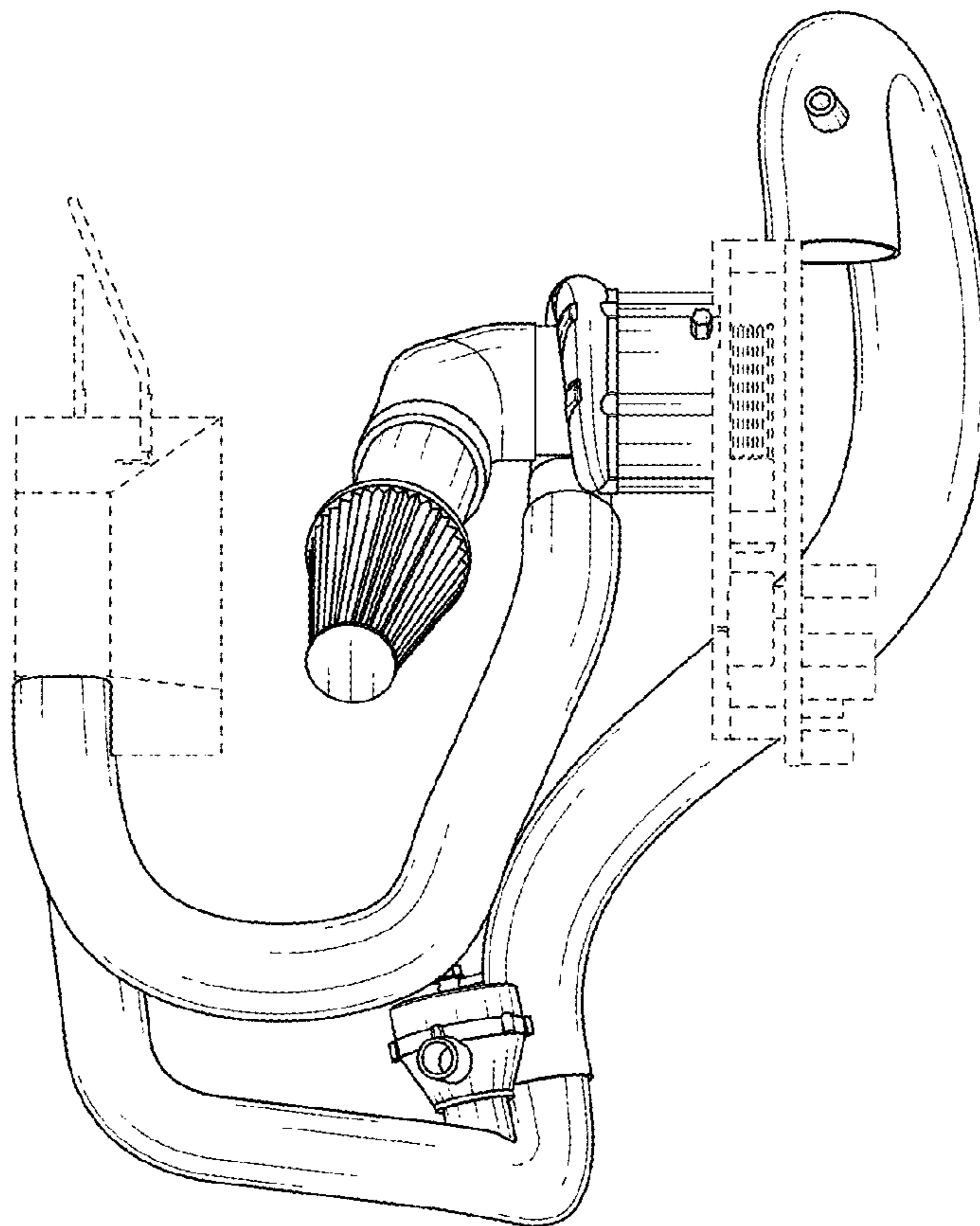


FIG. 5

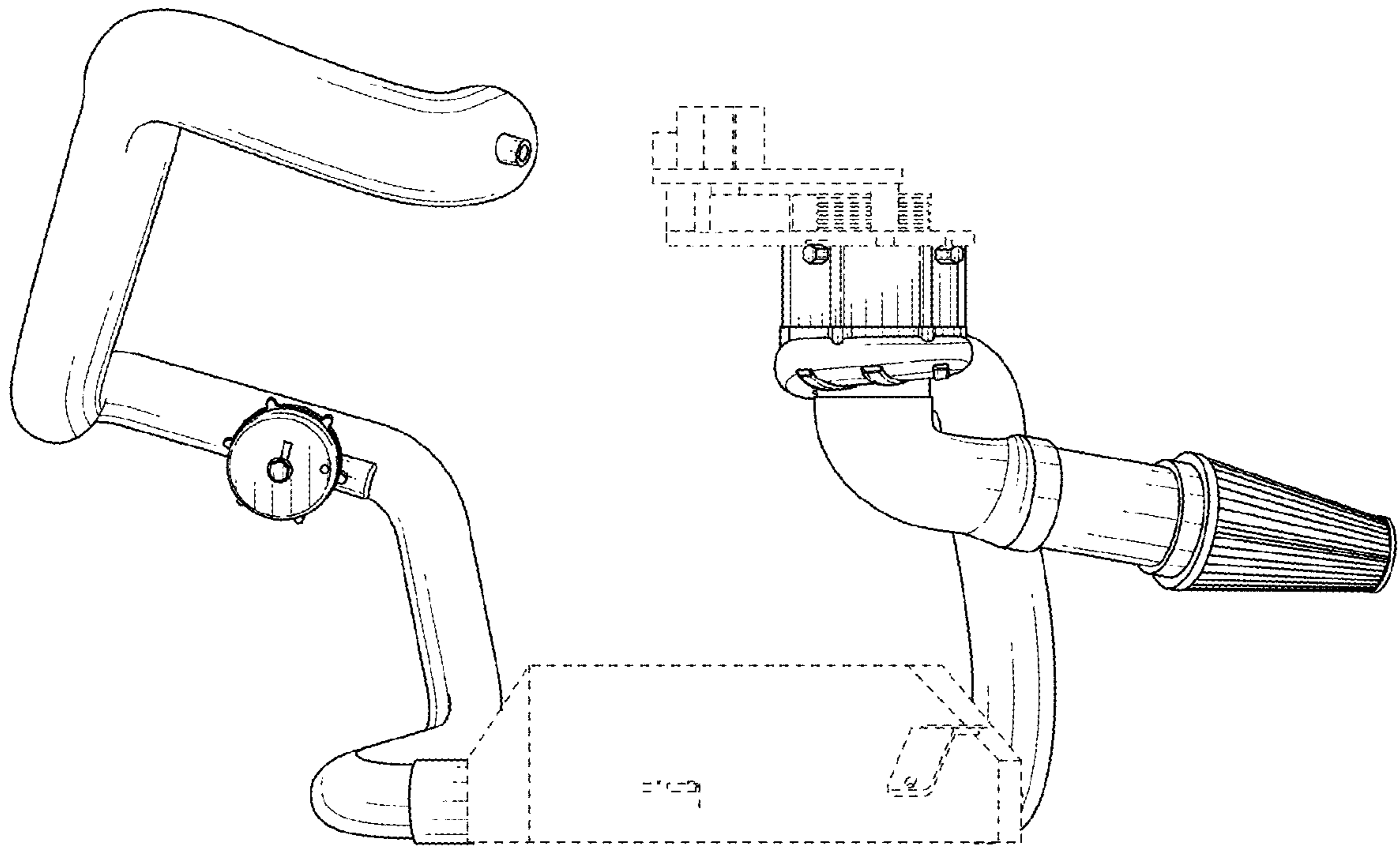


FIG. 6

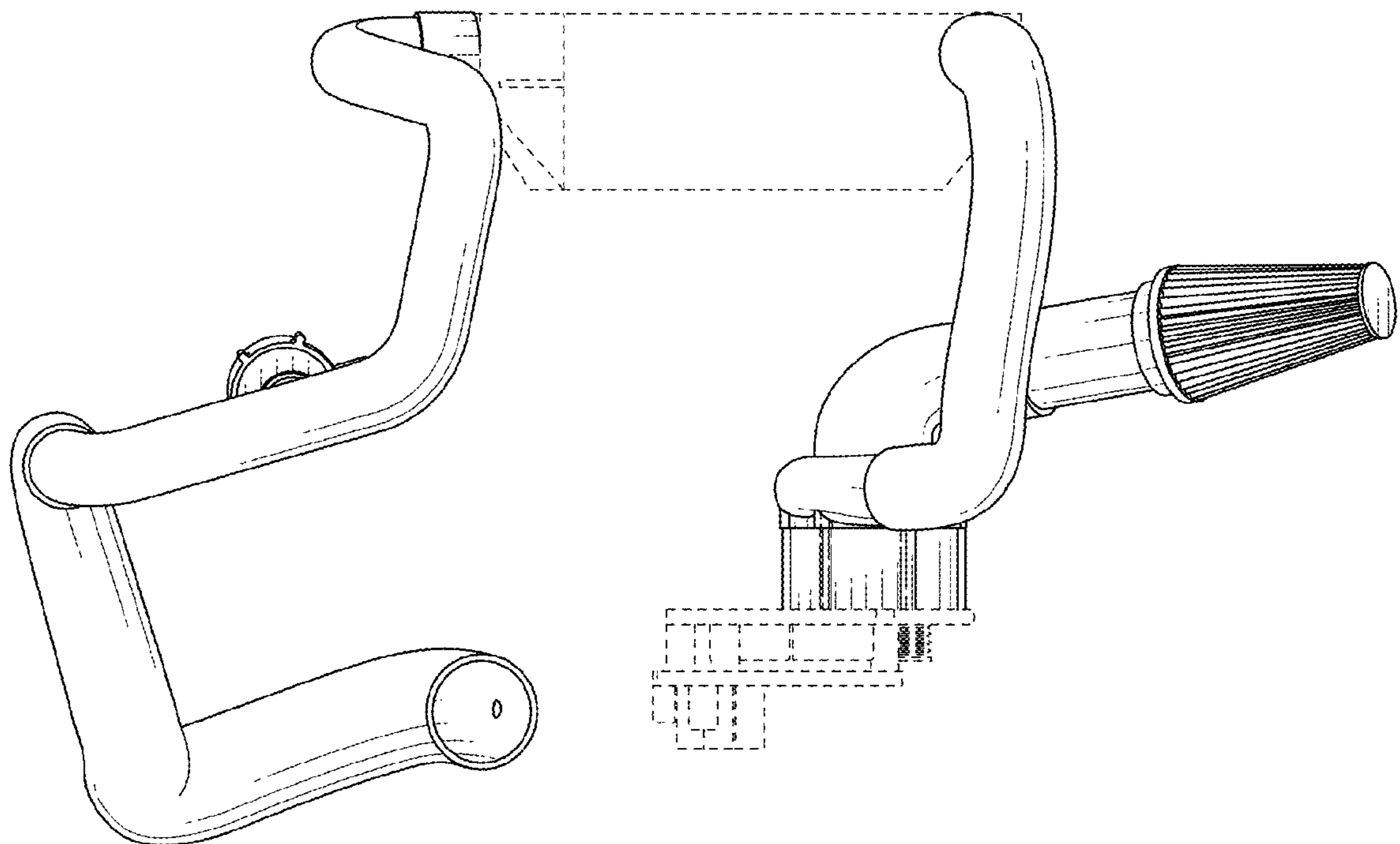


FIG. 7