



US00D872114S

(12) **United States Design Patent**
Schuster

(10) **Patent No.: US D872,114 S**
(45) **Date of Patent: ** Jan. 7, 2020**

(54) **DISPLAY SCREEN, OR PORTION THEREOF, WITH A GRAPHICAL USER INTERFACE**

(71) Applicant: **Michael J. Schuster**, Shorewood, IL (US)

(72) Inventor: **Michael J. Schuster**, Shorewood, IL (US)

(**) Term: **15 Years**

(21) Appl. No.: **29/644,926**

(22) Filed: **Apr. 21, 2018**

(51) **LOC (12) Cl.** **14-04**

(52) **U.S. Cl.**
USPC **D14/486**; D14/490; D14/492

(58) **Field of Classification Search**
USPC D14/485–495
CPC ... B60K 37/00; G06F 3/0481; G06F 3/04845; G06F 3/04817; G06F 17/212; G06F 19/3406; G06T 13/80; G06T 15/02
See application file for complete search history.

(56) **References Cited**

U.S. PATENT DOCUMENTS

- 8,217,904 B2* 7/2012 Kim G06F 3/0481 345/173
- D735,235 S * 7/2015 Zhou D14/487
- D744,540 S * 12/2015 Brunner D14/495
- D760,766 S * 7/2016 Repka D14/487
- 2006/0112353 A1* 5/2006 Okamoto G06F 3/0488 715/810
- 2008/0153071 A1* 6/2008 Stillman G09B 1/16 434/112
- 2009/0227429 A1* 9/2009 Baudhuin G16H 40/20 482/57

- 2012/0056836 A1* 3/2012 Cha G06F 3/04842 345/173
- 2014/0173443 A1* 6/2014 Hawkins, III G06F 9/452 715/733
- 2016/0125635 A1* 5/2016 Nam A63F 13/65 715/781

* cited by examiner

Primary Examiner — Philip S Hyder
Assistant Examiner — Cary M. Robinson
(74) *Attorney, Agent, or Firm* — Thomas| Horstemeyer, LLP

(57) **CLAIM**

I claim the ornamental design for a display screen, or portion thereof, with a graphical user interface, as shown and described.

DESCRIPTION

FIG. 1 is the first image in a sequence for a display screen, or portion thereof, with a graphical user interface showing a first embodiment of the new design;
FIG. 2 is a second image thereof;
FIG. 3 is the first image in a sequence for a display screen, or portion thereof, with a graphical user interface showing a second embodiment of the new design;
FIG. 4 is a second image thereof;
FIG. 5 is the first image in a sequence for a display screen, or portion thereof, with a graphical user interface showing a third embodiment of the new design; and,
FIG. 6 is a second image thereof.
The appearance of the transitional graphical user interface sequentially transitions between the images shown in FIGS. 1-2; FIGS. 3-4; and FIGS. 5-6. The process or period in which one image transitions to another forms no part of the claimed design. The broken lines in the drawings illustrate portions of the graphical user interface that form no part of the claimed design.

1 Claim, 6 Drawing Sheets

| | |
|---|--|
| <p>Detailed Description</p> <p>-----</p> <p>-----</p> <p>-----</p> <p>-----</p> <p>-----</p> <p>-----</p> <p>-----</p> <p style="text-align: right;">Handlebar 30</p> <p>that controls steering of the front wheel</p> <p>-----</p> <p>-----</p> <p>-----</p> <p>-----</p> <p>-----</p> | <p style="text-align: center;">FIG. 1</p> |
|---|--|

Detailed Description

Handlebar 30

that controls steering
of the front wheel



FIG. 1

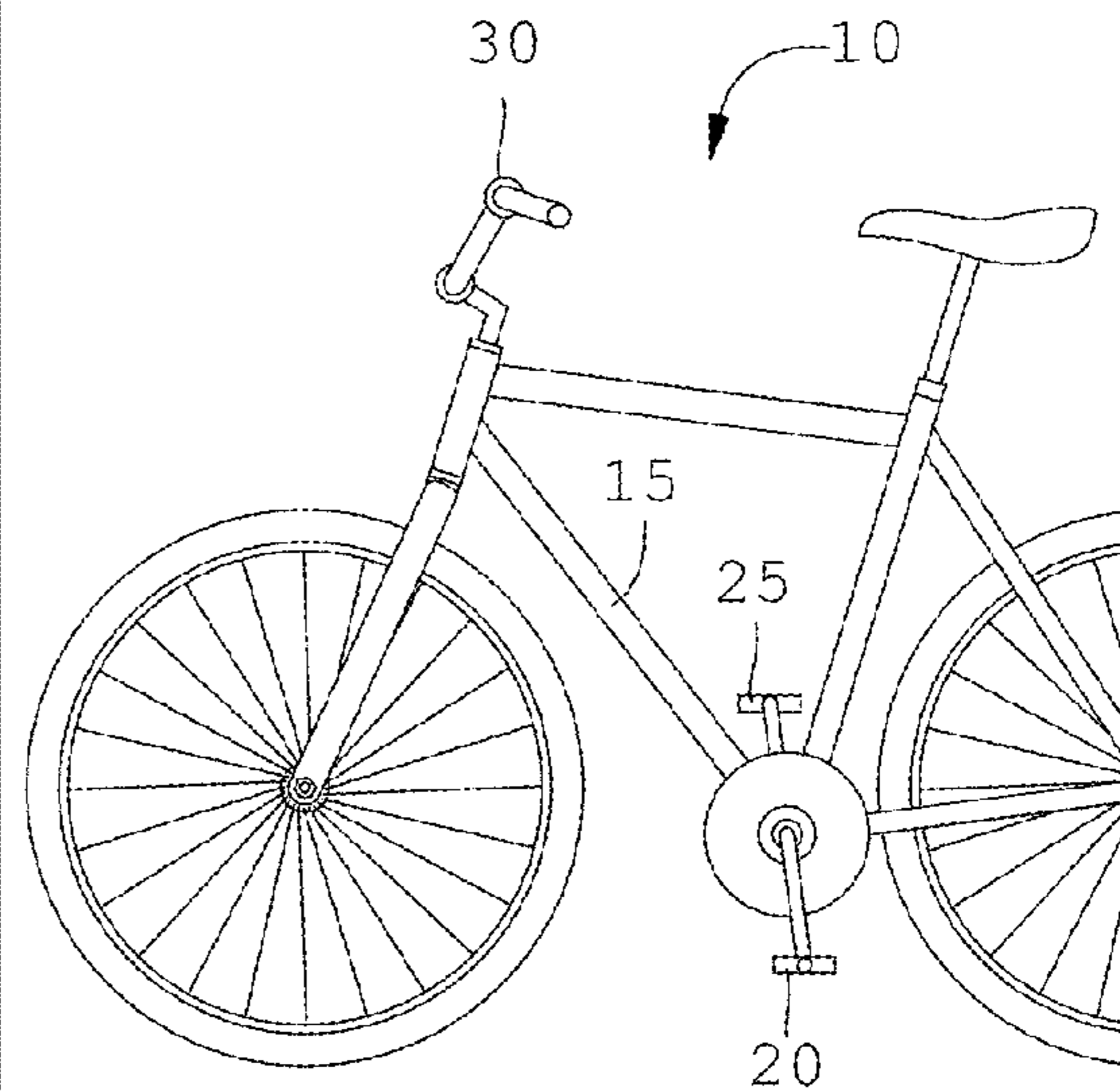


FIG. 1

Detailed Description

Handlebar 30

that controls steering
of the front wheel

FIG. 1

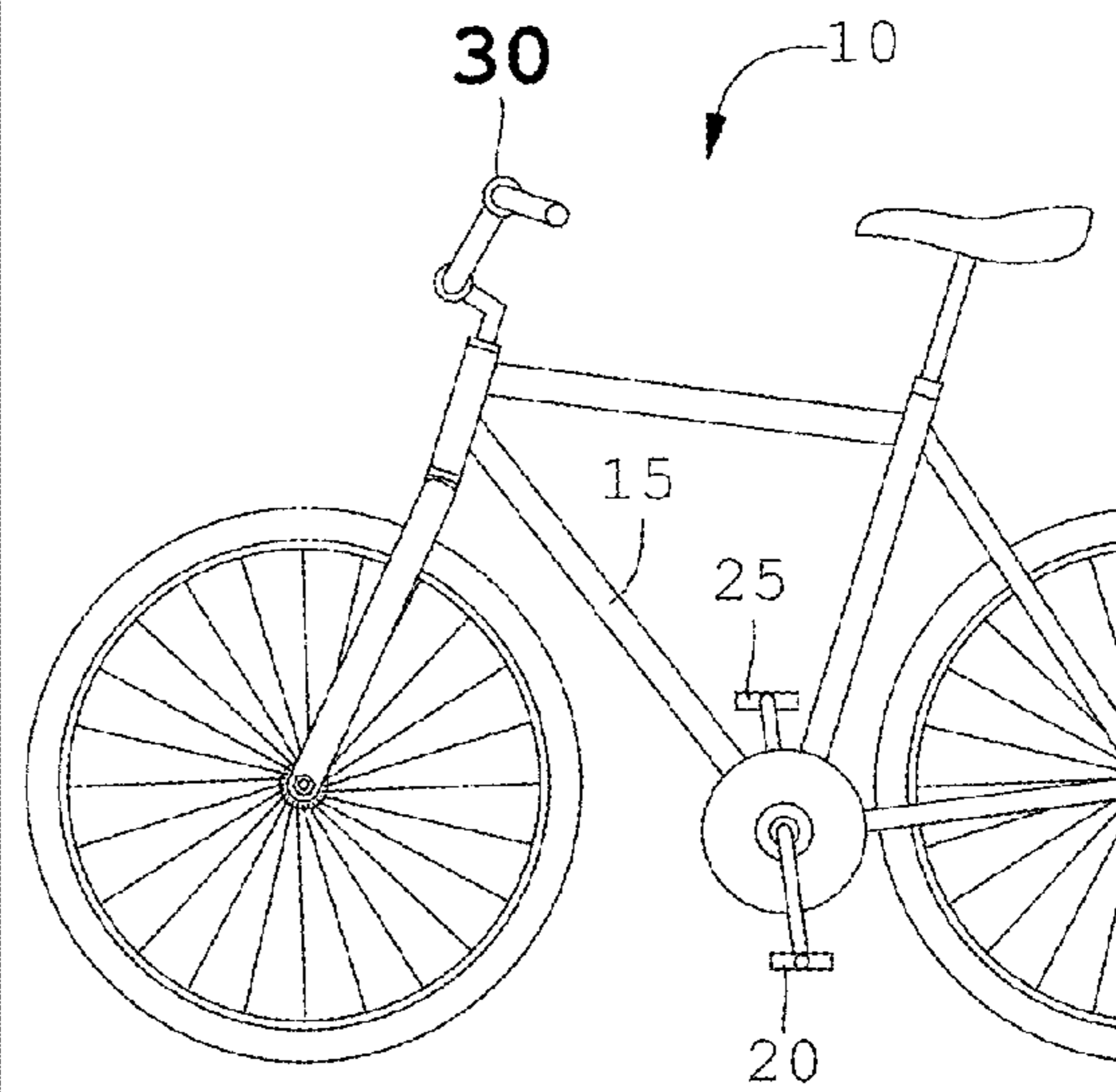


FIG. 2

Detailed Description

Handlebar 30

...that controls steering
of the front wheel..

FIG. 1

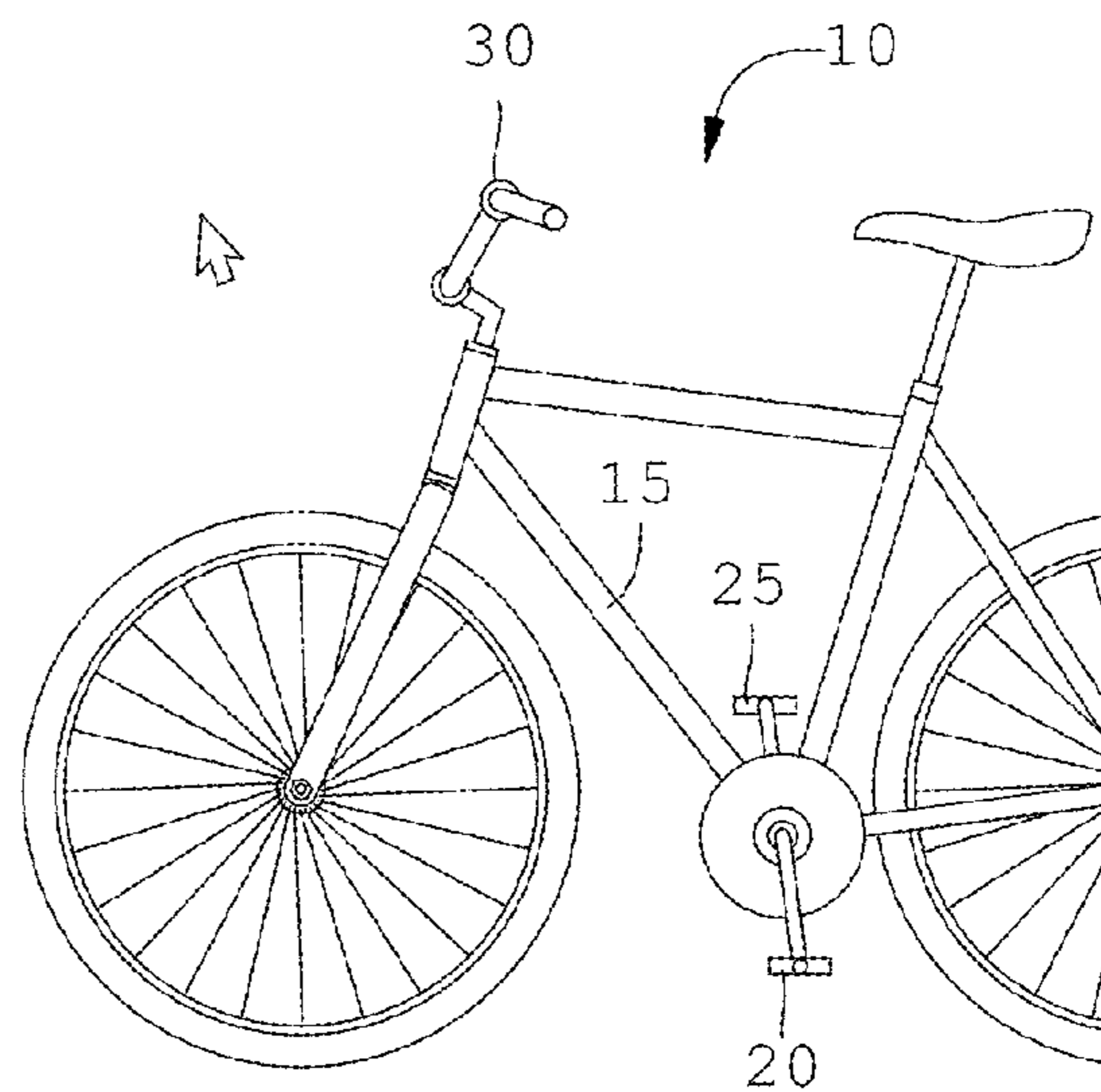


FIG. 3

Detailed Description

Handlebar 30

...that controls steering
of the front wheel..

FIG. 1

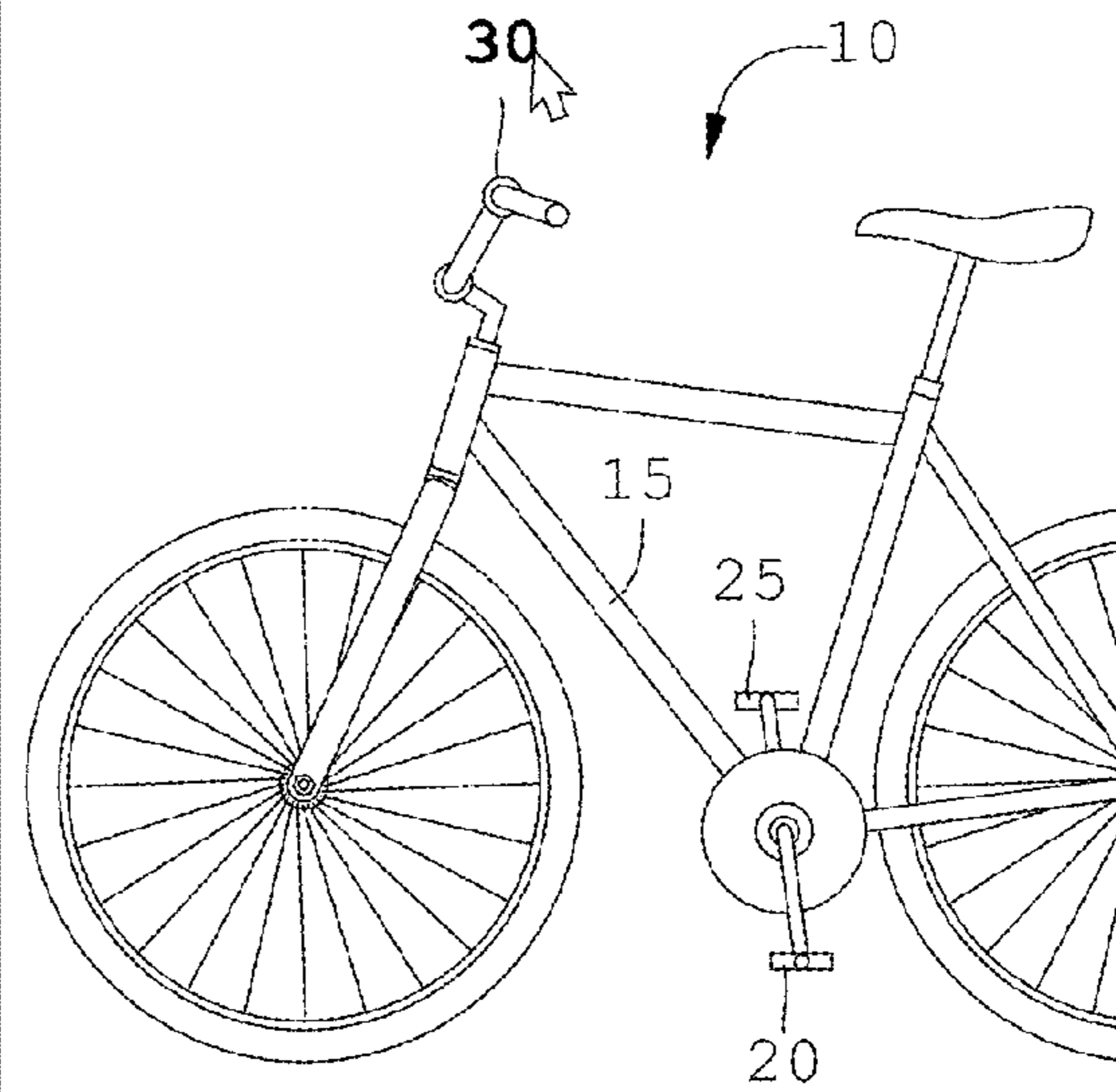


FIG. 4

Detailed Description

Embodiments for a bicycle 10 are disclosed, where the bicycle 10 comprises a frame 15, a first pedal 20, a second pedal 25, handle bar 30 that controls steering of the front wheel

Claims

- 1) A bicycle, comprising
 - a frame;
 - a first pedal;
 - a second pedal;
 - a handle bar
- -----

FIG. 1

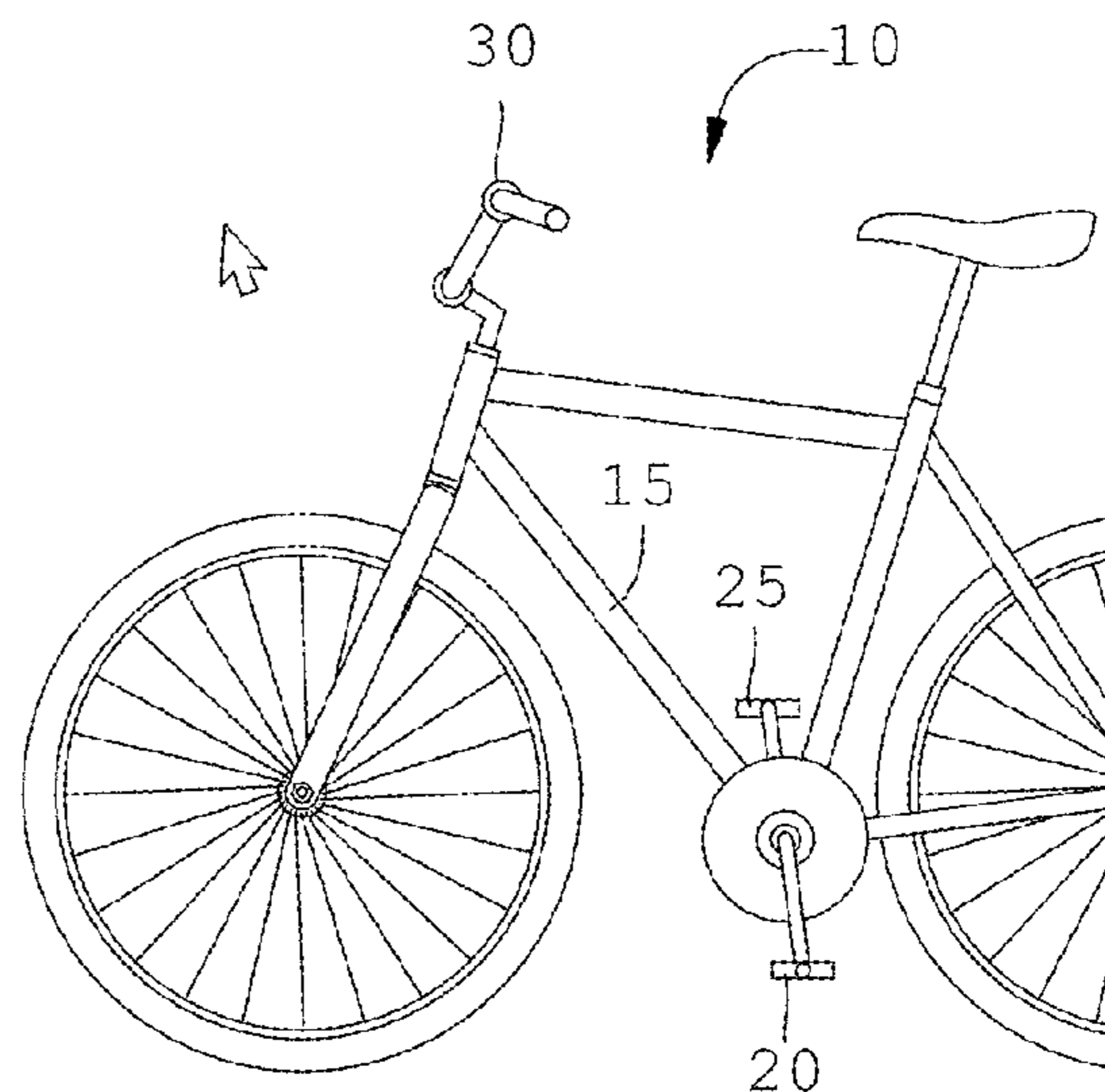


FIG. 5

Detailed Description

Embodiments for a bicycle 10 are disclosed, where the bicycle 10 comprises a frame 15, a first pedal 20, a second pedal 25, **handle bar 30** that controls steering of the front wheel

Claims

- 1) A bicycle, comprising
 - a frame;
 - a first pedal;
 - a second pedal;
 - a handle bar**
- -----

FIG. 1

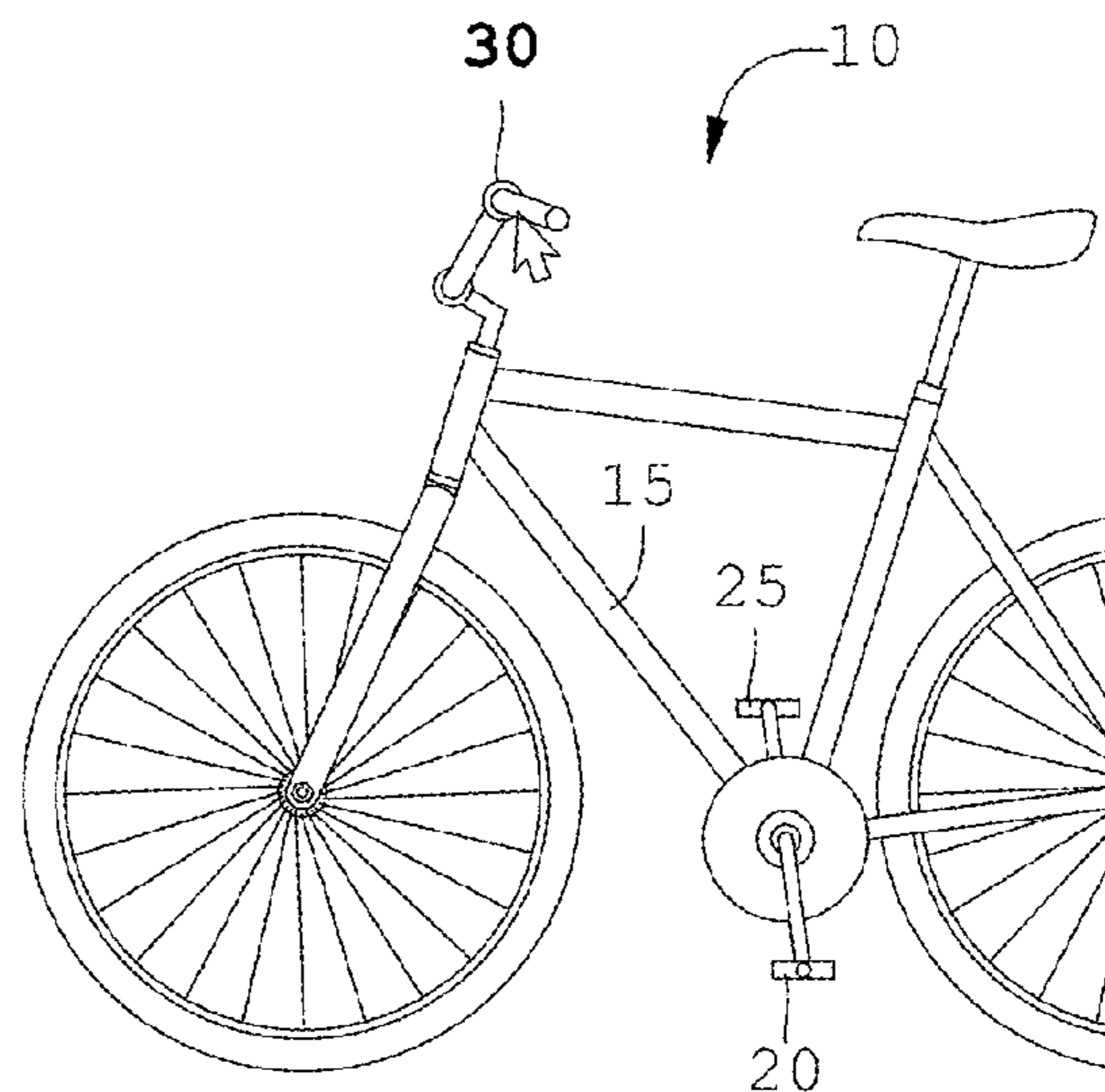


FIG. 6