



US00D872108S

(12) **United States Design Patent** (10) **Patent No.:** **US D872,108 S**
Wang et al. (45) **Date of Patent:** **** Jan. 7, 2020**

(54) **DISPLAY SCREEN WITH TRANSITIONAL GRAPHICAL USER INTERFACE**

(71) Applicant: **SHENZHEN ROYOLE TECHNOLOGIES CO. LTD.**,
Shenzhen, Guangdong (CN)

(72) Inventors: **Yiqi Wang**, Guangdong (CN); **Zhaoyu Zhong**, Guangdong (CN); **Zheng Huang**, Guangdong (CN); **Jianwen Cen**, Guangdong (CN); **Yan Zhan**, Guangdong (CN)

(73) Assignee: **SHENZHEN ROYOLE TECHNOLOGIES CO., LTD.**,
Shenzhen (CN)

(**) Term: **15 Years**

(21) Appl. No.: **29/649,564**

(22) Filed: **May 31, 2018**

(30) **Foreign Application Priority Data**

Dec. 1, 2017 (CN) 2017 3 0605774

(51) **LOC (12) Cl.** **14-04**

(52) **U.S. Cl.**
USPC **D14/485**; D14/487

(58) **Field of Classification Search**
USPC D14/485-495; D20/11; D21/324, 325
CPC G06F 3/048; G06F 3/0481; G06F 3/04817;
G06F 3/0482; G06F 3/0483; G06F
3/04842; G06F 3/0485; G06F 3/04855;
G06F 3/0486; G06F 3/0488; G06F
3/04886;

(Continued)

(56) **References Cited**

U.S. PATENT DOCUMENTS

D690,728 S * 10/2013 Brinda D14/488
D721,090 S * 1/2015 Hong D14/487

(Continued)

OTHER PUBLICATIONS

“Creating Your Own Animated Custom View in Android” Dec. 7, 2015, posted at raphaelfavero.github.io, [site visited Jun. 7, 2019].
http://raphaelfavero.github.io/Creating_Animated_Custom_View*

(Continued)

Primary Examiner — Jack Reickel

Assistant Examiner — John M Otte

(74) *Attorney, Agent, or Firm* — Hauptman Ham, LLP

(57) **CLAIM**

The ornamental design for a display screen with transitional graphical user interface, as shown and described.

DESCRIPTION

FIG. 1 is a first image of the display screen with transitional graphical user interface used in a portable electronic device in accordance with the present invention;

FIG. 2 is a second image of the display screen with transitional graphical user interface depicted in FIG. 1;

FIG. 3 is a third image of the display screen with transitional graphical user interface depicted in FIG. 1;

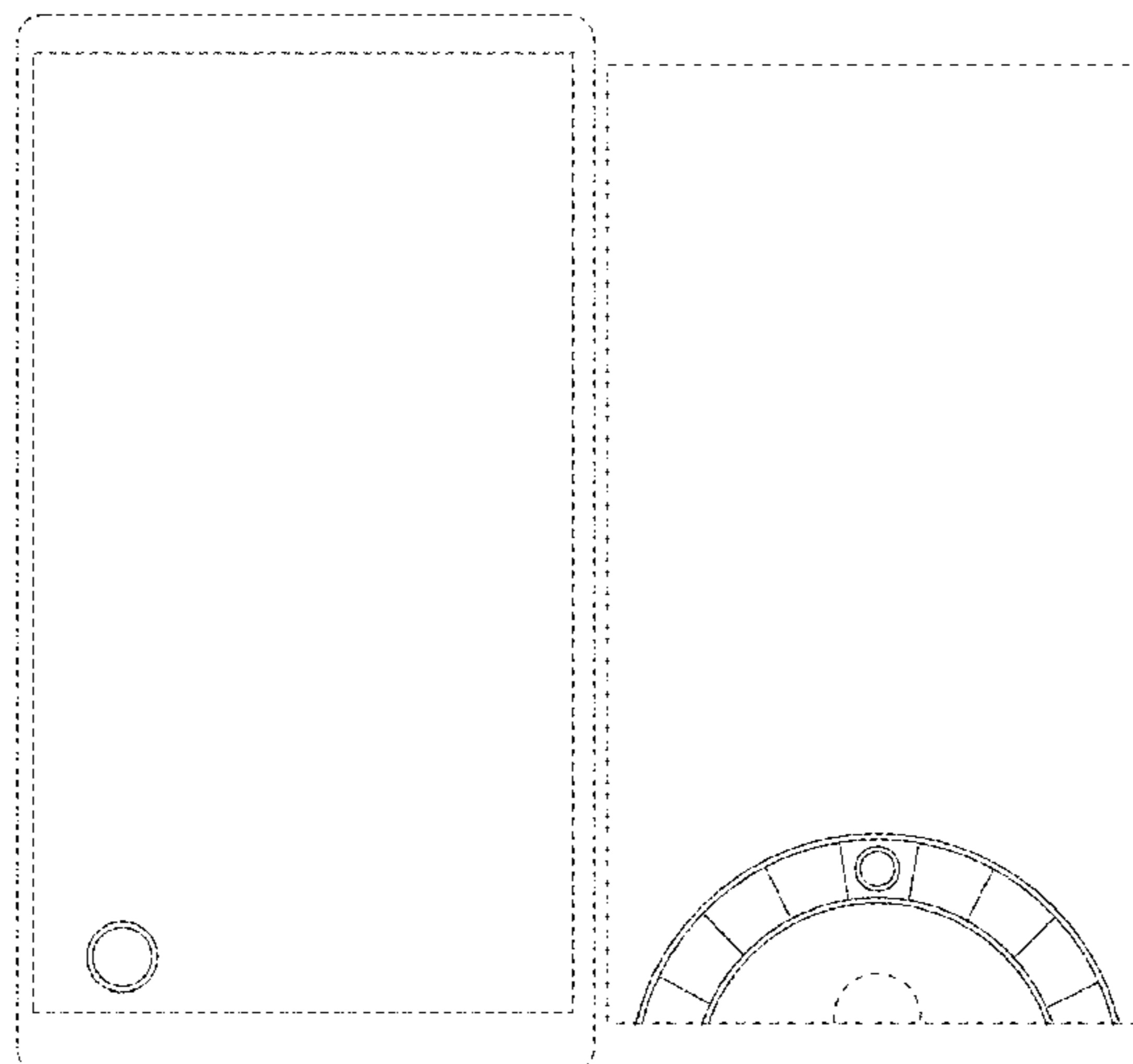
FIG. 4 is a fourth image of the display screen with transitional graphical user interface depicted in FIG. 1; and,

FIG. 5 is a fifth image of the display screen with transitional graphical user interface depicted in FIG. 1.

The broken line showing of a display screen with graphical user interface is included for the purpose of showing portions of the article which form no part of the claim.

The appearance of the transitional image sequentially transitions between the images shown in FIG. 1-5. The process or period in which one image transitions to another forms no part of the claimed design.

1 Claim, 5 Drawing Sheets



(58) **Field of Classification Search**

CPC ... G06F 9/4443; G06F 17/211; G06F 17/212
See application file for complete search history.

(56) **References Cited**

U.S. PATENT DOCUMENTS

D730,917	S	*	6/2015	Lee	D14/485
D755,831	S	*	5/2016	Tsuruta	D14/487
D757,816	S	*	5/2016	Pan	G06F 3/04817 D14/494
D761,840	S	*	7/2016	Patterson	D14/488
D768,143	S	*	10/2016	Drozd	D14/485
D803,247	S	*	11/2017	Mistry	D14/486
D809,554	S	*	2/2018	Lu	D14/487
2010/0325629	A1	*	12/2010	Fujioka	G06F 3/0481 718/1
2014/0047389	A1	*	2/2014	Aarabi	G06F 3/0482 715/834
2014/0092100	A1	*	4/2014	Chen	G06F 3/0482 345/473
2016/0378318	A1	*	12/2016	Tsuju	G06F 3/0488 715/835

OTHER PUBLICATIONS

“What is an Arch?” Feb. 16, 2013, posted at archkitecture.org, [site visited Jun. 7, 2019]. <http://archkitecture.org/2013/02/16/what-is-an-arch>.*

Nazario, Kyle, “LMT Brings PIE to Rooted Phones” Apr. 26, 2013, posted at technorms.com, [site visited Jun. 7, 2019]. <https://web.archive.org/web/20130426004958/https://www.technorms.com/16164/lmt-brings-pie-rooted-phones>.*

* cited by examiner

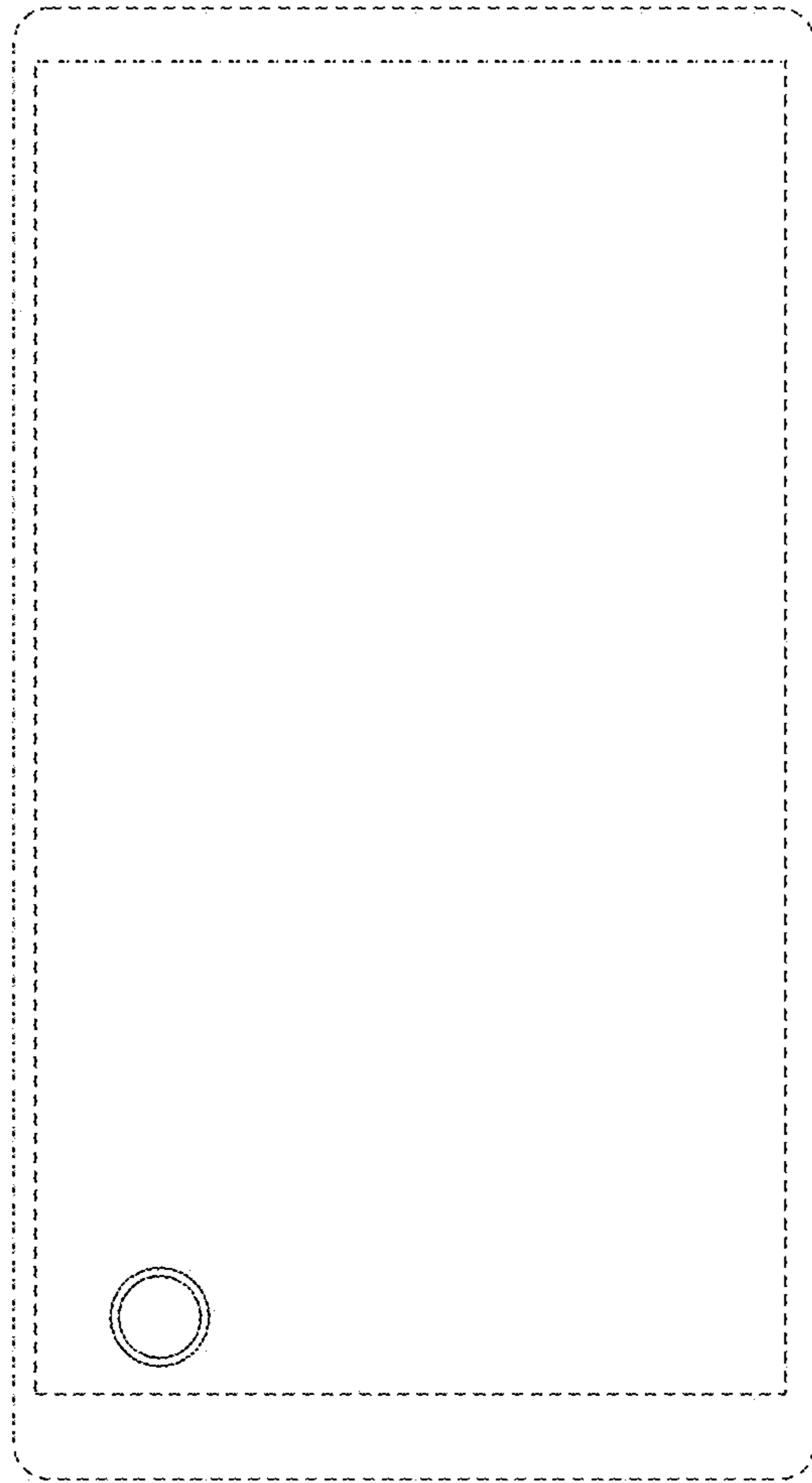


FIG. 1

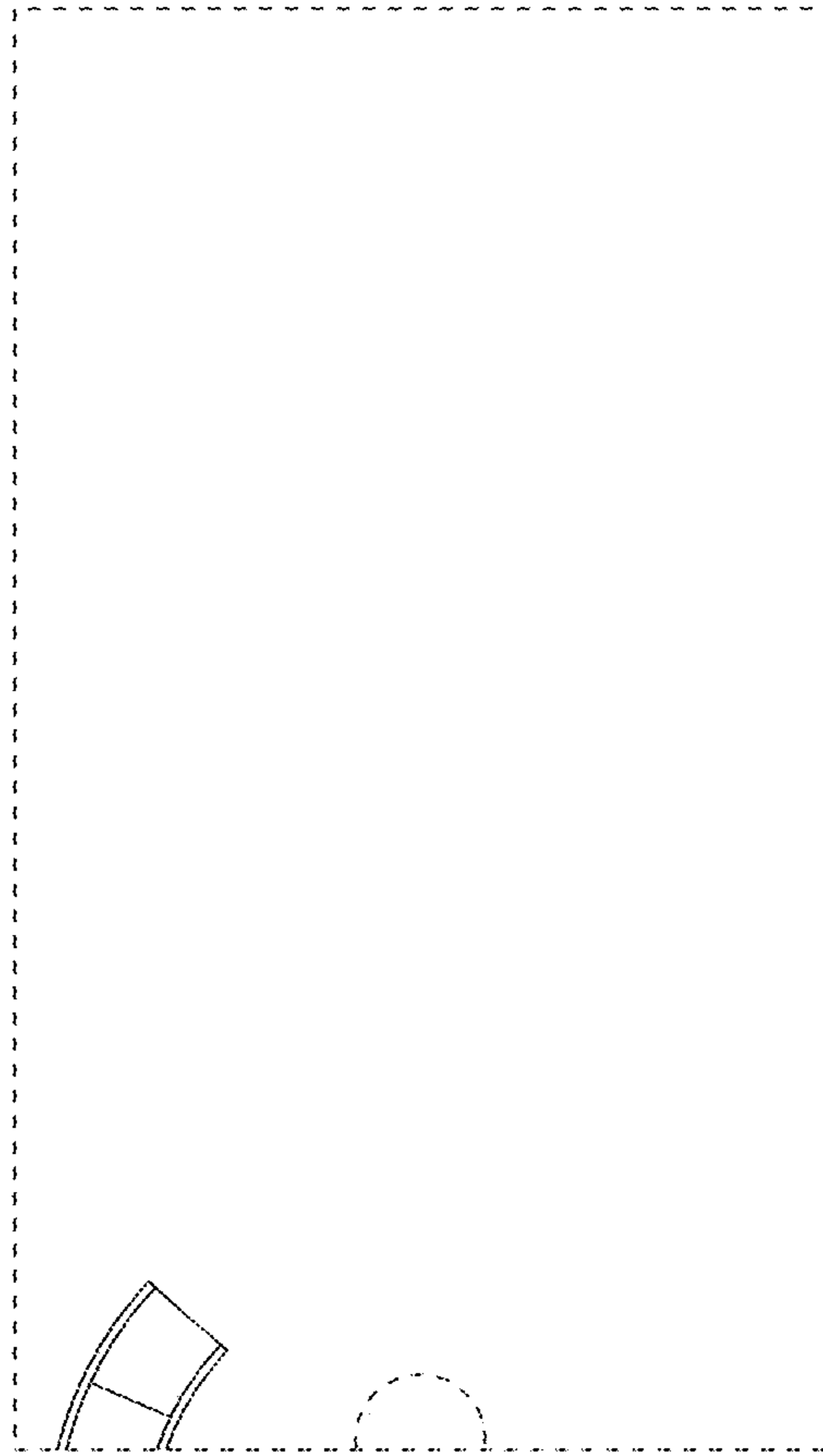


FIG. 2

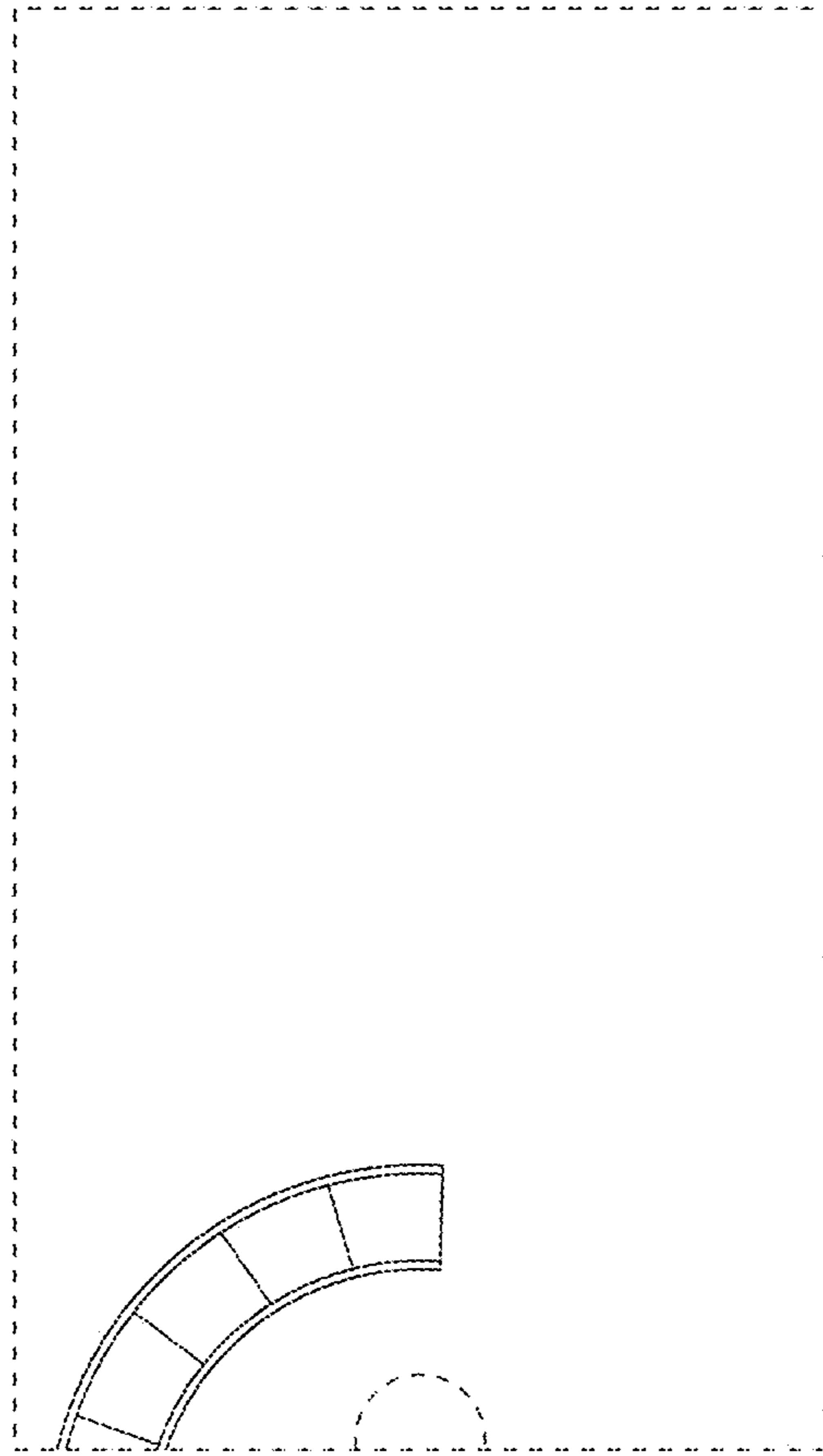


FIG. 3



FIG. 4

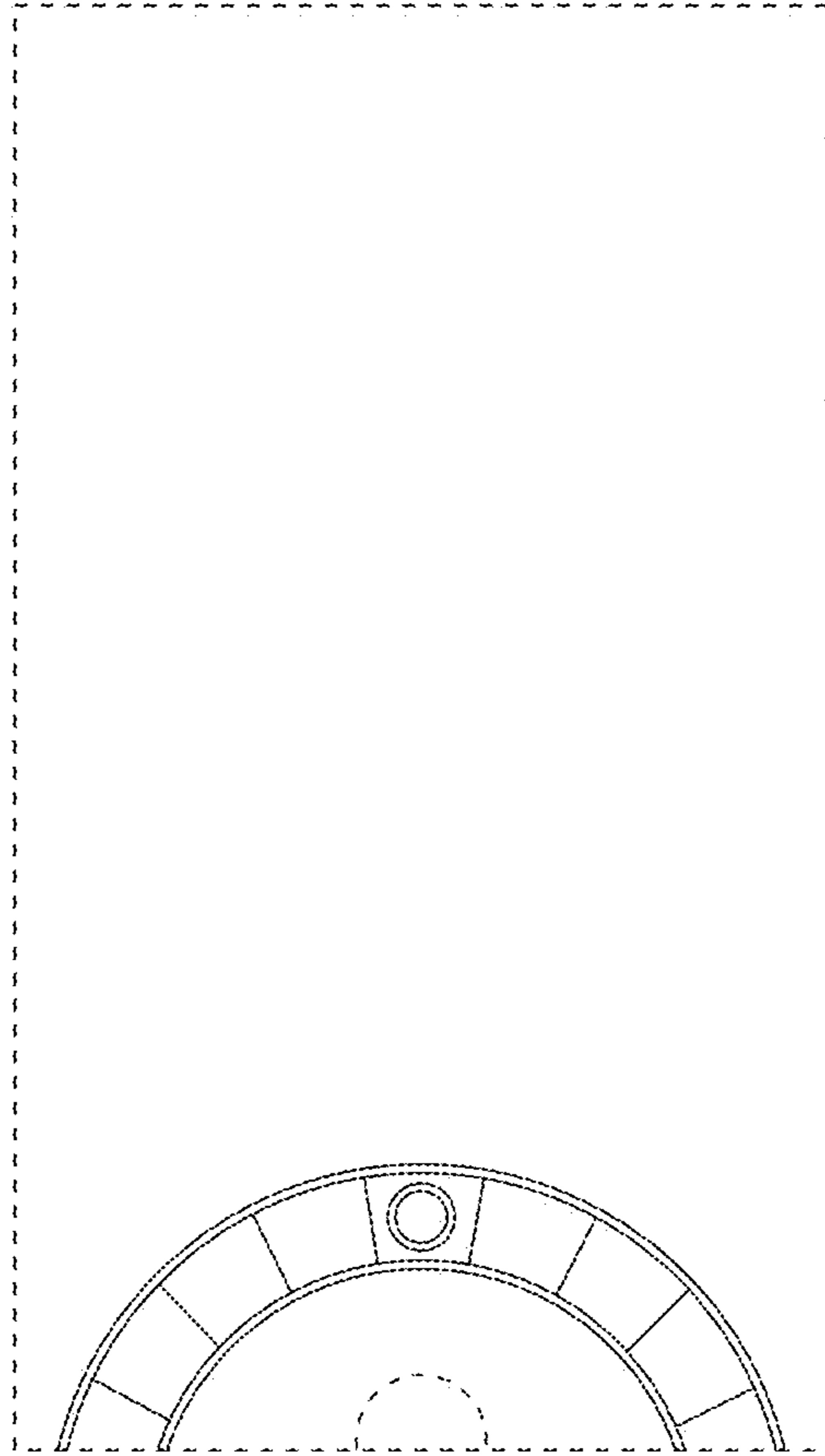


FIG. 5