



US00D872106S

(12) **United States Design Patent**  
**Sakuma**

(10) **Patent No.:** **US D872,106 S**

(45) **Date of Patent:** **\*\* Jan. 7, 2020**

(54) **DIGITAL CAMERA DISPLAY SCREEN WITH GRAPHICAL USER INTERFACE**

(71) Applicant: **FUJIFILM Corporation**, Tokyo (JP)

(72) Inventor: **Nanae Sakuma**, Saitama (JP)

(73) Assignee: **FUJIFILM Corporation**, Tokyo (JP)

(\*\*) Term: **15 Years**

(21) Appl. No.: **29/640,438**

(22) Filed: **Mar. 14, 2018**

(30) **Foreign Application Priority Data**

Sep. 15, 2017 (JP) ..... 2017-020233

(51) **LOC (12) Cl.** ..... **14-04**

(52) **U.S. Cl.**  
USPC ..... **D14/485**

(58) **Field of Classification Search**  
USPC ..... D14/485-495  
CPC ..... G06F 3/048; G06F 3/0481; G06F 3/0482;  
G06F 3/04842; G06F 3/04847; G06F  
3/0485; G06F 1/1692; G06F 2203/04806  
See application file for complete search history.

(56) **References Cited**

**U.S. PATENT DOCUMENTS**

8,303,321	BI *	11/2012	Little	.....	G06K 13/0825
					439/159
D733,747	S *	7/2015	Jeong	.....	D14/488
D737,836	S *	9/2015	Jung	.....	D14/486
D741,886	S *	10/2015	Daniel	.....	D14/485
D743,983	S *	11/2015	Seo	.....	D14/486
D754,681	S *	4/2016	Giles	.....	D14/485
D755,800	S *	5/2016	Bauducco	.....	D14/485
D766,949	S *	9/2016	Johnson	.....	D14/486
D768,660	S *	10/2016	Wielgosz	.....	D14/486
D774,536	S *	12/2016	Suo	.....	D14/486

D786,907	S *	5/2017	Alonso Ruiz	.....	D14/486
D788,160	S *	5/2017	Kim	.....	D14/489
D794,656	S *	8/2017	Sung	.....	D14/485
D794,663	S *	8/2017	Sakuma	.....	D14/486
D796,539	S *	9/2017	Sakuma	.....	D14/487
D797,765	S *	9/2017	Su	.....	D14/485
D797,804	S *	9/2017	Sakuma	.....	D14/488
D801,355	S *	10/2017	Hoang	.....	D14/486
D804,499	S *	12/2017	Eklund	.....	D14/486
D806,131	S *	12/2017	Jewitt	.....	D14/493
D820,292	S *	6/2018	Mander	.....	D14/486
D820,869	S *	6/2018	Kumar	.....	D14/486
D823,338	S *	7/2018	Alonso Ruiz	.....	D14/488
D823,340	S *	7/2018	Seo	.....	D14/491
D823,884	S *	7/2018	Stringham	.....	D14/487
D823,893	S *	7/2018	Sepulveda	.....	D14/492

(Continued)

*Primary Examiner* — Daniel J Domino

(74) *Attorney, Agent, or Firm* — Birch, Stewart, Kolasch & Birch, LLP

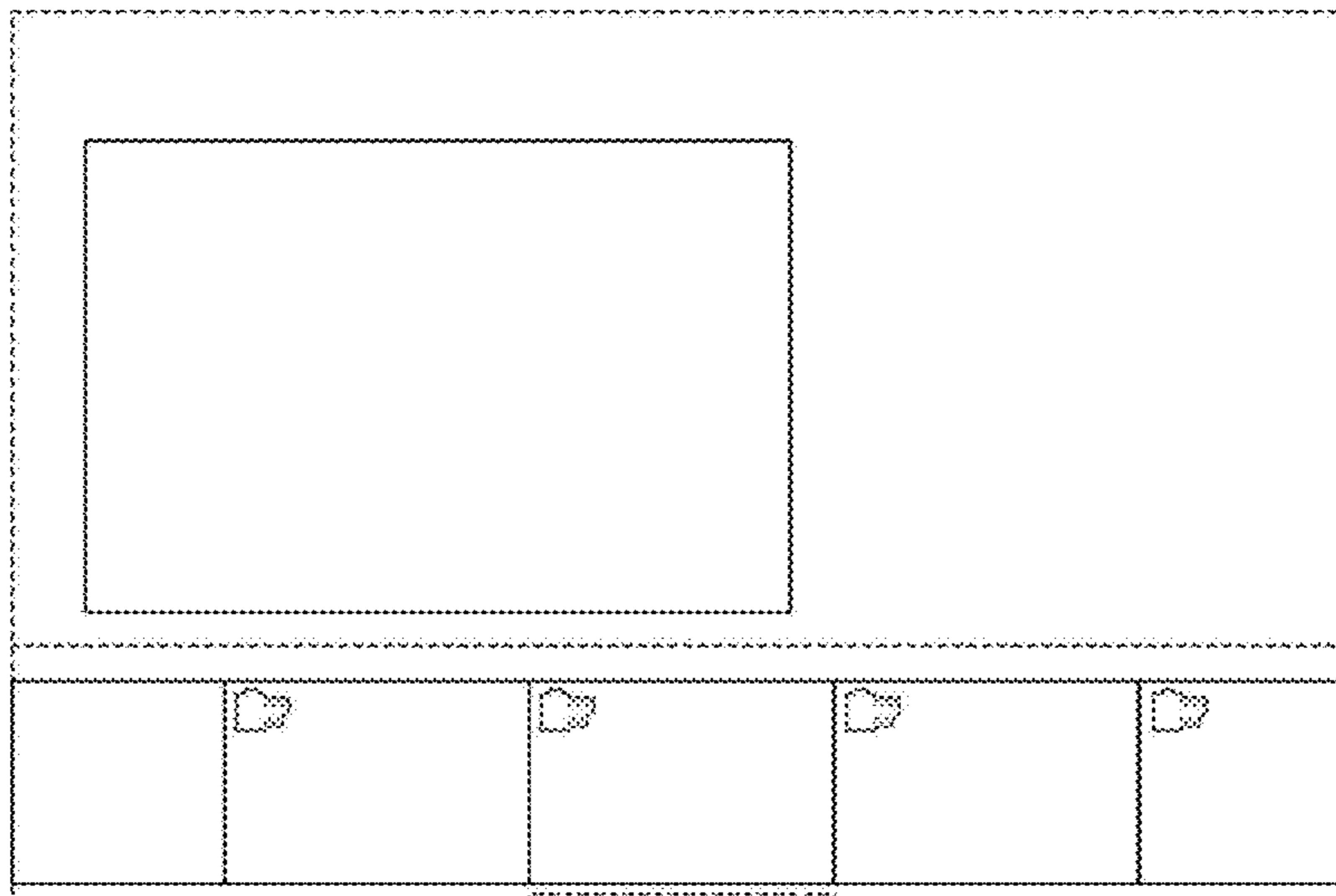
(57) **CLAIM**

The ornamental design for digital camera display screen with graphical user interface, as shown and described.

**DESCRIPTION**

FIG. 1 is a perspective view of a digital camera, showing the new design;  
FIG. 2 is a front view thereof.  
FIG. 3 is a rear view thereof.  
FIG. 4 is a top view thereof; and  
FIG. 5 is a left view thereof; and,  
FIG. 6 is an enlarged view thereof, showing the display screen separately for clarity of illustration.  
The broken lines showing the digital camera illustrate the environment of the claimed design and forms no part thereof. The broken lines within display screen in the drawings illustrate portions of the graphical user interface which form no part of the claimed design.

**1 Claim, 6 Drawing Sheets**



(56)

**References Cited**

U.S. PATENT DOCUMENTS

D824,401 S \* 7/2018 Ali ..... D14/485  
D824,406 S \* 7/2018 Cordova ..... D14/486  
D826,977 S \* 8/2018 Nakajima ..... D14/488  
D847,179 S \* 4/2019 Chevrier ..... D14/486  
D849,034 S \* 5/2019 Mokwunye ..... D14/486  
2007/0164120 A1\* 7/2007 Jow ..... G06K 19/07732  
235/492  
2010/0205373 A1\* 8/2010 He ..... G06K 19/07  
711/115  
2013/0286603 A1\* 10/2013 Okada ..... H05K 7/02  
361/746  
2017/0214423 A1\* 7/2017 Park ..... H04B 1/3818  
2018/0349752 A1\* 12/2018 Tatineni ..... G06K 19/07722

\* cited by examiner

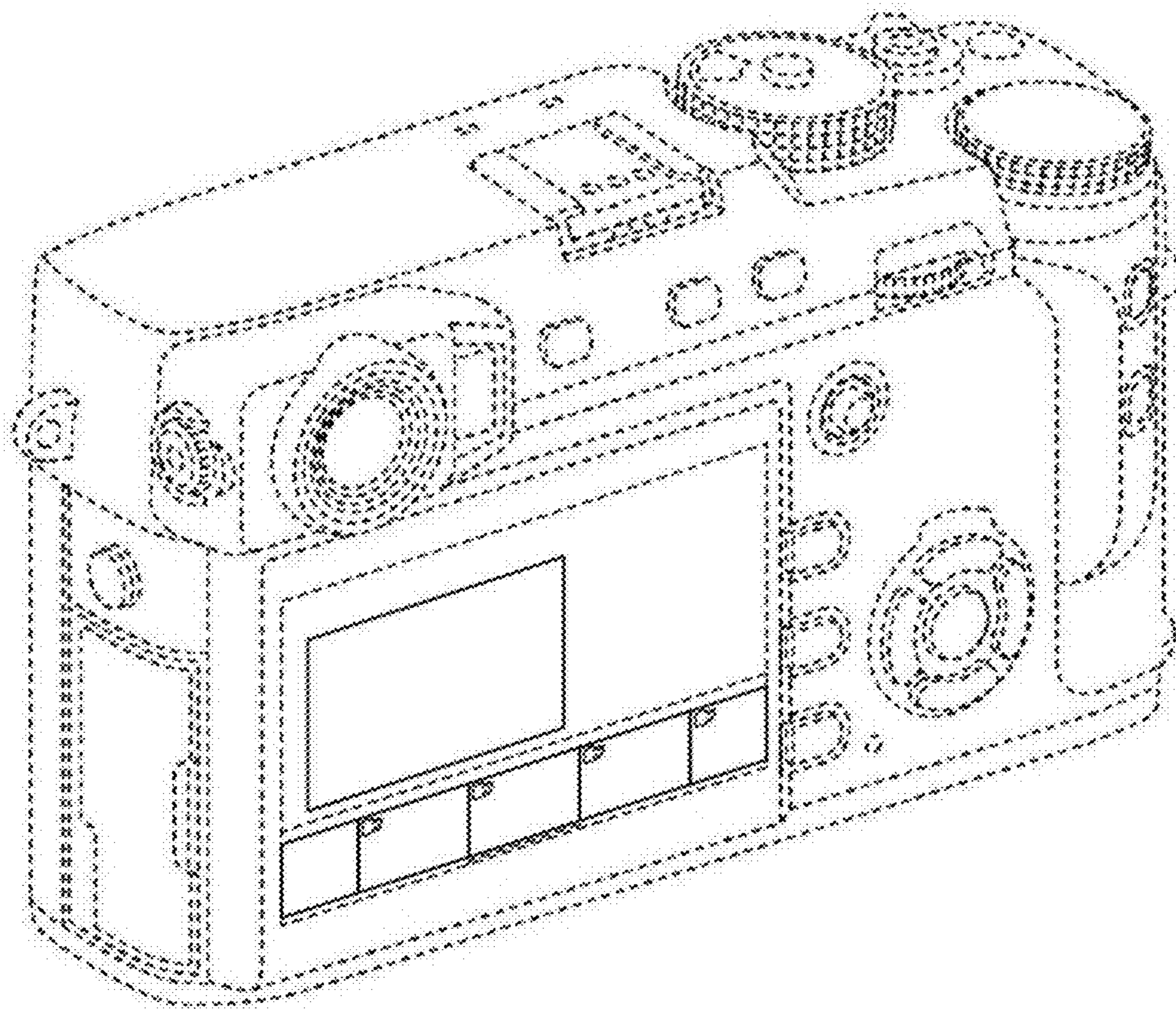


Fig. 1

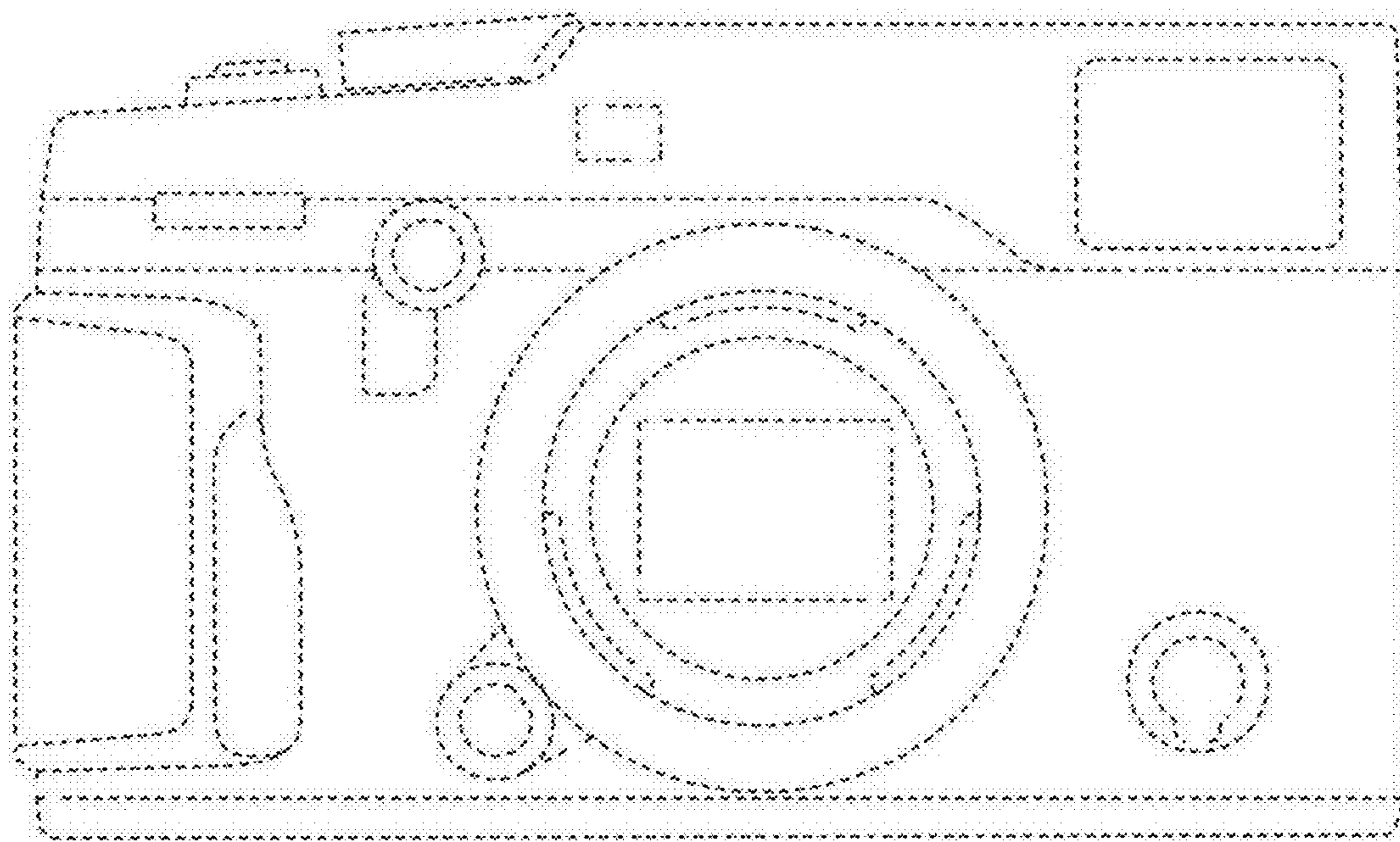


Fig. 2

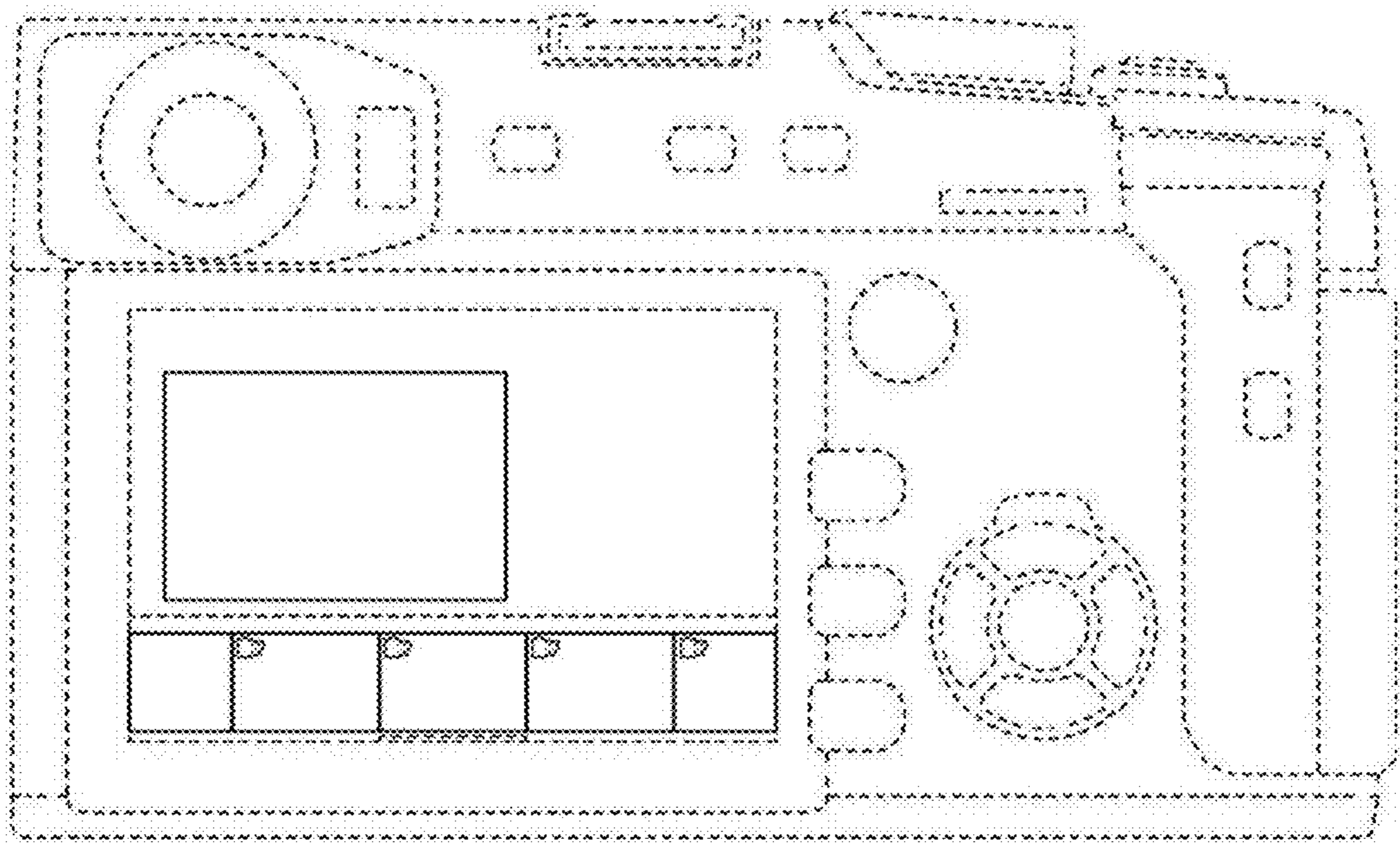


Fig. 3

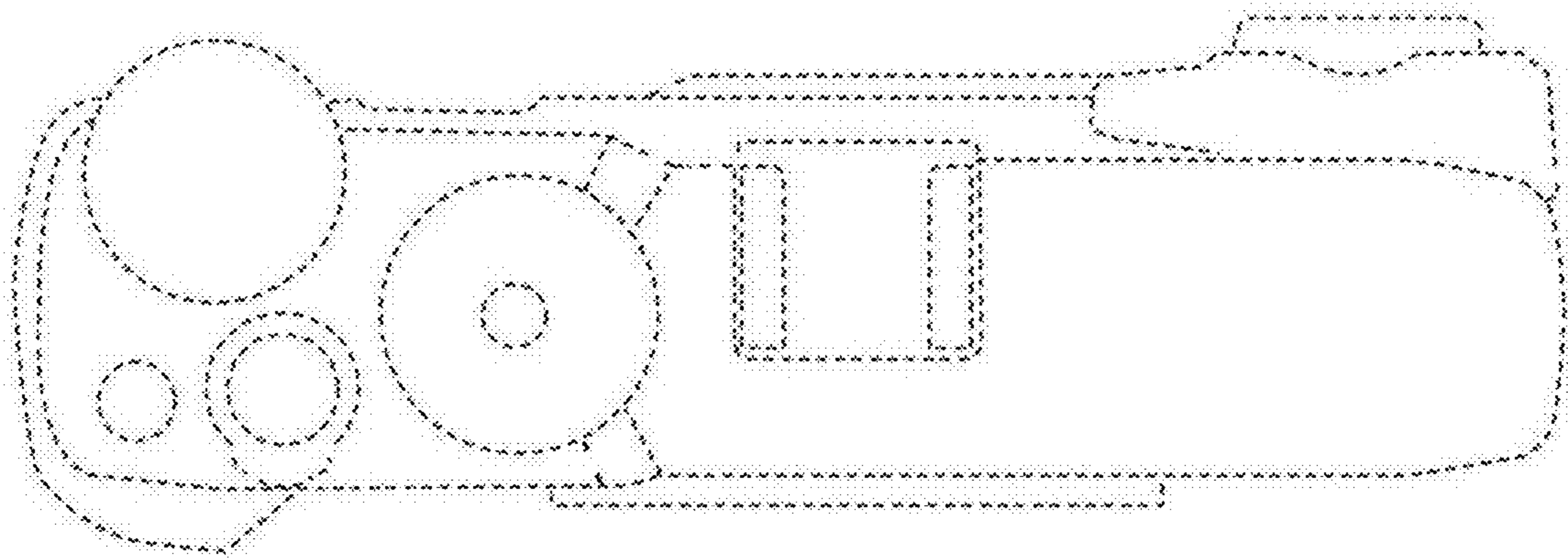


Fig. 4

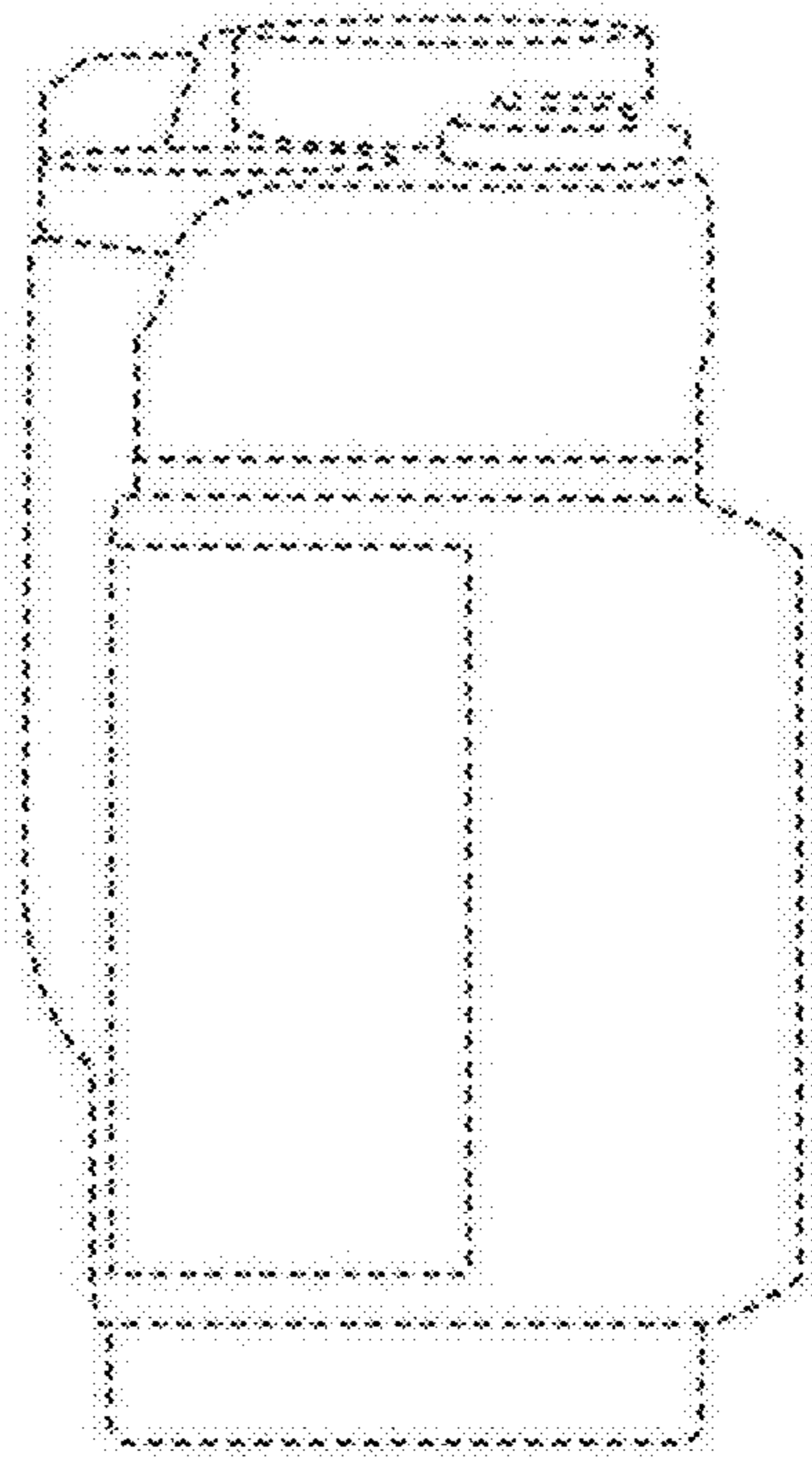


Fig. 5

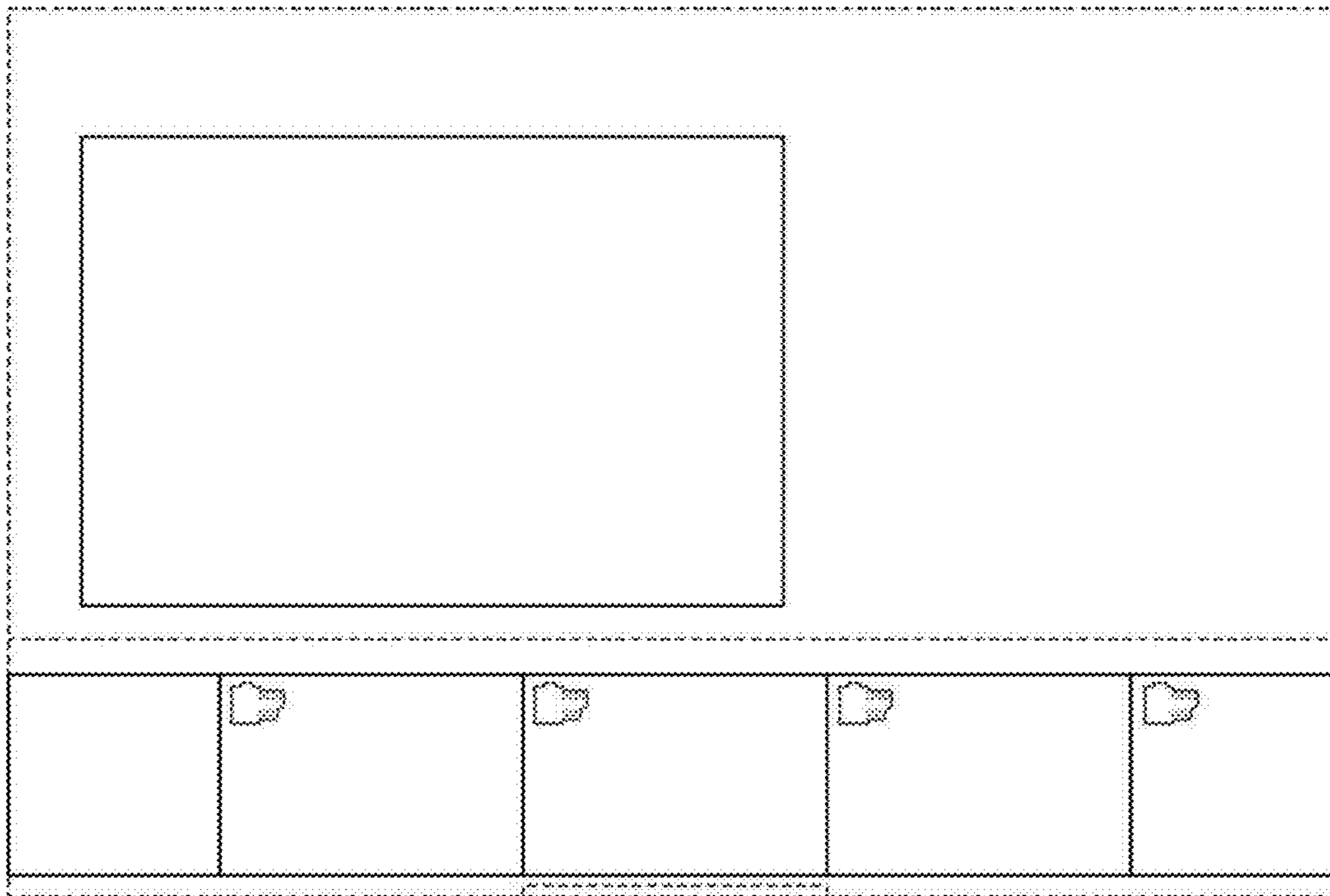


Fig. 6