



US00D872105S

(12) **United States Design Patent**
Omata

(10) **Patent No.:** **US D872,105 S**
(45) **Date of Patent:** **** Jan. 7, 2020**

(54) **DIGITAL CAMERA DISPLAY SCREEN WITH GRAPHICAL USER INTERFACE**

(71) Applicant: **FUJIFILM Corporation**, Tokyo (JP)

(72) Inventor: **Takeharu Omata**, Saitama (JP)

(73) Assignee: **FUJIFILM Corporation**, Tokyo (JP)

(**) Term: **15 Years**

(21) Appl. No.: **29/640,435**

(22) Filed: **Mar. 14, 2018**

(30) **Foreign Application Priority Data**

Sep. 15, 2017 (JP) 2017-020232

(51) **LOC (12) Cl.** **14-04**

(52) **U.S. Cl.**
USPC **D14/485**

(58) **Field of Classification Search**
USPC D14/485-495
CPC G06F 3/048; G06F 3/0481; G06F 3/0482;
G06F 3/04842; G06F 3/04847; G06F
3/0485; G06F 1/1692; G06F 2203/04806
See application file for complete search history.

(56) **References Cited**

U.S. PATENT DOCUMENTS

D593,110 S *	5/2009	Danton	D14/485
D601,164 S *	9/2009	Pell	D14/491
D625,322 S *	10/2010	Guntaur	D14/486
D625,735 S *	10/2010	Ryono	D14/491
D683,355 S *	5/2013	Ridl	D14/486
D691,160 S *	10/2013	Schupp	D14/486
D694,252 S *	11/2013	Helm	D14/485
D694,764 S *	12/2013	Talbot	D14/485
D695,307 S *	12/2013	Wu	D14/491
D704,212 S *	5/2014	Dellinger	D14/487
D708,219 S *	7/2014	Lee	D14/491

D746,864 S *	1/2016	Dellinger	D14/492
D747,325 S *	1/2016	Yoo	G06F 3/04817 D14/485
D751,575 S *	3/2016	Kim	D14/485
D754,707 S *	4/2016	Zurn	D14/486
D755,819 S *	5/2016	Gao	D14/486
D755,828 S *	5/2016	Kimura	D14/486
D755,842 S *	5/2016	Yun	D14/491
D761,317 S *	7/2016	Tursi	D14/491
D761,863 S *	7/2016	Debitsch	D14/491
D762,233 S *	7/2016	Ingenlath	D14/486
D765,122 S *	8/2016	Walters	H04L 65/403 D14/486
D770,485 S *	11/2016	Olsson	D14/486
D771,639 S *	11/2016	Dellinger	D14/485
D774,061 S *	12/2016	Wu	D14/486

(Continued)

Primary Examiner — Daniel J Domino

(74) *Attorney, Agent, or Firm* — Birch, Stewart, Kolasch & Birch, LLP

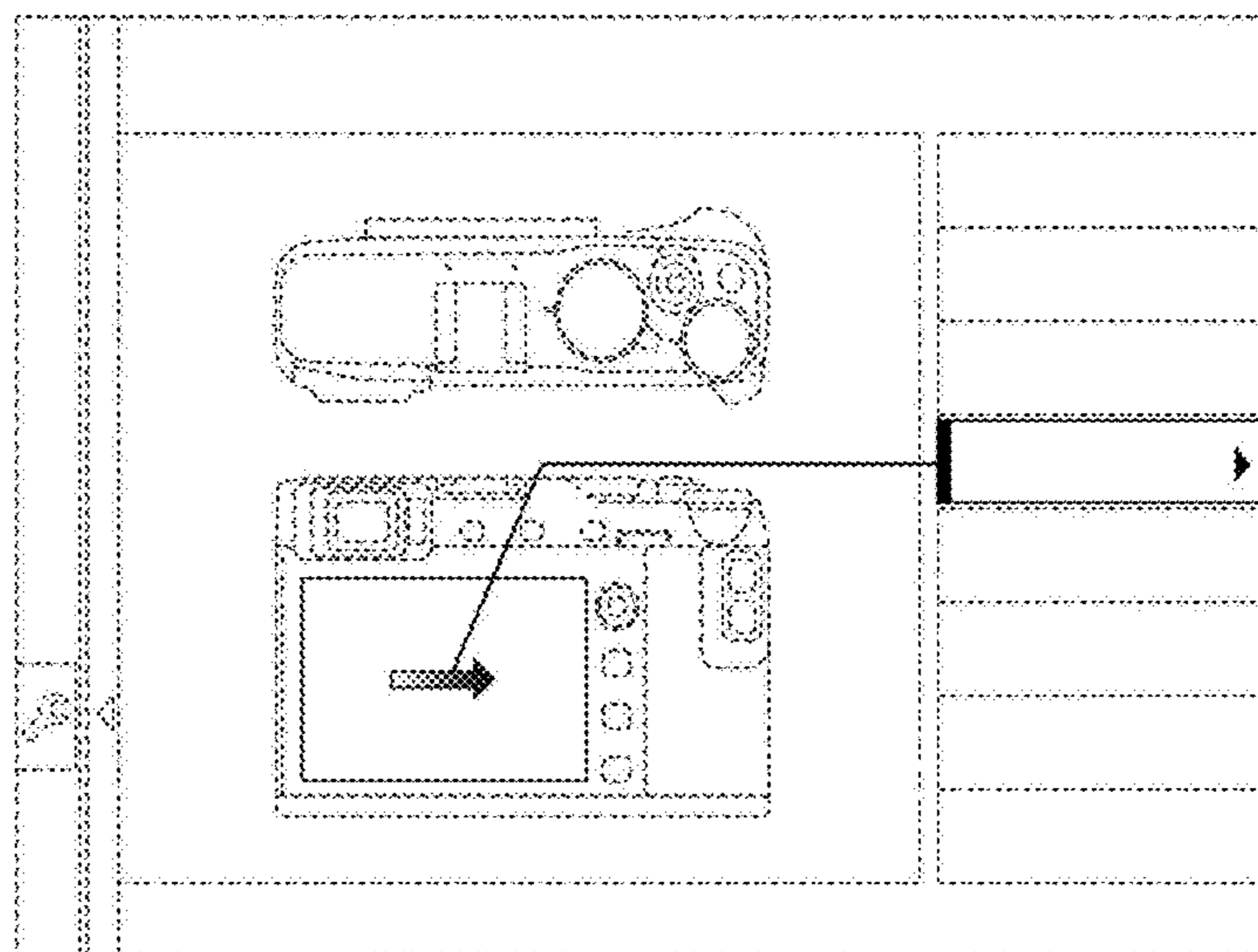
(57) **CLAIM**

The ornamental design for digital camera display screen with graphical user interface, as shown and described.

DESCRIPTION

FIG. 1 is a perspective view of a digital camera, showing the new design;
FIG. 2 is a front view thereof.
FIG. 3 is a rear view thereof.
FIG. 4 is a top view thereof; and
FIG. 5 is a left view thereof; and,
FIG. 6 is an enlarged view thereof, showing the display screen separately for clarity of illustration.
The broken lines showing the digital camera illustrate the environment of the claimed design and forms no part thereof. The broken lines within display screen in the drawings illustrate portions of the graphical user interface which form no part of the claimed design.

1 Claim, 6 Drawing Sheets



(56)

References Cited

U.S. PATENT DOCUMENTS

D781,910	S *	3/2017	Day	D14/488
D783,669	S *	4/2017	Rogers	D14/488
D791,824	S *	7/2017	Oyama	D14/491
D792,434	S *	7/2017	Dzjind	D14/486
D794,663	S *	8/2017	Sakuma	D14/486
D800,762	S *	10/2017	Aoshima	D14/487
D803,243	S *	11/2017	Sakuma	D14/486
D803,249	S *	11/2017	Masuda	D14/486
D821,429	S *	6/2018	Kumar	D14/486
D830,387	S *	10/2018	Day	D14/486
D830,388	S *	10/2018	Day	D14/486
D833,475	S *	11/2018	Sakuma	D14/488
D834,047	S *	11/2018	Yoon	D14/486
D841,663	S *	2/2019	Yuguchi	D14/485
D842,868	S *	3/2019	Seong	D14/485
D842,874	S *	3/2019	Tashiro	D14/486
2015/0339307	A1 *	11/2015	Hultgren	G06F 3/0481 707/724
2018/0073744	A1 *	3/2018	Ji	A23L 5/10
2018/0217848	A1 *	8/2018	Garai	G06F 9/451

* cited by examiner

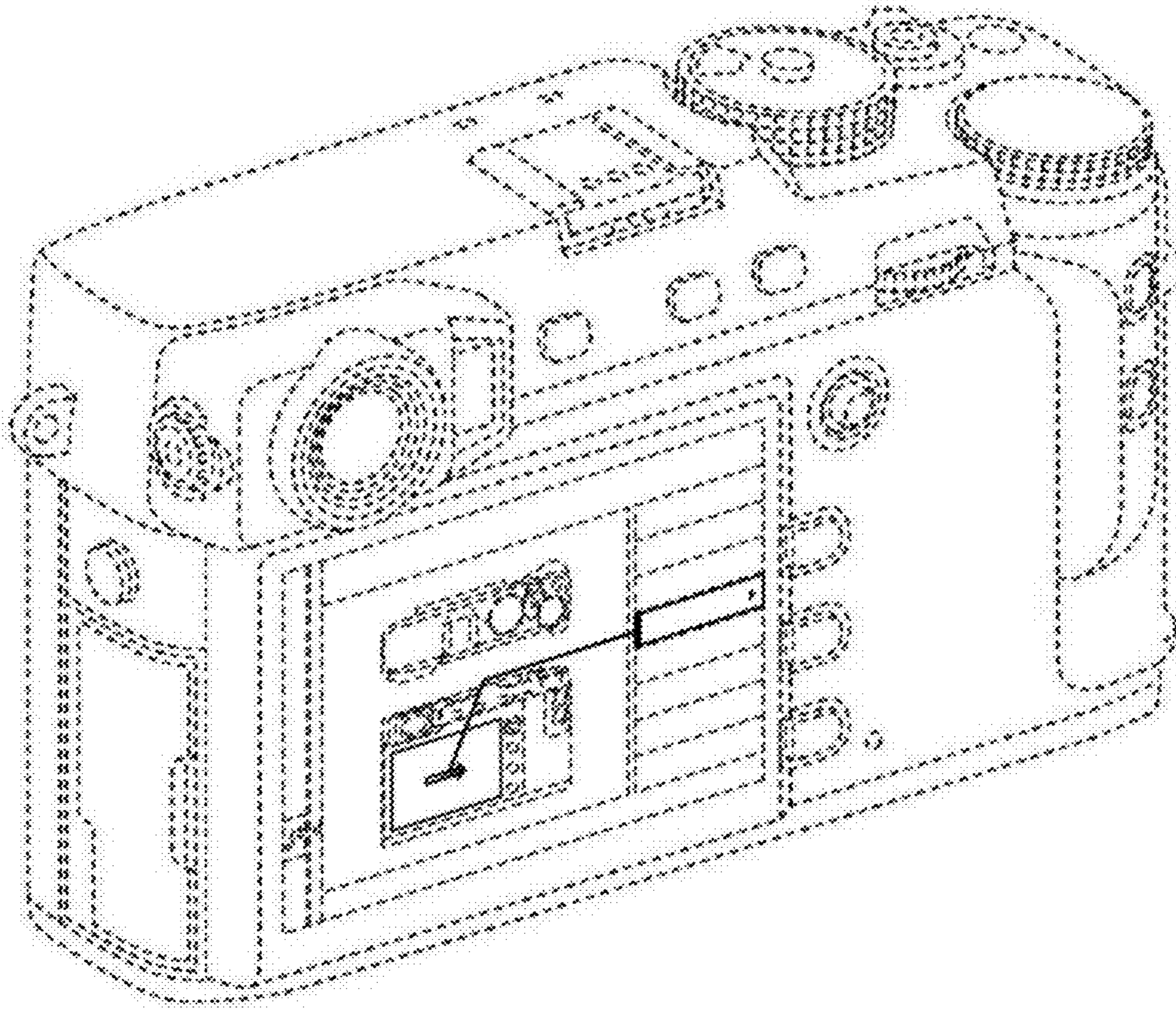


Fig. 1

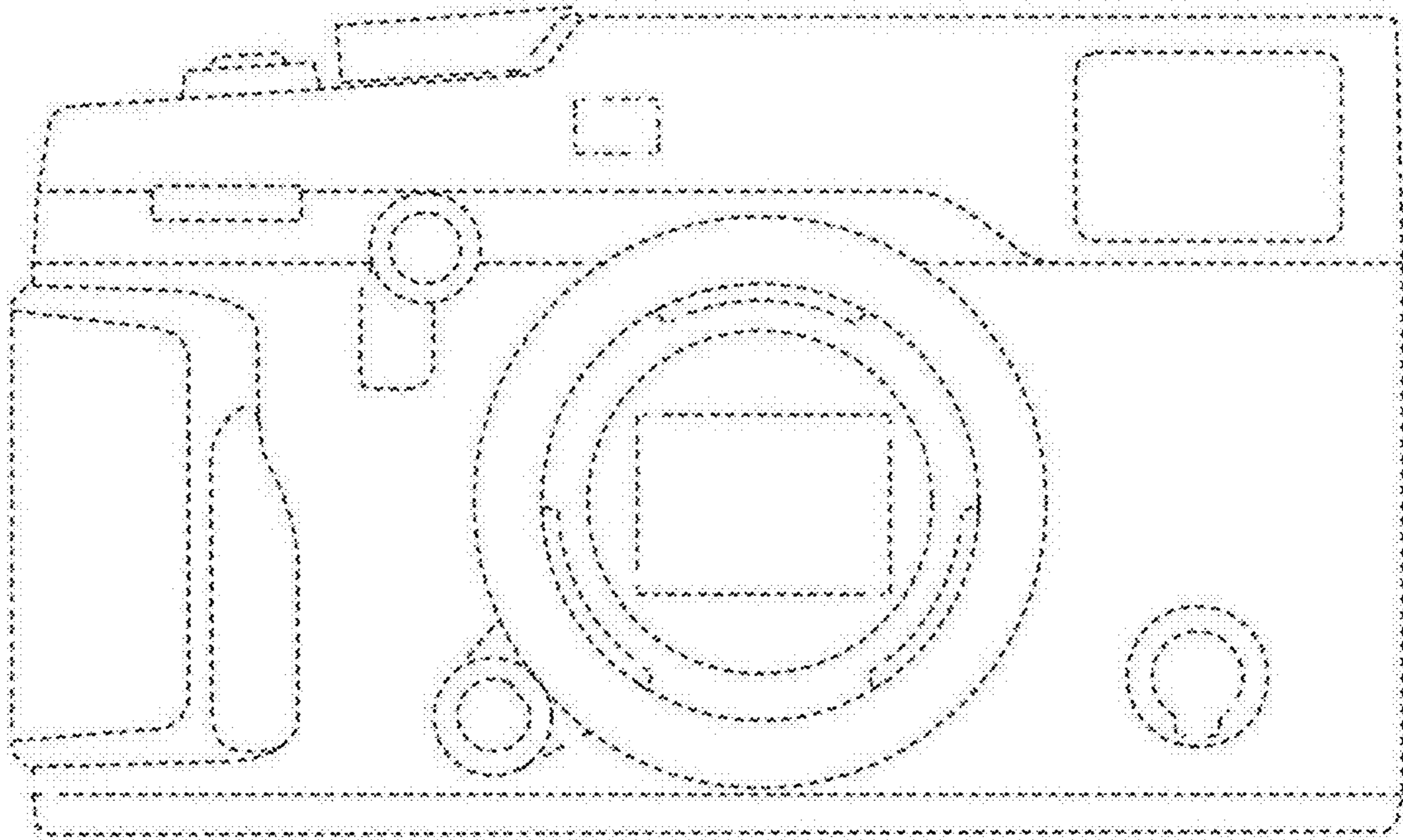


Fig. 2

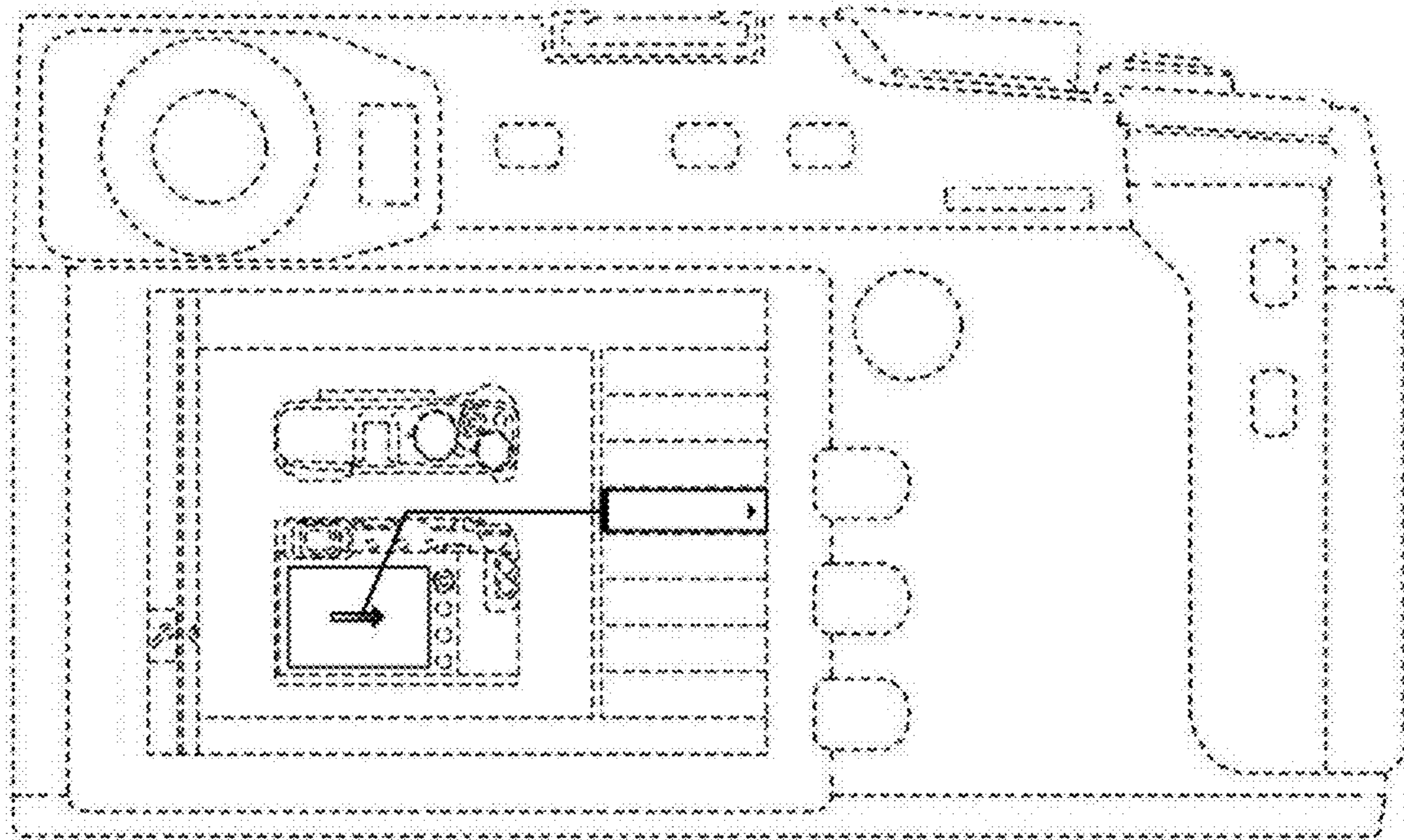


Fig. 3

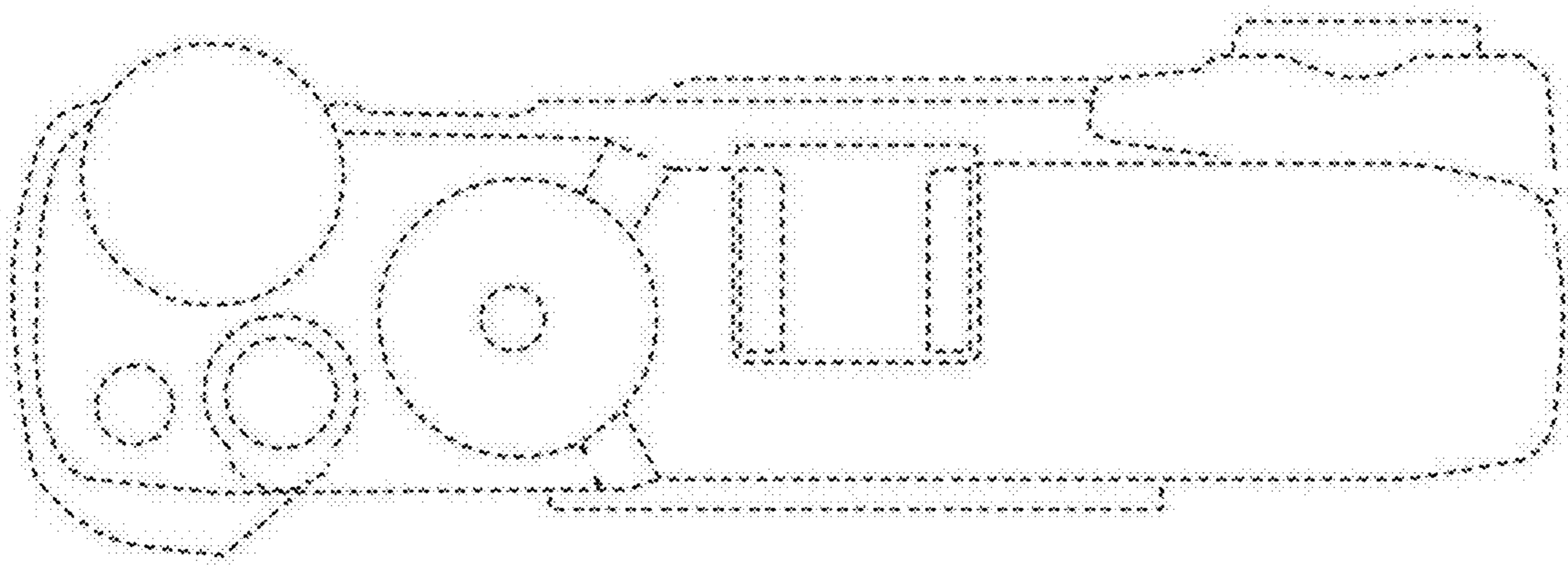


Fig. 4

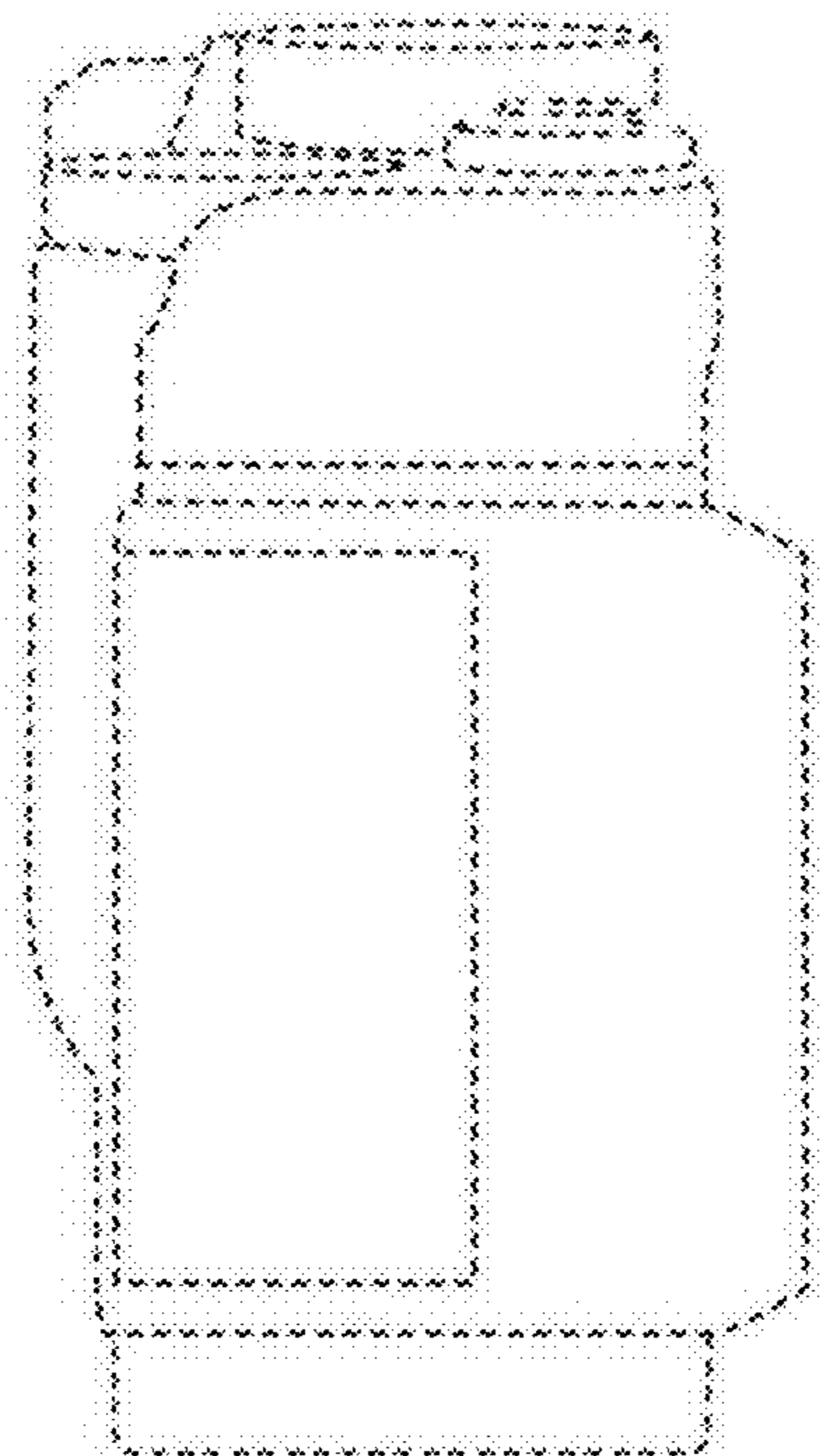


Fig. 5

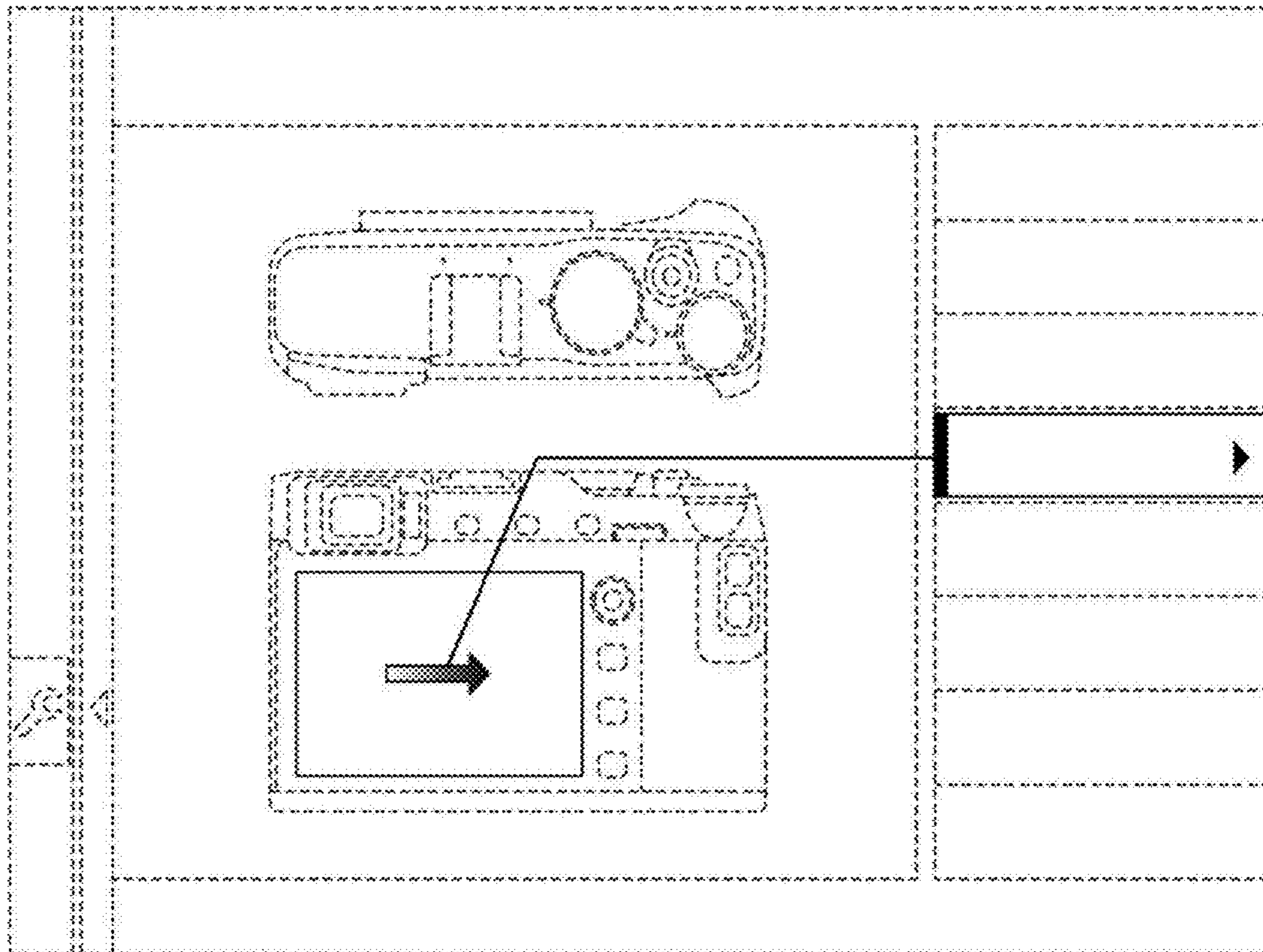


Fig. 6