



US00D872104S

(12) **United States Design Patent**
Sakuma

(10) **Patent No.:** **US D872,104 S**
(45) **Date of Patent:** **** Jan. 7, 2020**

(54) **DIGITAL CAMERA DISPLAY SCREEN WITH TRANSITIONAL GRAPHICAL USER INTERFACE**

D748,667 S * 2/2016 Morishige D14/488
D752,088 S * 3/2016 Hiramatsu D14/488
D752,607 S * 3/2016 Zhang D14/485
D754,709 S * 4/2016 Wielgosz D14/487
D755,204 S * 5/2016 Zankowski D14/485

(Continued)

(71) Applicant: **FUJIFILM Corporation**, Tokyo (JP)

(72) Inventor: **Nanae Sakuma**, Saitama (JP)

Primary Examiner — Daniel J Domino

(73) Assignee: **FUJIFILM Corporation**, Tokyo (JP)

(74) *Attorney, Agent, or Firm* — Birch, Stewart, Kolasch & Birch, LLP

(**) Term: **15 Years**

(57) **CLAIM**

(21) Appl. No.: **29/640,433**

The ornamental design for digital camera display screen with transitional graphical user interface, as shown and described.

(22) Filed: **Mar. 14, 2018**

DESCRIPTION

(30) **Foreign Application Priority Data**

Sep. 15, 2017 (JP) 2017-020235

(51) **LOC (12) Cl.** **14-04**

(52) **U.S. Cl.**
USPC **D14/485**

(58) **Field of Classification Search**
USPC D14/485–495
CPC G06F 3/048; G06F 3/0481; G06F 3/0482; G06F 3/04842; G06F 3/04847; G06F 3/0485; G06F 1/1692; G06F 2203/04806
See application file for complete search history.

FIG. 1 is a perspective view of a digital camera, showing the new design;
FIG. 2 is a front view thereof;
FIG. 3 is a rear view thereof;
FIG. 4 is a top view thereof;
FIG. 5 is a left view thereof;
FIG. 6 is an enlarged view of the display portion, showing a first image of the display screen, shown separately for clarity;
FIG. 7 is an enlarged view of the display portion, showing a second image of the display screen, shown separately for clarity;
FIG. 8 is an enlarged view of the display portion, showing a third image of the display screen, shown separately for clarity; and,
FIG. 9 is an enlarged view of the display portion, showing a fourth image of the display screen, shown separately for clarity.

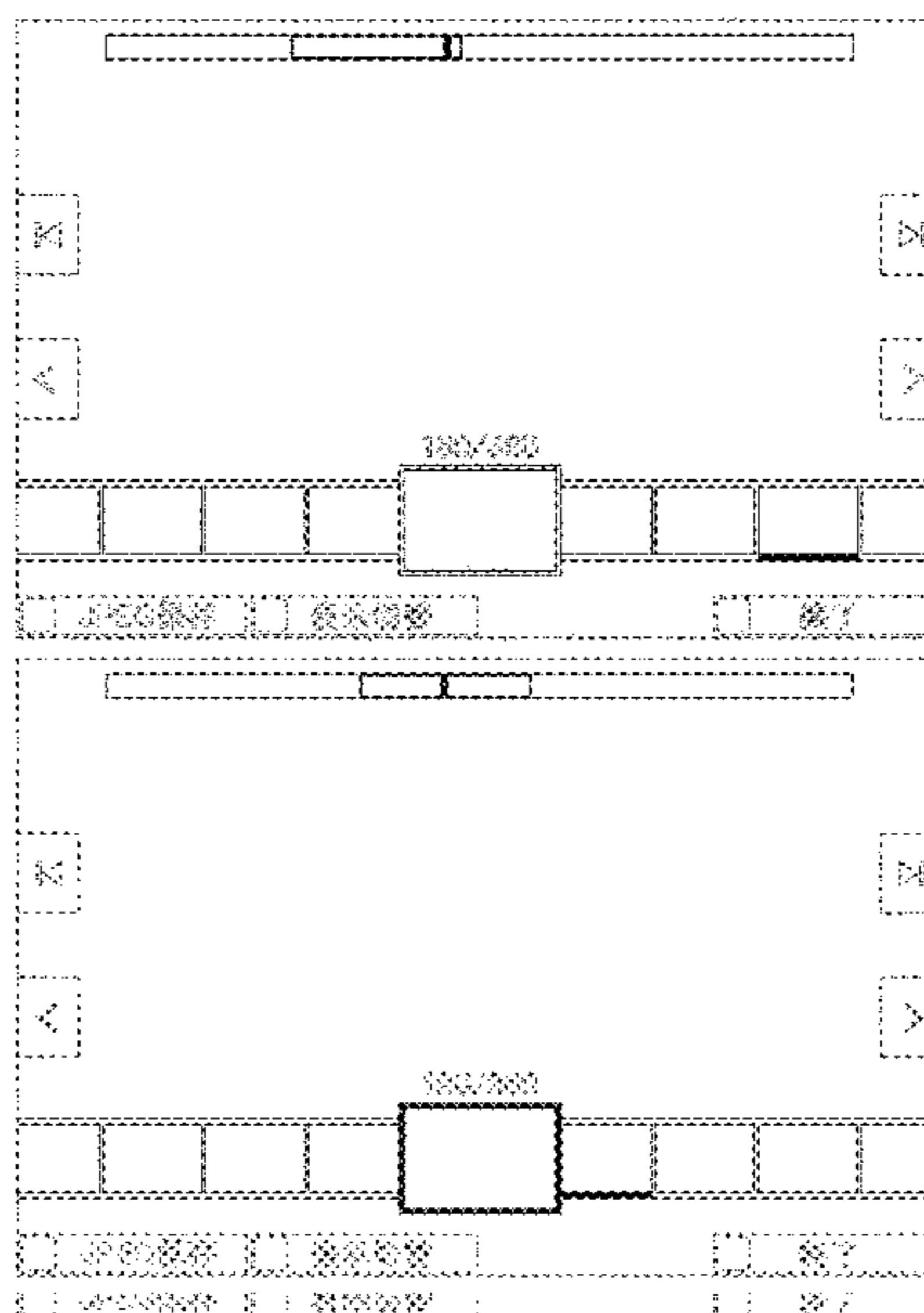
(56) **References Cited**

U.S. PATENT DOCUMENTS

D575,793 S * 8/2008 Ording D14/486
D593,116 S * 5/2009 Garcia D14/487
D685,817 S * 7/2013 Kunieda D14/487
D692,444 S * 10/2013 Lee D14/486
D722,069 S * 2/2015 Lee D14/485
D735,741 S * 8/2015 Kim D14/486
D740,841 S * 10/2015 Yampolskaya D14/486
D745,022 S * 12/2015 McCleary D14/486
D745,549 S * 12/2015 Lim D14/487
D748,124 S * 1/2016 Jeon D14/486
D748,129 S * 1/2016 Steplyk D14/486

The broken lines showing the digital camera illustrate the environment of the claimed design and forms no part thereof. The broken lines within the display screen in the drawings illustrate portions of the graphical user interface which form no part of the claimed design.

1 Claim, 9 Drawing Sheets



(56)

References Cited

U.S. PATENT DOCUMENTS

D755,800 S *	5/2016	Bauducco	D14/485	D796,539 S *	9/2017	Sakuma	D14/487
D755,805 S *	5/2016	Zankowski	D14/485	D800,762 S *	10/2017	Aoshima	D14/487
D755,806 S *	5/2016	Zankowski	D14/485	D801,984 S *	11/2017	Sugawara	D14/485
D757,067 S *	5/2016	Kim	D14/486	D804,495 S *	12/2017	Kim	D14/485
D760,767 S *	7/2016	Park	D14/488	D804,519 S *	12/2017	Kim	D14/488
D762,711 S *	8/2016	Zhang	D14/488	D805,100 S *	12/2017	Kim	D14/488
D763,879 S *	8/2016	Worrell	D14/486	D808,975 S *	1/2018	Park	D14/485
D765,717 S *	9/2016	Cho	D14/487	D813,263 S *	3/2018	Hwang	D14/486
D768,661 S *	10/2016	McRae	D14/486	D813,885 S *	3/2018	Soh	D14/485
D771,688 S *	11/2016	Sugawara	D14/488	D815,126 S *	4/2018	Iketsuki	D14/486
D772,253 S *	11/2016	Sugawara	D14/486	D815,130 S *	4/2018	Phillips	D14/486
D773,495 S *	12/2016	McRae	D14/486	D823,883 S *	7/2018	Stringham	D14/487
D774,515 S *	12/2016	Kim	D14/485	D829,759 S *	10/2018	Clapper	D14/486
D789,946 S *	6/2017	Sun	D14/485	D830,378 S *	10/2018	Li	D14/485
D792,420 S *	7/2017	van den Berg	D14/485	D830,390 S *	10/2018	Xie	D14/486
D794,663 S *	8/2017	Sakuma	D14/486	D830,395 S *	10/2018	Phillips	D14/486
D795,272 S *	8/2017	Laing	D14/485	D833,480 S *	11/2018	Kim	D14/489
				D837,230 S *	1/2019	Johnston	D14/485
				D846,586 S *	4/2019	Kim	D14/487
				D847,177 S *	4/2019	Ma	D14/486

* cited by examiner

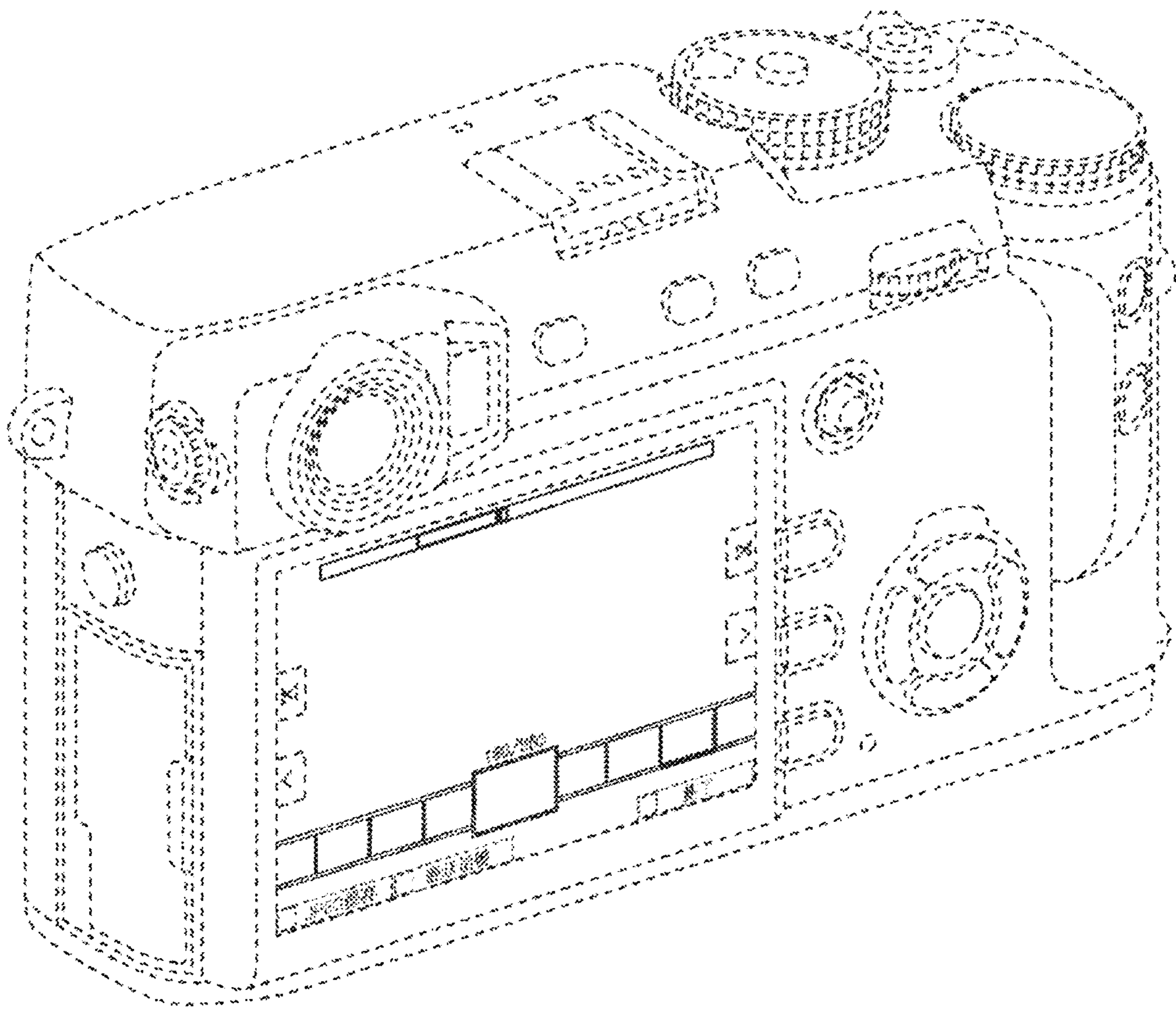


Fig. 1

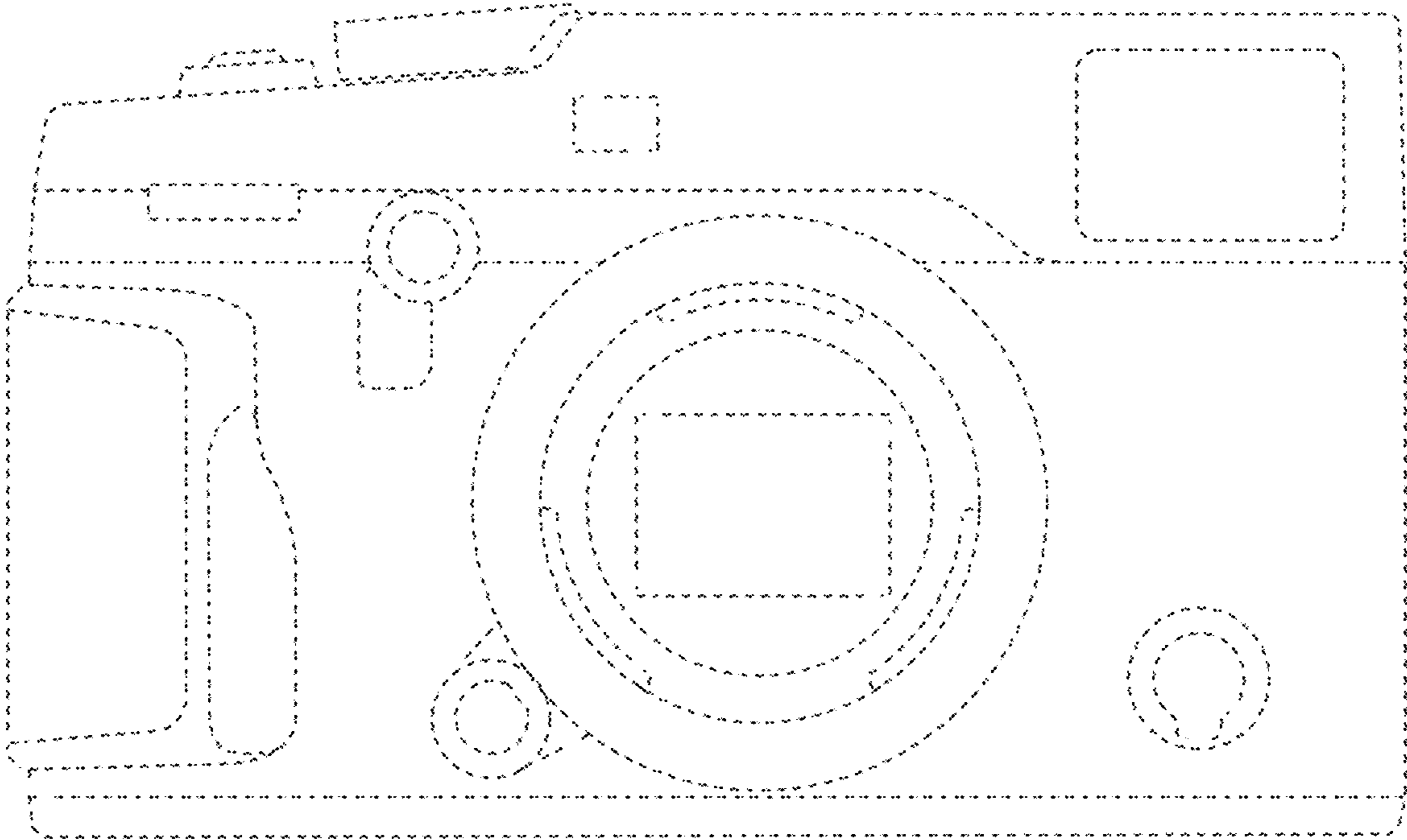


Fig. 2

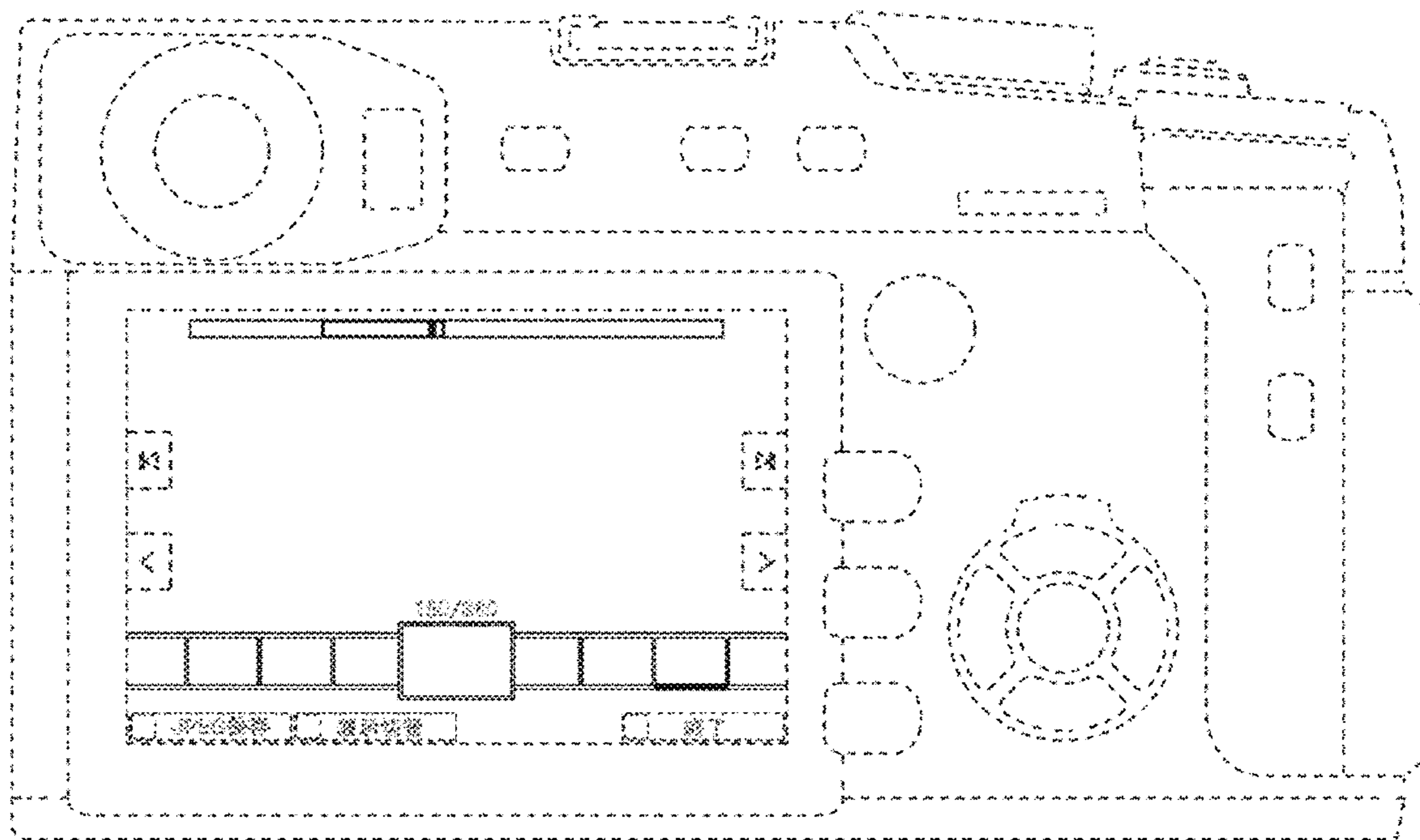


Fig. 3

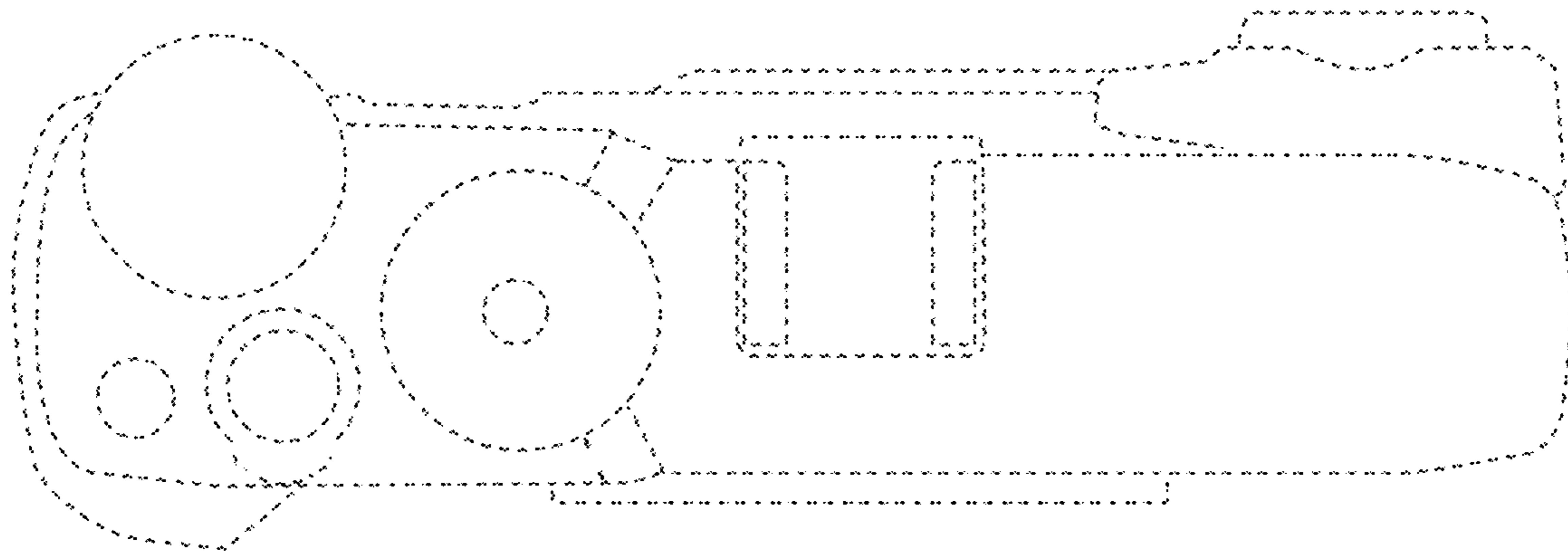


Fig. 4

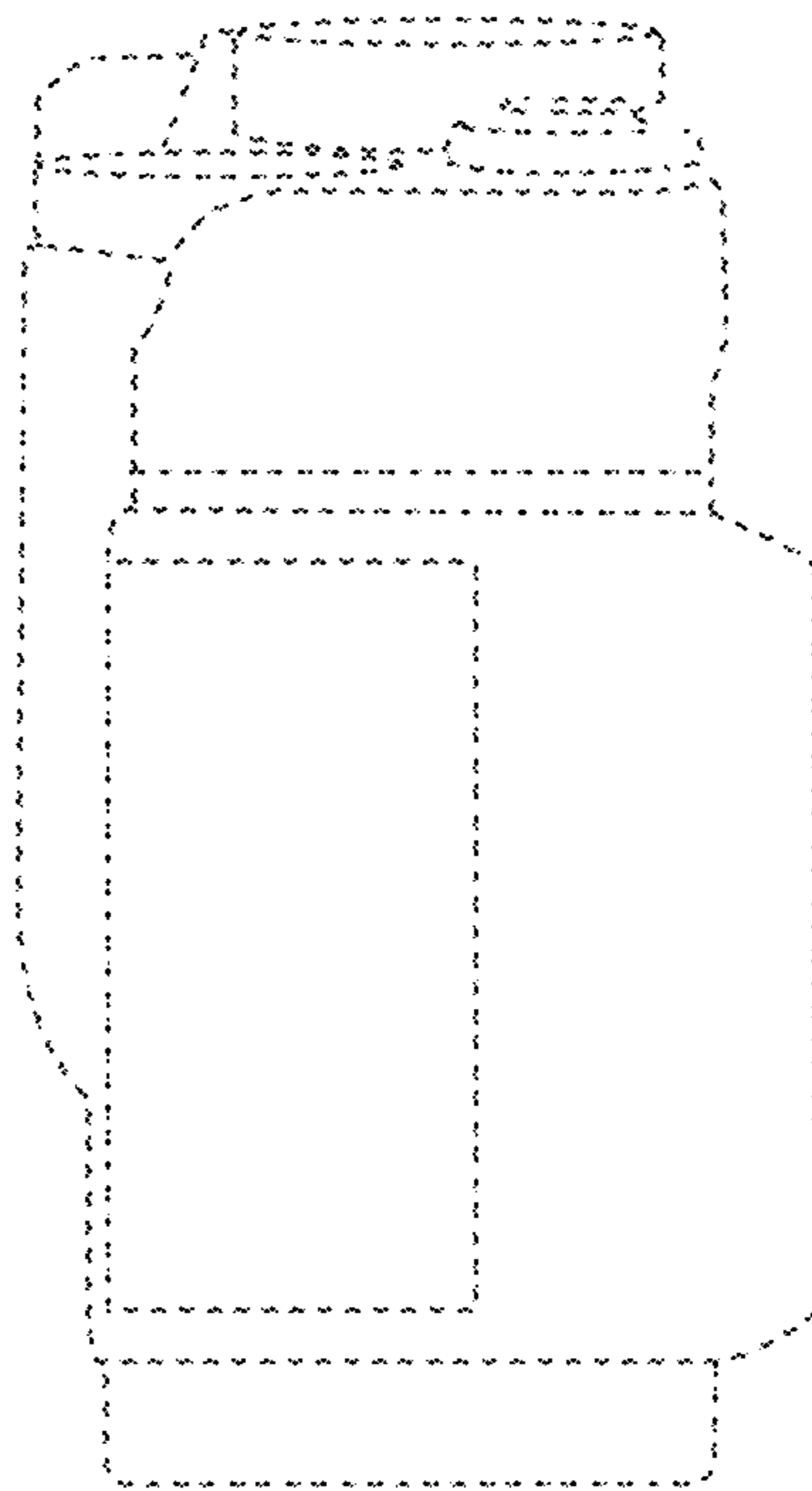


Fig. 5

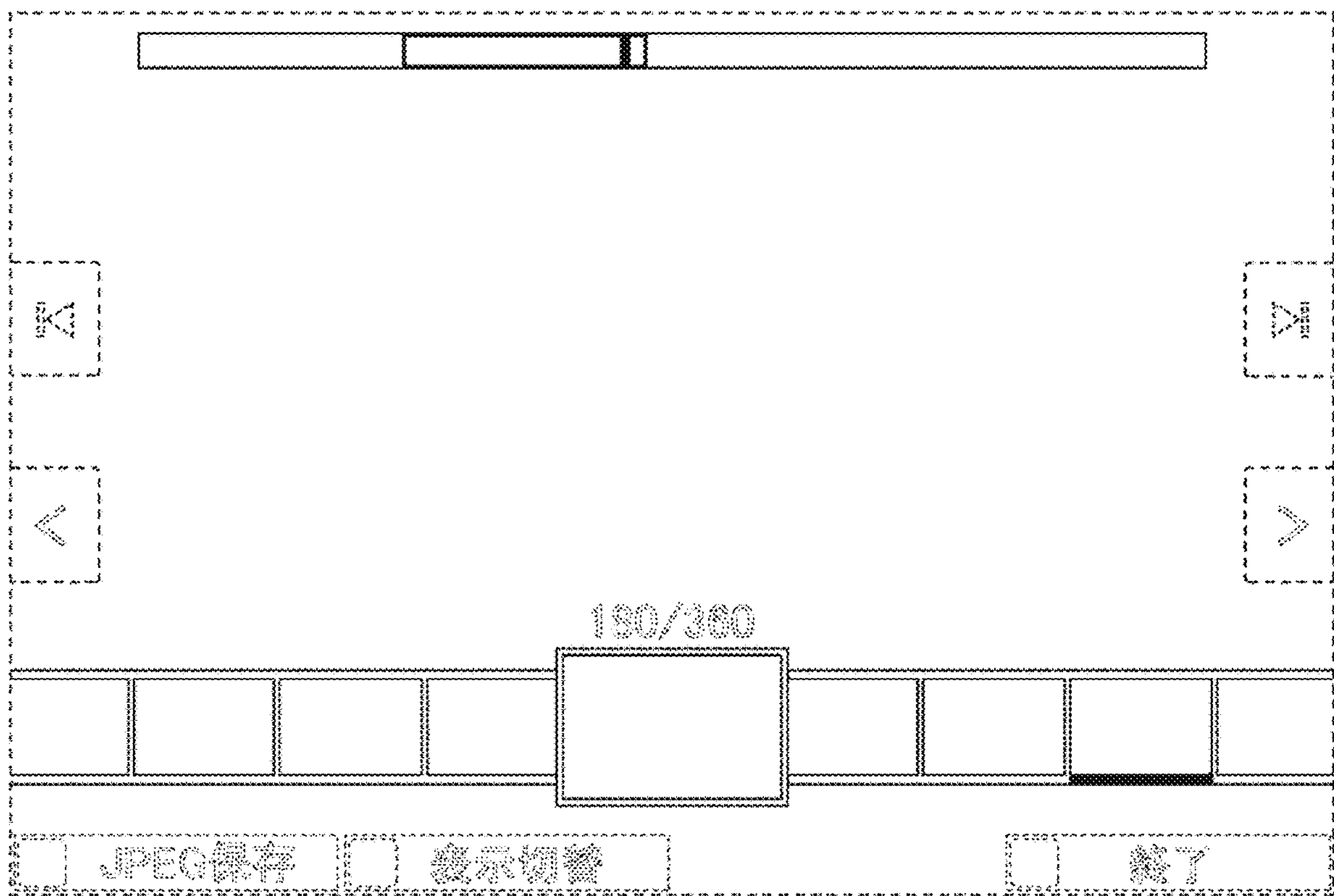


Fig. 6

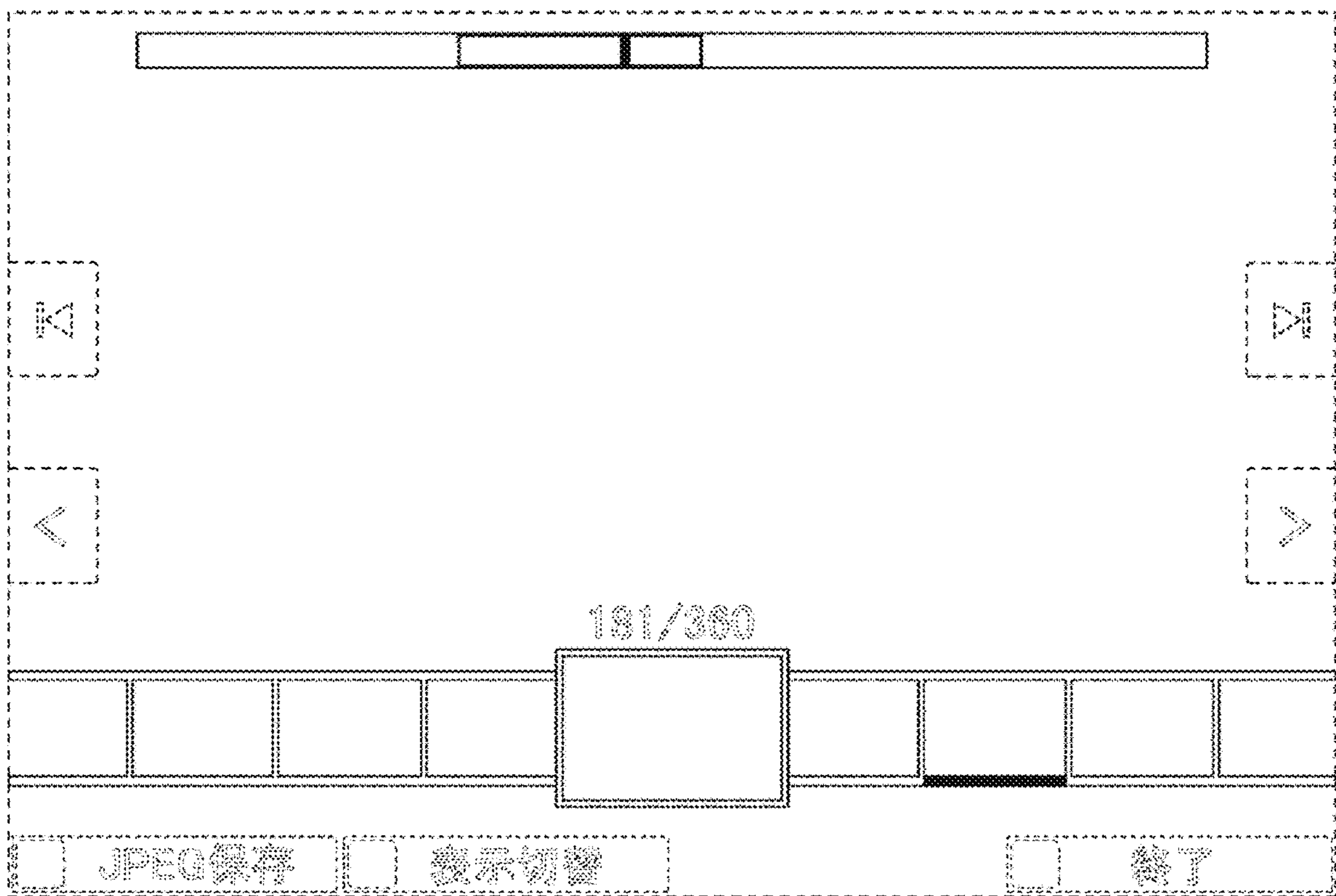


Fig. 7

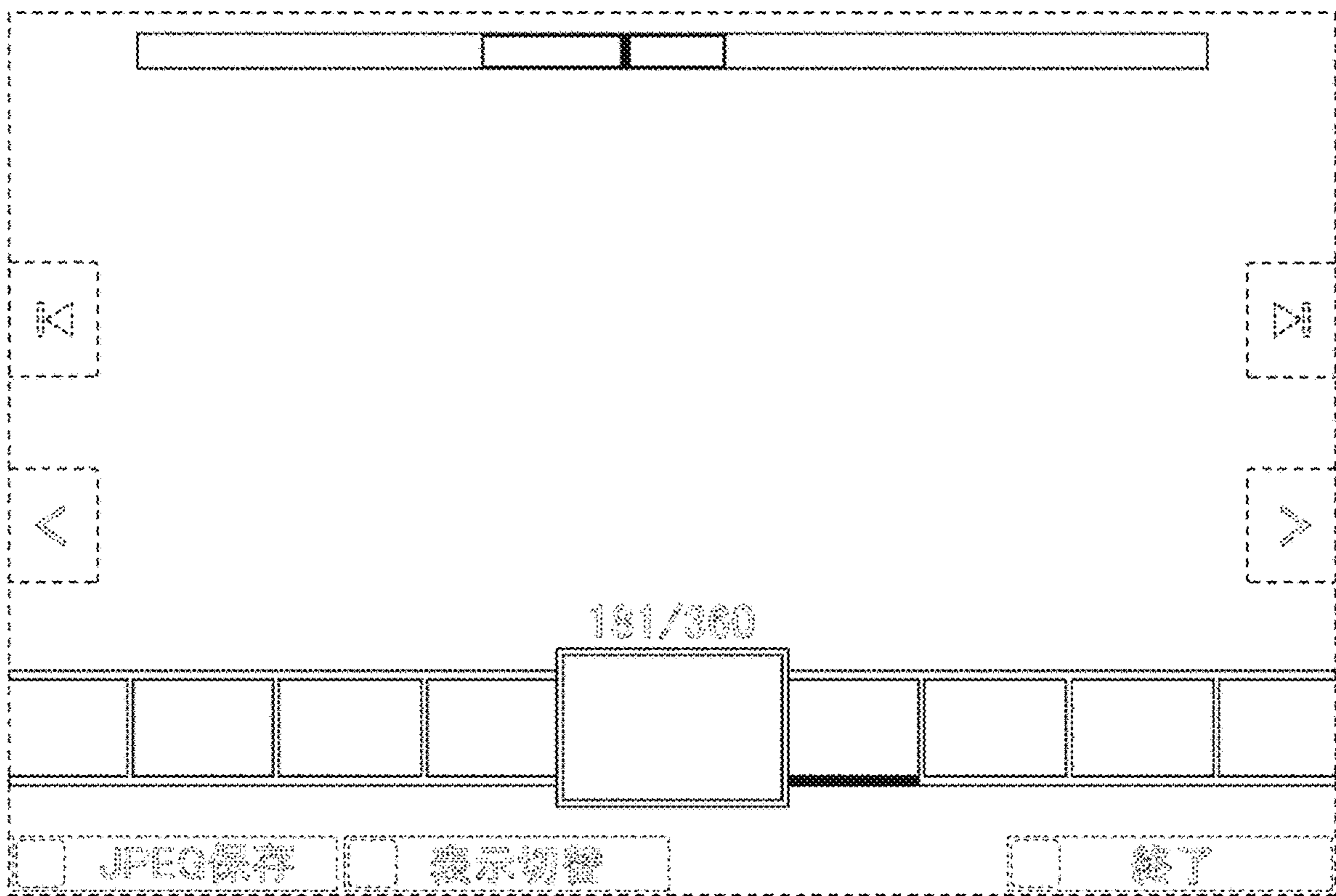


Fig. 8

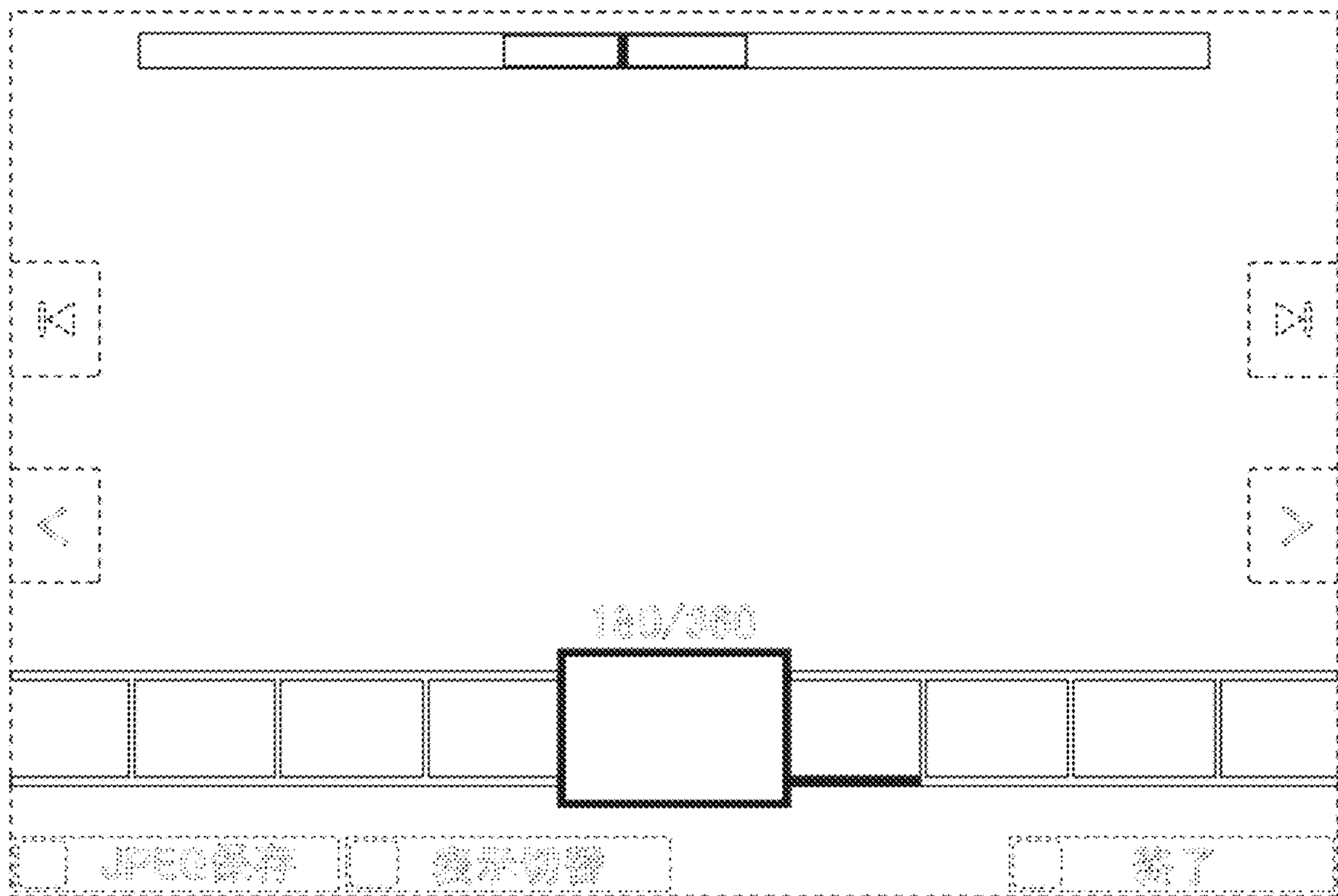


Fig. 9