



US00D872098S

(12) **United States Design Patent**  
**Chaudhri et al.**

(10) **Patent No.:** **US D872,098 S**  
(45) **Date of Patent:** **\*\* Jan. 7, 2020**

(54) **DISPLAY SCREEN OR PORTION THEREOF WITH GRAPHICAL USER INTERFACE**

D593,576 S 6/2009 Ball et al.  
D613,300 S \* 4/2010 Chaudhri ..... D14/488  
7,694,231 B2 \* 4/2010 Kocienda ..... G06F 3/04883  
341/20  
D625,323 S 10/2010 Matsushima et al.  
7,812,826 B2 \* 10/2010 Ording ..... G06F 3/04845  
345/156

(71) Applicant: **Apple Inc.**, Cupertino, CA (US)

(72) Inventors: **Imran Chaudhri**, San Francisco, CA (US); **Jonathan P. Ive**, San Francisco, CA (US)

(Continued)

(73) Assignee: **Apple Inc.**, Cupertino, CA (US)

(\*\*) Term: **15 Years**

(21) Appl. No.: **29/584,961**

(22) Filed: **Nov. 18, 2016**

**Related U.S. Application Data**

(63) Continuation of application No. 29/476,967, filed on Dec. 18, 2013, now Pat. No. Des. 772,278.

(51) **LOC (12) Cl.** ..... **14-04**

(52) **U.S. Cl.**  
USPC ..... **D14/485**

(58) **Field of Classification Search**  
USPC ..... D14/485-495  
CPC ..... G06F 3/048; G06F 3/0481; G06F 3/0482;  
G06F 3/04842; G06F 3/04847; G06F  
3/0485; G06F 1/1692; G06F 2203/04806  
See application file for complete search history.

(56) **References Cited**

**U.S. PATENT DOCUMENTS**

6,061,062 A 5/2000 Venolia  
D437,858 S 2/2001 Yasui et al.  
6,678,891 B1 1/2004 Wilcox et al.  
D500,765 S 1/2005 Wasko  
D506,474 S 6/2005 Gildred  
D559,857 S 1/2008 Van Oongen  
D571,820 S 6/2008 Scott et al.  
7,383,510 B2 6/2008 Pry  
D573,601 S 7/2008 Gregov et al.  
7,437,005 B2 10/2008 Drucker et al.

**OTHER PUBLICATIONS**

The Ultimate Music App Guide, posted at idownloadblog.com by Jeff Benjamin, posted Mar. 22, 2014, © 2016 iDownloadBiog, [site visited Feb. 29, 2016]. Available from internet: <<http://www.idownloadblog.com/2014/03/22/ios-7-the-ultimate-music-app-guide/>>.

(Continued)

*Primary Examiner* — Daniel J Domino

(74) *Attorney, Agent, or Firm* — Sterne, Kessler, Goldstein & Fox P.L.L.C.

(57) **CLAIM**

The ornamental design for a display screen or portion thereof with graphical user interface, as shown and described.

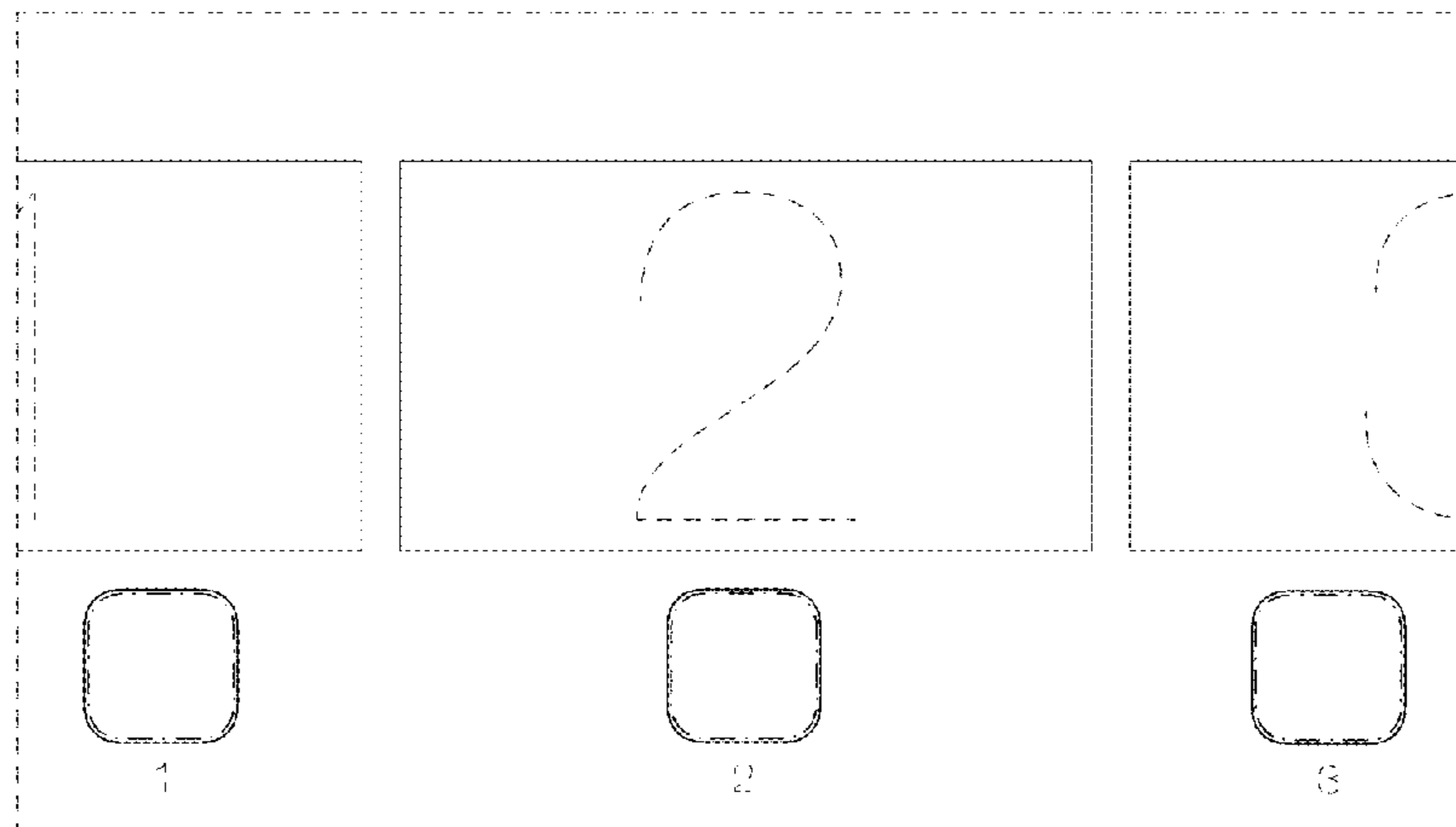
**DESCRIPTION**

FIG. 1 is a front view of a display screen or portion thereof with graphical user interface showing the claimed design; and,

FIG. 2 is another embodiment thereof.

The outermost dashed broken lines in the figures show a display screen or portion thereof, and form no part of the claimed design. The other dashed broken lines in the figures show portions of the graphical user interface that form no part of the claimed design. The dot-dash broken lines in the figures and the areas within the dot-dash lines show portions of the graphical user interface that form no part of the claimed design.

**1 Claim, 2 Drawing Sheets**



(56)

References Cited

U.S. PATENT DOCUMENTS

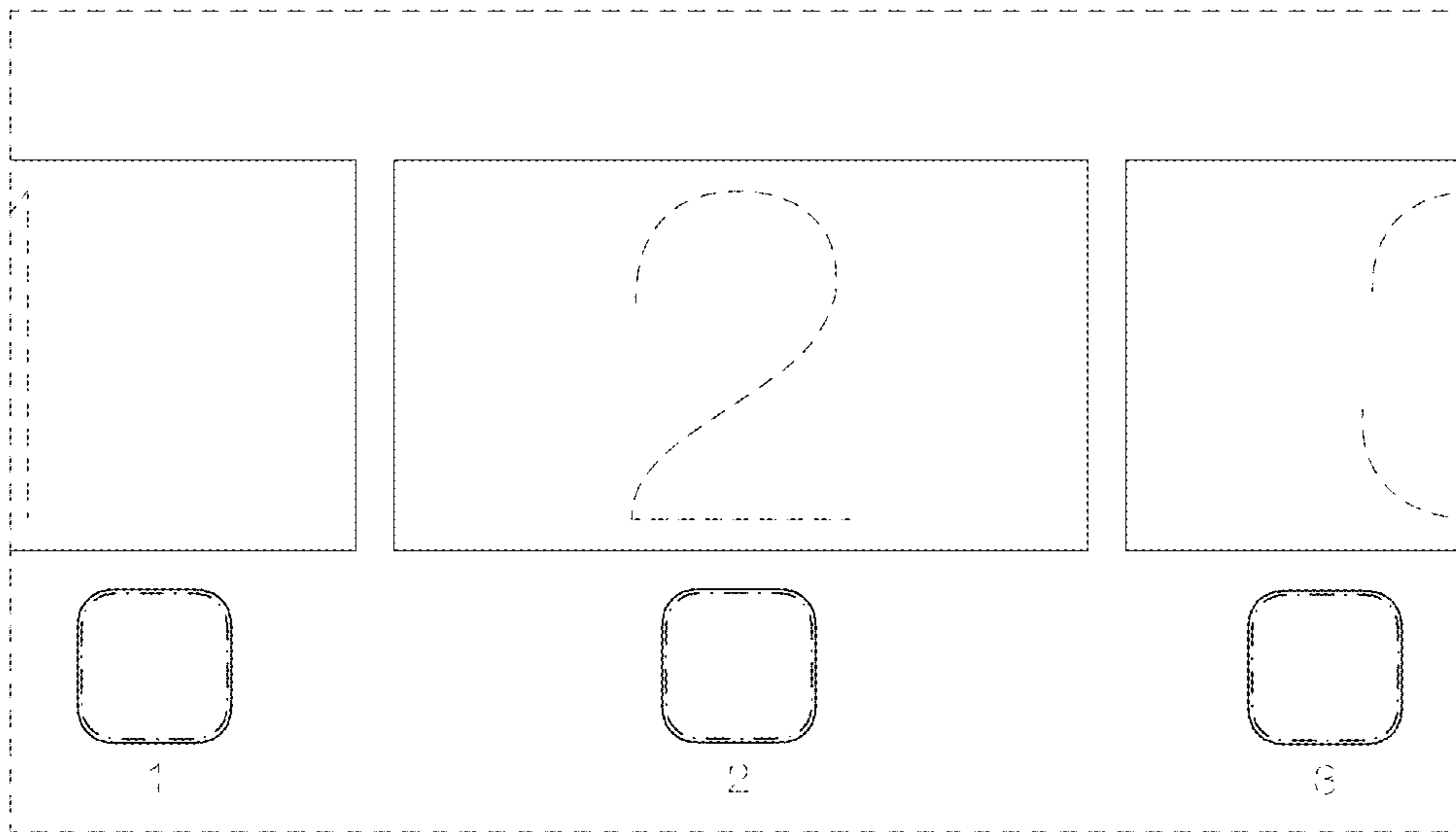
D627,790 S \* 11/2010 Chaudhri ..... D14/486  
 D633,918 S 3/2011 Vance et al.  
 D637,604 S 5/2011 Brinda  
 D637,606 S 5/2011 Luke et al.  
 D650,791 S 12/2011 Weir et al.  
 D651,608 S 1/2012 Allen et al.  
 8,112,718 B2 2/2012 Nezu et al.  
 D656,508 S \* 3/2012 Makhlouf ..... D14/486  
 D656,511 S \* 3/2012 Hally ..... D14/486  
 D658,670 S \* 5/2012 Ray ..... D14/486  
 D660,864 S \* 5/2012 Anzures ..... D14/486  
 D661,702 S 6/2012 Asai et al.  
 D662,942 S 7/2012 Trabona et al.  
 D664,560 S \* 7/2012 Gilmore ..... D14/488  
 D664,561 S 7/2012 Gleasman et al.  
 D665,414 S 8/2012 Lee et al.  
 D666,626 S \* 9/2012 Mori ..... D14/486  
 D667,020 S \* 9/2012 MacKenzie ..... D14/486  
 D668,666 S \* 10/2012 Anzures ..... D14/486  
 D670,308 S \* 11/2012 Vance ..... D14/486  
 D670,724 S \* 11/2012 Mori ..... D14/486  
 D670,725 S \* 11/2012 Mori ..... D14/486  
 D671,557 S 11/2012 Peters et al.  
 D672,363 S \* 12/2012 Reyna ..... D14/486  
 D682,842 S 5/2013 Kurata et al.  
 D699,743 S 2/2014 Arnold et al.  
 D702,698 S \* 4/2014 d'Amore ..... D14/485  
 D703,222 S \* 4/2014 Myung ..... D14/486  
 D703,695 S 4/2014 Anzures et al.  
 D714,822 S 10/2014 Capua et al.  
 D716,825 S \* 11/2014 Bachman ..... D14/486  
 D730,919 S \* 6/2015 Jeong ..... D14/485  
 D732,570 S 6/2015 Choi et al.  
 D733,747 S 7/2015 Jeong et al.  
 D736,246 S 8/2015 Zhang et al.  
 D737,832 S \* 9/2015 Lim ..... D14/485  
 D738,394 S \* 9/2015 Chaudhri ..... D14/486  
 D741,353 S \* 10/2015 Anzures ..... D14/487  
 D744,523 S 12/2015 Sanderson  
 D749,622 S \* 2/2016 Chaudhri ..... D14/488  
 D756,396 S \* 5/2016 Anzures ..... D14/486  
 D769,892 S \* 10/2016 Anzures ..... D14/485  
 D772,278 S 11/2016 Chaudhri et al.  
 D775,147 S \* 12/2016 Chaudhri ..... D14/485  
 D789,969 S \* 6/2017 Chaudhri ..... D14/486  
 D791,801 S \* 7/2017 Li ..... D14/486  
 D795,899 S \* 8/2017 Carrigan ..... D14/486

D804,510 S \* 12/2017 Federighi ..... D14/486  
 D808,401 S \* 1/2018 Chaudhri ..... D14/485  
 D808,975 S \* 1/2018 Park ..... D14/485  
 D822,711 S \* 7/2018 Bachman ..... D14/487  
 D826,951 S \* 8/2018 Su ..... D14/485  
 D837,230 S \* 1/2019 Johnston ..... D14/485  
 D847,177 S \* 4/2019 Ma ..... D14/486  
 D848,458 S \* 5/2019 Rocha ..... D14/486  
 D849,026 S \* 5/2019 Anzures ..... D14/485  
 D851,663 S \* 6/2019 Guesnon, Jr. .... D14/486  
 2005/0102610 A1 5/2005 Jie  
 2008/0155473 A1 6/2008 Duhig  
 2009/0066647 A1 3/2009 Kerr et al.  
 2009/0271723 A1 10/2009 Matsushima et al.  
 2009/0313578 A1\* 12/2009 Roh ..... H04N 21/431  
 715/790  
 2010/0125786 A1 5/2010 Ozawa et al.  
 2010/0174993 A1 7/2010 Pennington et al.  
 2011/0025711 A1 2/2011 Doi  
 2011/0167388 A1 7/2011 Tsai  
 2011/0202837 A1 8/2011 Fong et al.  
 2011/0252357 A1 10/2011 Chaudhri  
 2012/0017147 A1 1/2012 Mark  
 2012/0023441 A1\* 1/2012 Wu ..... G06F 3/0482  
 715/787  
 2013/0036384 A1 2/2013 Murata  
 2013/0254717 A1 9/2013 Al-Ali et al.  
 2014/0006990 A1 1/2014 Harada et al.  
 2014/0082497 A1 3/2014 Chalouhi et al.  
 2014/0173517 A1 6/2014 Chaudhri  
 2014/0229895 A1 8/2014 Noda et al.  
 2014/0282208 A1 9/2014 Chaudhri

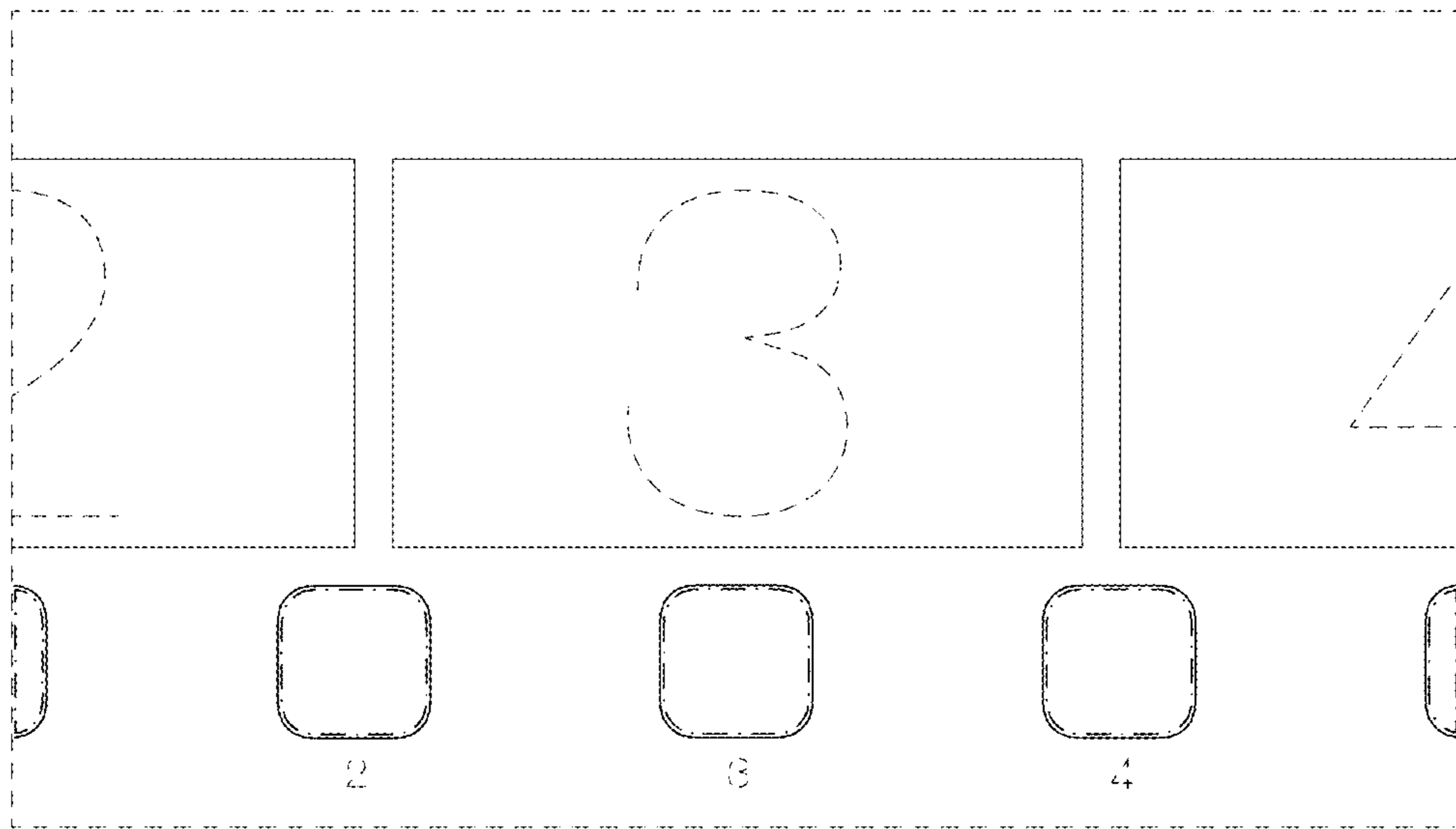
OTHER PUBLICATIONS

Ten Short Films, posted at cliparts.co by Steampunk, posting date not posted, © 2016 Cliparts.com, [site visited Feb. 29, 2016]. Available from internet: <<http://cliparts.co/clipart/3548787>>.  
 Plex for the New Apple TV4, posted at youtube.com by The Streaming Advisor, posted Nov. 3, 2015, [site visited Feb. 29, 2016]. Available from internet: <<https://www.youtube.com/watch?v=elxHHA-BNU4>>.  
 25 Audio Player Interfaces for Mobile Apps and Desktop Programs, posted at designwoop.com by Jake Rocheleau, posted Aug. 11, 2014, © 2014 DesignWoop.com, [site visited Feb. 29, 2016]. Available from internet: <<http://designwoop.com/2014/08/25-audio-player-interfaces-mobile-apps-desktop-programs/>>.

\* cited by examiner



**FIG. 1**



**FIG. 2**