



US00D872095S

(12) **United States Design Patent**
Miniard

(10) **Patent No.:** **US D872,095 S**
(45) **Date of Patent:** **** Jan. 7, 2020**

(54) **TABLET HOLDER**

(71) Applicant: **Jerry M. Miniard**, Fort Mitchell, KY
(US)

(72) Inventor: **Jerry M. Miniard**, Fort Mitchell, KY
(US)

(**) Term: **15 Years**

(21) Appl. No.: **29/610,186**

(22) Filed: **Jul. 10, 2017**

Related U.S. Application Data

(60) Division of application No. 29/571,508, filed on Jul. 19, 2016, now Pat. No. Des. 791,778, which is a division of application No. 29/539,916, filed on Sep. 18, 2015, now Pat. No. Des. 761,799, which is a division of application No. 29/491,755, filed on May 23, 2014, now Pat. No. Des. 741,336, which is a continuation-in-part of application No. 29/473,003, filed on Nov. 18, 2013, now Pat. No. Des. 709,075.

(51) **LOC (12) Cl.** **08-07**

(52) **U.S. Cl.**
USPC **D14/447**

(58) **Field of Classification Search**
USPC D14/447, 432, 434, 439, 440, 451, 452,
D14/457, 239, 253; D8/363, 373, 380;
D6/406.3, 406.4, 406.5, 406.6; D12/415;
D21/330, 331
CPC A47B 21/04; A47B 2097/006; A47B
2097/005; A47B 2023/049; A45C
2011/002; A45C 2011/003; F16M
2200/00; F16M 13/00

See application file for complete search history.

(56) **References Cited**

U.S. PATENT DOCUMENTS

D574,375 S 8/2008 Prest et al.
D590,404 S 4/2009 Kim et al.

D598,920 S 8/2009 Fujino et al.
D623,188 S 9/2010 Son et al.
D636,395 S 4/2011 Anderson et al.
D640,699 S * 6/2011 McParland D13/107
D642,121 S 7/2011 Lee et al.
D647,525 S 10/2011 Seto
D647,907 S 11/2011 Perry et al.
D657,741 S 4/2012 Fahrendorff et al.
D661,308 S 6/2012 Capozzoli, II
D661,309 S 6/2012 Murrer et al.
D667,403 S 9/2012 Maus
D668,662 S 10/2012 Suiter
D670,283 S 11/2012 Wikel
D671,949 S 12/2012 Jeon et al.
D672,350 S 12/2012 Gioscia et al.
D672,355 S 12/2012 Lee et al.
D672,357 S * 12/2012 Allen D14/447
D676,832 S 2/2013 Akana et al.
D690,308 S 9/2013 McCoy

(Continued)

Primary Examiner — Angela J Lee

(74) *Attorney, Agent, or Firm* — Wood Herron & Evans
LLP; John Paul Davis

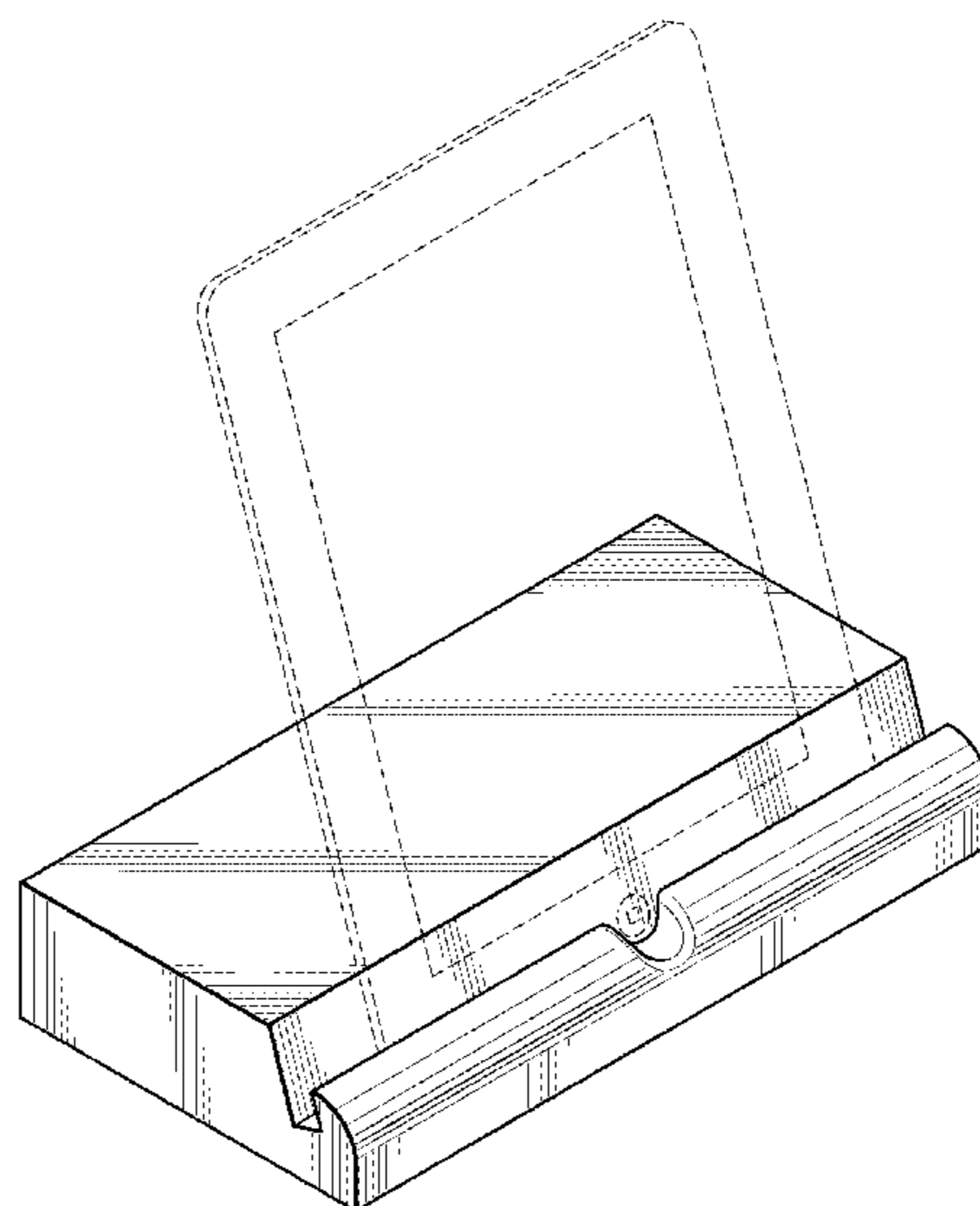
(57) **CLAIM**

The ornamental design for a tablet holder, as shown and described.

DESCRIPTION

FIG. 1 is a perspective view of a tablet holder of the present invention;
FIG. 2 is a front view thereof;
FIG. 3 is a left side view thereof; the right side view is a mirror image thereof;
FIG. 4 is a top view thereof;
FIG. 5 is a rear view thereof; and,
FIG. 6 is a bottom view thereof.
The elements shown in broken lines form no part of the claimed design.

1 Claim, 3 Drawing Sheets



(56)

References Cited

U.S. PATENT DOCUMENTS

D692,009	S	10/2013	Ashida et al.	
D693,826	S	11/2013	Ashida et al.	
D696,260	S	12/2013	Merea	
D699,245	S	2/2014	Lee et al.	
D699,368	S	2/2014	Quilter et al.	
D700,614	S	3/2014	Hamblet	
D701,213	S	3/2014	Pajic	
D702,664	S	4/2014	Kim	
D709,075	S	7/2014	Miniard	
D709,893	S *	7/2014	Sale	D14/434
D714,297	S	9/2014	Poulsen et al.	
D722,062	S	2/2015	Zwerner et al.	
D722,064	S	2/2015	Zwerner et al.	
D722,065	S	2/2015	Zwerner et al.	
D726,187	S	4/2015	Young	
D741,336	S	10/2015	Miniard	
D757,730	S	5/2016	Fletcher et al.	
D761,799	S	7/2016	Miniard	
D769,878	S	10/2016	Fletcher et al.	
D771,055	S	11/2016	Sharma et al.	
D791,778	S *	7/2017	Miniard	D14/447
D806,081	S *	12/2017	Avganim	D14/440
D828,361	S *	9/2018	Turksu	D14/447
2013/0003291	A1	1/2013	Zhou	
2013/0327904	A1	12/2013	Christal	

* cited by examiner

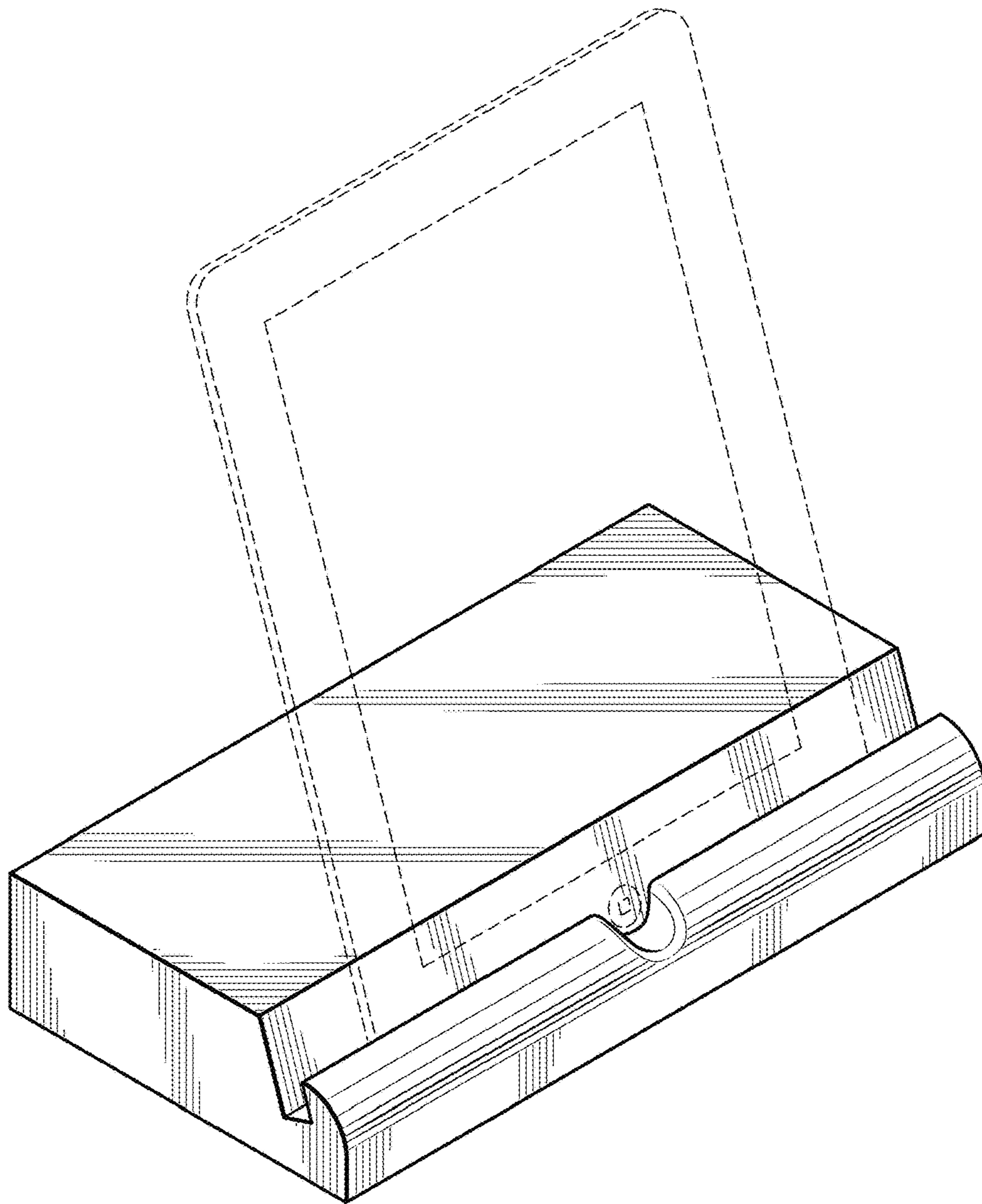


FIG. 1

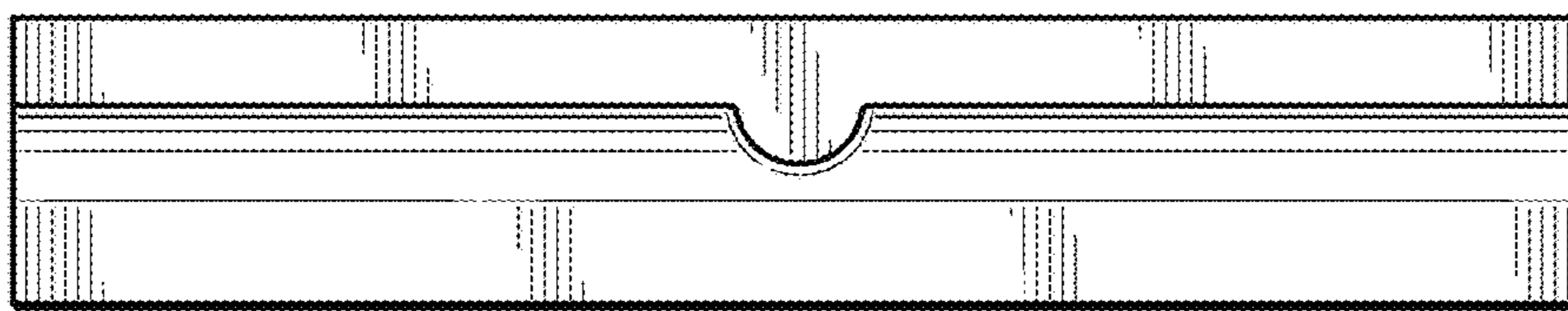


FIG. 2

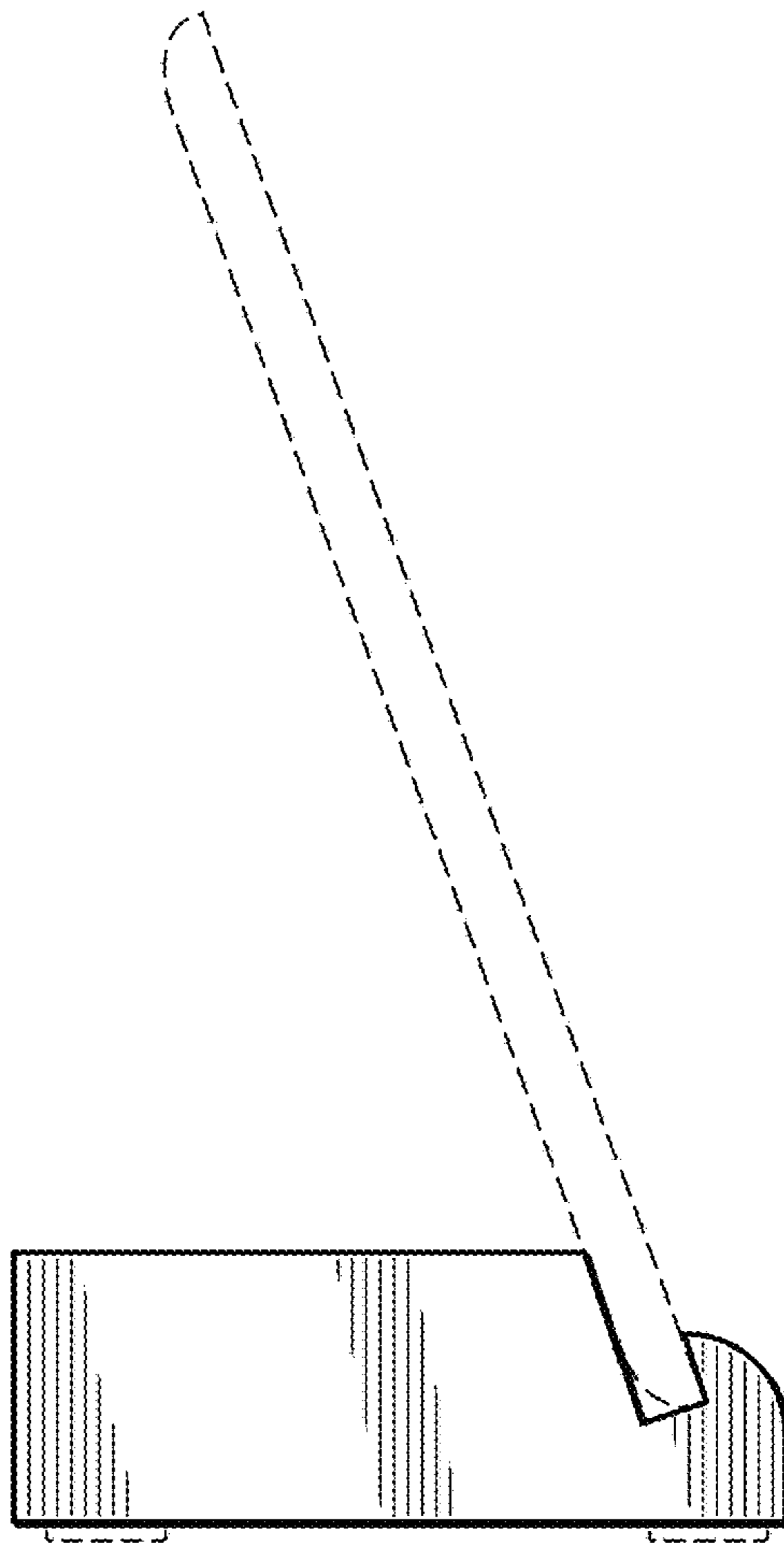


FIG. 3

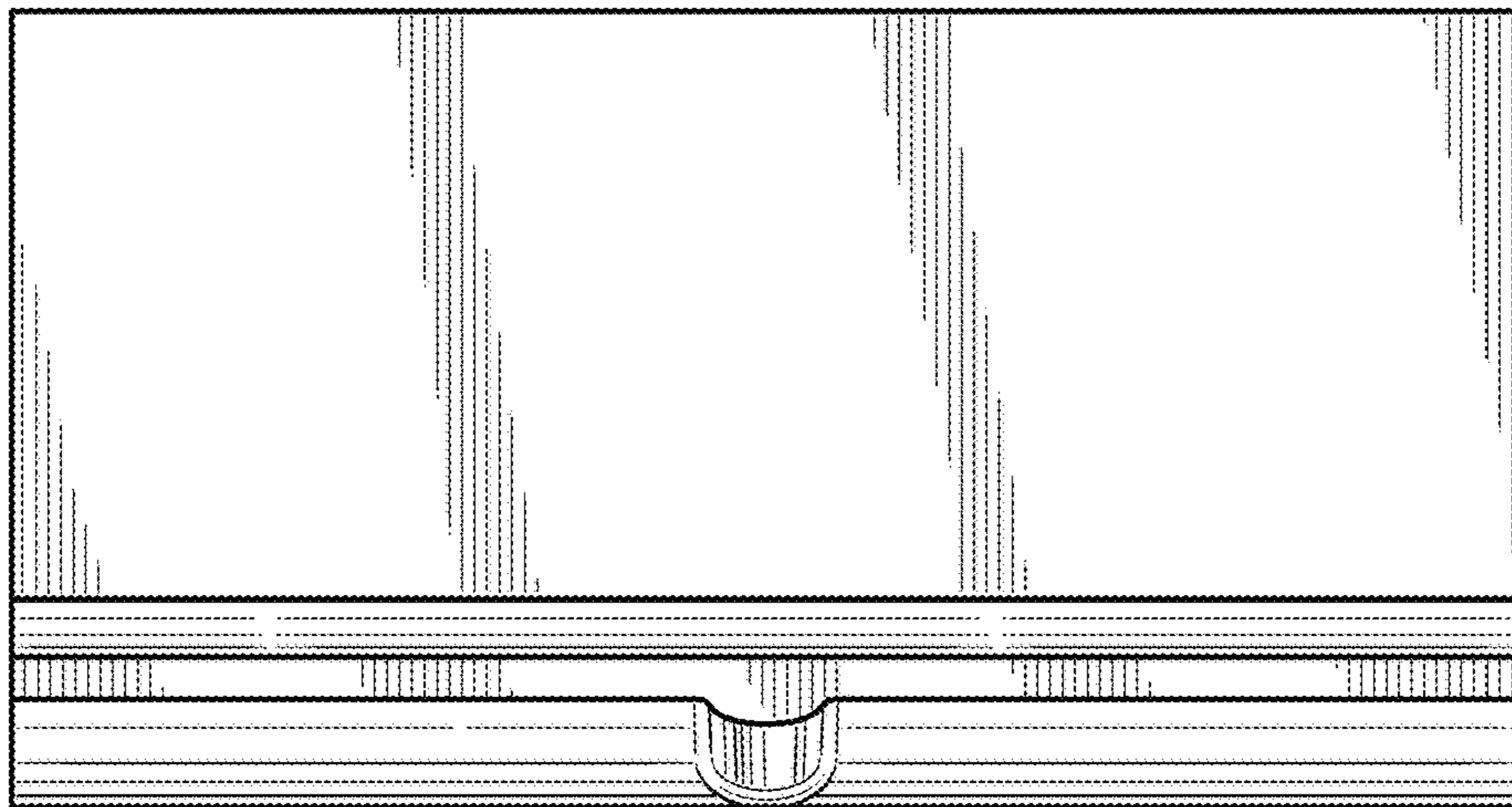


FIG. 4

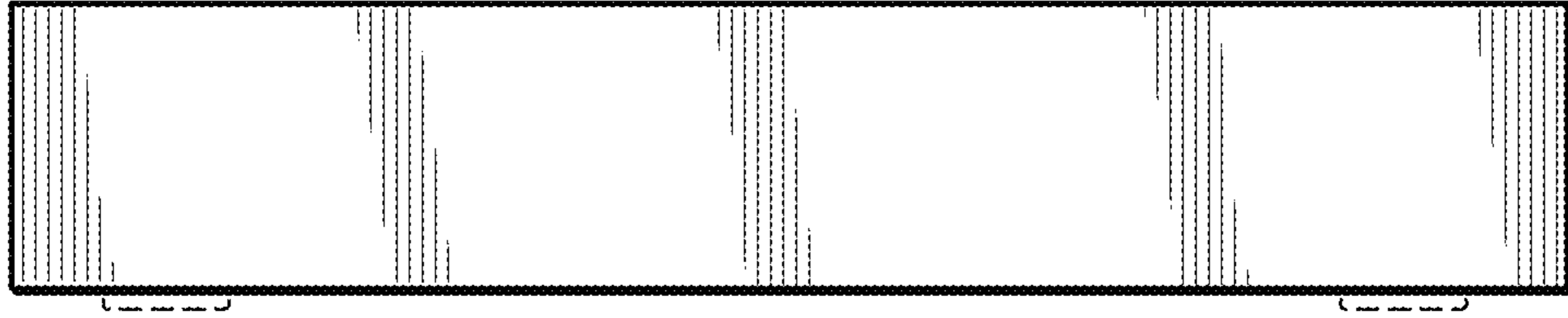


FIG. 5

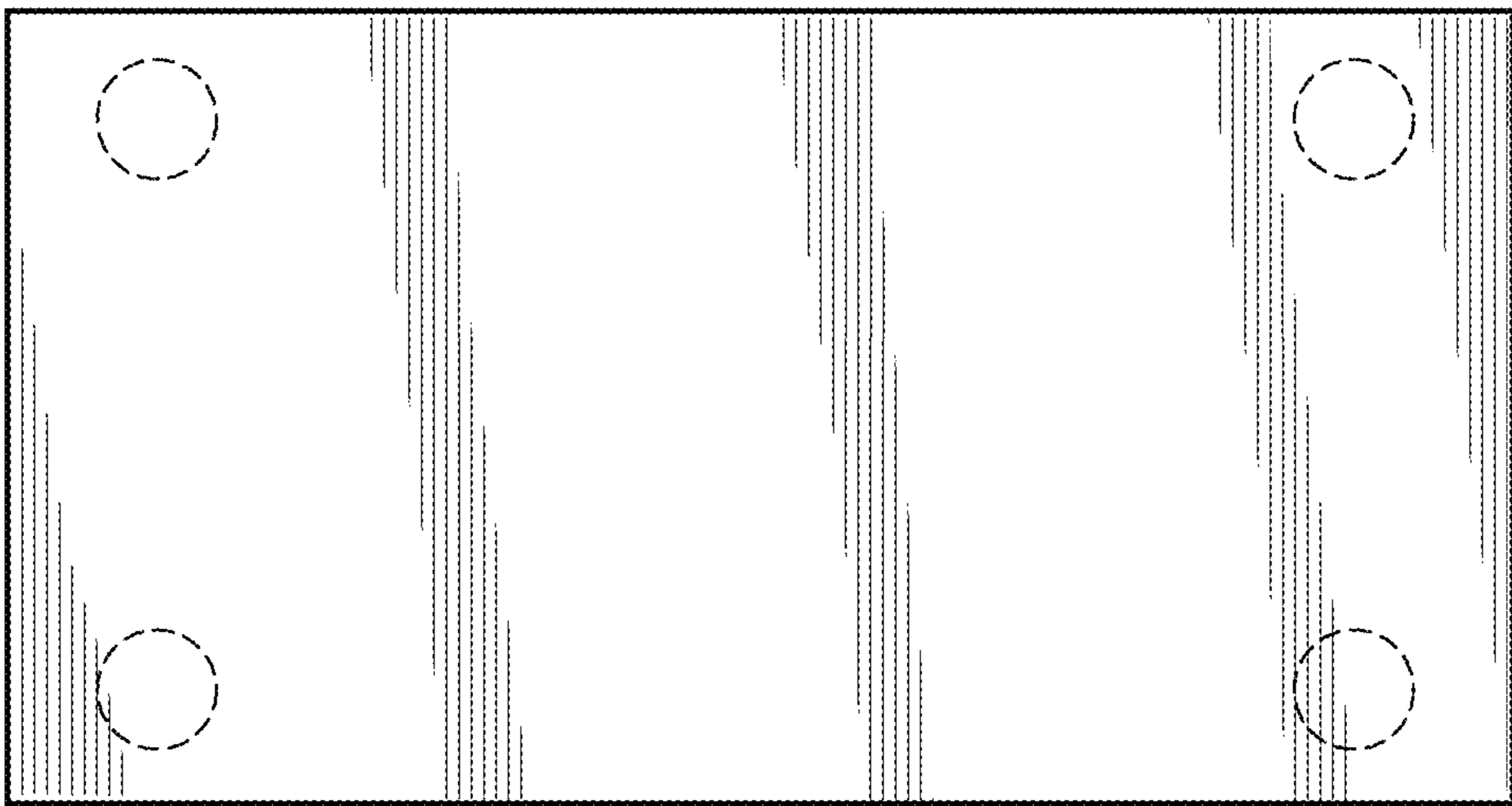


FIG. 6