



US00D872094S

(12) **United States Design Patent** (10) **Patent No.:** **US D872,094 S**
Wright et al. (45) **Date of Patent:** **** Jan. 7, 2020**

(54) **SLEEVE FOR ELECTRONIC DEVICE**
 (71) Applicant: **CATALYST LIFESTYLE LIMITED**,
 North Point (HK)
 (72) Inventors: **Joshua Wright**, Hong Kong (CN);
June Lai, Hong Kong (CN)
 (73) Assignee: **CATALYST LIFESTYLE LIMITED**,
 North Point, Hong Kong (CN)

D531,618 S 11/2006 Kennemer et al.
 D558,973 S * 1/2008 Hussaini D3/201
 7,347,325 B2 3/2008 O'Neill et al.
 D592,400 S 5/2009 Nelson
 D594,659 S 6/2009 Lown et al.
 D595,952 S 7/2009 Nussberger
 D596,393 S 7/2009 Leung et al.
 D599,546 S 9/2009 Lown et al.

(Continued)

(**) Term: **15 Years**
 (21) Appl. No.: **29/663,971**

CN 201430209218.9 12/2014
 CN 201430316889.5 2/2015

(Continued)

(22) Filed: **Sep. 20, 2018**

Primary Examiner — Cynthia R Underwood

(74) *Attorney, Agent, or Firm* — Dinsmore & Shohl LLP

(30) **Foreign Application Priority Data**

Mar. 21, 2018 (CN) 2018 3 0105793

(51) **LOC (12) Cl.** **14-02**

(52) **U.S. Cl.**
 USPC **D14/440; D14/250**

(58) **Field of Classification Search**
 USPC D14/440, 447, 250; 206/45.23, 320,
 206/45.2; 361/679.55; 294/25; 224/218;
 D3/294; D9/420
 CPC G06F 1/1628; G06F 1/1626; A47B 23/044
 See application file for complete search history.

(56) **References Cited**

U.S. PATENT DOCUMENTS

D323,929 S * 2/1992 Hodson D14/440
 D362,542 S 9/1995 Richards et al.
 D375,197 S 11/1996 Laherty
 D377,788 S * 2/1997 Carlson D14/440
 5,740,624 A 4/1998 Baseley
 D405,256 S 2/1999 Chacon et al.
 6,305,538 B1 10/2001 Jackson
 D467,799 S * 12/2002 Persson D9/420
 D475,696 S 6/2003 Hussaini et al.
 6,817,470 B1 11/2004 Goldberg

FOREIGN PATENT DOCUMENTS

CN 201430209218.9 12/2014
 CN 201430316889.5 2/2015

(Continued)

Primary Examiner — Cynthia R Underwood

(74) *Attorney, Agent, or Firm* — Dinsmore & Shohl LLP

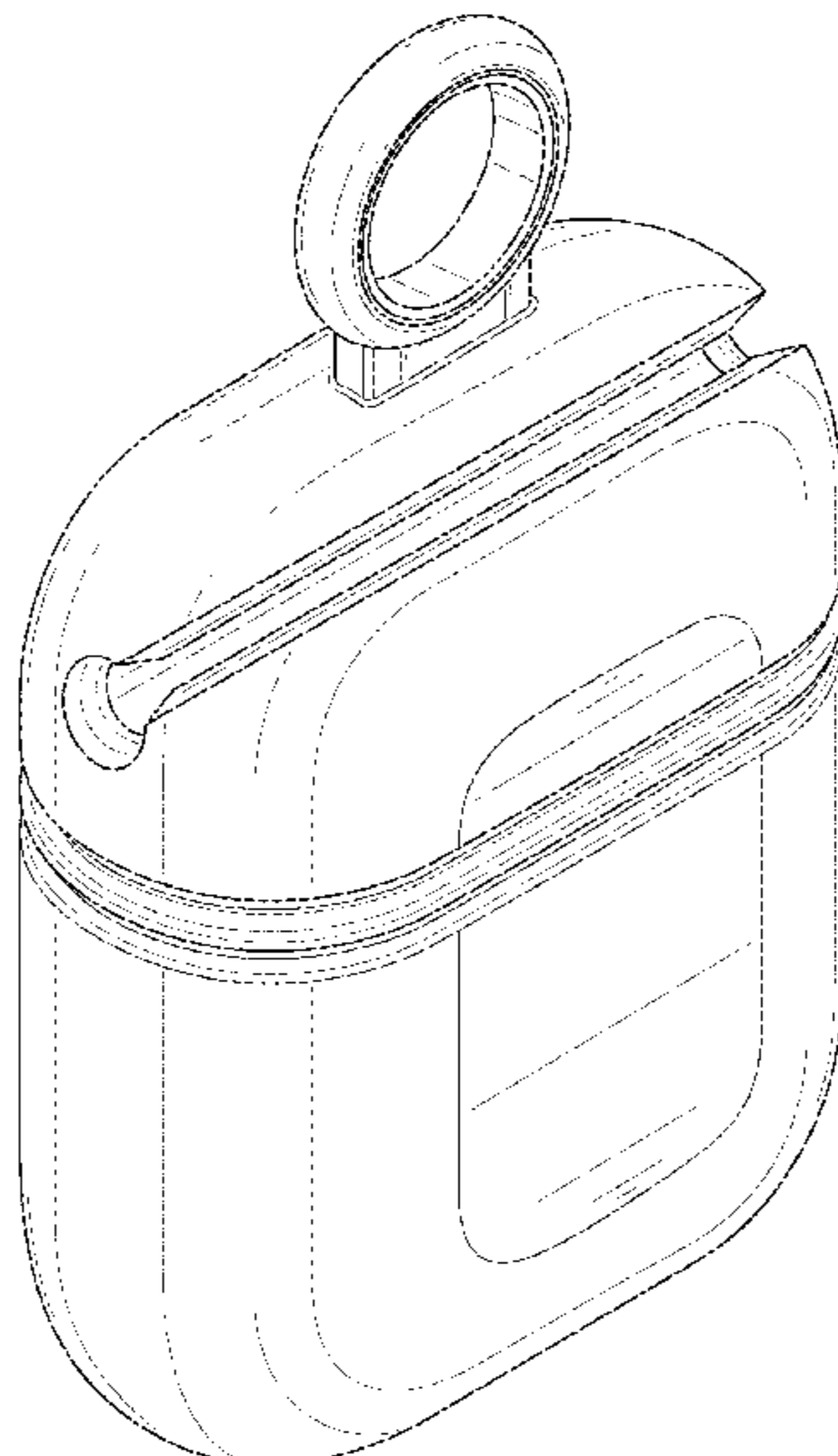
(57) **CLAIM**

The ornamental design for a sleeve for electronic device, as shown and described.

DESCRIPTION

FIG. 1 is a perspective view including a front, top and one side of the sleeve for electronic device;
 FIG. 2 is a perspective view including a rear, bottom and opposite side of the sleeve for electronic device;
 FIG. 3 is a planar view of the rear of the sleeve for electronic device of FIG. 1;
 FIG. 4 is a planar view of the front of the sleeve for electronic device of FIG. 1;
 FIG. 5 is a planar view of one side of the sleeve for electronic device of FIG. 1;
 FIG. 6 is a planar view of an opposite side of the sleeve for electronic device of FIG. 1;
 FIG. 7 is a planar view of the top of the sleeve for electronic device of FIG. 1; and,
 FIG. 8 is a planar view of the bottom of the sleeve for electronic device of FIG. 1.

1 Claim, 8 Drawing Sheets



(56)

References Cited

U.S. PATENT DOCUMENTS

D600,913	S	9/2009	Kalbach	
7,584,841	B2	9/2009	Chan et al.	
D601,366	S	10/2009	Barabas et al.	
7,855,529	B2	12/2010	Liu	
D670,497	S	11/2012	Phillips et al.	
8,399,764	B2	3/2013	Klosky	
D681,613	S	5/2013	Magness et al.	
D714,296	S *	9/2014	Fujioka	D14/440
8,831,538	B2 *	9/2014	Yuen	A61B 5/222 455/90.1
D718,750	S	12/2014	Young et al.	
D720,096	S *	12/2014	McDougall	D28/66
8,961,015	B1	2/2015	Bihn	
D764,476	S *	8/2016	Gleason, III	D14/440
D812,065	S *	3/2018	Shim	D14/440
D838,723	S *	1/2019	Wang	D14/440
D846,264	S *	4/2019	Wu	D3/201
D849,401	S *	5/2019	Akana	D3/274
D854,022	S *	7/2019	Chen	D14/440

FOREIGN PATENT DOCUMENTS

CN	201730139523.9	10/2017
CN	201730147900.3	11/2017
CN	201730208864.7	12/2017
CN	201730216313.5	12/2017
CN	201730348926.4	1/2018
CN	201730395672.9	2/2018
CN	201730483408.3	3/2018
KR	30-2003-0025093	6/2004

* cited by examiner

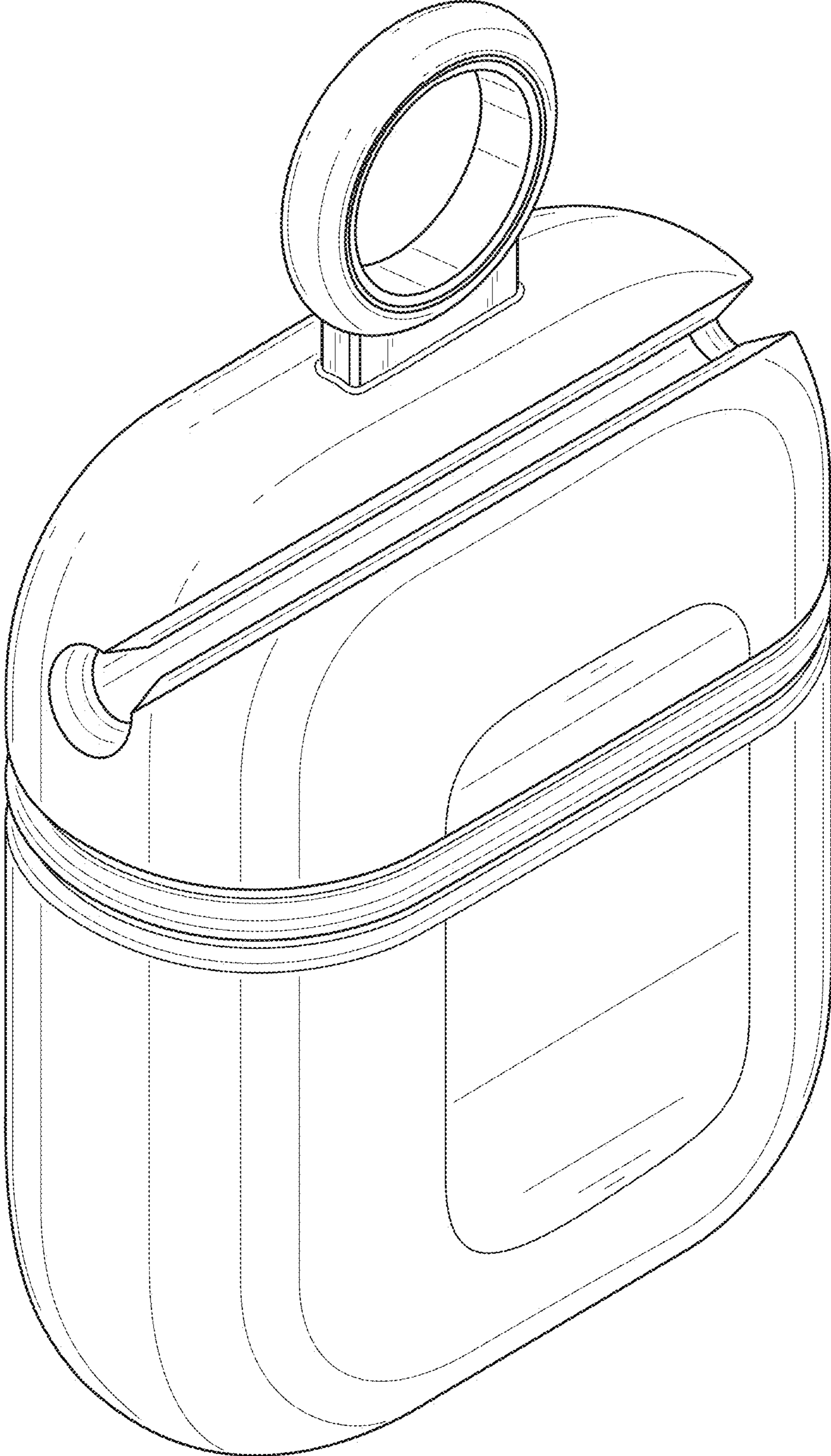


FIG. 1

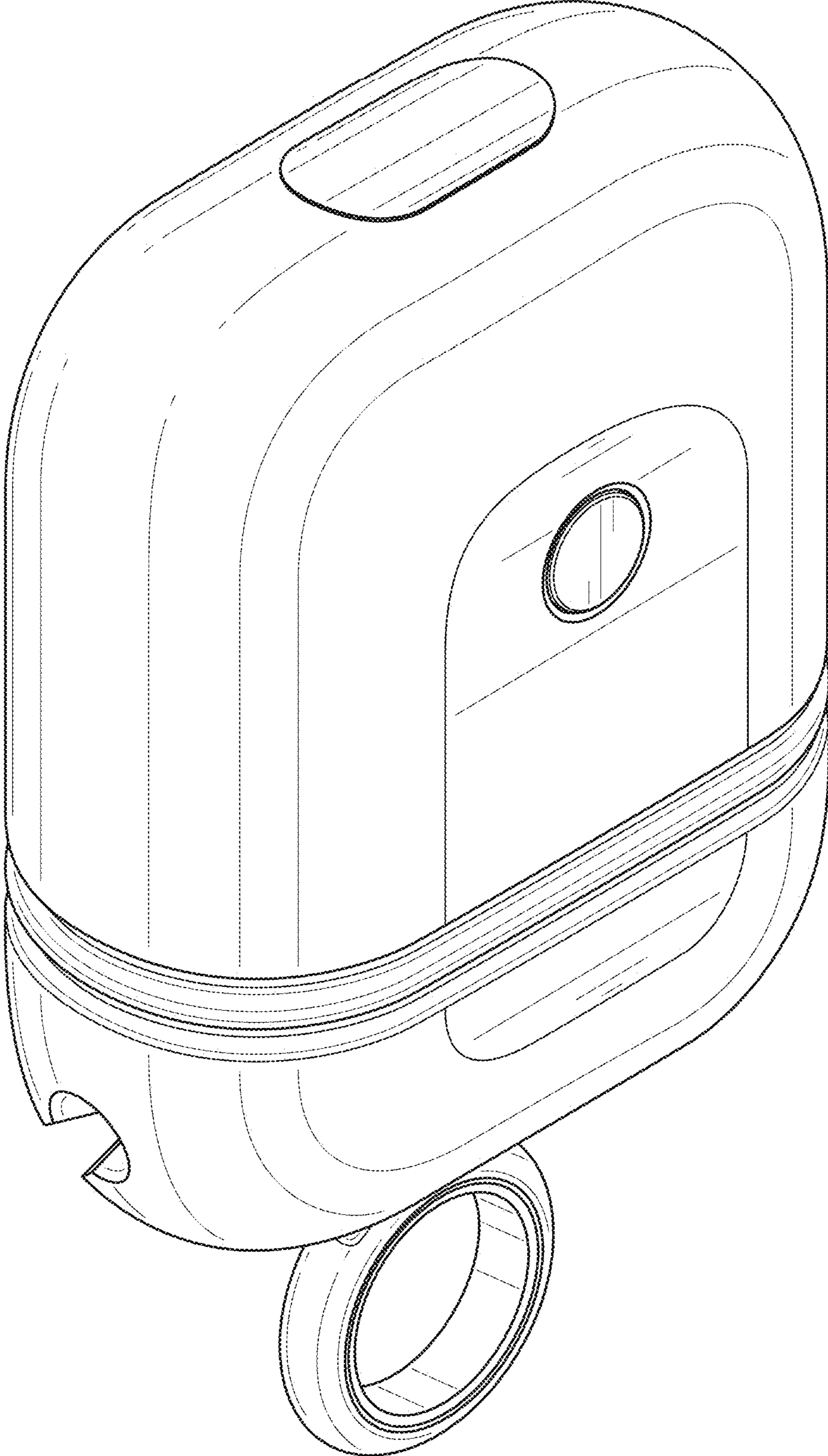


FIG. 2

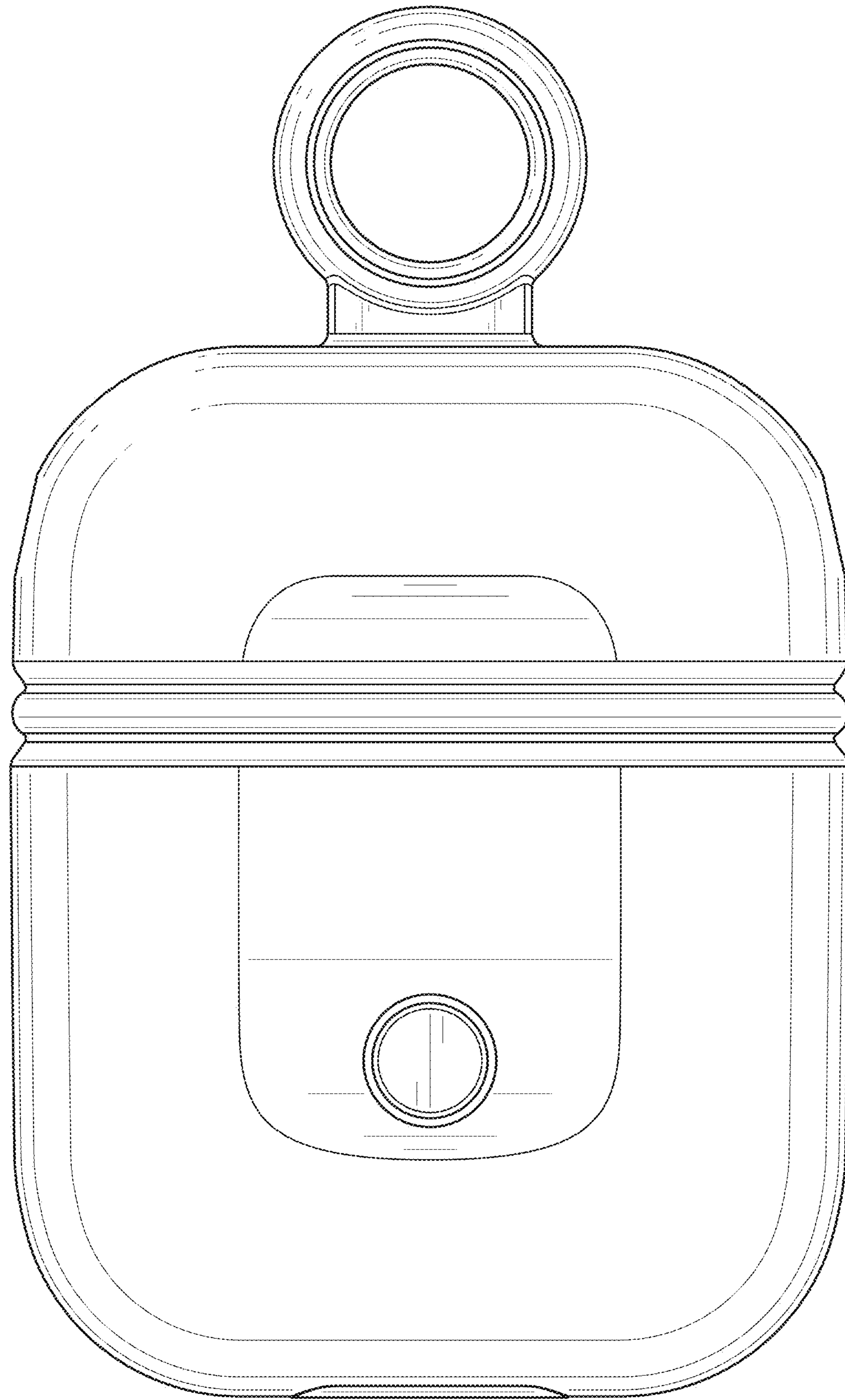


FIG. 3

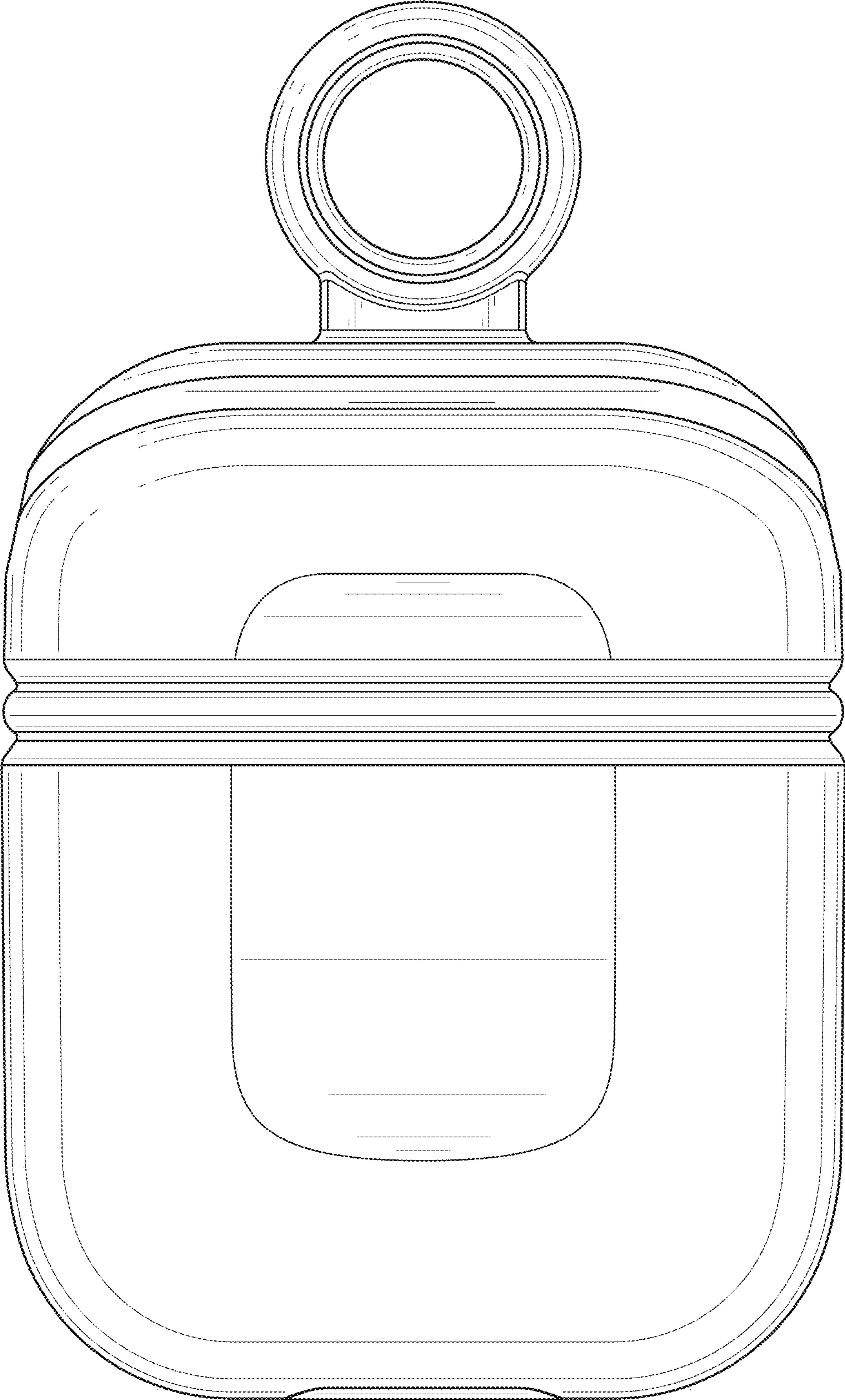


FIG. 4

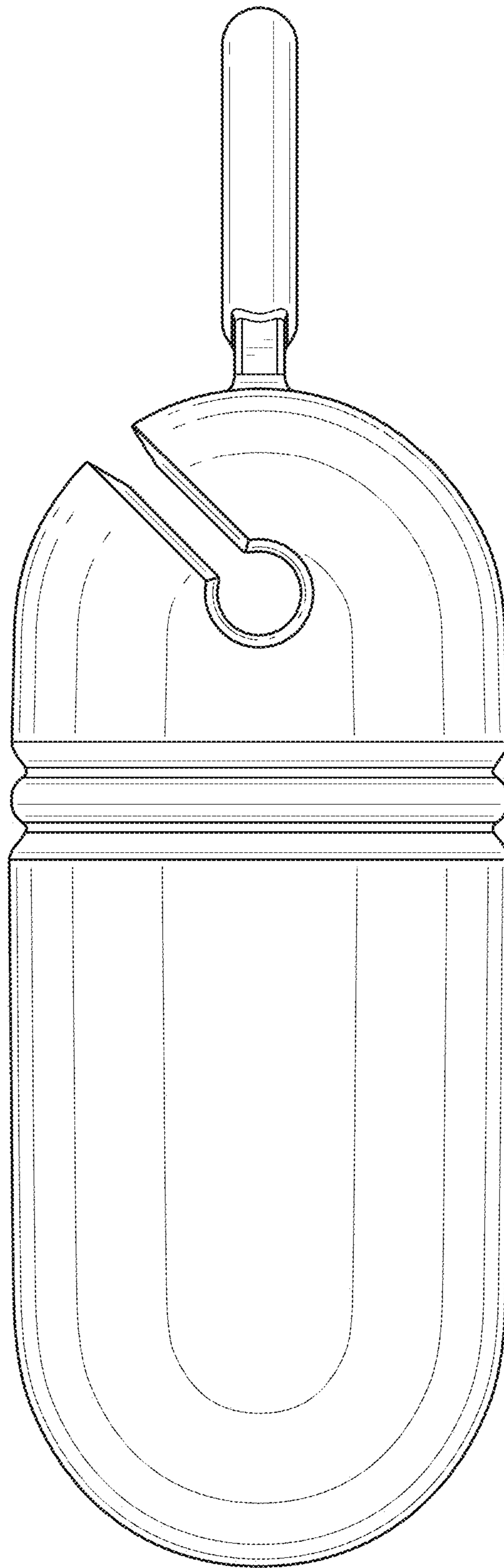


FIG. 5

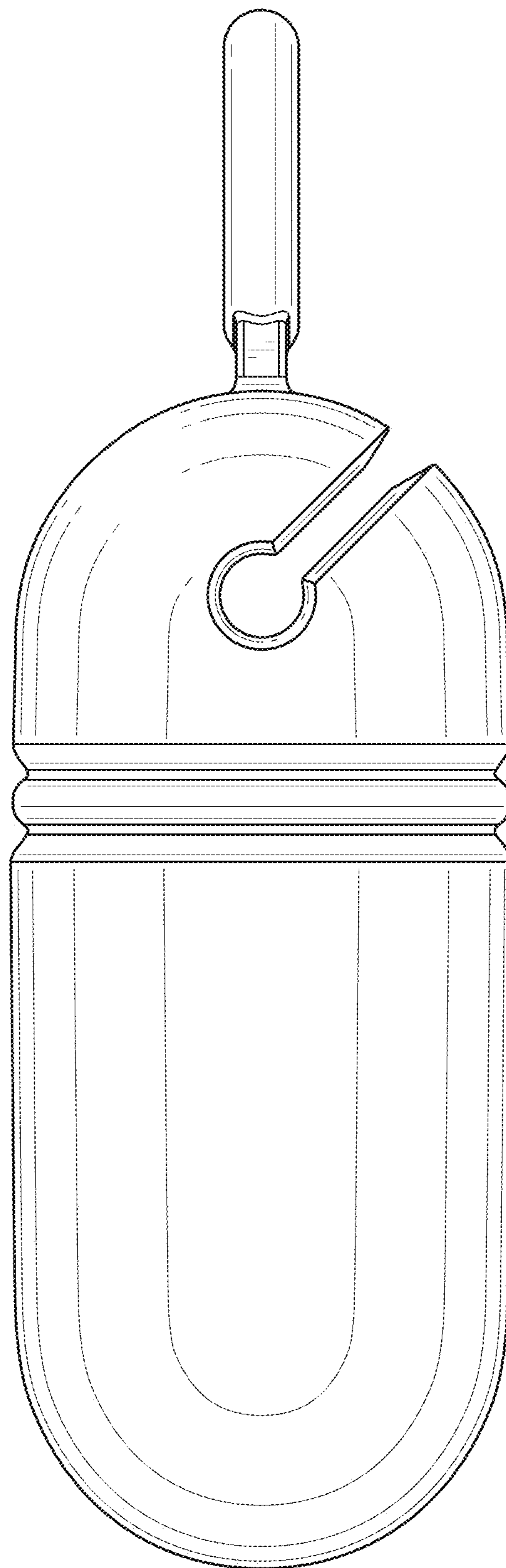


FIG. 6

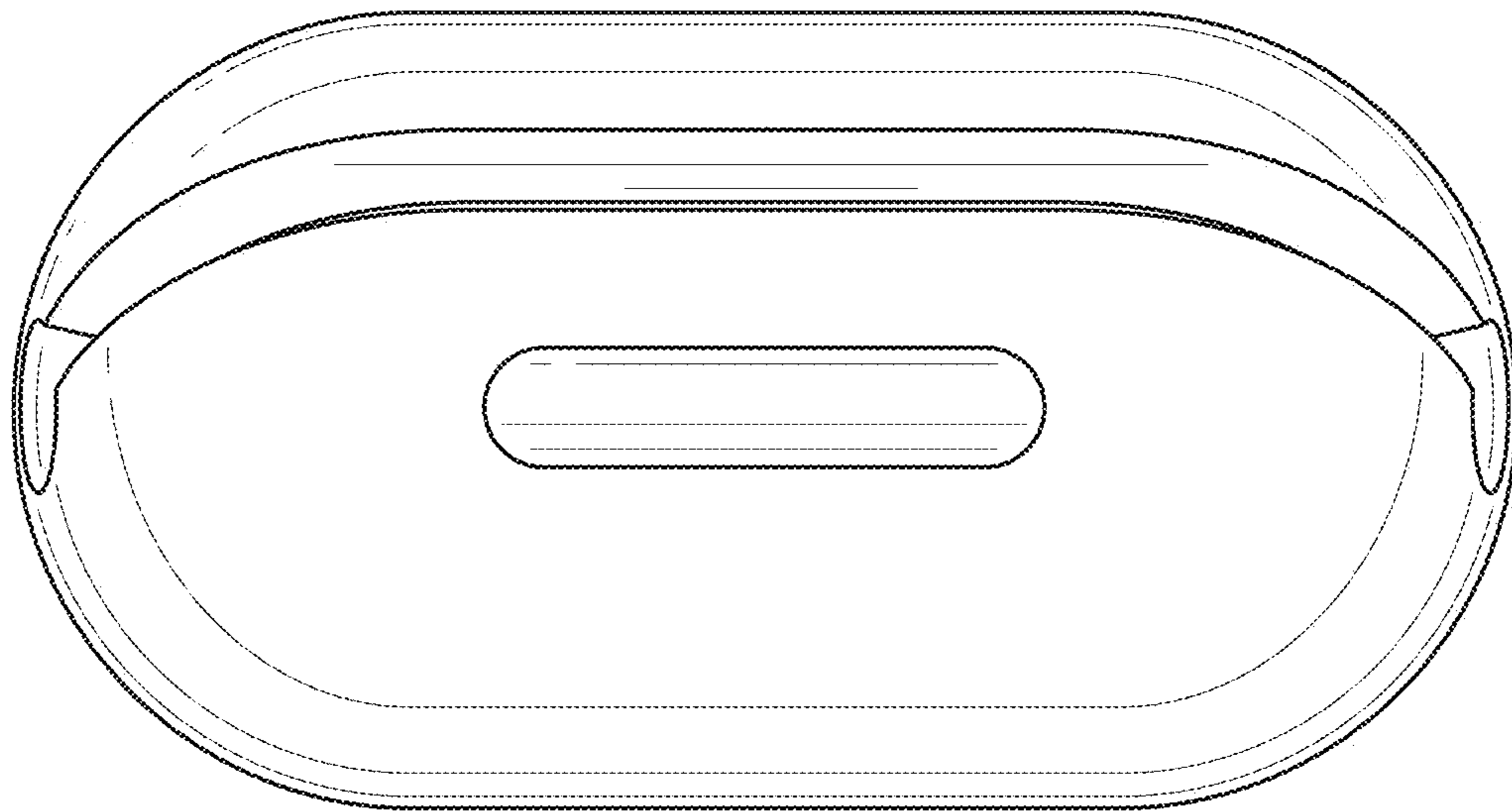


FIG. 7

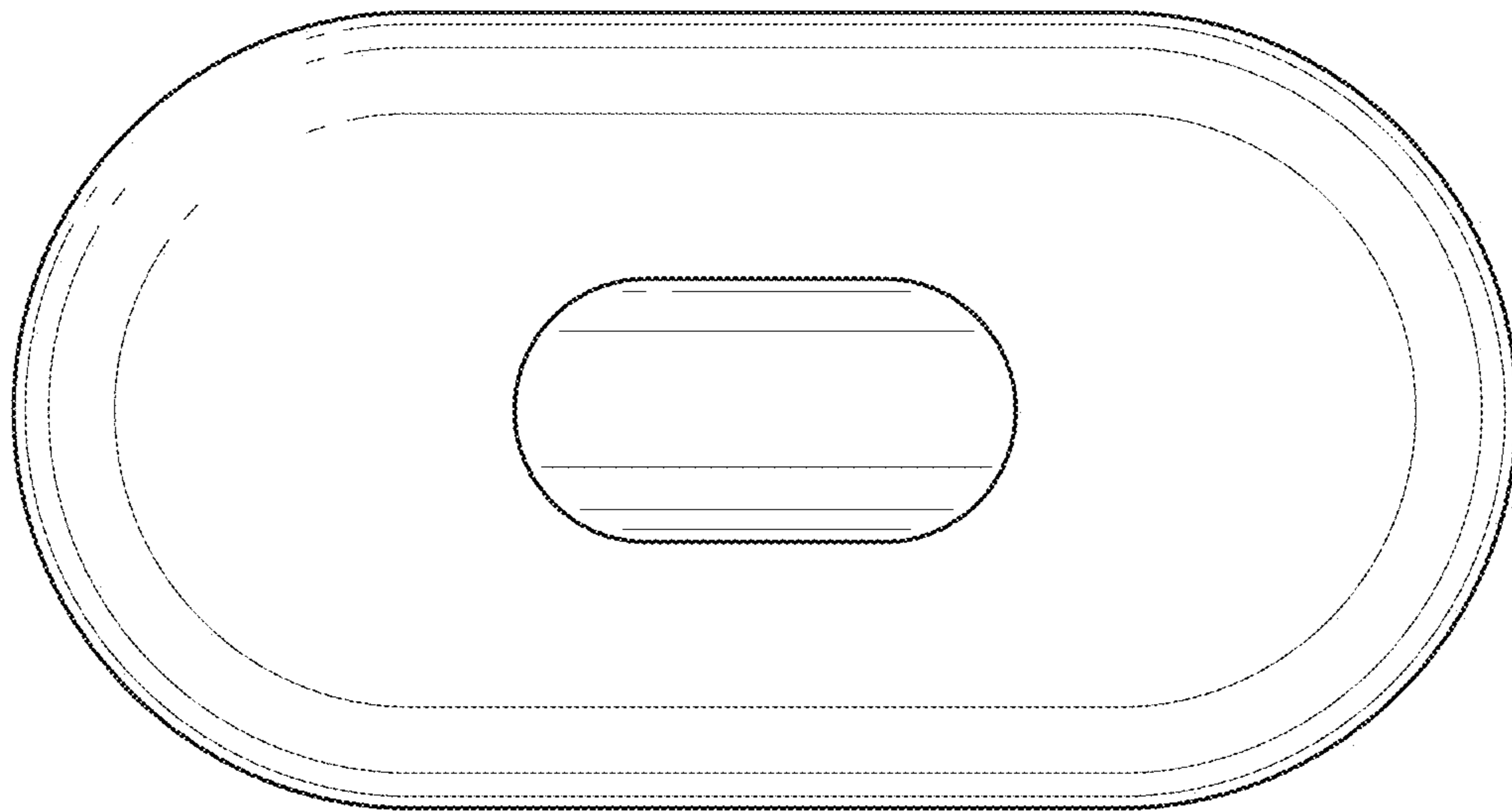


FIG. 8