



US00D872093S

(12) **United States Design Patent**
Xu

(10) **Patent No.:** **US D872,093 S**
(45) **Date of Patent:** **** Jan. 7, 2020**

(54) **TABLET CASE**

(71) Applicant: **Xianlin Xu**, Guangdong (CN)

(72) Inventor: **Xianlin Xu**, Guangdong (CN)

(73) Assignee: **Shenzhenshi Weimeijuguang Technology Co., Ltd**, Shenzhen, Guangdong (CN)

(**) Term: **15 Years**

(21) Appl. No.: **29/658,674**

(22) Filed: **Aug. 1, 2018**

(51) **LOC (12) Cl.** **14-02**

(52) **U.S. Cl.**
USPC **D14/440**

(58) **Field of Classification Search**
USPC D14/440, 447, 250; 206/45.23, 320, 206/45.2; 361/679.55; 294/25; 224/218
CPC G06F 1/1628; G06F 1/1626; A47B 23/044
See application file for complete search history.

(56) **References Cited**

U.S. PATENT DOCUMENTS

D597,052 S *	7/2009	Kim	D14/138 AB
D634,314 S *	3/2011	Fahrendorff	D14/250
D649,144 S *	11/2011	Fathollahi	D14/250
D685,358 S *	7/2013	Armstrong	D14/250
D685,786 S *	7/2013	Seoc	D14/353
D690,292 S *	9/2013	Bibla	D14/250
D715,785 S *	10/2014	Jacob	D14/250
D719,144 S *	12/2014	Eulette	D14/250
D721,686 S *	1/2015	Jacob	D14/250
D733,696 S *	7/2015	Burgett	D14/250
D742,869 S *	11/2015	Odhwani	D14/250
D752,593 S *	3/2016	Diebel	G06F 1/1679 D14/440
D768,123 S *	10/2016	Armstrong	D14/250
D770,458 S *	11/2016	Corcoran	D14/440

D772,288 S *	11/2016	Montes	D14/488
D775,198 S *	12/2016	Montes	D14/489
D794,626 S *	8/2017	Armstrong	D14/250
D806,082 S *	12/2017	Armstrong	D14/440
D807,892 S *	1/2018	Wang	D14/440
D825,571 S *	8/2018	Shannon, III	D14/440
D832,269 S *	10/2018	Cheng	D14/440
D832,270 S *	10/2018	Cheng	D14/440
D832,271 S *	10/2018	Cheng	D14/440
10,148,307 B2 *	12/2018	Shannon	H04B 1/3888
D844,621 S *	4/2019	Chen	D14/440
D845,305 S *	4/2019	Xu	D14/440
D846,552 S *	4/2019	Feng	D14/440
D846,553 S *	4/2019	Feng	D14/440

(Continued)

Primary Examiner — Cynthia R Underwood

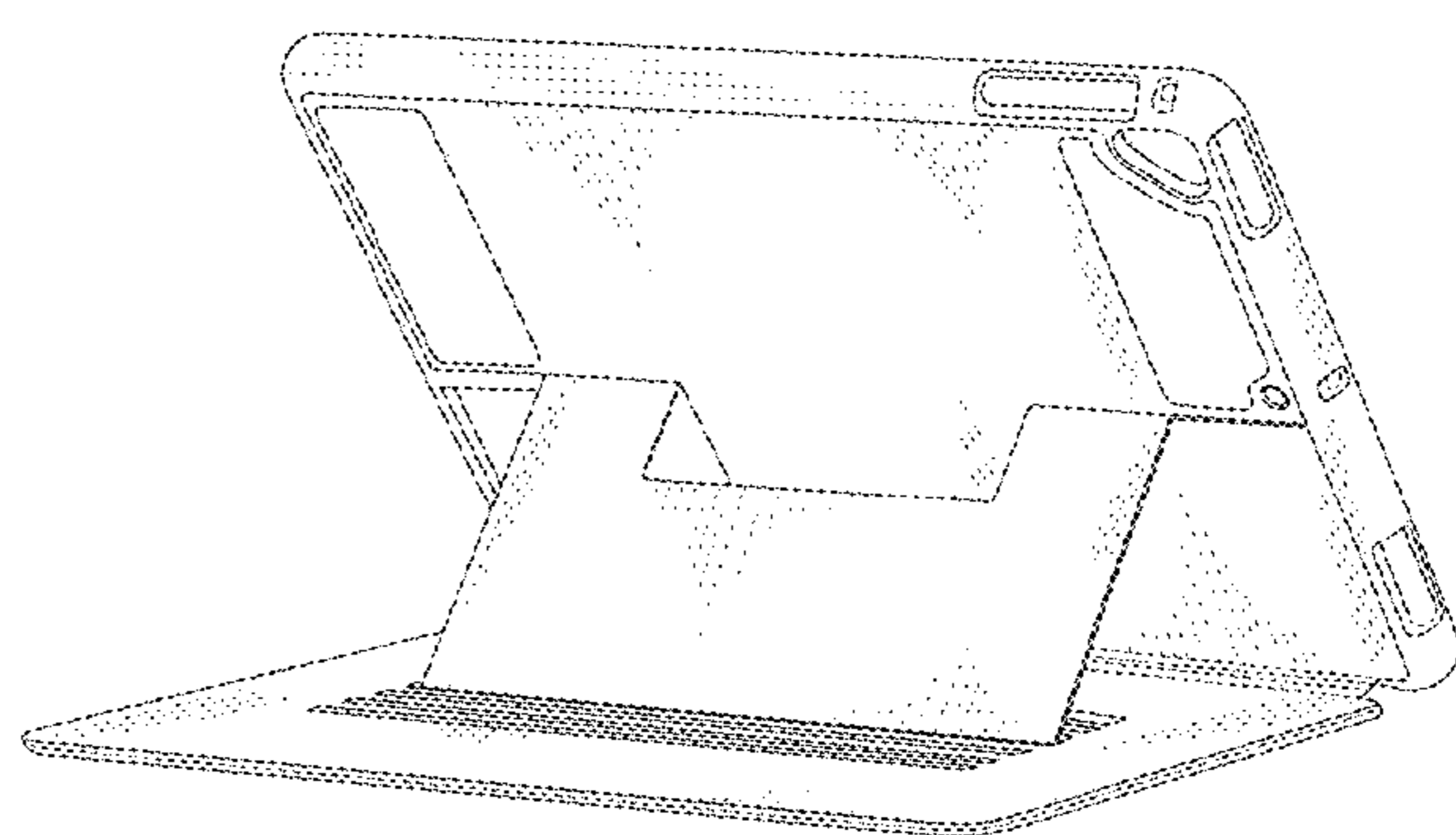
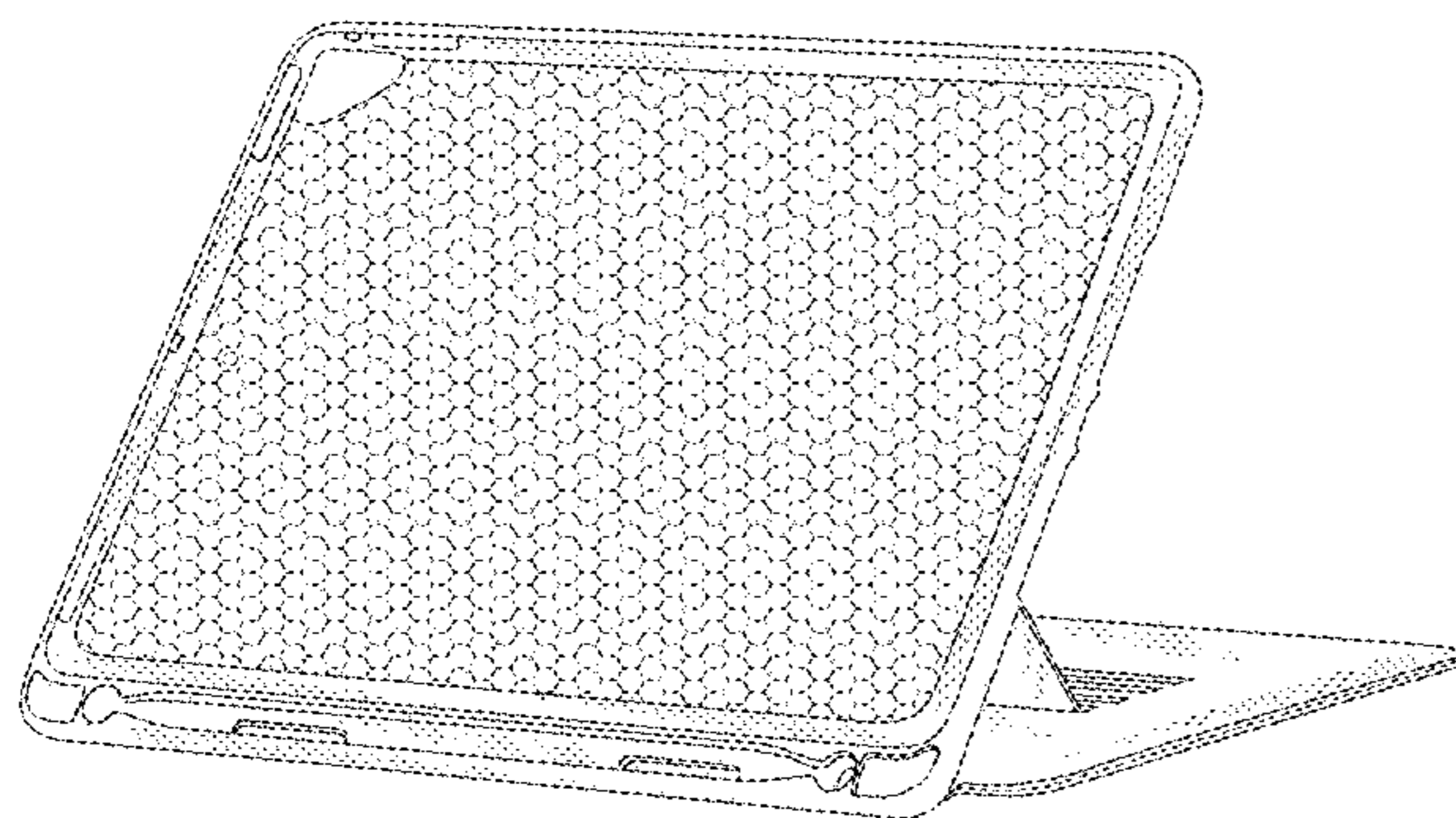
(57) **CLAIM**

The ornamental design for a tablet case, as shown and described.

DESCRIPTION

FIG. 1 is a front side perspective view of a tablet case opened showing my new design;
 FIG. 2 is a front elevational view of the tablet case of FIG. 1;
 FIG. 3 is a rear elevational view of the tablet case of FIG. 1;
 FIG. 4 is a top plan view of the tablet case of FIG. 1;
 FIG. 5 is a bottom plan view of the tablet case of FIG. 1;
 FIG. 6 is a left side elevational view of the tablet case closed;
 FIG. 7 is a right side elevational view of the tablet case closed;
 FIG. 8 is a front perspective view of the tablet case, depicting a flap in an open position; and,
 FIG. 9 is a rear perspective view of the tablet case, depicting a flap in an open position.
 The broken lines representing stitching are part of the claimed design.

1 Claim, 9 Drawing Sheets



(56)

References Cited

U.S. PATENT DOCUMENTS

D851,648 S * 6/2019 Tan D14/440
 2008/0029412 A1 * 2/2008 Ho A47B 21/0314
 2008/0167095 A1 * 7/2008 Kim H04M 1/0216
 2009/0159763 A1 * 6/2009 Kim F16M 13/00
 2009/0194209 A1 * 8/2009 De Filippis A45C 11/00
 2011/0266194 A1 * 11/2011 Bau A45C 11/00
 2011/0297566 A1 * 12/2011 Gallagher F16M 11/105
 2012/0268891 A1 * 10/2012 Cencioni G06F 1/1626
 2013/0088431 A1 * 4/2013 Ballagas G06F 1/1626
 2013/0223005 A1 * 8/2013 Smith G06F 1/1628
 2013/0233762 A1 * 9/2013 Balaji B65D 25/00
 2013/0241381 A1 * 9/2013 Hyncek H05K 5/0217

2014/0246340 A1 * 9/2014 Jiang A45C 11/00
 2015/0065208 A1 * 3/2015 Balaji H04M 1/04
 2015/0151887 A1 * 6/2015 Huang A45C 11/00
 2015/0237979 A1 * 8/2015 Huang A45C 11/00
 2015/0263776 A1 * 9/2015 Shyu A45C 13/002
 2015/0266610 A1 * 9/2015 Melmon B65D 5/5206
 2015/0280768 A1 * 10/2015 Huang H04B 1/3888
 2015/0296060 A1 * 10/2015 Gu H04M 1/0235
 2019/0142992 A1 * 5/2019 Davidson C08G 18/10
 2019/0144163 A1 * 5/2019 Lim B65D 19/0028
 2019/0149808 A1 * 5/2019 Ng H04N 13/305
 2019/0275714 A1 * 9/2019 Kanoh B29C 45/14065

* cited by examiner

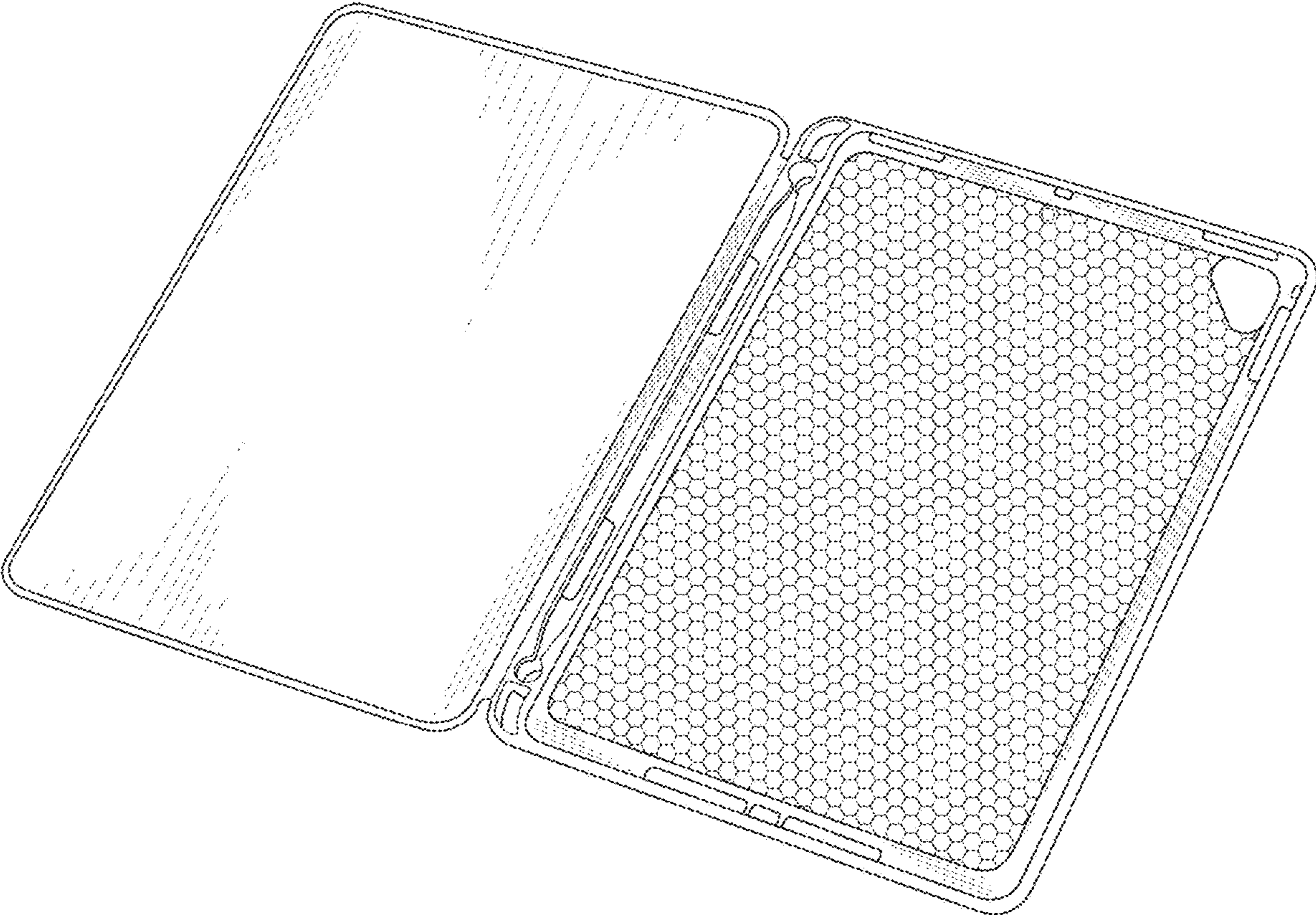


FIG.1

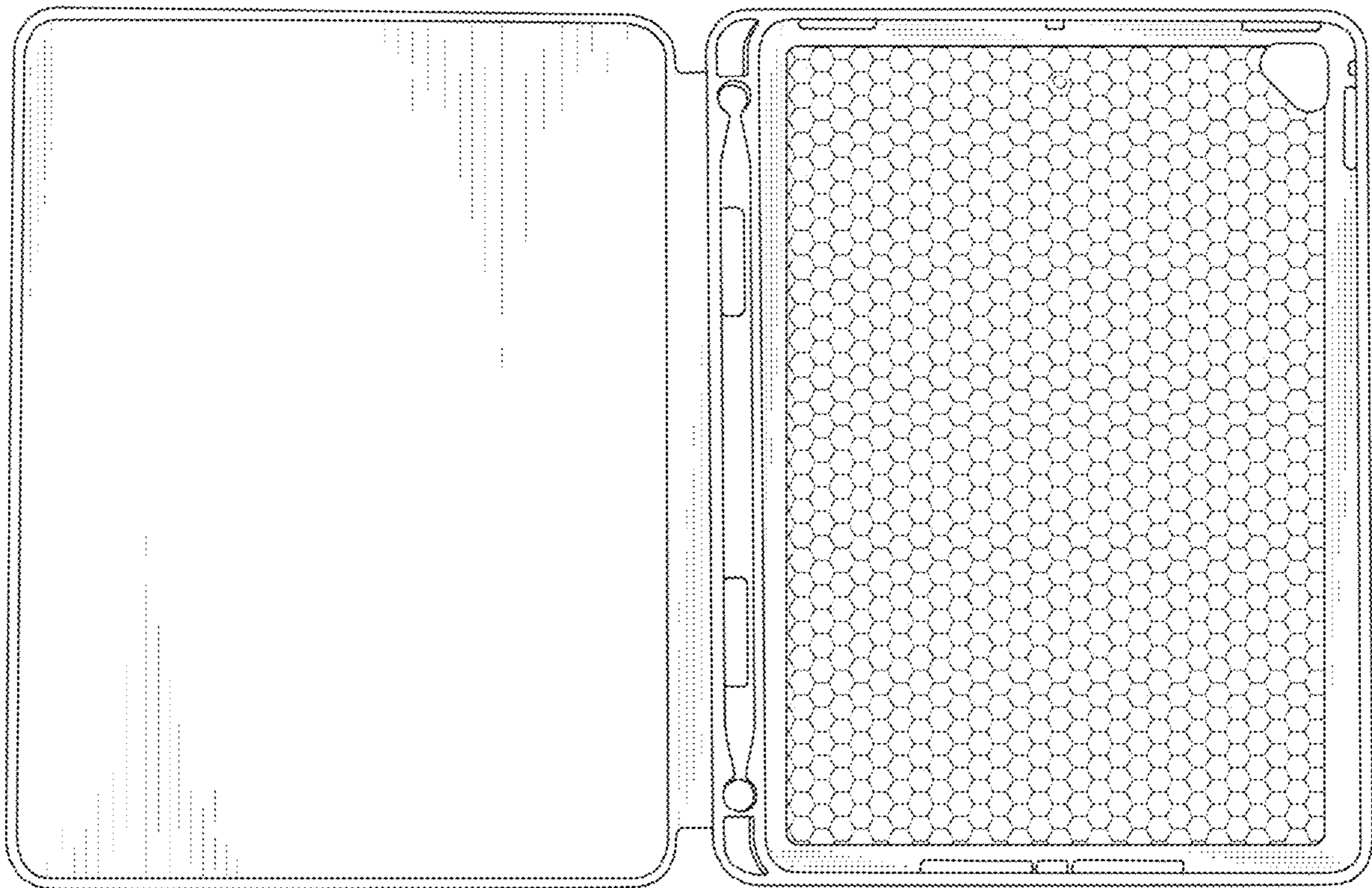


FIG. 2

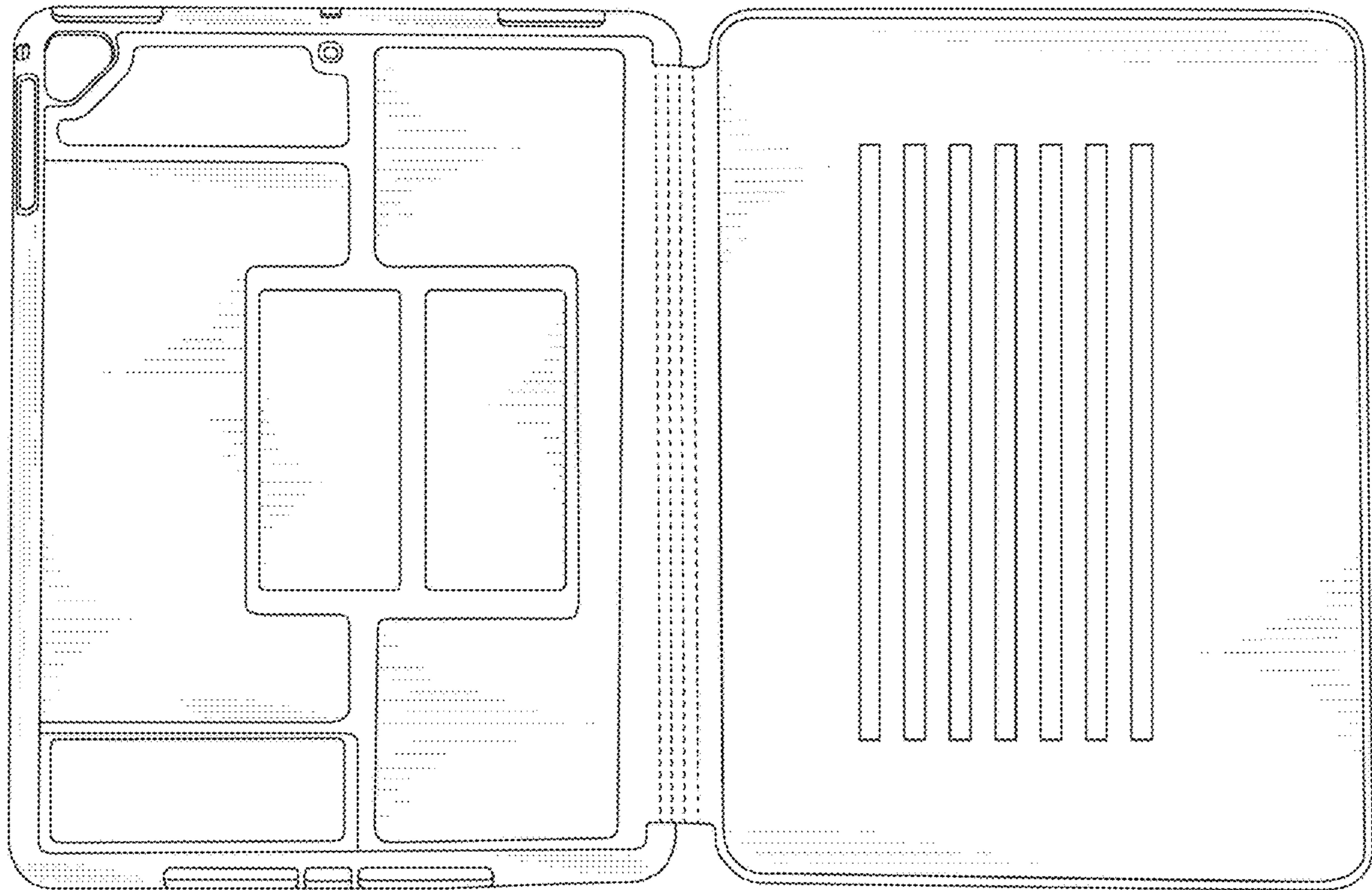


FIG.3



FIG.4



FIG.5



FIG.6



FIG.7

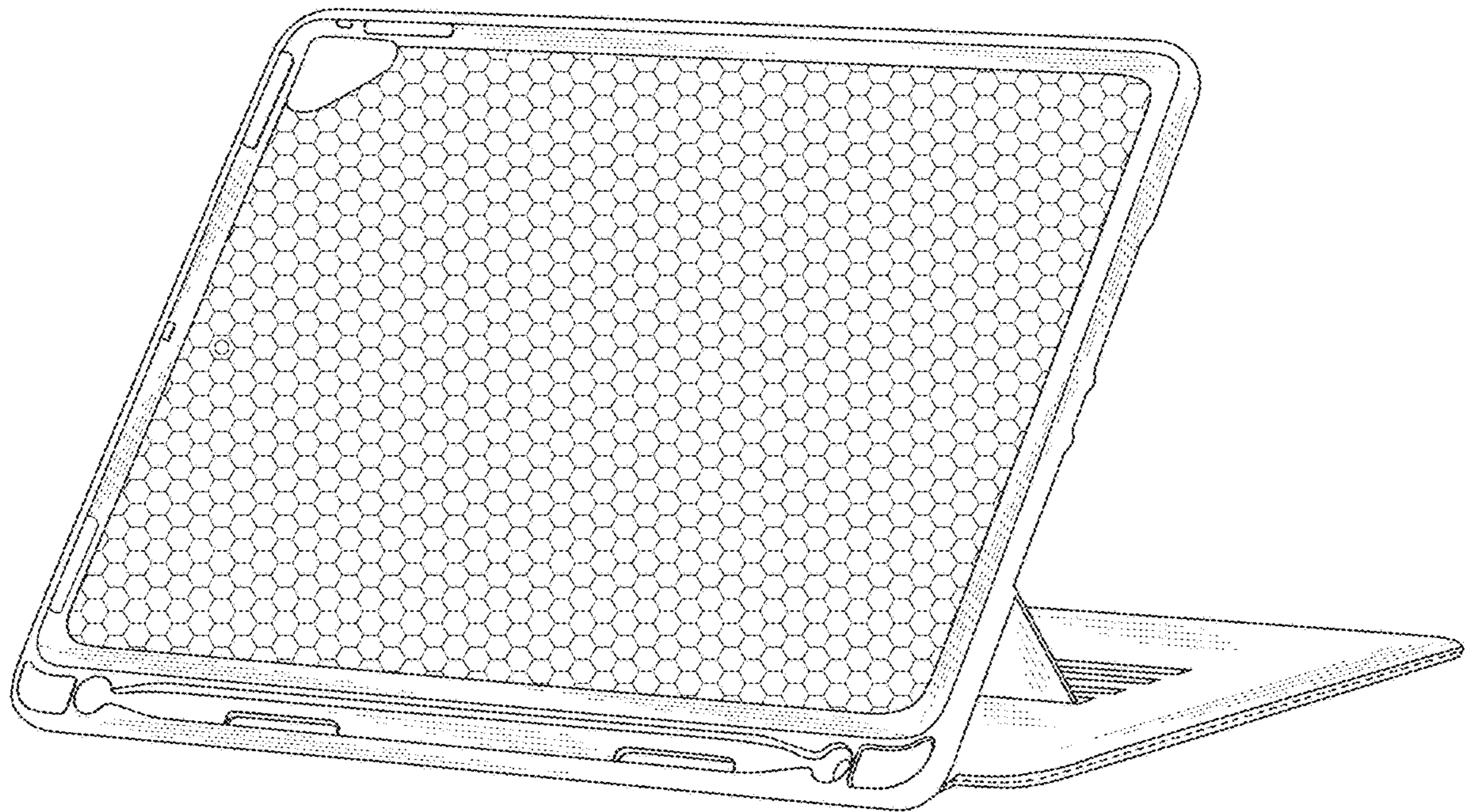


FIG. 8

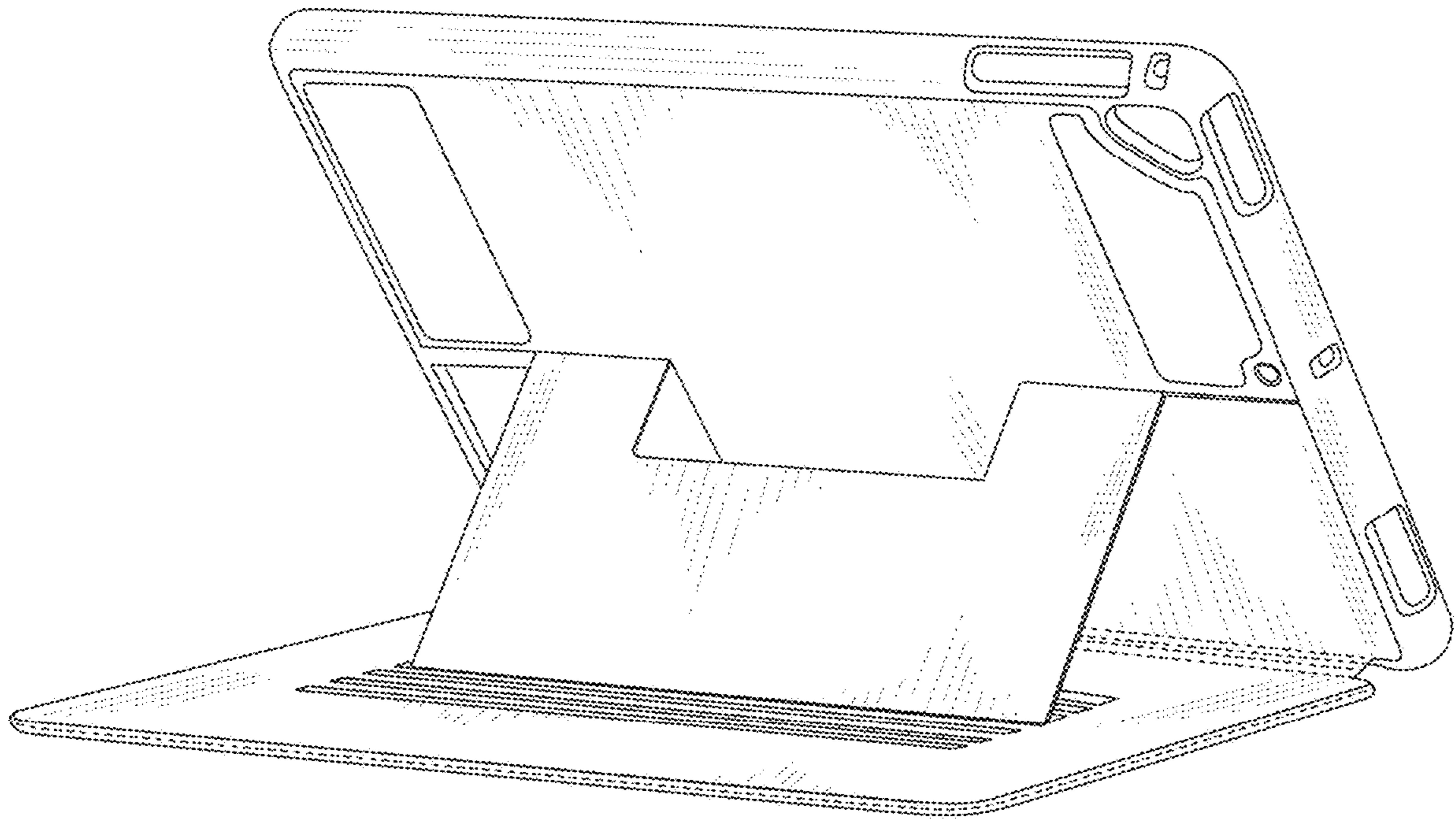


FIG. 9