



US00D872092S

(12) **United States Design Patent**
Cheng

(10) **Patent No.:** **US D872,092 S**

(45) **Date of Patent:** **** Jan. 7, 2020**

(54) **CASE WITH STRAP FOR TABLET COMPUTERS**

(71) Applicant: **Jinhua Cheng**, Anqing (CN)

(72) Inventor: **Jinhua Cheng**, Anqing (CN)

(**) Term: **15 Years**

(21) Appl. No.: **29/633,655**

(22) Filed: **Jan. 15, 2018**

(51) **LOC (12) Cl.** **14-02**

(52) **U.S. Cl.**
USPC **D14/440**

(58) **Field of Classification Search**
USPC D14/440, 250, 447; 206/45.23, 320,
206/45.2; 361/679.55; 294/25; 224/218
CPC ... G06F 1/1628; G06F 1/1626; A47B 23/044;
H04B 1/3888
See application file for complete search history.

(56) **References Cited**

U.S. PATENT DOCUMENTS

6,726,070	B2 *	4/2004	Lautner	A44C 5/0007	224/221
D492,303	S *	6/2004	Schlieffers	D14/341	
D591,801	S *	5/2009	Mak	D21/469	
D594,004	S *	6/2009	Takemasa	D14/341	
D611,467	S *	3/2010	Gou	D14/315	
D613,285	S *	4/2010	Grant	D14/341	
D626,123	S *	10/2010	Peng	D14/324	
D676,449	S *	2/2013	Probst	D14/440	
D685,376	S *	7/2013	Kim	D14/439	
D689,056	S *	9/2013	Li	D14/440	
D690,704	S *	10/2013	Padilla	D14/440	
D691,144	S *	10/2013	Peters	D14/440	
D691,146	S *	10/2013	Perez	D14/440	
D694,246	S *	11/2013	Park	D14/440	
D703,672	S *	4/2014	Kim	D14/440	
8,690,210	B1 *	4/2014	May	A45F 5/00	224/217

D705,767	S *	5/2014	Yoon	D14/250	
8,797,132	B2 *	8/2014	Childs	A45C 11/00	206/320
D712,412	S *	9/2014	Bleau	D14/440	
D721,075	S *	1/2015	Toda	D14/342	
D721,376	S *	1/2015	Lee	D14/440	
D725,659	S *	3/2015	Tussy	D14/440	
D727,917	S *	4/2015	Yeo	D14/440	
D733,154	S *	6/2015	Armstrong	D14/440	
D733,420	S *	7/2015	Archambeau	D3/217	
D741,335	S *	10/2015	Bastian	D14/440	
D747,321	S *	1/2016	London	D14/440	
D749,592	S *	2/2016	Huang	D14/440	
D752,052	S *	3/2016	Park	D14/440	
D754,666	S *	4/2016	Tiffen	D14/440	
D763,853	S *	8/2016	Pearce	D14/440	
D765,085	S *	8/2016	Moore	D14/440	
9,407,743	B1 *	8/2016	Hirshberg	H04M 1/04	
D766,249	S *	9/2016	Veltz	D14/440	
D771,030	S *	11/2016	Tussy	D14/250	
D784,350	S *	4/2017	Li	D14/440	

(Continued)

Primary Examiner — Cynthia R Underwood

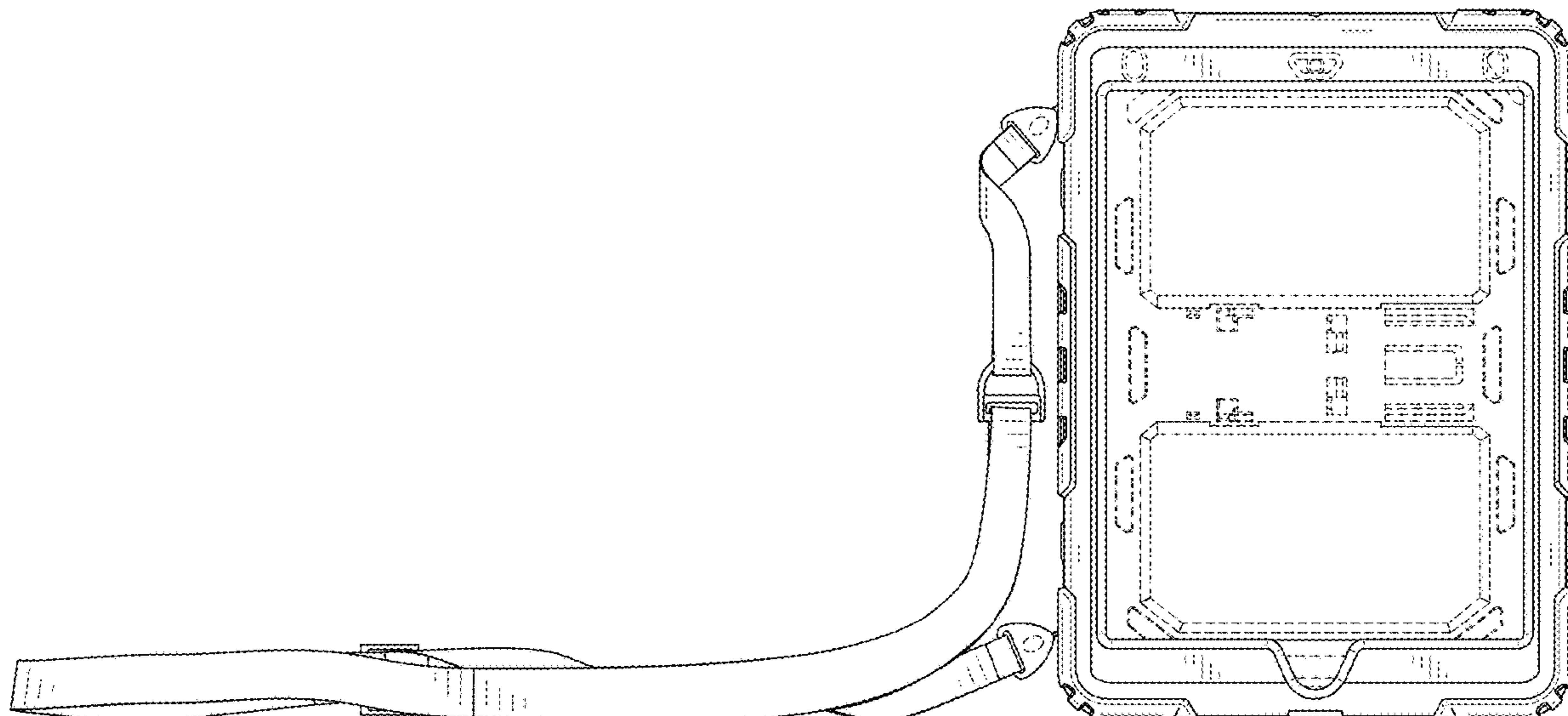
(57) **CLAIM**

The ornamental design for a case with strap for tablet computers, as shown and described.

DESCRIPTION

FIG. 1 is a front elevational view of a case with strap for tablet computers showing my new design; FIG. 2 is a rear elevational view thereof; FIG. 3 is a left side elevational view thereof; FIG. 4 is a right side elevational view thereof; FIG. 5 is a top plan view thereof; and, FIG. 6 is a bottom plan view thereof. The broken lines in the drawings illustrate portions of the case with strap for tablet computers that form no part of the claimed design.

1 Claim, 6 Drawing Sheets



(56)

References Cited

U.S. PATENT DOCUMENTS

D794,007 S * 8/2017 Zhang D14/250
 D794,625 S * 8/2017 Armstrong D14/250
 D797,106 S * 9/2017 Paolizzi D14/426
 D803,222 S * 11/2017 Cheng D14/440
 D806,083 S * 12/2017 Armstrong D14/440
 D807,366 S * 1/2018 Chen D14/440
 D817,316 S * 5/2018 Srour D14/251
 D821,405 S * 6/2018 Chen D14/440
 D830,367 S * 10/2018 Chang D14/440
 D835,624 S * 12/2018 Li D14/440
 2004/0226973 A1* 11/2004 Kao F16M 11/041
 2007/0215512 A1* 9/2007 Bellissimo A47G 23/0625
 2008/0302687 A1* 12/2008 Sirichai A45F 5/02
 2009/0194209 A1* 8/2009 De Filippis A45C 11/00
 150/107

2009/0219677 A1* 9/2009 Mori A45F 3/14
 361/679.03
 2011/0267748 A1* 11/2011 Lane A45F 5/00
 361/679.01
 2011/0309117 A1* 12/2011 Roberts A45F 5/00
 224/217
 2012/0091312 A1* 4/2012 Baker F16M 13/00
 248/682
 2014/0054910 A1* 2/2014 Kim H04B 1/385
 294/158
 2014/0152034 A1* 6/2014 Tussy F16M 13/04
 294/142
 2015/0009610 A1* 1/2015 London G06F 1/163
 361/679.03
 2015/0068934 A1* 3/2015 Armstrong A45C 11/00
 206/320
 2015/0201743 A1* 7/2015 Erickson-Davis A45F 5/00
 224/218
 2017/0045920 A1* 2/2017 Armstrong G06F 1/1669

* cited by examiner

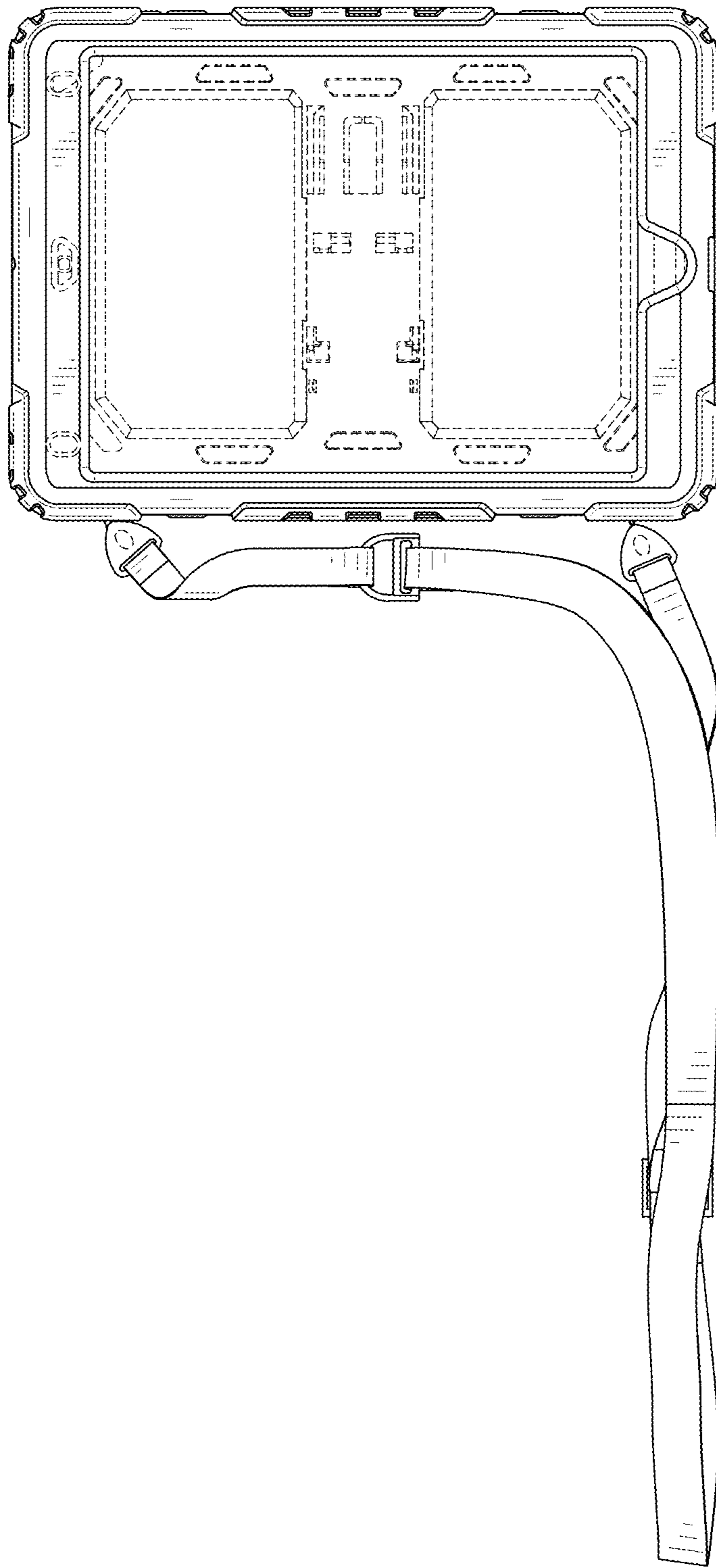


FIG. 1

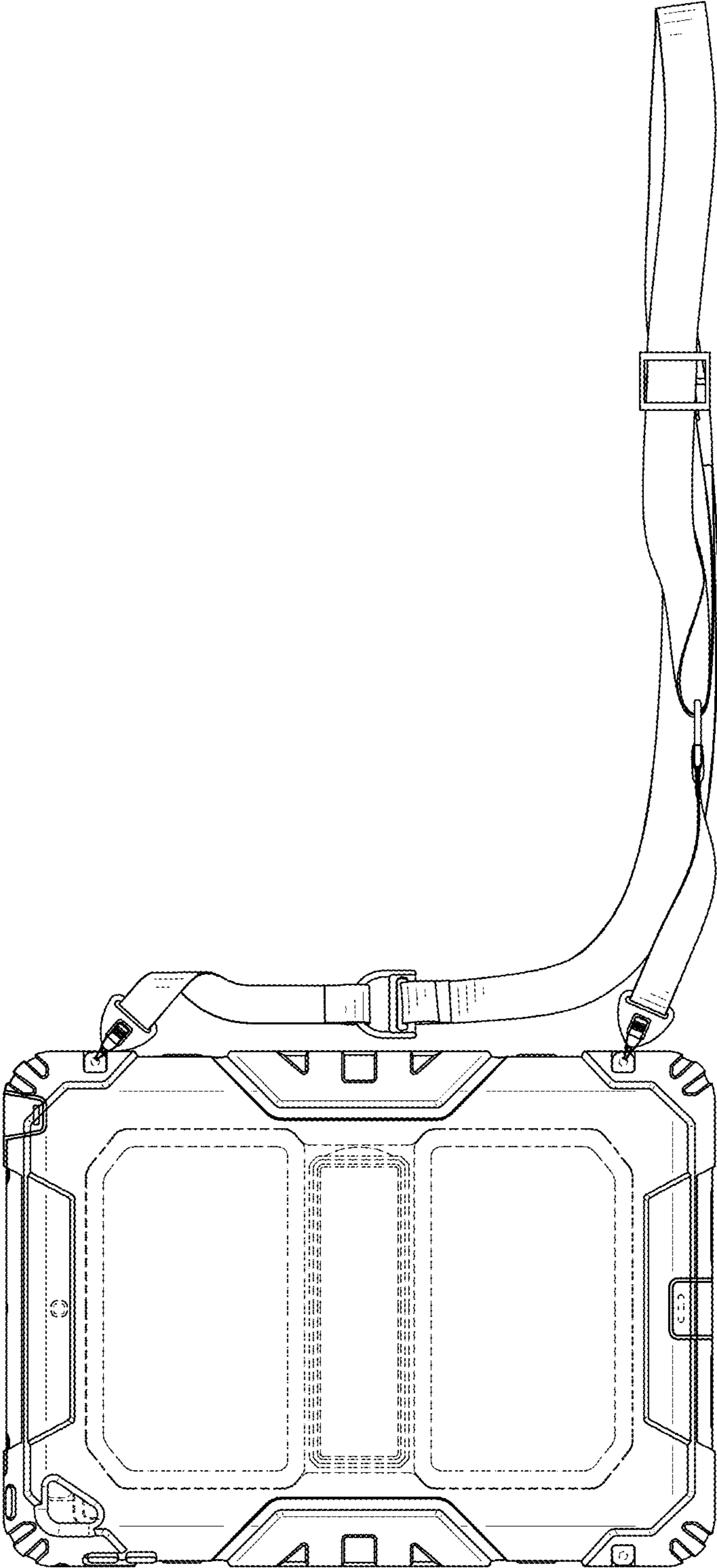


FIG. 2

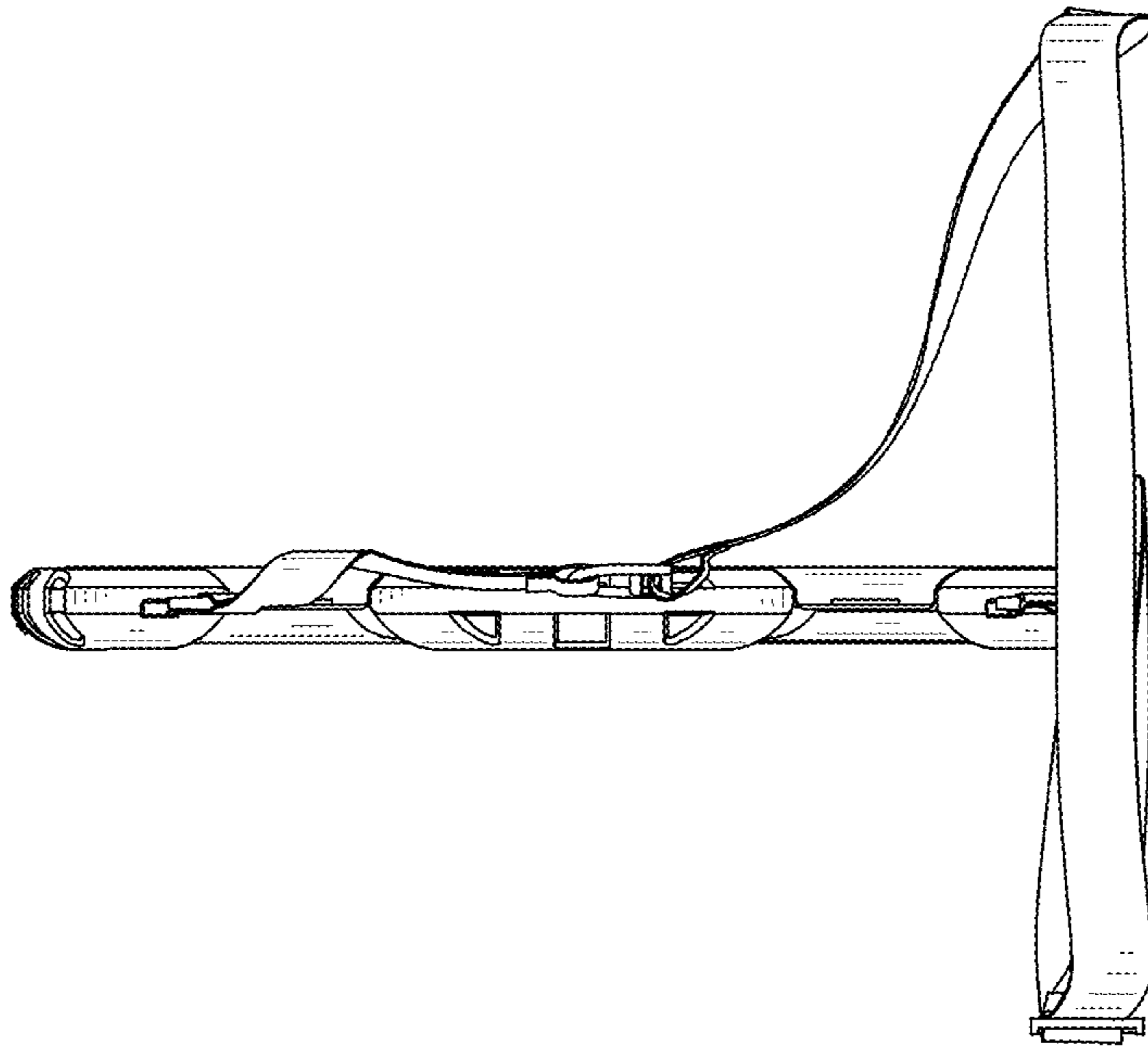


FIG. 3

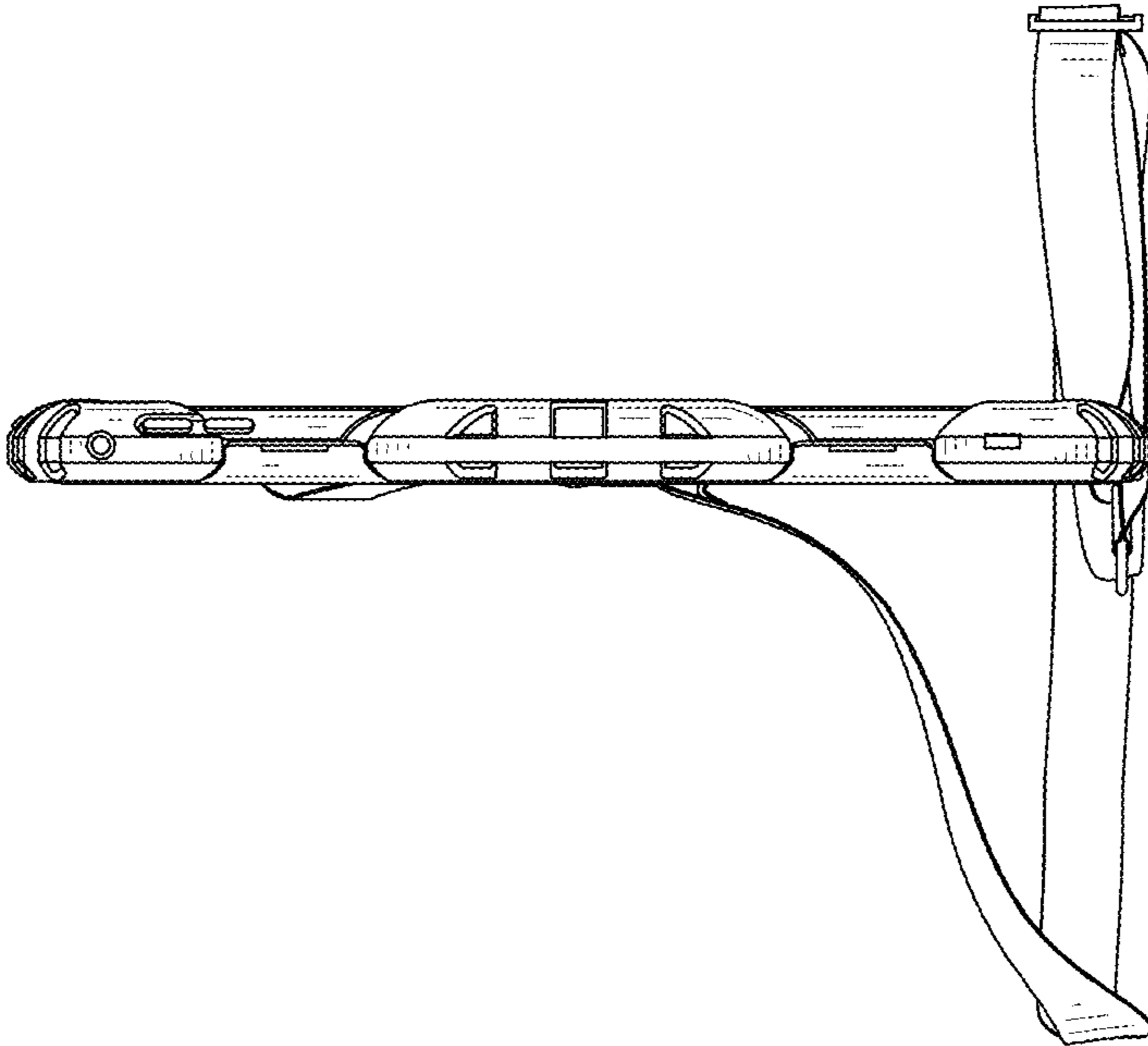


FIG. 4

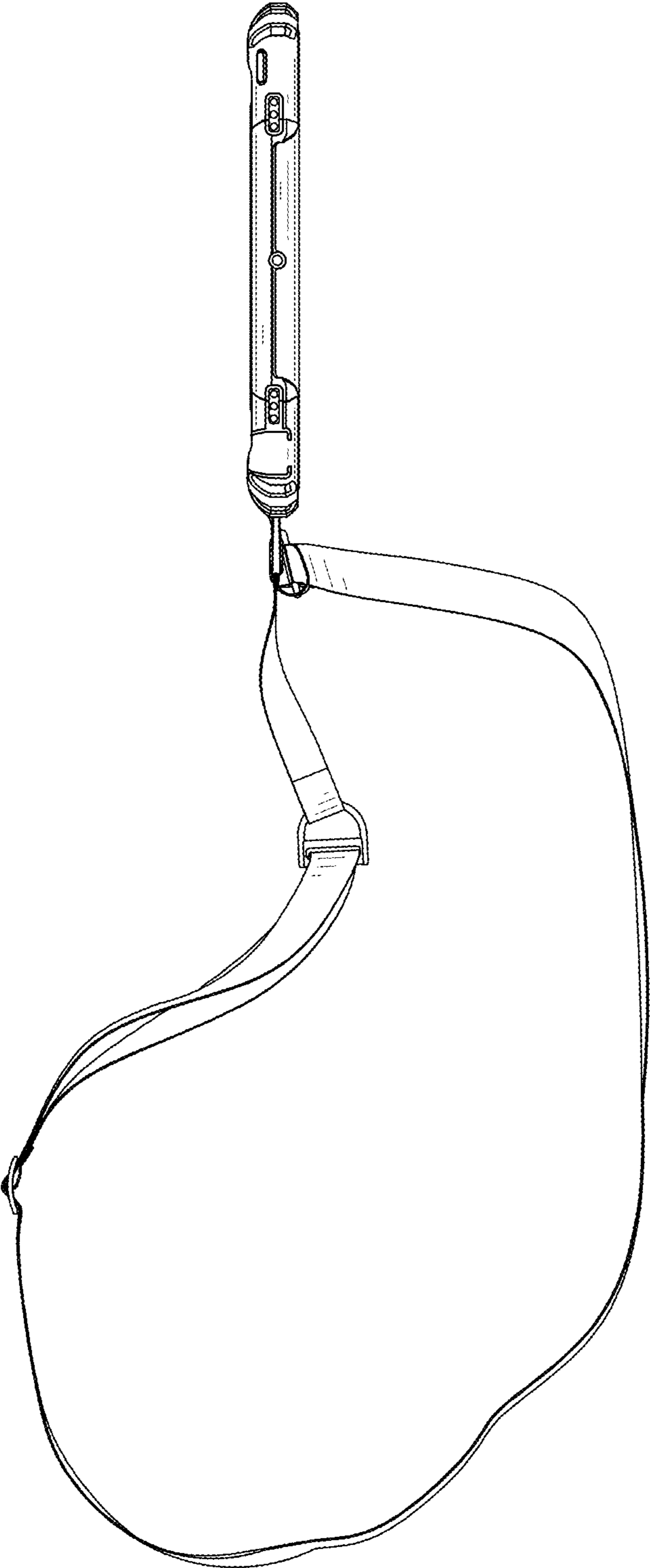


FIG. 5

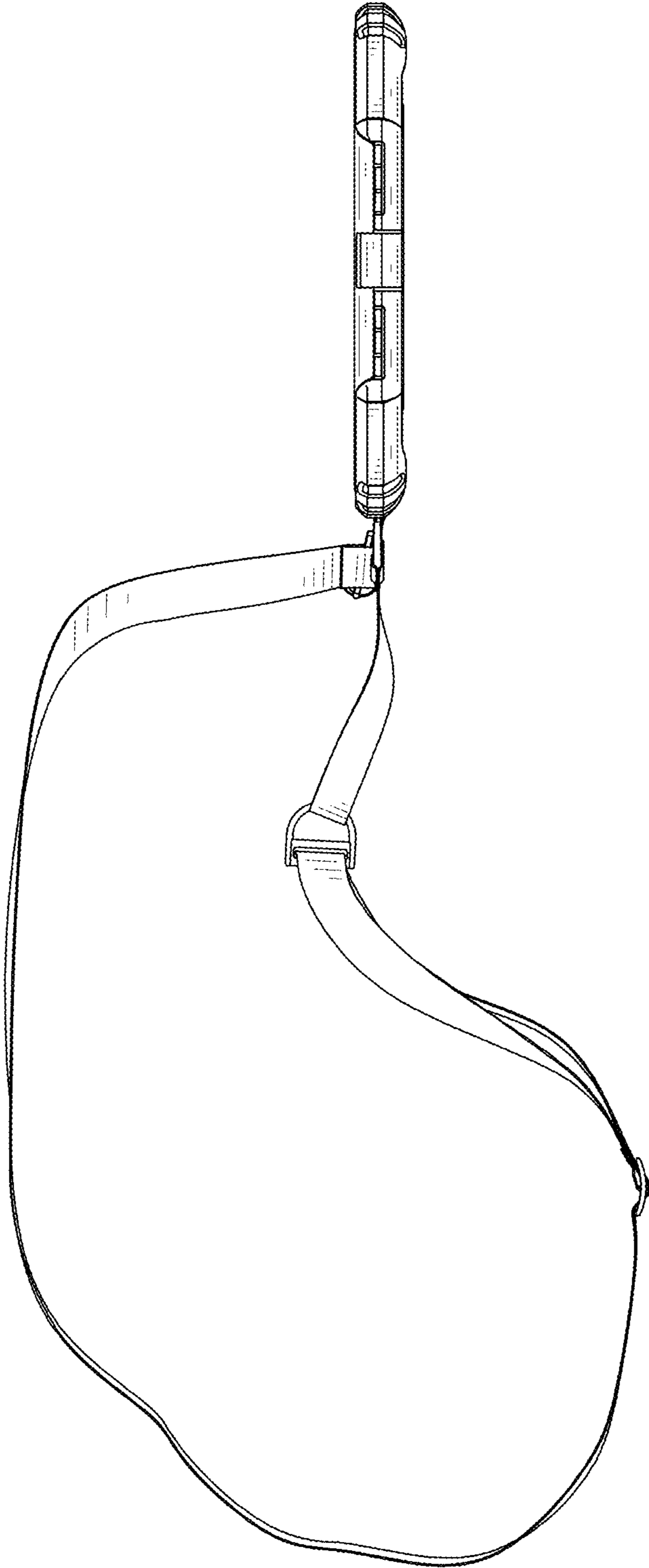


FIG. 6