



US00D872091S

(12) **United States Design Patent**
Lu

(10) **Patent No.:** **US D872,091 S**
(45) **Date of Patent:** **** Jan. 7, 2020**

(54) **TABLET COVER**

(71) Applicant: **JiangWen Lu**, Quanzhou (CN)

(72) Inventor: **Jiangwen Lu**, Fujian (CN)

(**) Term: **15 Years**

(21) Appl. No.: **29/627,832**

(22) Filed: **Nov. 30, 2017**

(51) **LOC (12) Cl.** **14-02**

(52) **U.S. Cl.**
USPC **D14/440**

(58) **Field of Classification Search**
USPC 206/320; D14/440, 447, 250;
361/679.55; 294/25; 224/218
See application file for complete search history.

D806,080 S *	12/2017	Chen	D14/440
D807,366 S *	1/2018	Chen	D14/440
D807,369 S *	1/2018	Chen	D14/440
D808,973 S *	1/2018	Chen	D14/440
D811,412 S *	2/2018	McCurdy	D14/440
D812,620 S *	3/2018	Cheng	D14/440
D821,405 S *	6/2018	Chen	D14/440
D843,377 S *	3/2019	Tang	D14/440
2012/0075799 A1 *	3/2012	Pollex	F16M 11/041 361/679.56
2017/0045920 A1 *	2/2017	Armstrong	G06F 1/1669

* cited by examiner

Primary Examiner — Cynthia R Underwood

(57) **CLAIM**

The ornamental design for a tablet cover, as shown and described.

(56) **References Cited**

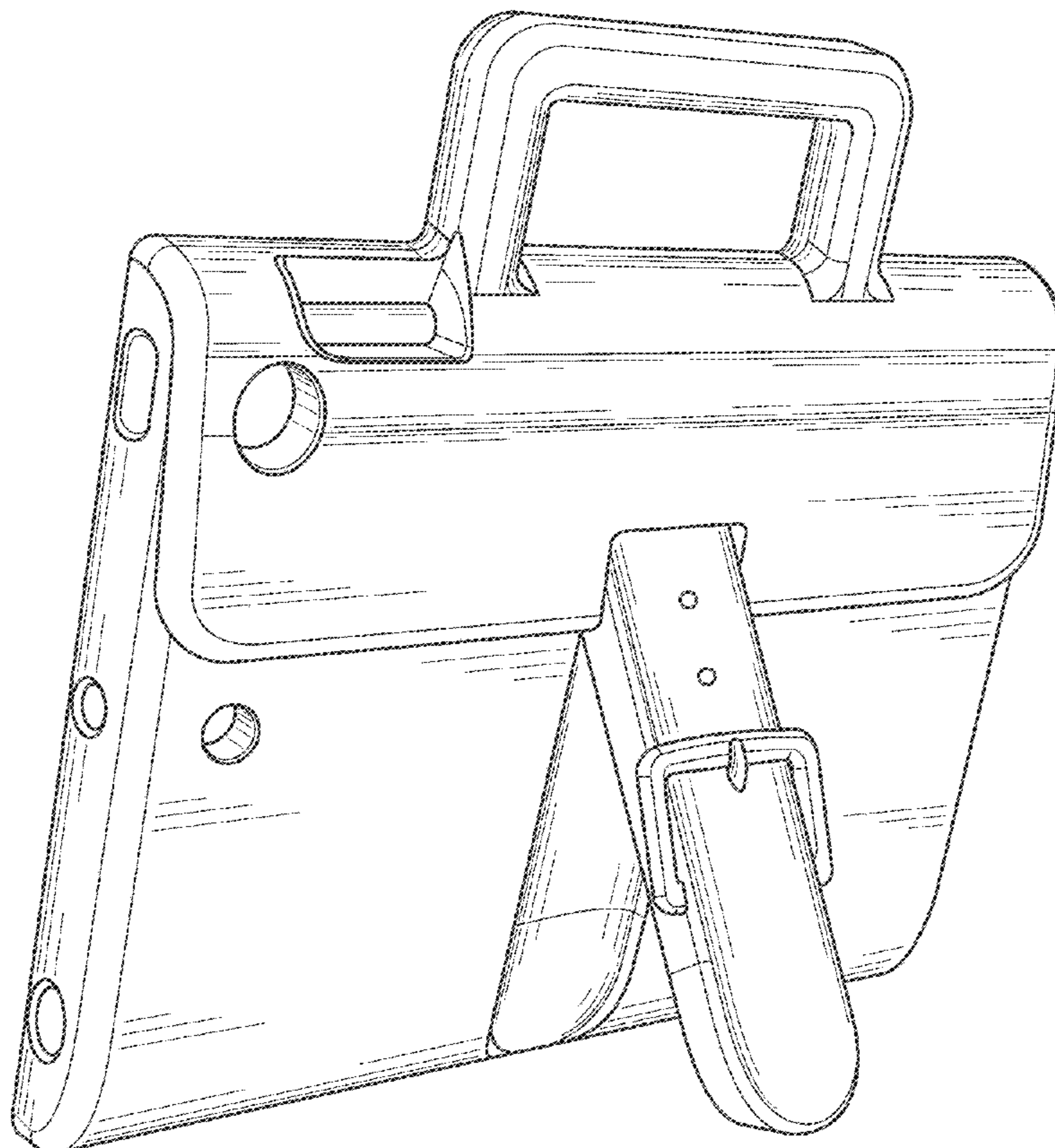
U.S. PATENT DOCUMENTS

D689,056 S *	9/2013	Li	D14/440
D690,704 S *	10/2013	Padilla	D14/440
D727,917 S *	4/2015	Yeo	D14/440
D733,154 S *	6/2015	Armstrong	D14/440
D752,052 S *	3/2016	Park	D14/440
D763,853 S *	8/2016	Pearce	D14/440
D766,249 S *	9/2016	Veltz	D14/440
D784,350 S *	4/2017	Li	D14/440
D790,550 S *	6/2017	Chen	D14/440
D803,221 S *	11/2017	Guo	D14/440

DESCRIPTION

FIG. 1 is a perspective view of the tablet cover showing my new design;
FIG. 2 is a front view thereof;
FIG. 3 is a rear view thereof;
FIG. 4 is a left view thereof;
FIG. 5 is a right view thereof;
FIG. 6 is a top view thereof; and,
FIG. 7 is a bottom view thereof.

1 Claim, 7 Drawing Sheets



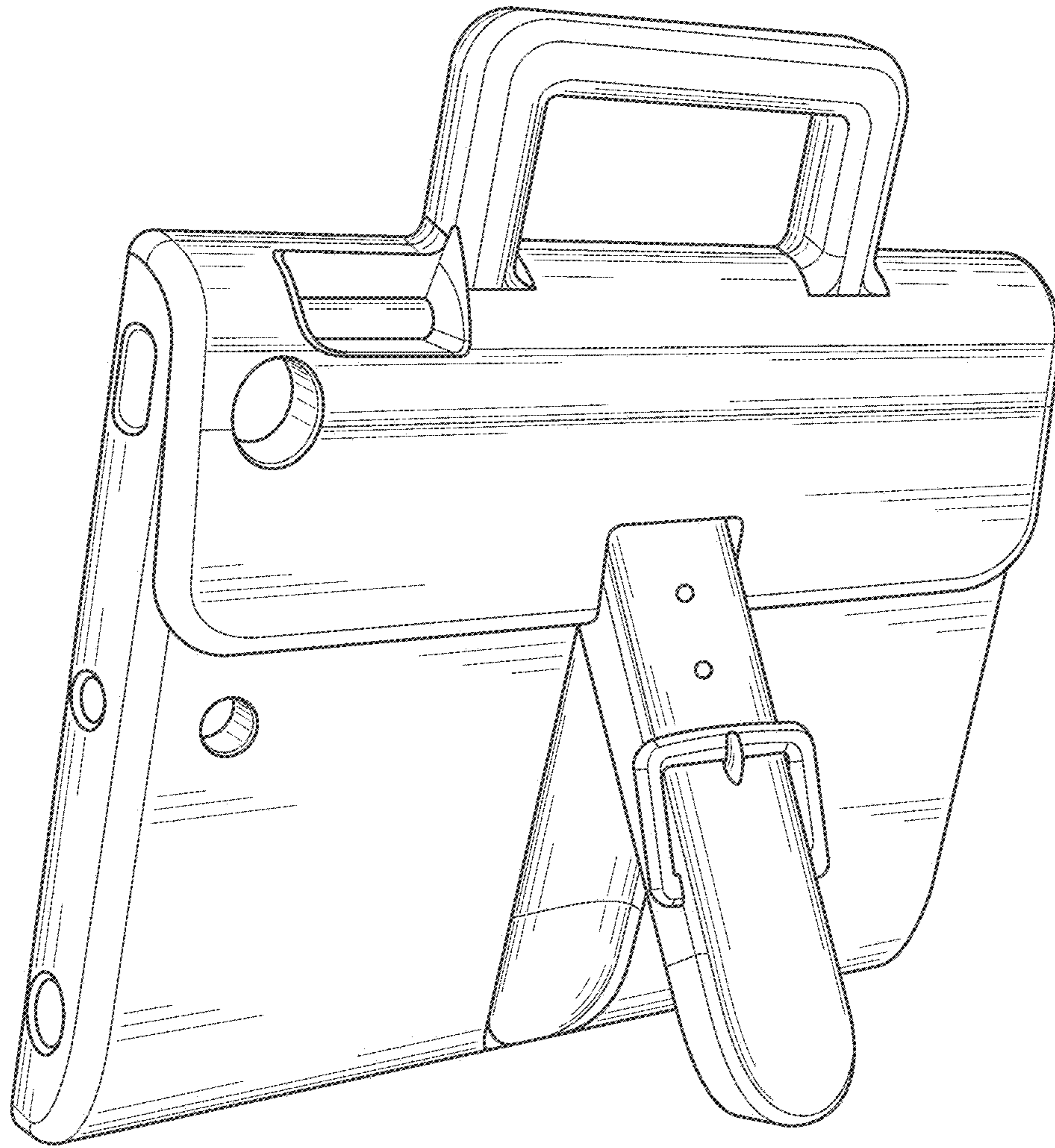


Fig. 1

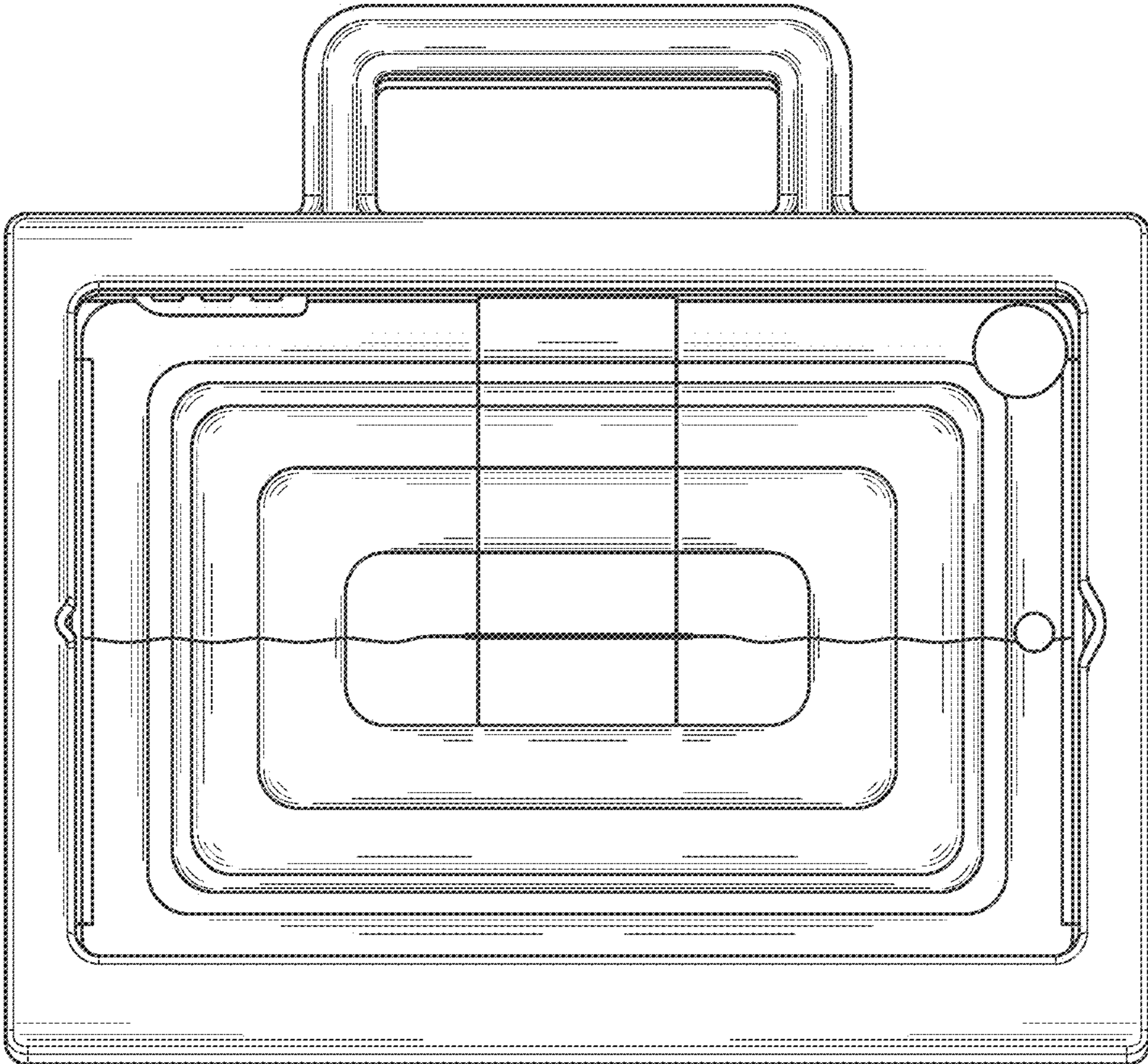


Fig. 2

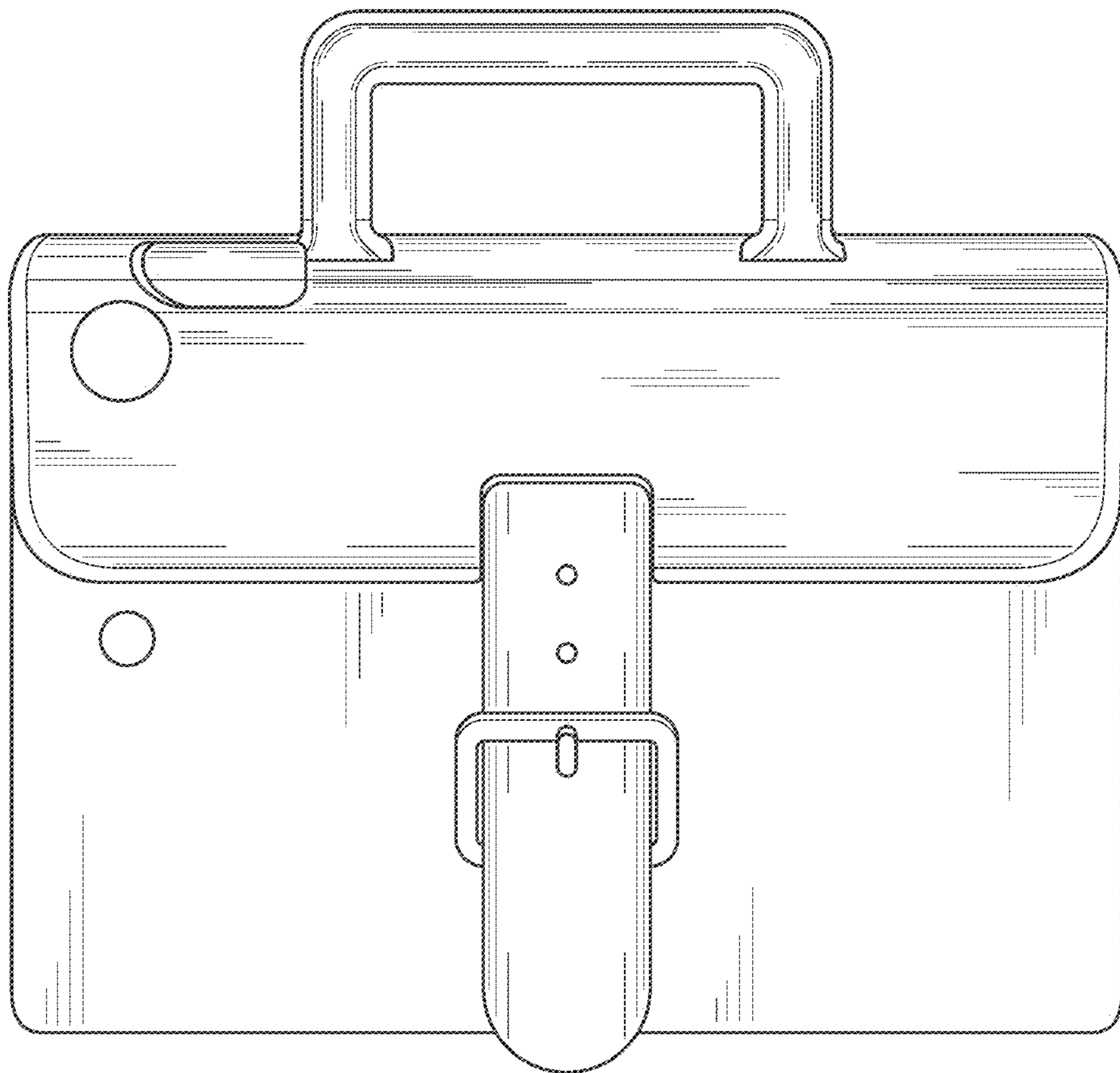


Fig. 3

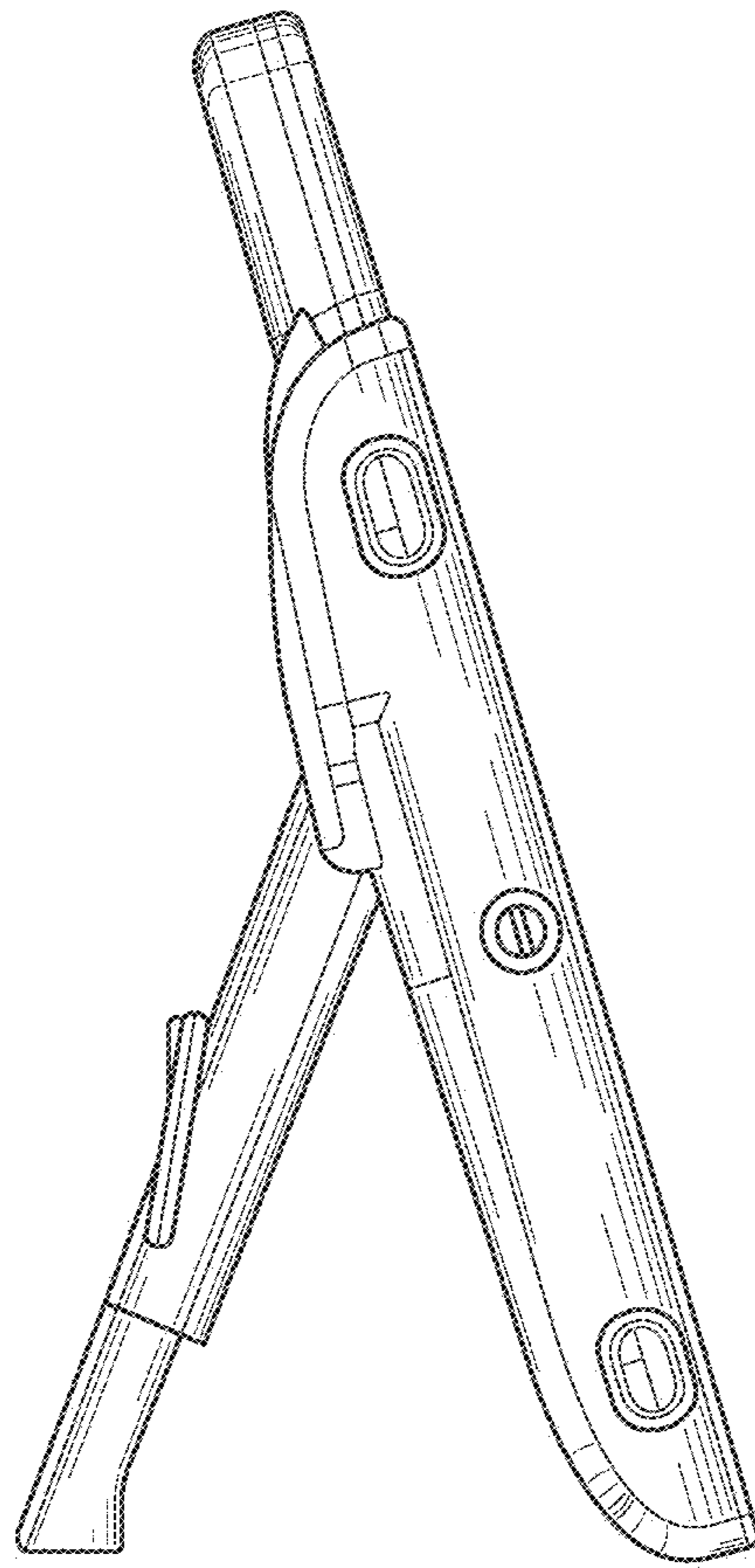


Fig. 4

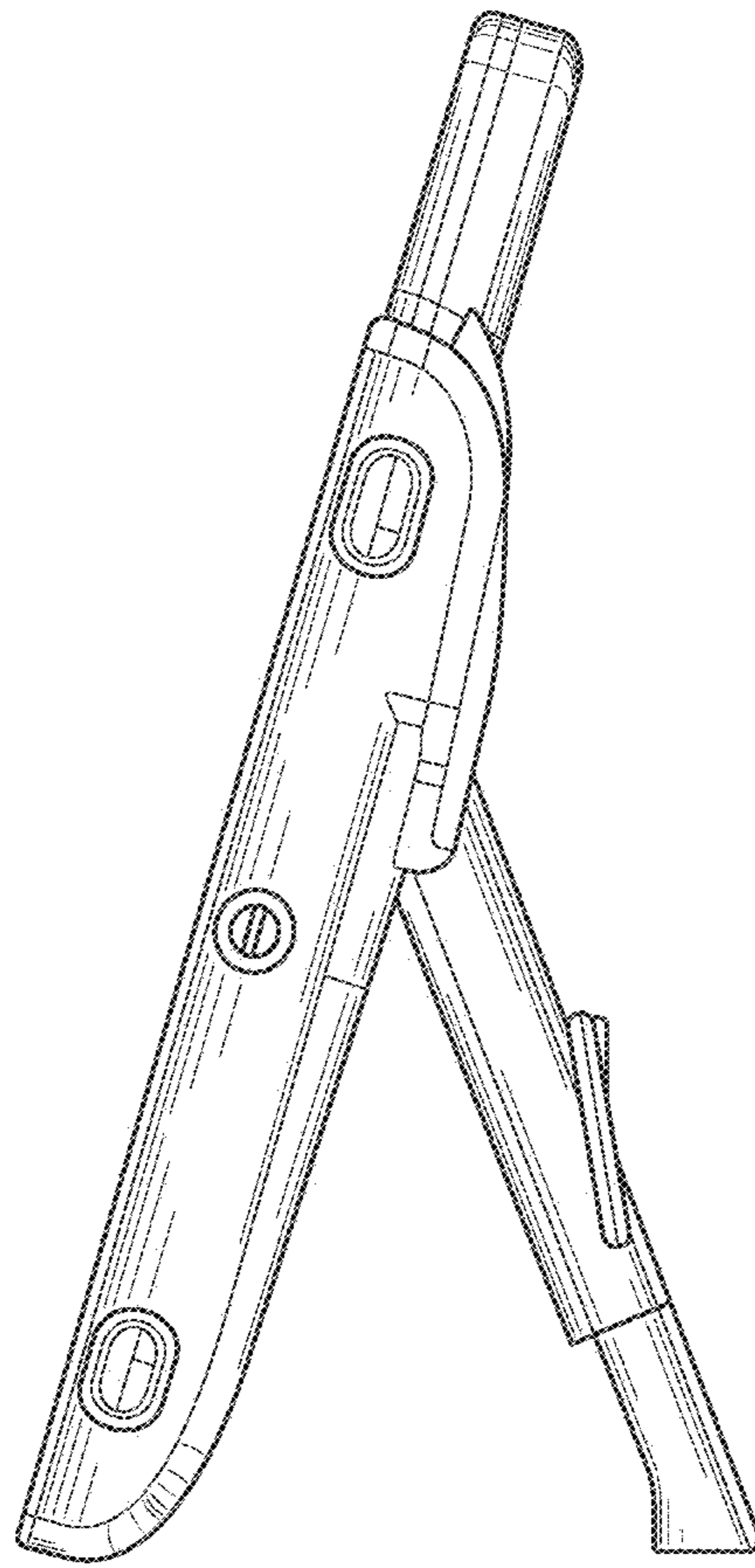


Fig. 5

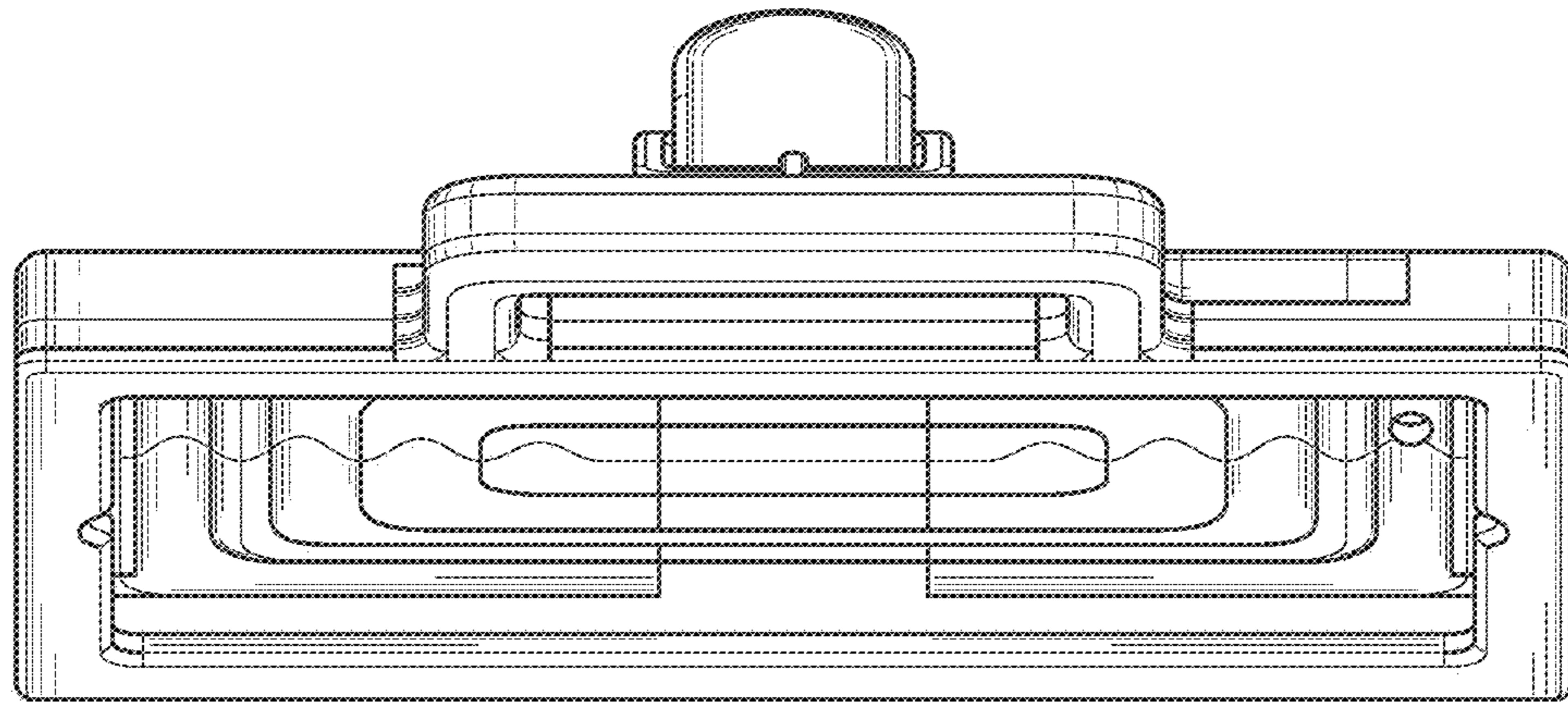


Fig. 6

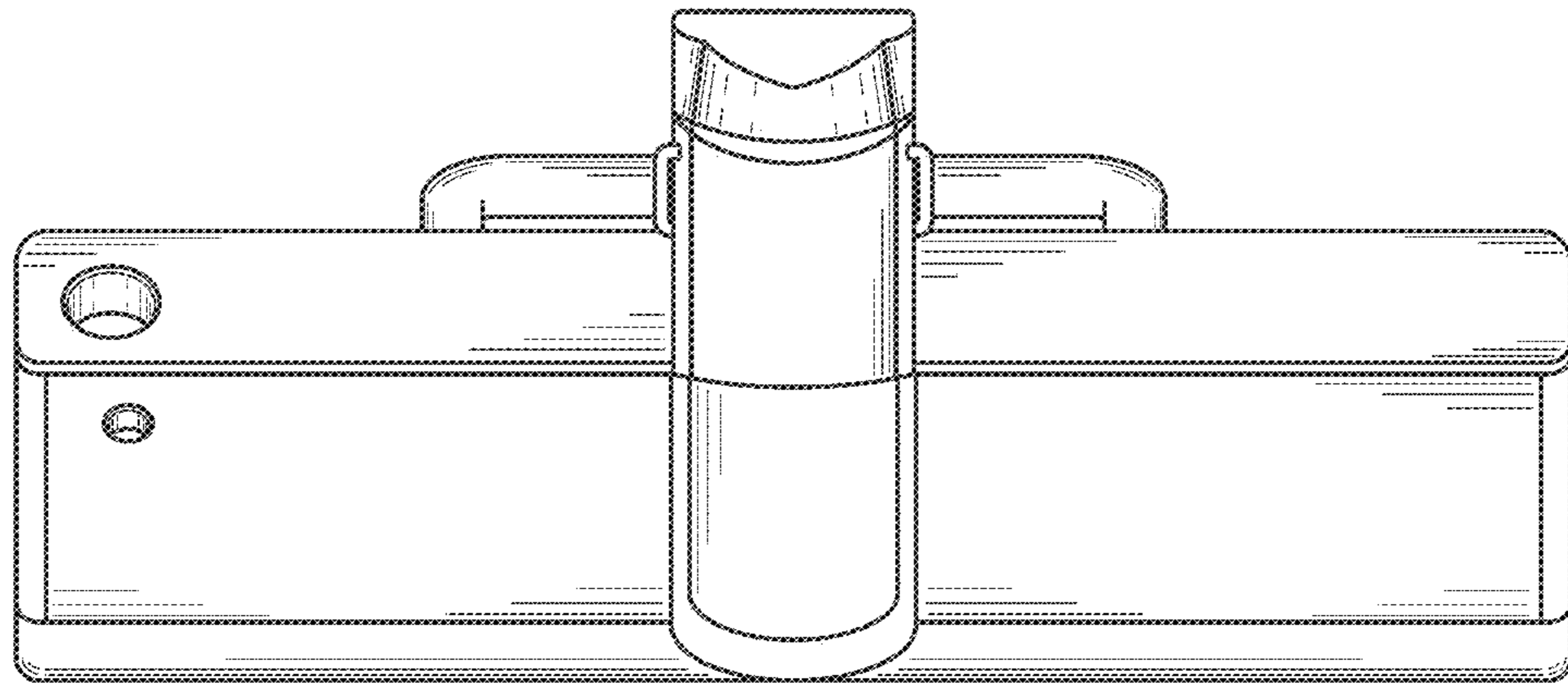


Fig. 7