



US00D872090S

(12) **United States Design Patent**
Widiaman et al.

(10) **Patent No.:** **US D872,090 S**
(45) **Date of Patent:** **** Jan. 7, 2020**

(54) **CONNECTOR**

(71) Applicant: **Hewlett-Packard Development Company, L.P.**, Houston, TX (US)

(72) Inventors: **Rudy Widiaman**, Houston, TX (US); **Paul L. Drew**, Houston, TX (US); **Eric Chen**, Houston, TX (US)

(73) Assignee: **Hewlett-Packard Development Company, L.P.**, Spring, TX (US)

(**) Term: **15 Years**

(21) Appl. No.: **29/639,988**

(22) Filed: **Mar. 9, 2018**

(51) **LOC (12) Cl.** **14-02**

(52) **U.S. Cl.**
USPC **D14/433**

(58) **Field of Classification Search**
USPC D14/240, 242, 356, 358, 363, 365, 367, D14/370, 432-437, 439, 498, 125, 366, D14/168, 496; D13/147, 164, 123, 133, D13/146, 110, 199, 103, 162, 159, 160, D13/184; 361/683, 684, 686, 724, 735, 361/737, 752; D18/40
CPC H01R 25/006; H01R 27/02; H01R 31/005; G06F 13/4022; G06F 13/382; G06F 1/1632; G06F 1/1684; G06F 1/20; G06F 1/1607
See application file for complete search history.

(56) **References Cited**

U.S. PATENT DOCUMENTS

D416,869 S	*	11/1999	Tsai	D13/153
D596,626 S		7/2009	Andre et al.		
D628,537 S	*	12/2010	Nagata	D13/147
D637,984 S		5/2011	Willard		
D637,985 S		5/2011	Andresen		
D682,835 S	*	5/2013	Daniel	D14/433
D702,686 S	*	4/2014	Gerber	D14/433

D711,383 S	*	8/2014	Lam	D14/433
D727,360 S		4/2015	Peng et al.		
D746,822 S	*	1/2016	Park	D14/433
D754,751 S		4/2016	Kusano et al.		
D766,218 S		9/2016	Yang et al.		
D778,250 S		2/2017	Owens		
D785,633 S	*	5/2017	Komuro	D14/433
D789,352 S		6/2017	Kong		

(Continued)

Primary Examiner — Austin Murphy

(74) *Attorney, Agent, or Firm* — HP Inc. Patent Department

(57) **CLAIM**

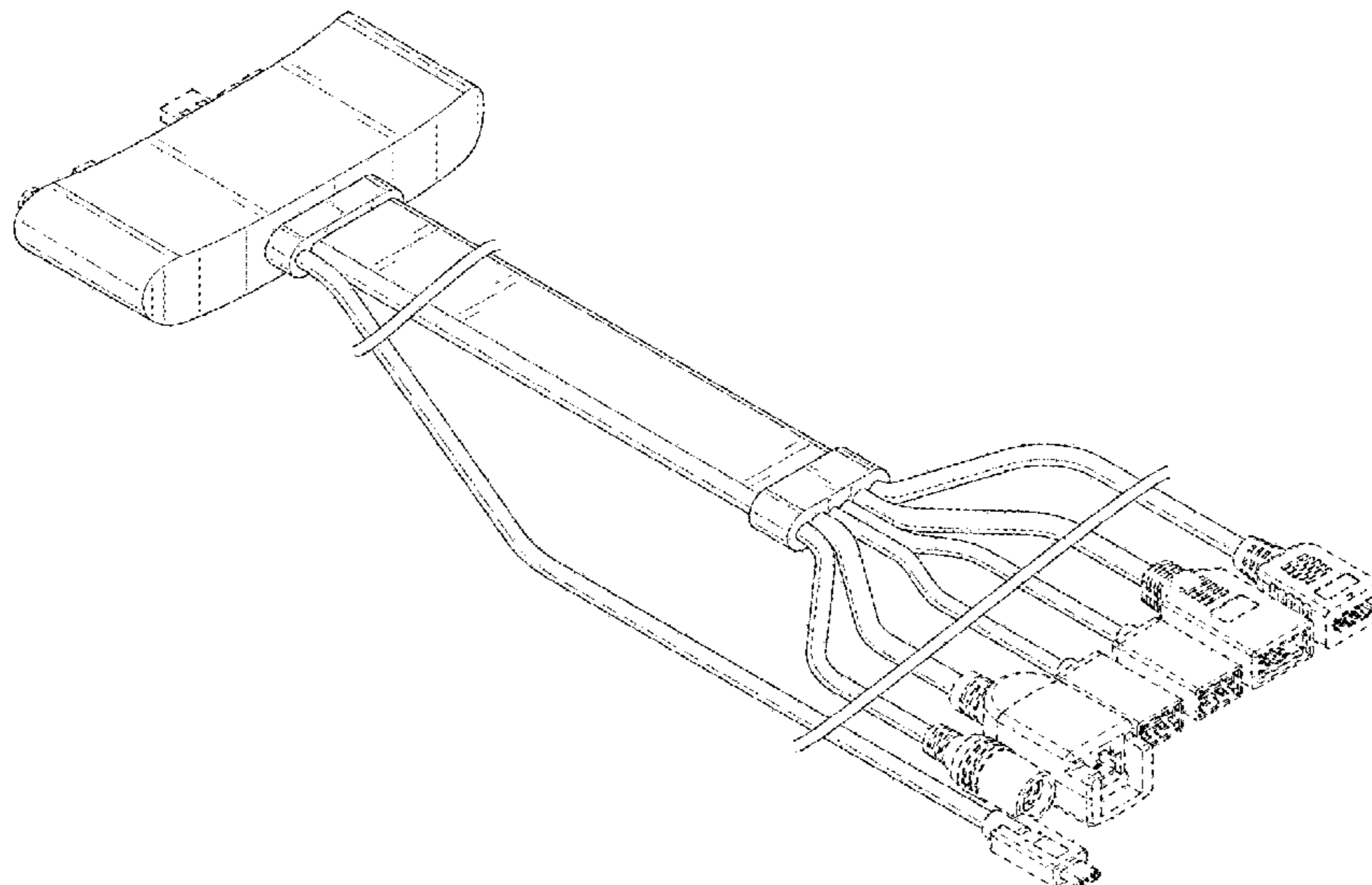
The ornamental design for a connector, as shown and described.

DESCRIPTION

FIG. 1 is a top, front, right-side perspective view of a connector in accordance with our new design;
FIG. 2 is a front elevational view of the connector shown in FIG. 1;
FIG. 3 is a rear elevational view of the connector shown in FIG. 1;
FIG. 4 is a right-side elevational view of the connector shown in FIG. 1;
FIG. 5 is a left-side elevational view of the connector shown in FIG. 1;
FIG. 6 is a top plan view of the connector shown in FIG. 1; and,
FIG. 7 is a bottom plan view of the connector shown in FIG. 1.

The broken lines immediately adjacent the shaded area represent the bounds of the claimed design while all other broken lines are directed to environment and are for illustrative purposes only; the broken lines form no part of the claimed design. The connector is shown with a symbolic break in length. The break lines and the appearance of any portion of the article between the break lines form no part of the claimed design.

1 Claim, 7 Drawing Sheets



(56)

References Cited

U.S. PATENT DOCUMENTS

D809,943 S	2/2018	Jacoby et al.	
D812,130 S	3/2018	Chen	
D832,263 S *	10/2018	Chen	D14/433
D835,109 S *	12/2018	Chen	D14/433
D851,645 S *	6/2019	Huang	D14/433
D854,017 S *	7/2019	Claudepierre	D14/433

* cited by examiner

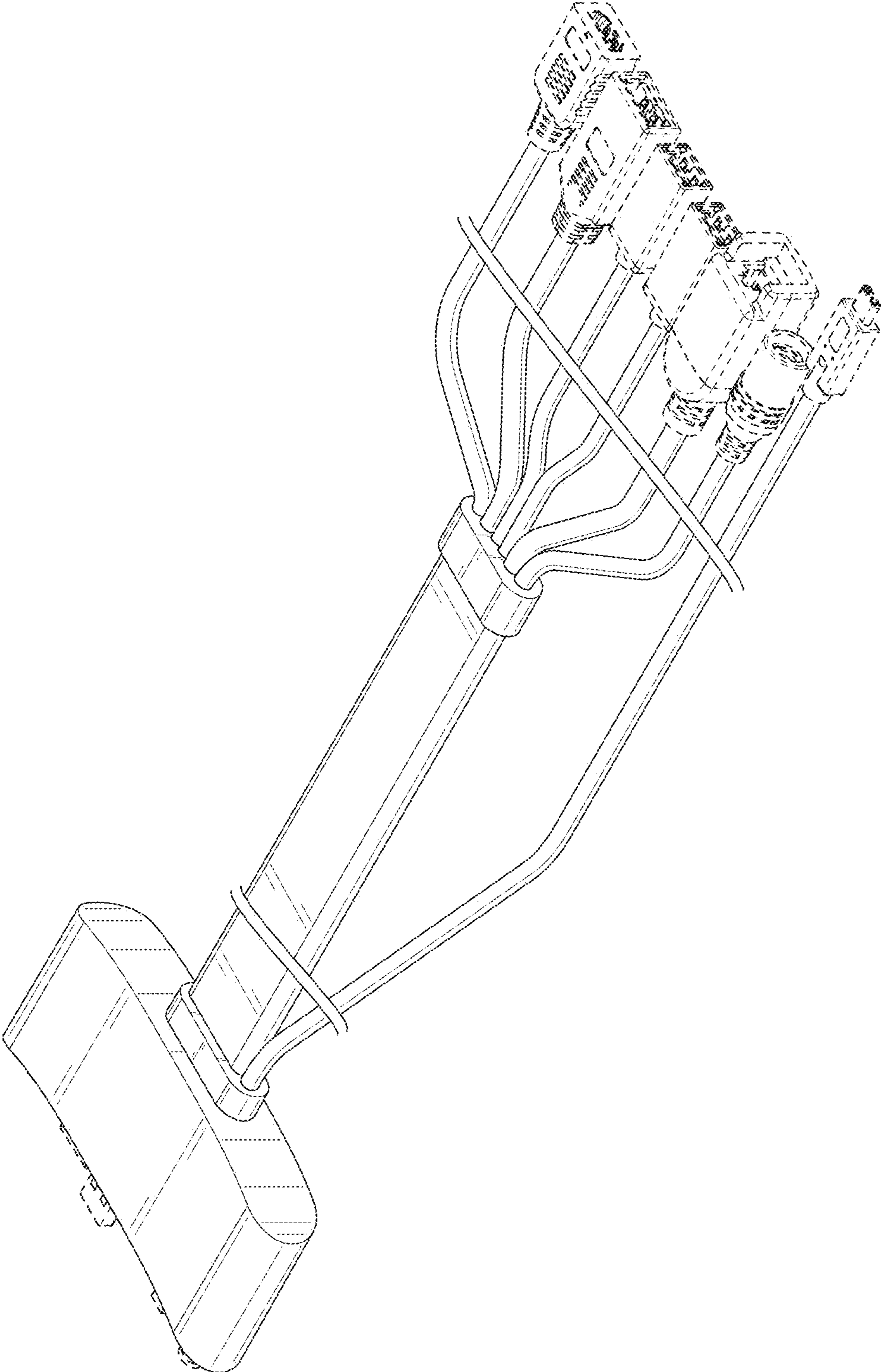


FIG. 1

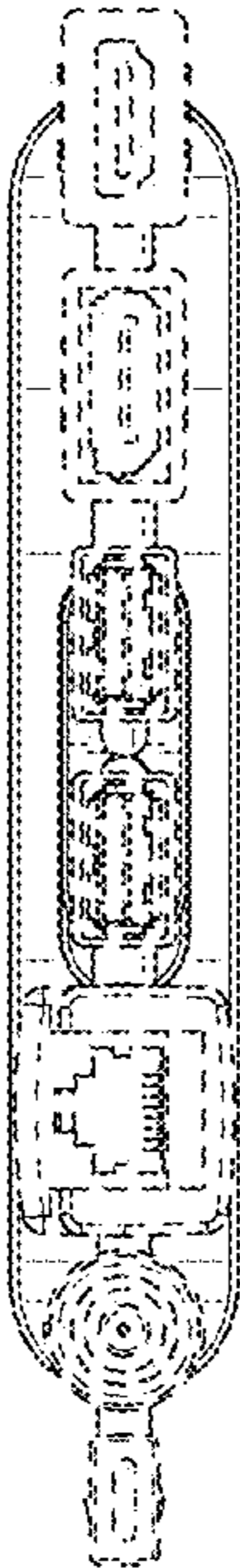


FIG. 2

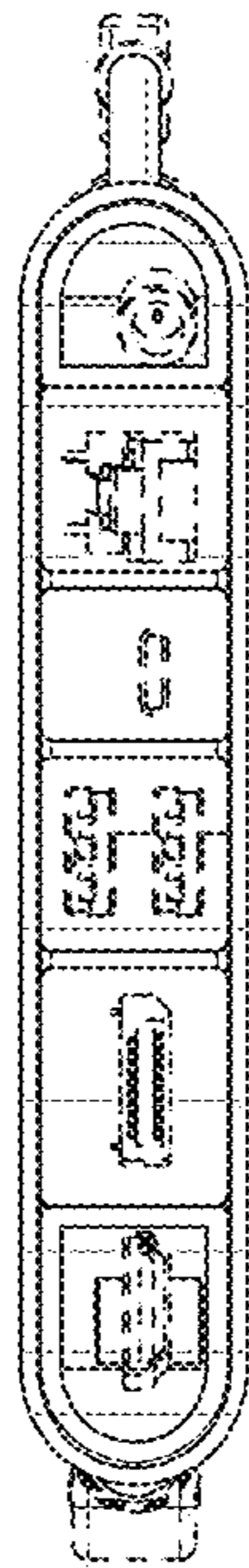


FIG. 3

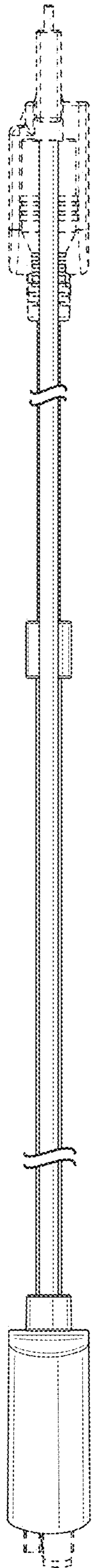


FIG. 4

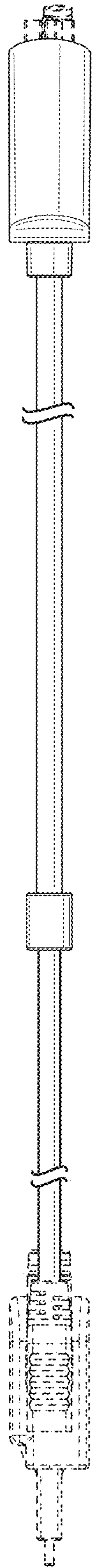


FIG. 5

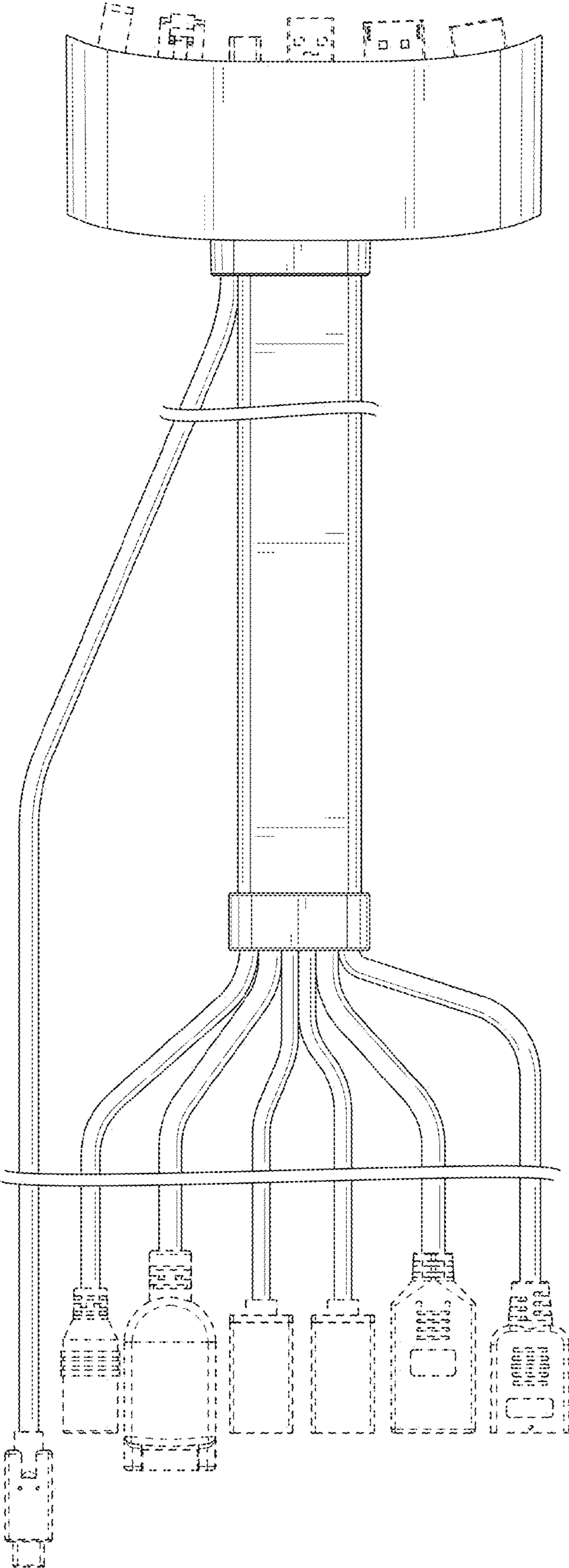


FIG. 6

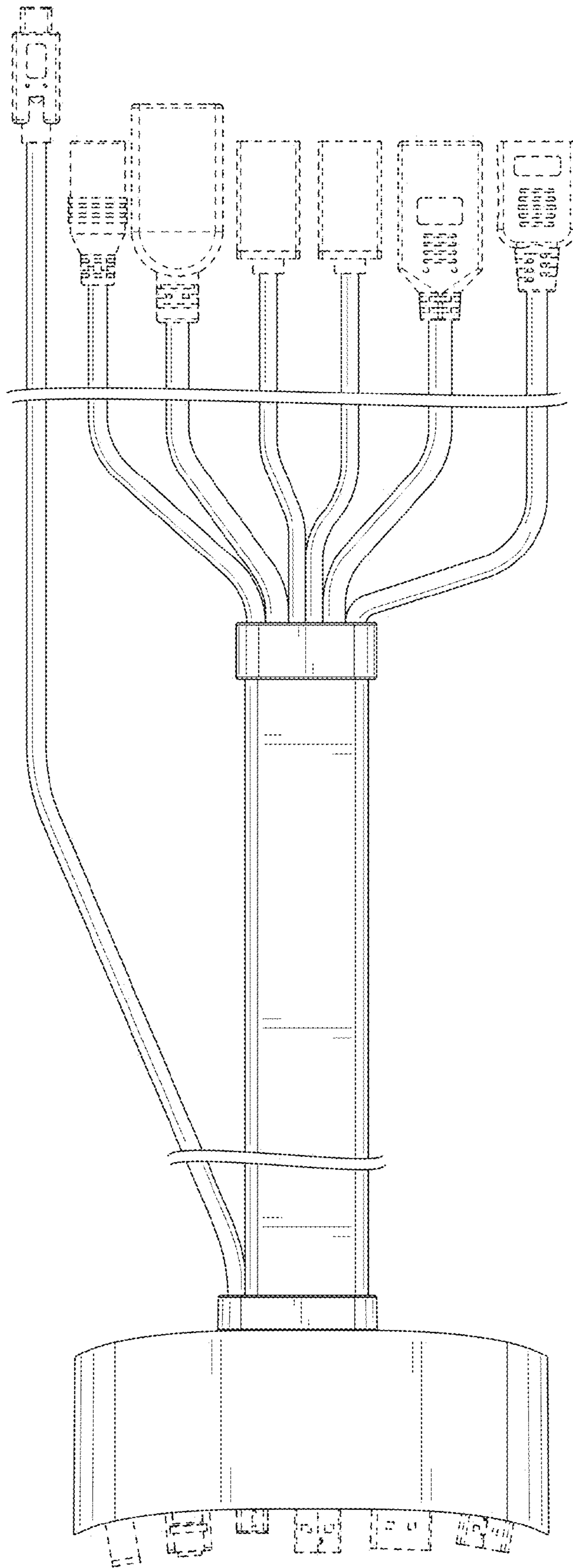


FIG. 7