



US00D872089S

(12) **United States Design Patent**  
**Park et al.**

(10) **Patent No.:** **US D872,089 S**

(45) **Date of Patent:** **\*\* Jan. 7, 2020**

(54) **COMPUTER MOUSE**

(71) Applicant: **LG ELECTRONICS INC.**, Seoul (KR)

(72) Inventors: **Seongyeong Park**, Seoul (KR); **Gangho Woo**, Seoul (KR); **Nari Lee**, Seoul (KR)

(73) Assignee: **LG Electronics Inc.**, Seoul (KR)

(\*\*) Term: **15 Years**

(21) Appl. No.: **35/506,159**

(22) Filed: **May 31, 2018**

(80) **Hague Agreement Data**

Int. Filing Date: **May 31, 2018**  
Int. Reg. No.: **DM/103175**  
Int. Reg. Date: **May 31, 2018**  
Int. Reg. Pub. Date: **Nov. 30, 2018**

(51) **LOC (12) Cl.** ..... **14-02**

(52) **U.S. Cl.**  
USPC ..... **D14/408**

(58) **Field of Classification Search**  
USPC ..... D14/402–411, 356, 388, 389, 383–385, D14/417, 426  
CPC ..... G06F 3/03543; G06F 2203/0333; G06F 3/039; G06F 3/038; G06F 2203/0384  
See application file for complete search history.

(56) **References Cited**

U.S. PATENT DOCUMENTS

D591,748 S \* 5/2009 Hu ..... D14/402  
D651,604 S \* 1/2012 Fischer ..... D14/408  
D657,359 S \* 4/2012 Kujawski ..... D14/402  
D658,650 S \* 5/2012 Kujawski ..... D14/402  
D667,009 S \* 9/2012 Kujawski ..... D14/408  
D672,753 S \* 12/2012 Kadivar ..... D14/218  
D676,849 S \* 2/2013 Kujawski ..... D14/408  
D678,631 S \* 3/2013 Paculdo ..... D30/160  
D688,243 S \* 8/2013 Widiaman ..... D14/408

D743,405 S \* 11/2015 Woods ..... D14/440  
D753,659 S \* 4/2016 Schoeck ..... D14/407  
D757,728 S \* 5/2016 Schoeck ..... D14/407  
D766,242 S \* 9/2016 Moon ..... D14/407

(Continued)

FOREIGN PATENT DOCUMENTS

CN 305010090 \* 1/2019  
CN 305269799 \* 7/2019

(Continued)

OTHER PUBLICATIONS

Apple Magic Mouse 2 review:, announced Oct. 20, 2015 [online], [retrieved Aug. 26, 2019]. Available from Internet, URL: <https://www.macworld.com/article/2994798/apple-magic-mouse-2-review-mouse-unable-to-conjure-up-any-innovation.html> (Year: 2015).\*

(Continued)

*Primary Examiner* — Barbara Fox  
*Assistant Examiner* — Dana K Weiland  
(74) *Attorney, Agent, or Firm* — Birch, Stewart, Kolasch & Birch, LLP

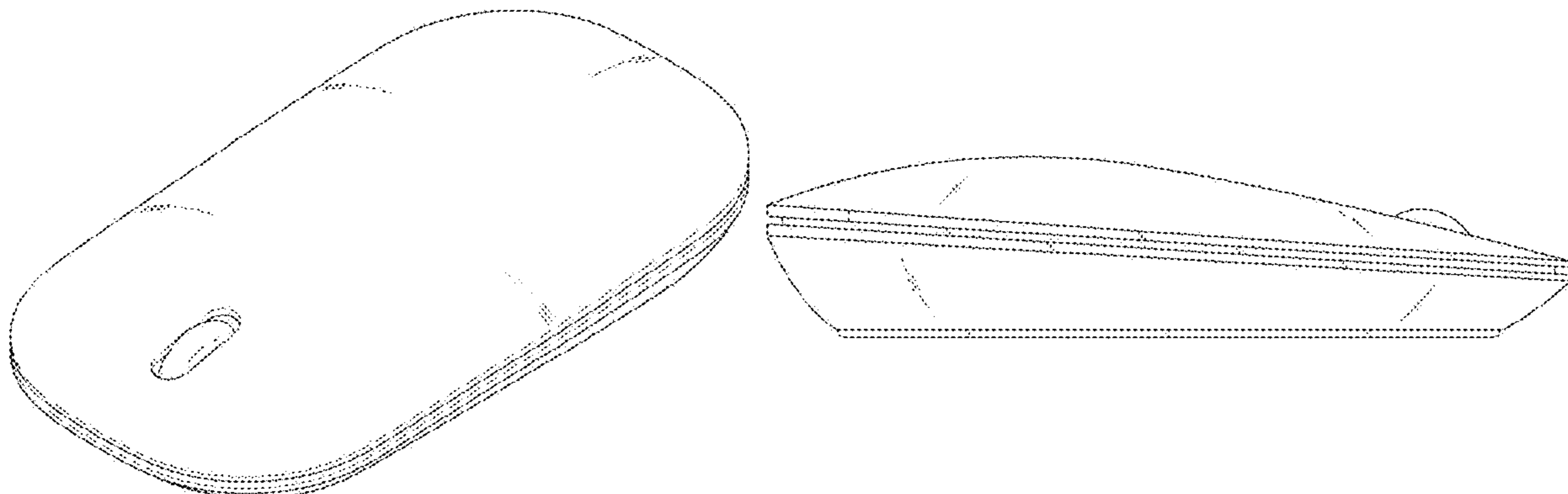
(57) **CLAIM**

The ornamental design for a computer mouse, as shown and described.

**DESCRIPTION**

1. Computer mouse  
1.1 is a front perspective view of a computer mouse showing the new design;  
1.2 is a front view thereof;  
1.3 is a back view thereof;  
1.4 is a left view thereof, where the right view is a mirror image;  
1.5 is a top view thereof; and  
1.6 is a bottom view thereof.  
The broken lines depict portions of the computer mouse that form no part of the claimed design.

**1 Claim, 6 Drawing Sheets**



(56)

**References Cited**

U.S. PATENT DOCUMENTS

D782,480 S \* 3/2017 Nalbandian ..... D14/408  
D787,747 S \* 5/2017 King ..... D28/57  
D803,838 S \* 11/2017 Raken ..... D14/408  
D816,675 S \* 5/2018 Kaiya ..... D14/402  
D824,907 S \* 8/2018 Oh ..... D14/408  
D831,657 S \* 10/2018 Shim ..... D14/435  
2013/0169424 A1 \* 7/2013 Kujawski ..... G06F 3/03543  
340/407.2  
2019/0042007 A1 \* 2/2019 Lu ..... G06F 3/03543

FOREIGN PATENT DOCUMENTS

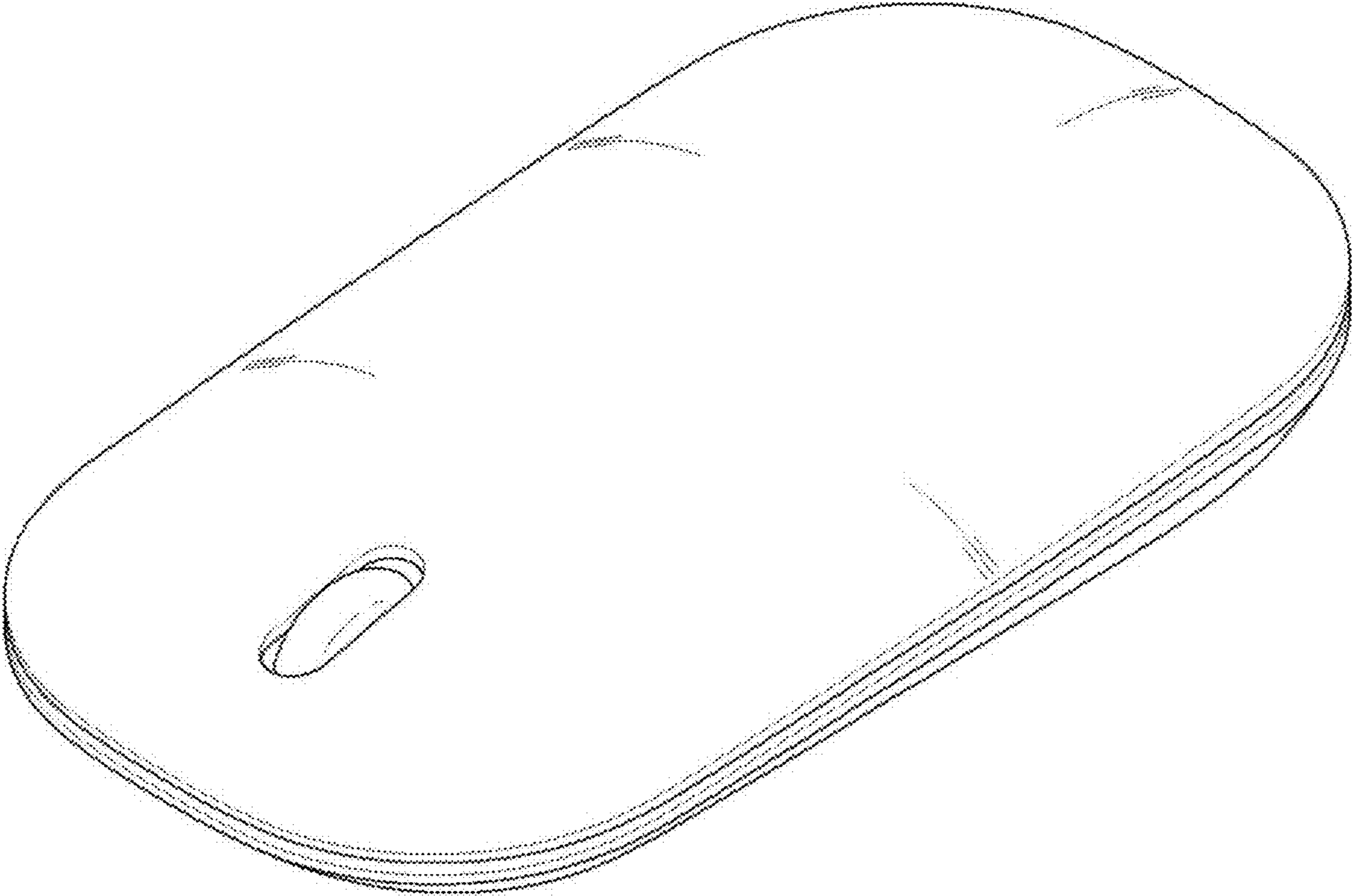
JP D1625589 \* 2/2019  
KR 300952179.0000 \* 10/2018  
WO D101273-001 \* 11/2018

OTHER PUBLICATIONS

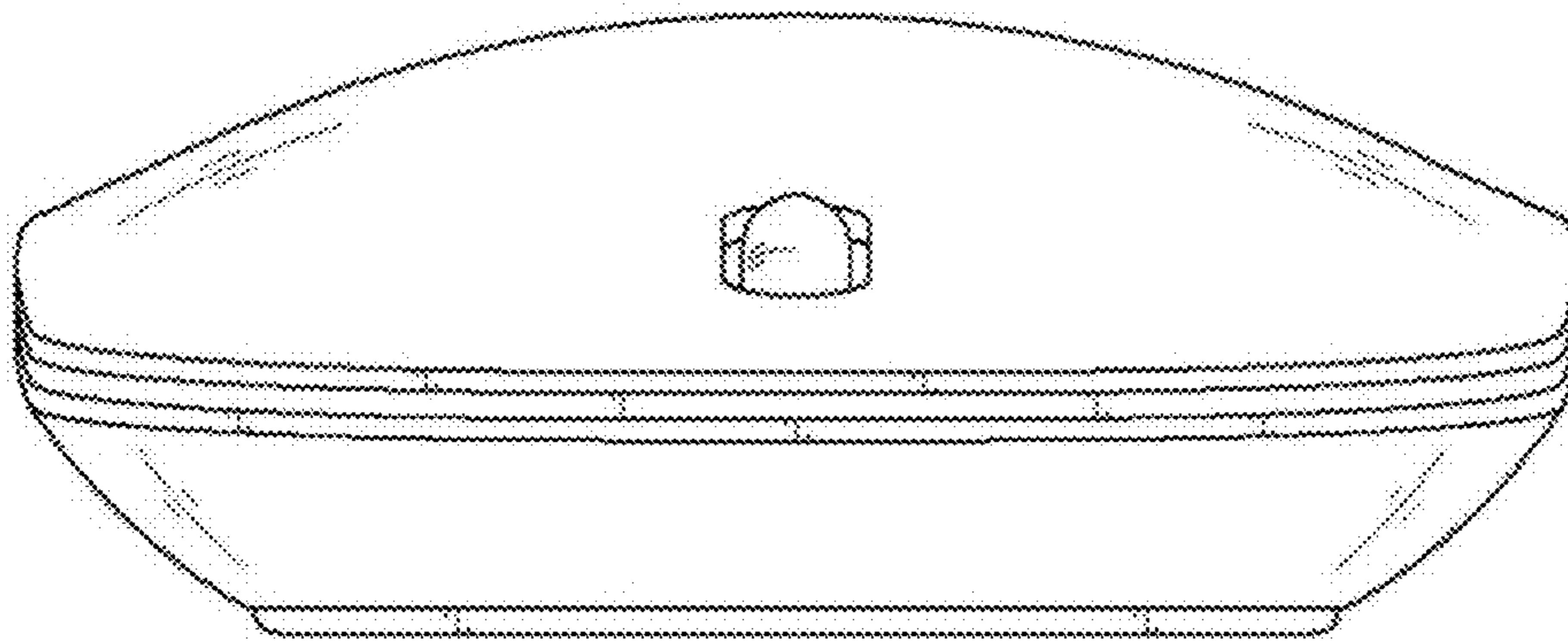
Acctenik Bluetooth Mouse , announced Jun. 14, 2018 [online],  
[retrieved Aug. 26, 2019]. Available from Internet, URL: <<https://info-guidesonline.com/product/acctenik-bluetooth-mouse-wireless-portable-noiseless-mice-for-pc-macbook-laptop-android-tablet-notebook/>> (Year: 2018).\*

\* cited by examiner

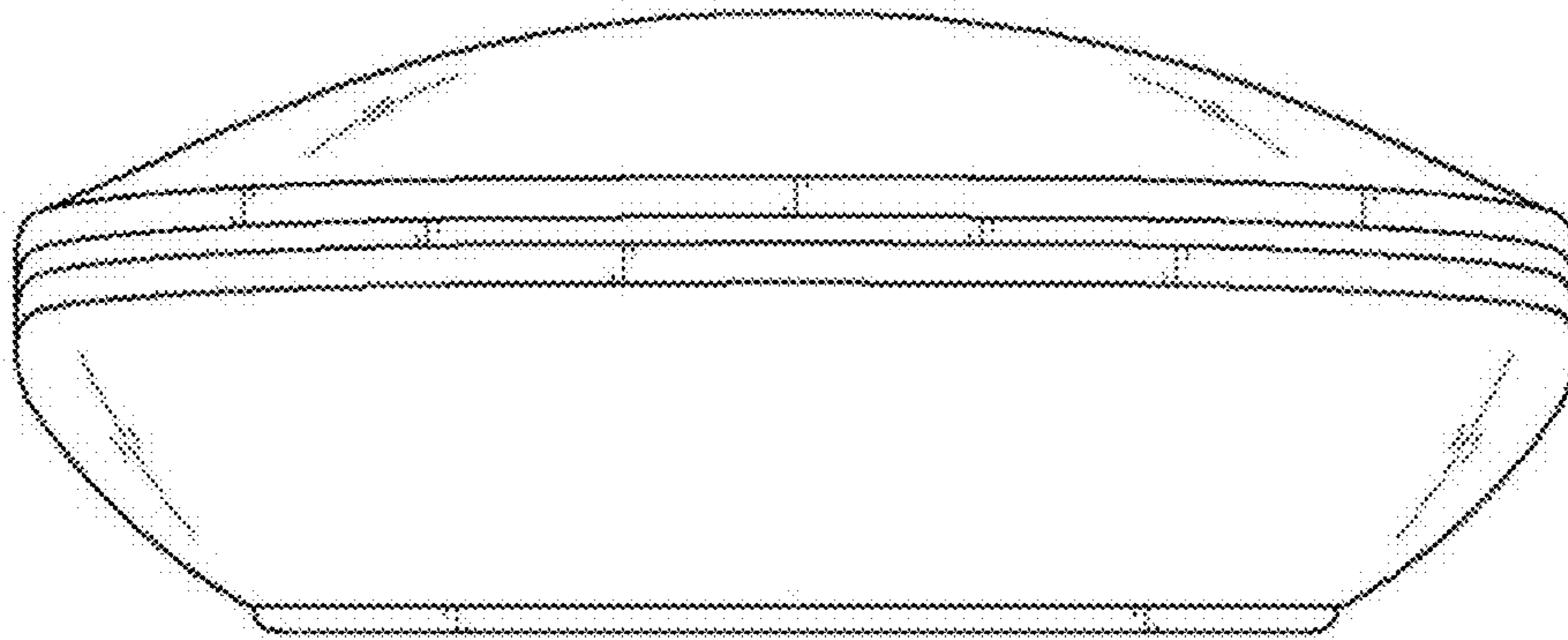
1.1



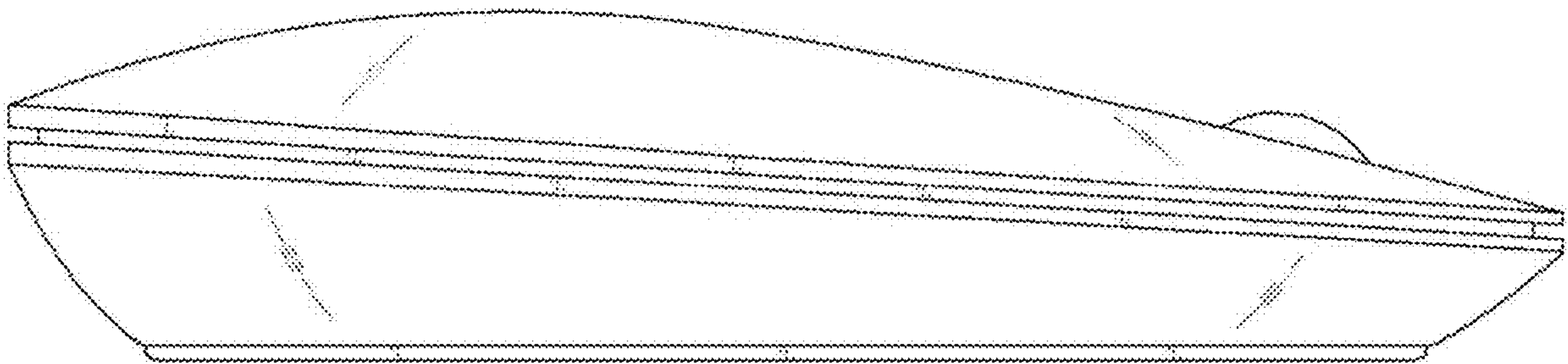
1.2



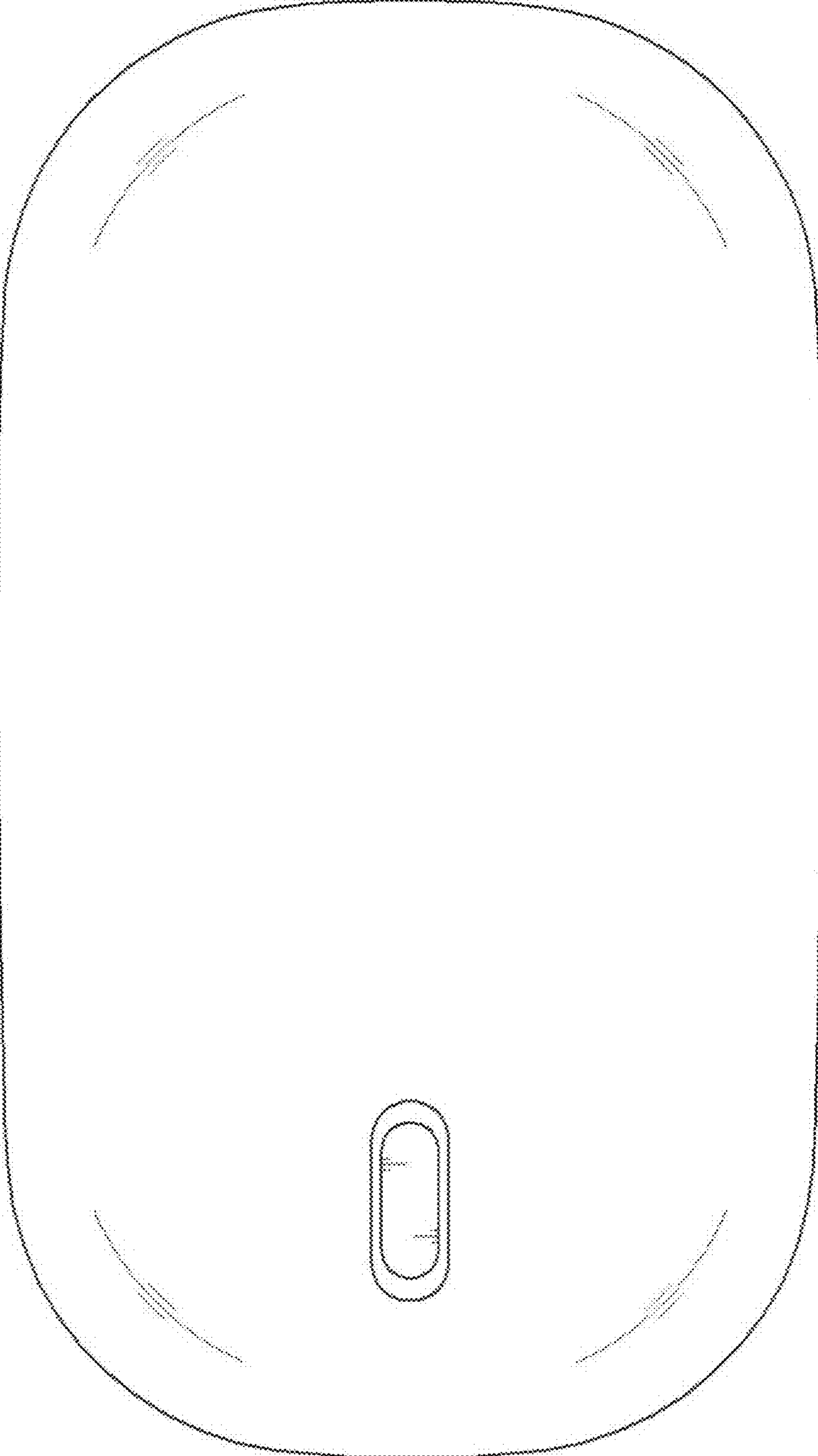
1.3



1.4



1.5



1.6

