



US00D872084S

(12) **United States Design Patent**
Reed et al.

(10) **Patent No.:** **US D872,084 S**
(45) **Date of Patent:** **** Jan. 7, 2020**

- (54) **AUGMENTED REALITY HEADSET**
- (71) Applicant: **Mira Labs, Inc.**, Los Angeles, CA (US)
- (72) Inventors: **Montana Reed**, Los Angeles, CA (US);
Norio Fujikawa, San Francisco, CA (US); **Oliver Henderson**, San Francisco, CA (US); **Sean Missal**, San Francisco, CA (US)
- (73) Assignee: **Mira Labs, Inc.**, Los Angeles, CA (US)
- (**) Term: **15 Years**
- (21) Appl. No.: **29/699,952**
- (22) Filed: **Jul. 30, 2019**

Related U.S. Application Data

- (62) Division of application No. 29/602,550, filed on May 1, 2017, now Pat. No. Des. 859,403.
- (51) **LOC (12) Cl.** **14-02**
- (52) **U.S. Cl.**
USPC **D14/372**
- (58) **Field of Classification Search**
USPC D14/372, 496, 432, 371, 125, 126, 129,
D14/299; D16/300-342; 351/158, 153,
351/144; 345/7-9, 905; 455/344;
348/115, 53, 121, 739
CPC G02B 27/017; G02B 27/0158; G02B
27/0161; G02B 27/0181; G02B 27/0185;
G02B 27/0189
See application file for complete search history.

References Cited

U.S. PATENT DOCUMENTS

- D798,862 S * 10/2017 Wang D14/372
- D800,117 S * 10/2017 Yee D14/372
- D812,612 S * 3/2018 Gribetz D14/372
- D820,259 S * 6/2018 Lee D14/372

- D825,561 S * 8/2018 Gribetz D14/372
- D830,359 S * 10/2018 Gribetz D14/372
- D839,269 S * 1/2019 Wang D14/372
- D840,396 S * 2/2019 Zhou D14/372
- D856,329 S * 8/2019 Wang D14/372
- D857,692 S * 8/2019 Conlee, IV D14/372

* cited by examiner

Primary Examiner — Austin Murphy

(74) *Attorney, Agent, or Firm* — Buchalter, a professional corp.; Kari Barnes

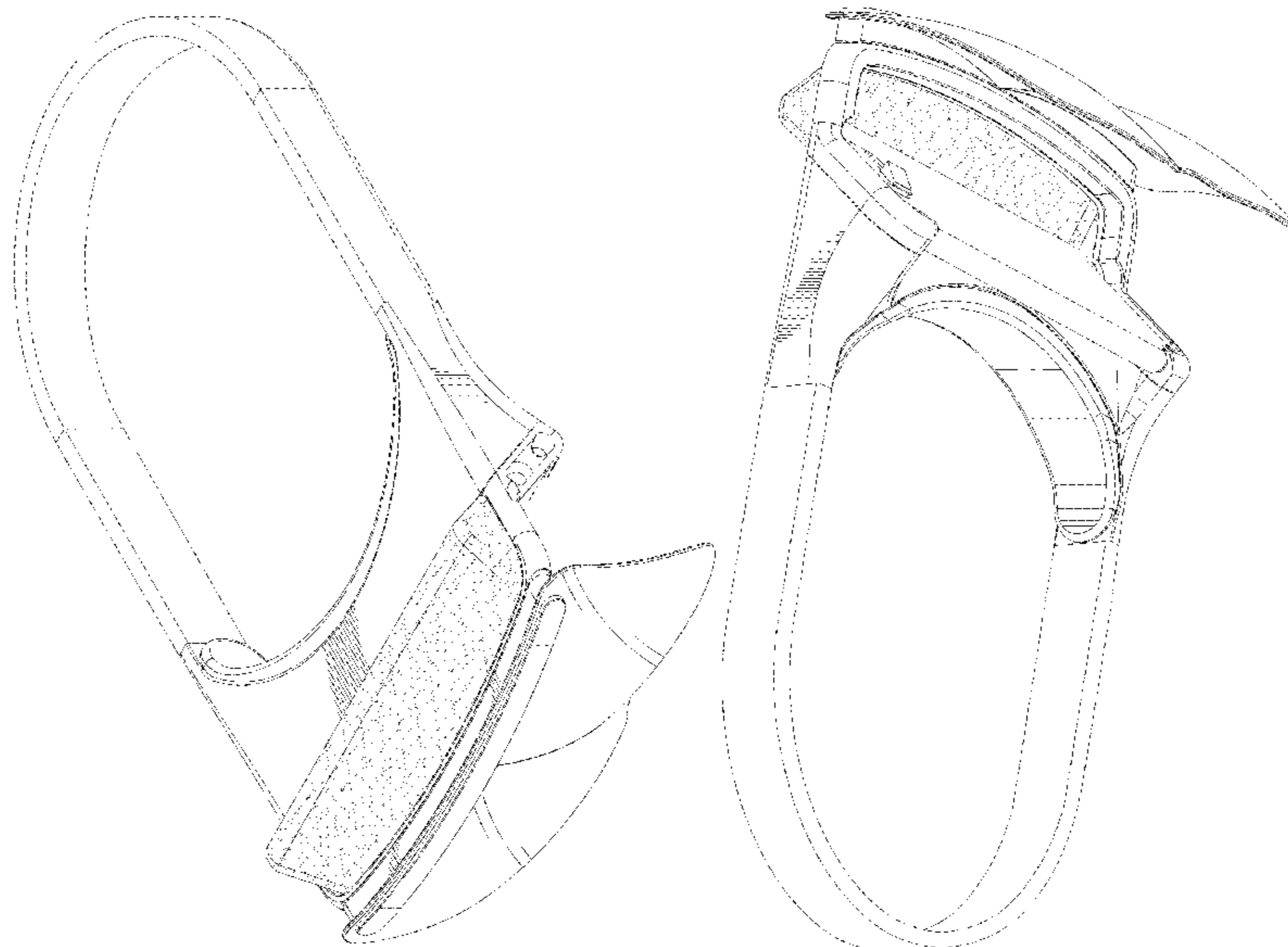
(57) **CLAIM**

We claim the ornamental design for an augmented reality headset, as shown and described.

DESCRIPTION

FIG. 1 is a top perspective view of an augmented reality headset showing our new design in a use configuration; FIG. 2 is a bottom perspective view of the augmented reality headset in a use configuration illustrated in FIG. 1; FIG. 3 is a front perspective view of the augmented reality headset in a use configuration illustrated in FIG. 1; FIG. 4 is a right side elevation view of the augmented reality headset in a use configuration illustrated in FIG. 1; FIG. 5 is a left side elevation view of the augmented reality headset in a use configuration illustrated in FIG. 1; FIG. 6 is a front side elevation view of the augmented reality headset in a use configuration illustrated in FIG. 1; FIG. 7 is a back side elevation view of the augmented reality headset in a use configuration illustrated in FIG. 1; FIG. 8 is a top side elevation view of the augmented reality headset in a use configuration illustrated in FIG. 1; and, FIG. 9 is a bottom side elevation view of the augmented reality headset in a use configuration illustrated in FIG. 1. The broken lines are included for the purpose of illustrating environmental subject matter and form no part of the claimed design.

1 Claim, 8 Drawing Sheets



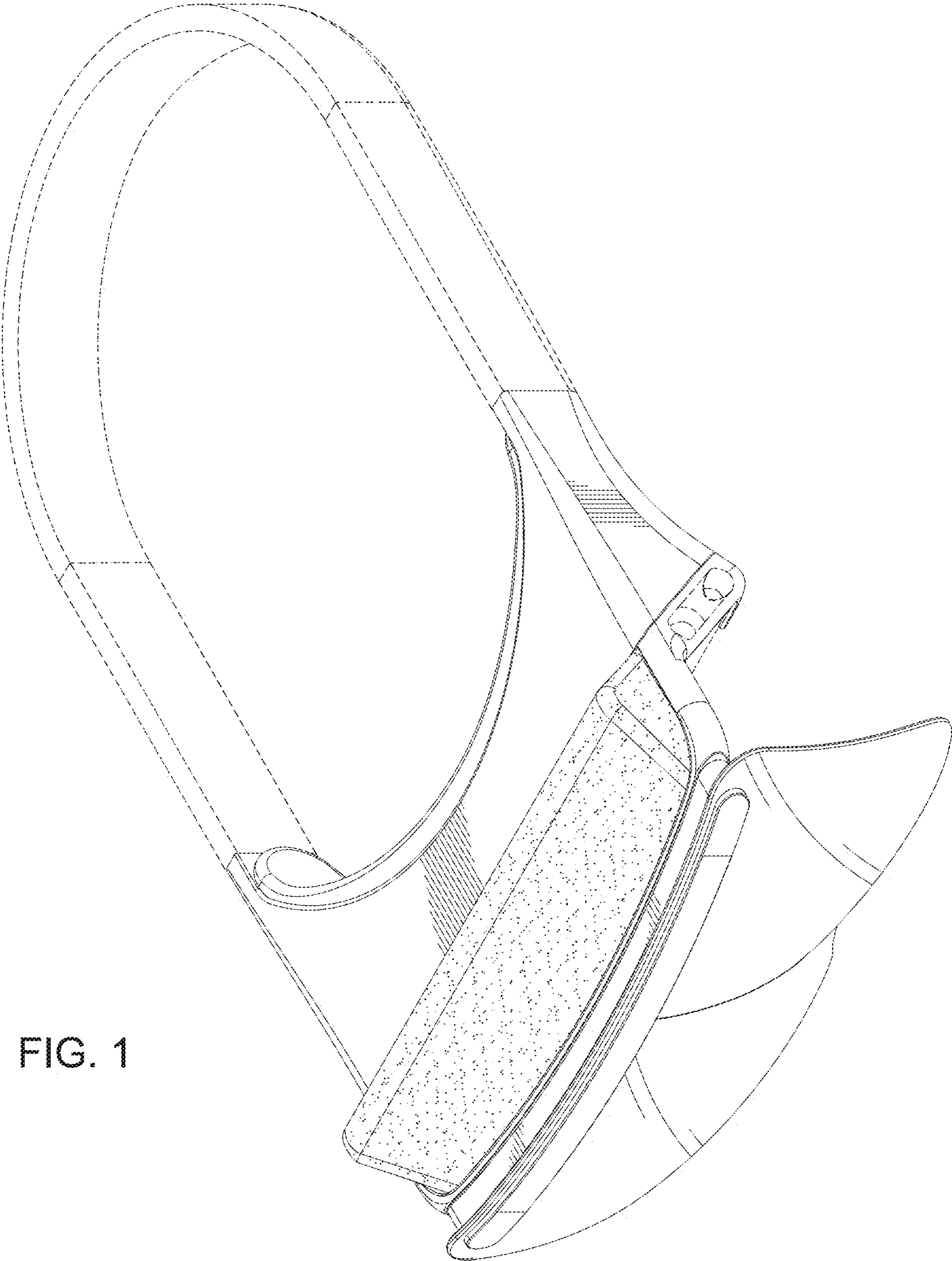


FIG. 1

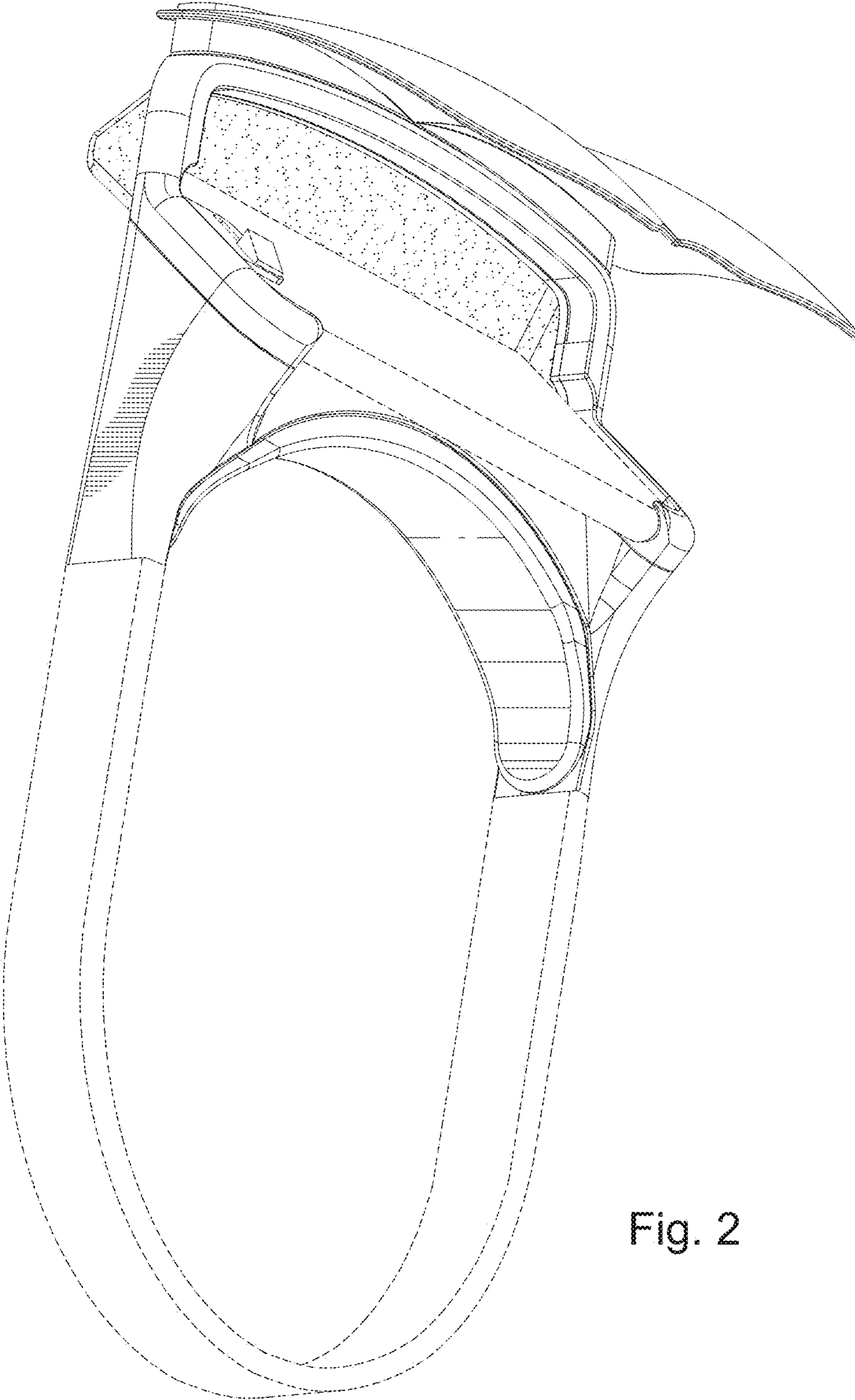


Fig. 2

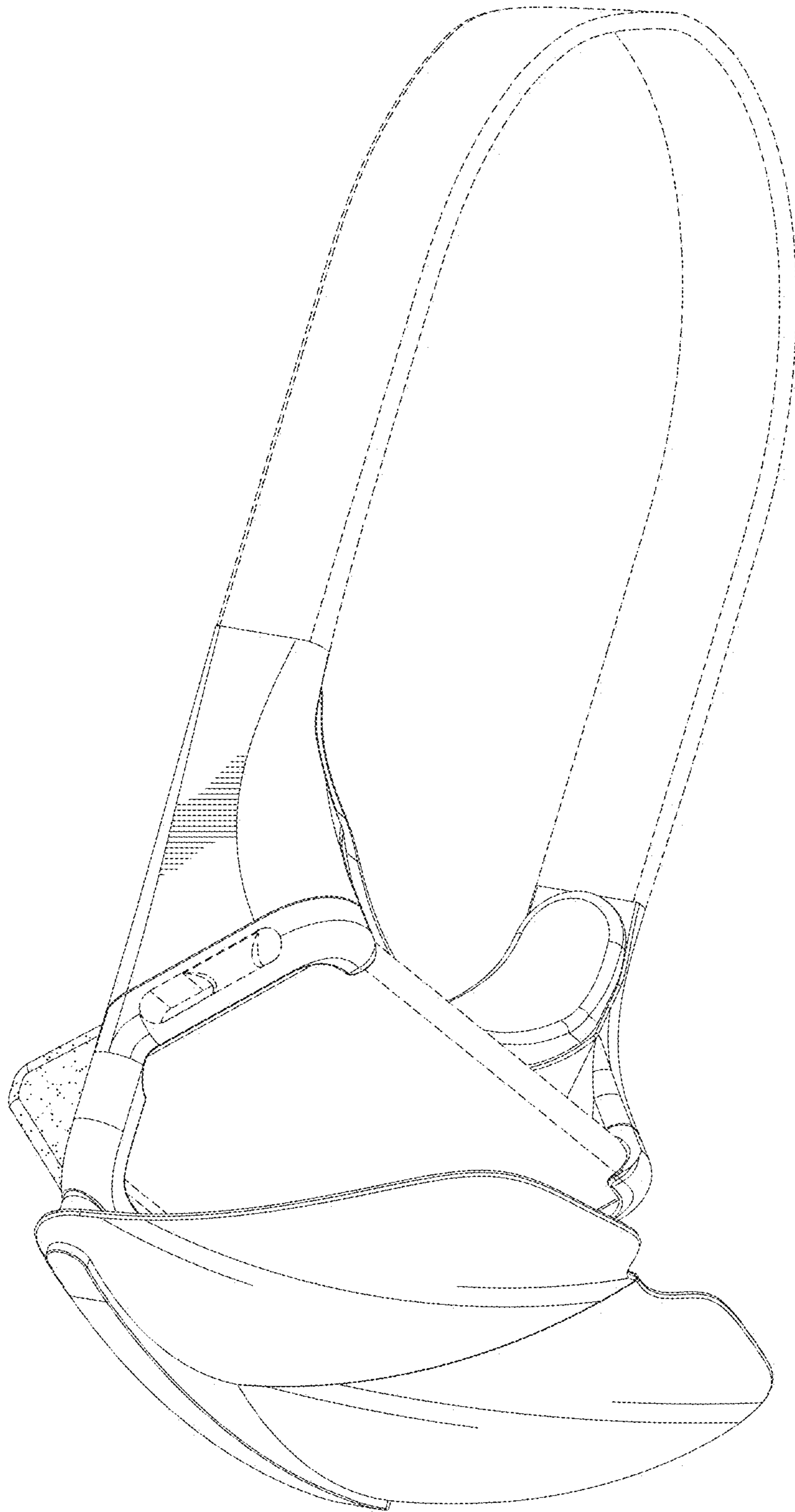


FIG. 3

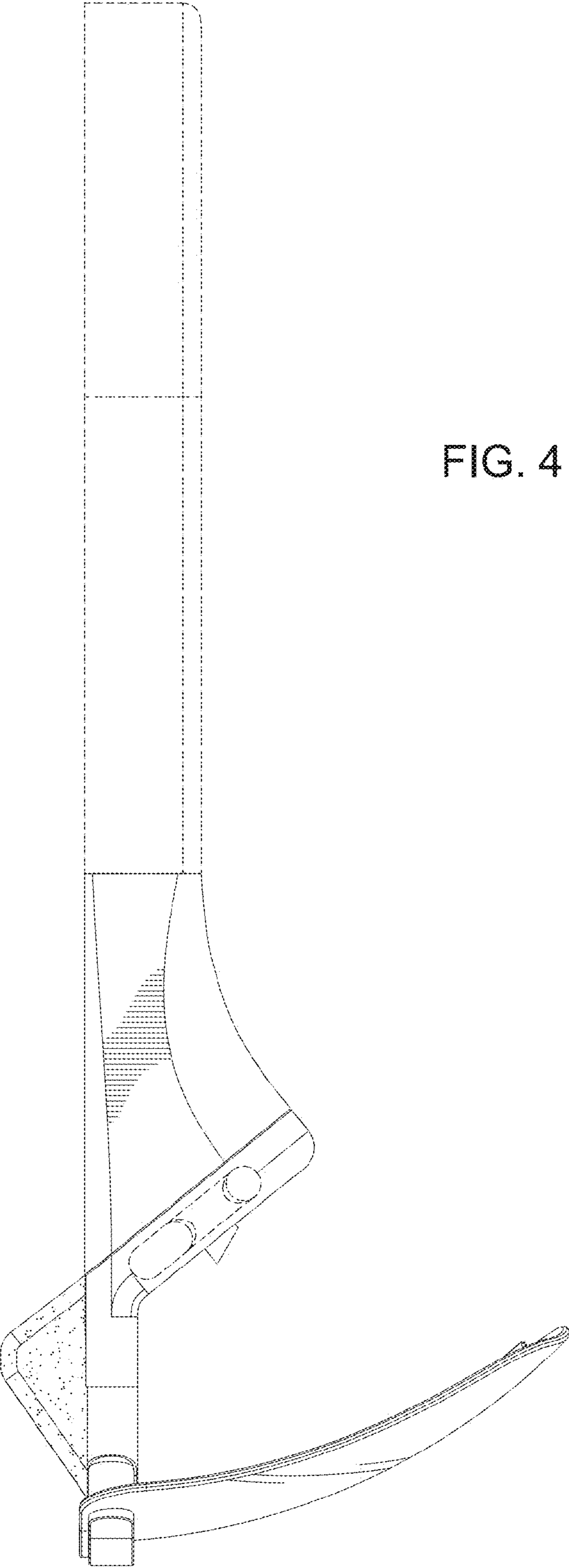


FIG. 4

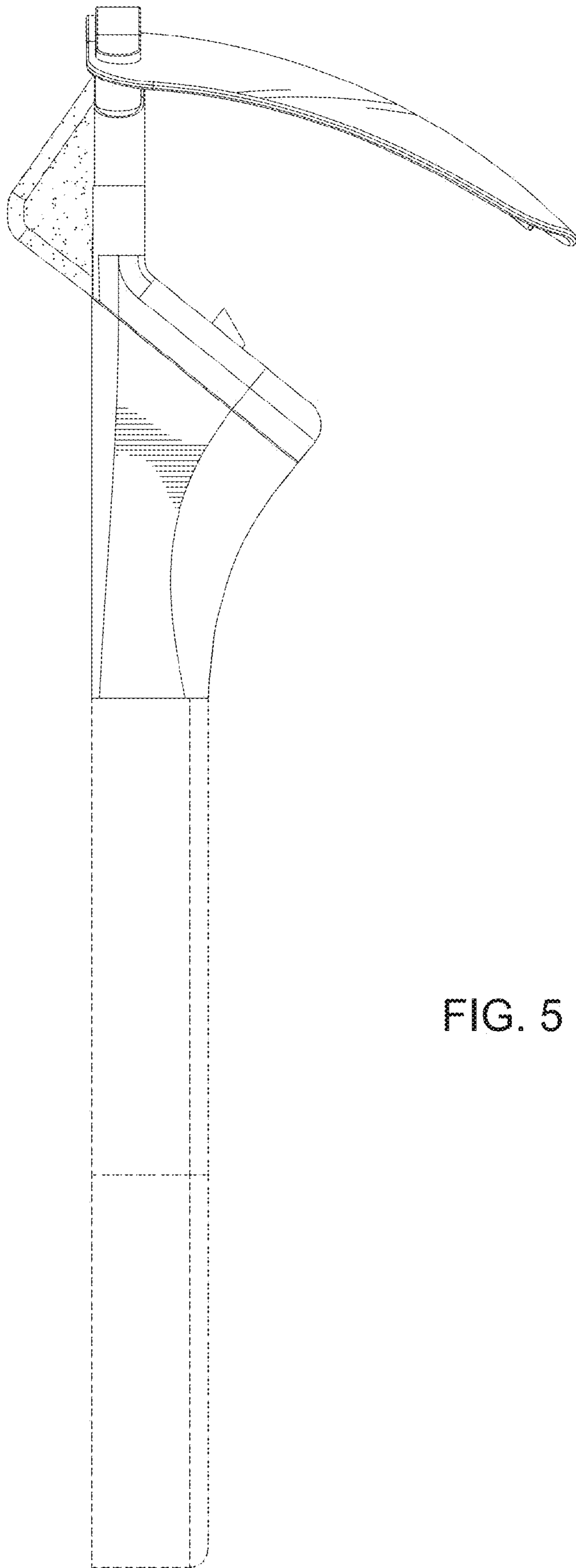


FIG. 5

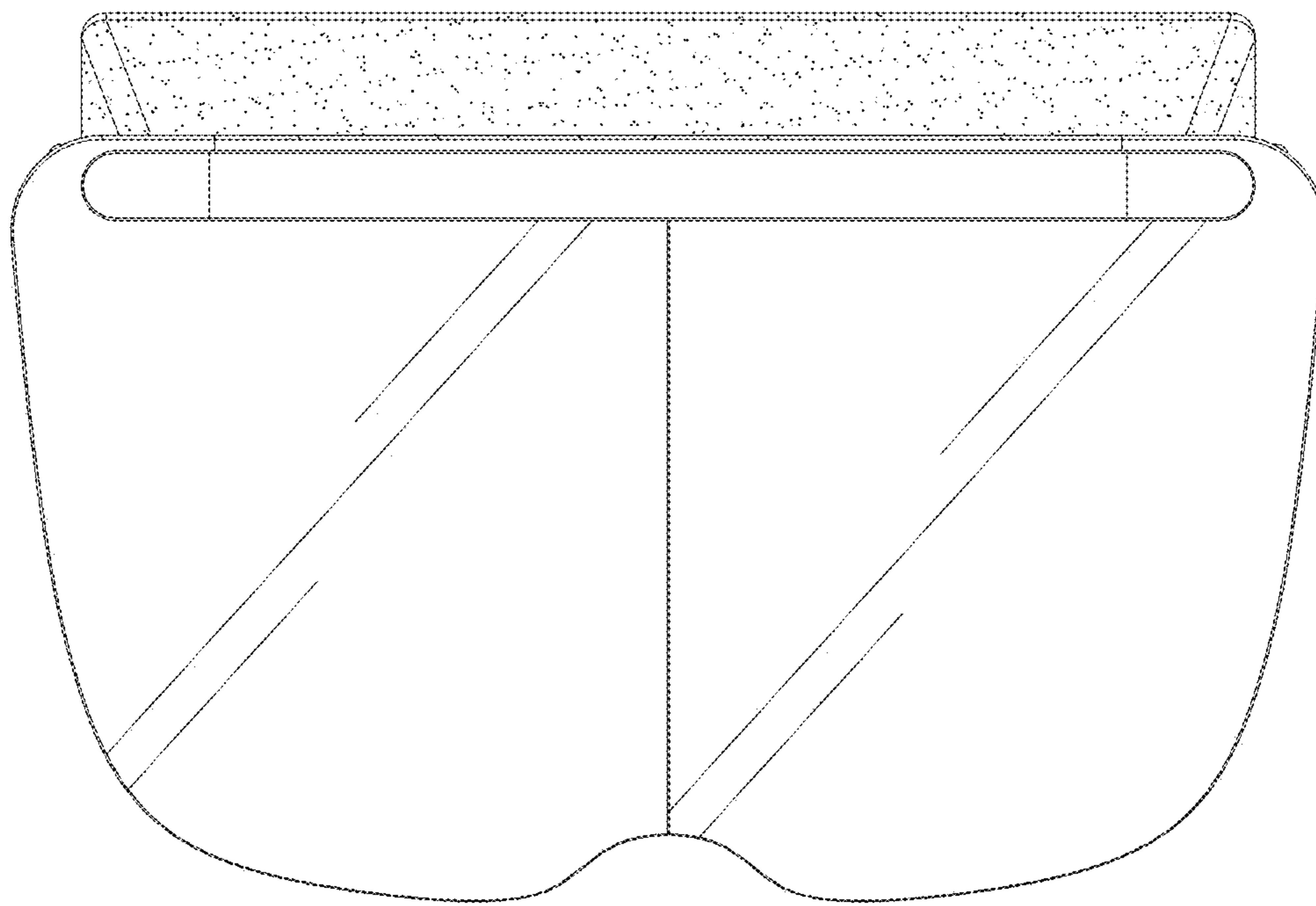


FIG. 6

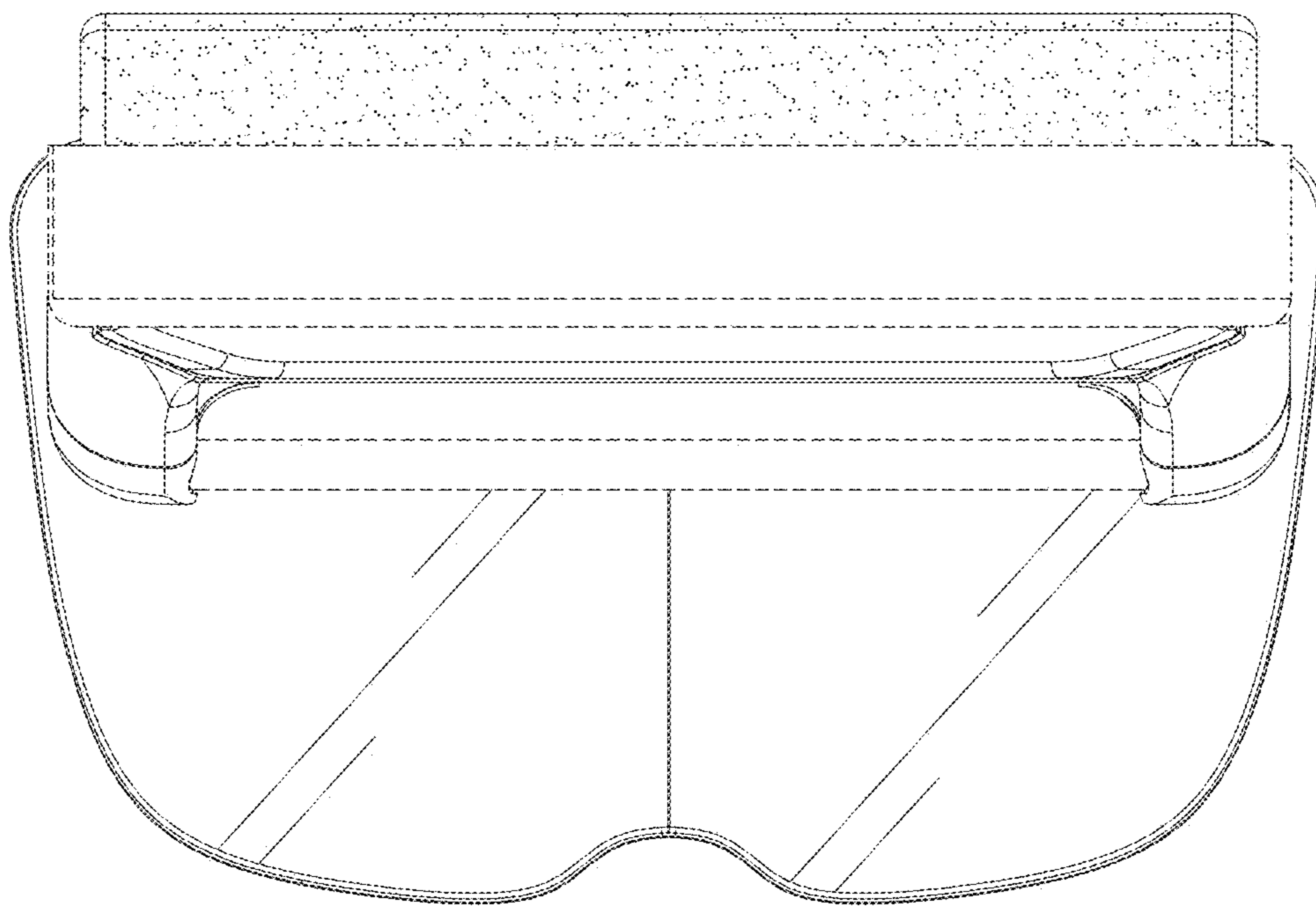


FIG. 7

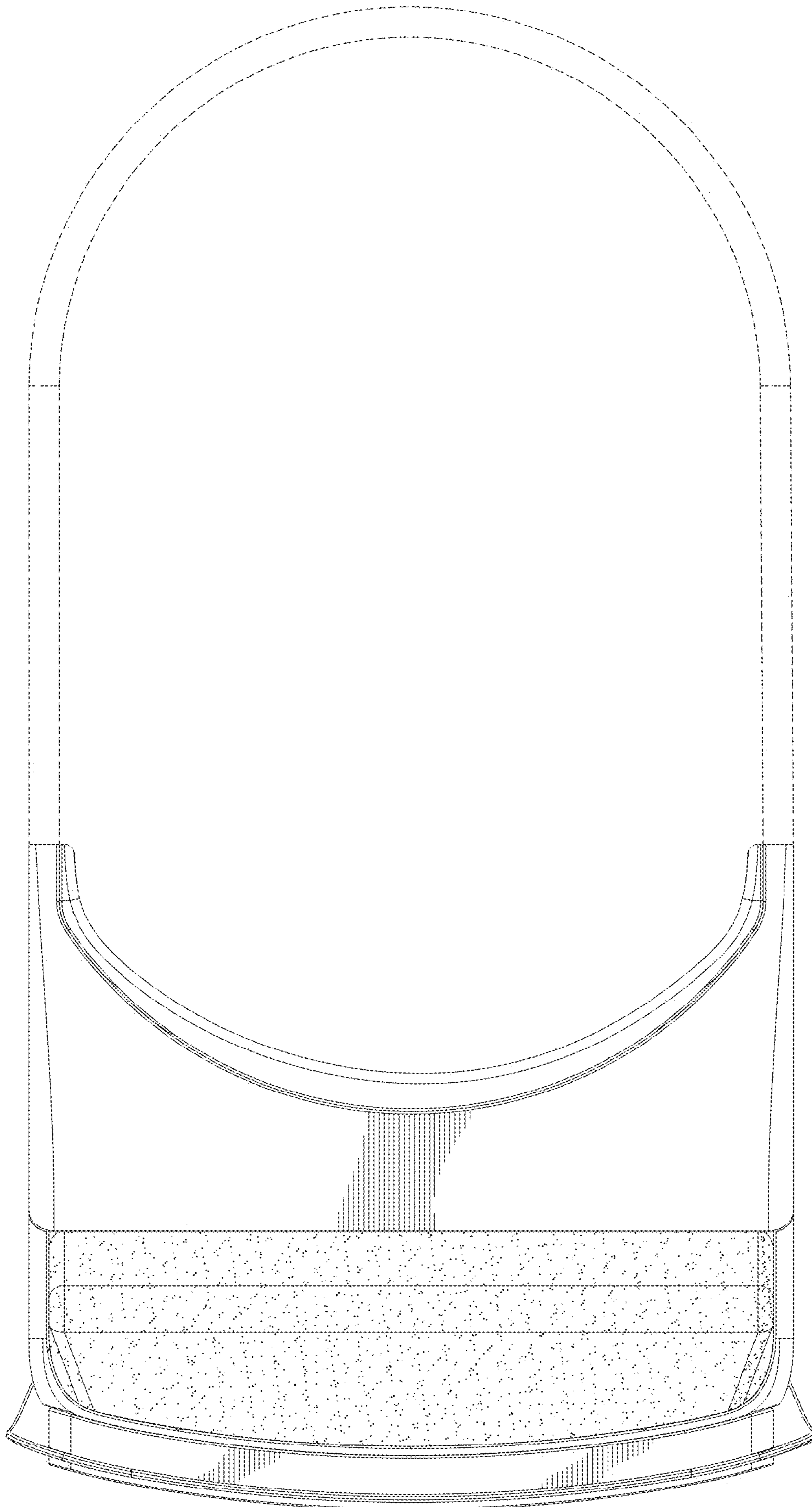


FIG. 8

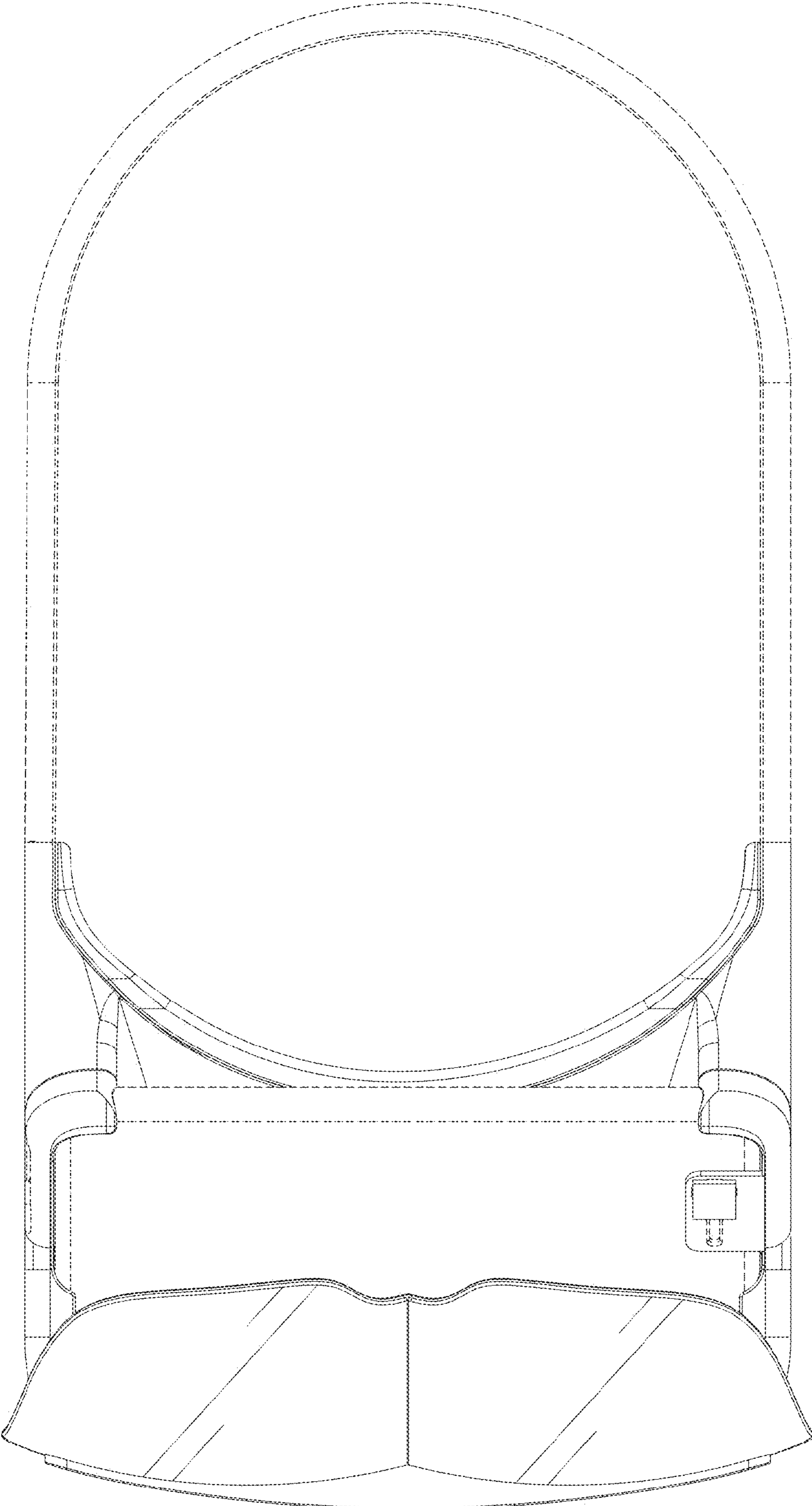


FIG. 9