



US00D872083S

(12) **United States Design Patent**
Hitch

(10) **Patent No.:** **US D872,083 S**
(45) **Date of Patent:** **** Jan. 7, 2020**

(54) **MOUTH GUARD AND DISPLAY FOR A HEADSET**

(71) Applicant: **Adam W. Hitch**, Louisville, KY (US)

(72) Inventor: **Adam W. Hitch**, Louisville, KY (US)

(**) Term: **15 Years**

(21) Appl. No.: **29/690,420**

(22) Filed: **May 8, 2019**

Related U.S. Application Data

(62) Division of application No. 29/655,022, filed on Jun. 29, 2018, now Pat. No. Des. 856,331, which is a division of application No. 29/585,364, filed on Nov. 23, 2016, now Pat. No. Des. 824,904.

(51) **LOC (12) Cl.** **14-02**

(52) **U.S. Cl.**
USPC **D14/372**

(58) **Field of Classification Search**
USPC D14/372, 496, 432, 371, 125, 126, 129, D14/299; D16/300-342; 351/158, 153, 351/144; 345/7-9, 905; 455/344; 348/115, 53, 121, 739
CPC G02B 27/017; G02B 27/0158; G02B 27/0161; G02B 27/0181; G02B 27/0185; G02B 27/0189

See application file for complete search history.

(56) **References Cited**

U.S. PATENT DOCUMENTS

D369,595 S * 5/1996 Kober D14/372
D440,967 S * 4/2001 Jung D14/372
D687,434 S * 8/2013 Serota D14/372
D722,054 S * 2/2015 Serota D14/372
D743,705 S * 11/2015 Cisler, II D6/300
D752,680 S * 3/2016 Kim D14/372
D758,367 S * 6/2016 Natsume D14/372

D764,465 S * 8/2016 Clement D14/372
D766,896 S * 9/2016 Li D14/372
D805,514 S * 12/2017 Clement D14/372
D824,904 S * 8/2018 Hitch D14/372
D843,374 S * 3/2019 Nieto D14/372
D856,331 S * 8/2019 Hitch D14/372
2012/0005811 A1 * 1/2012 McCrory A61F 9/029
2/439

(Continued)

Primary Examiner — Austin Murphy

(74) *Attorney, Agent, or Firm* — Stites & Harbison, PLLC; David W. Nagle, Jr.

(57) **CLAIM**

The ornamental design for a mouth guard and display for a headset, as shown and described.

DESCRIPTION

FIG. 1 is a perspective view of a headset with a mouth guard and display incorporating the design of the present invention;

FIG. 2 is a front view of the headset of FIG. 1;

FIG. 3 is a rear view of the headset of FIG. 1;

FIG. 4 is a left side view of the headset of FIG. 1;

FIG. 5 is a right side view of the headset of FIG. 1;

FIG. 6 is a top view of the headset of FIG. 1;

FIG. 7 is a bottom view of the headset of FIG. 1;

FIG. 8 is a perspective view of an alternate headset with a mouth guard and display incorporating the design of the present invention;

FIG. 9 is a front view of the headset of FIG. 8;

FIG. 10 is a rear view of the headset of FIG. 8;

FIG. 11 is a left side view of the headset of FIG. 8;

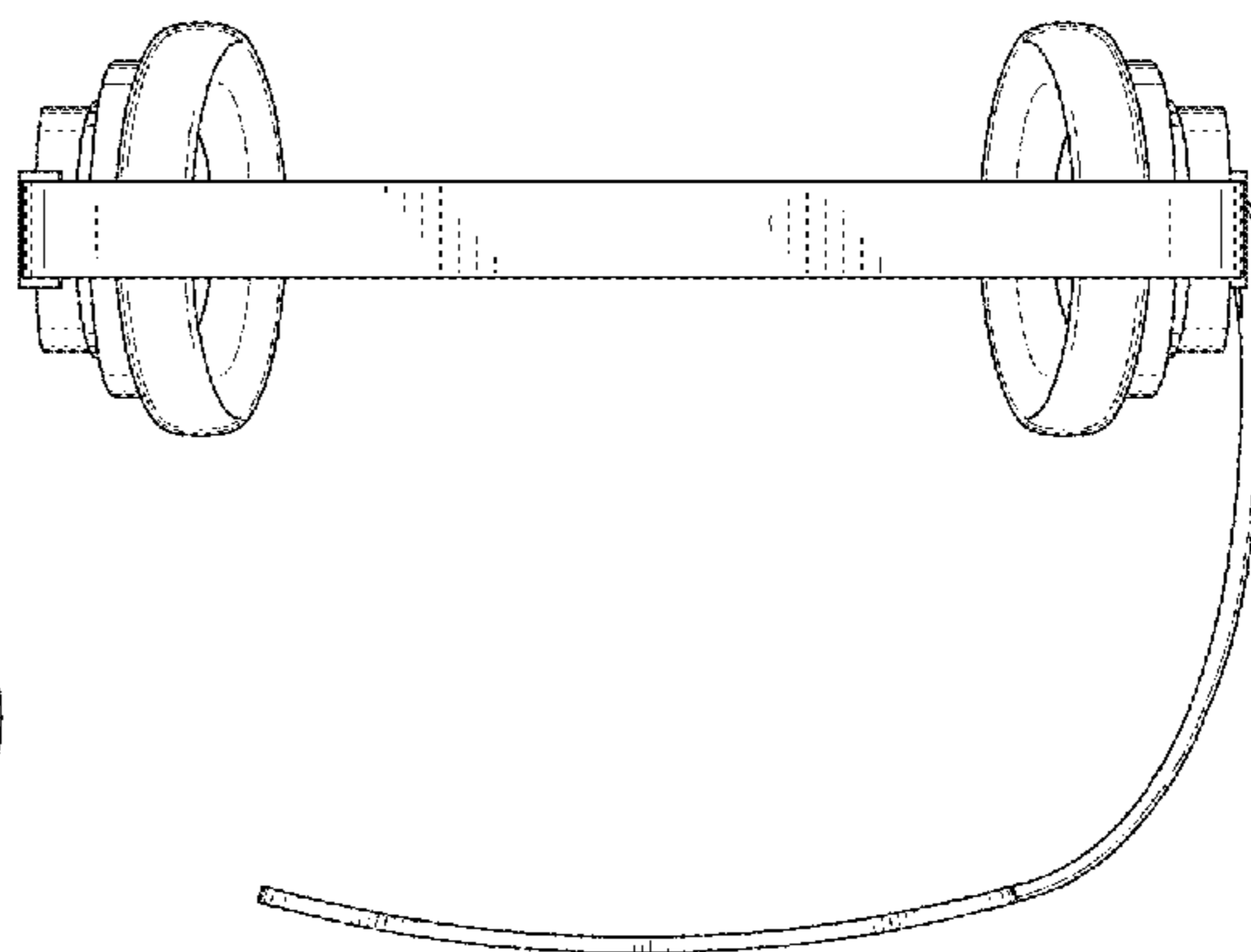
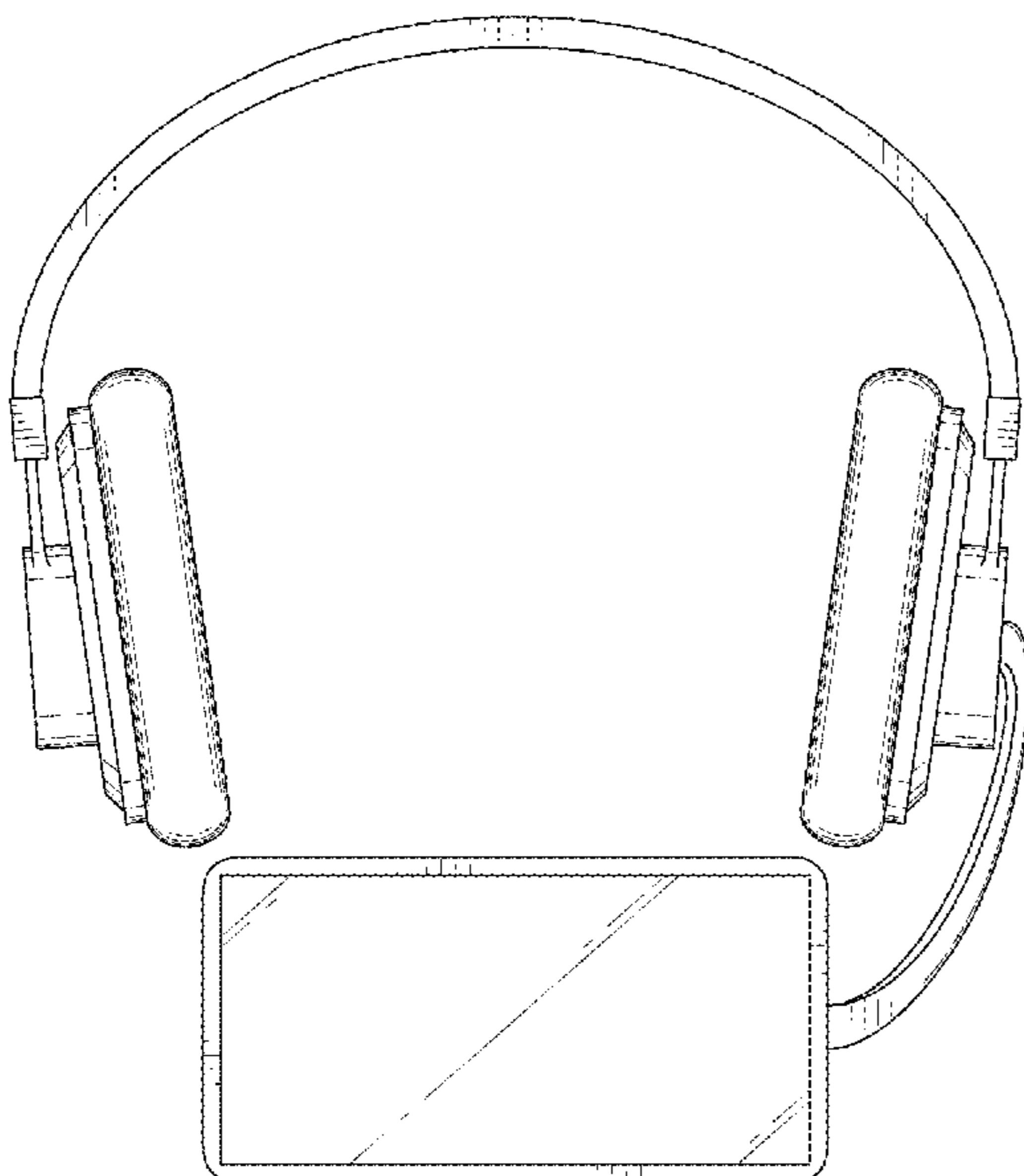
FIG. 12 is a right side view of the headset of FIG. 8;

FIG. 13 is a top view of the headset of FIG. 8; and,

FIG. 14 is a bottom view of the headset of FIG. 8.

The broken lines shown in the drawings are for illustrative purposes only and form no part of the claimed design.

1 Claim, 8 Drawing Sheets



(56)

References Cited

U.S. PATENT DOCUMENTS

2013/0237146 A1* 9/2013 Serota G02B 27/017
455/12.1
2014/0152531 A1* 6/2014 Murray G06F 1/1632
345/8

* cited by examiner

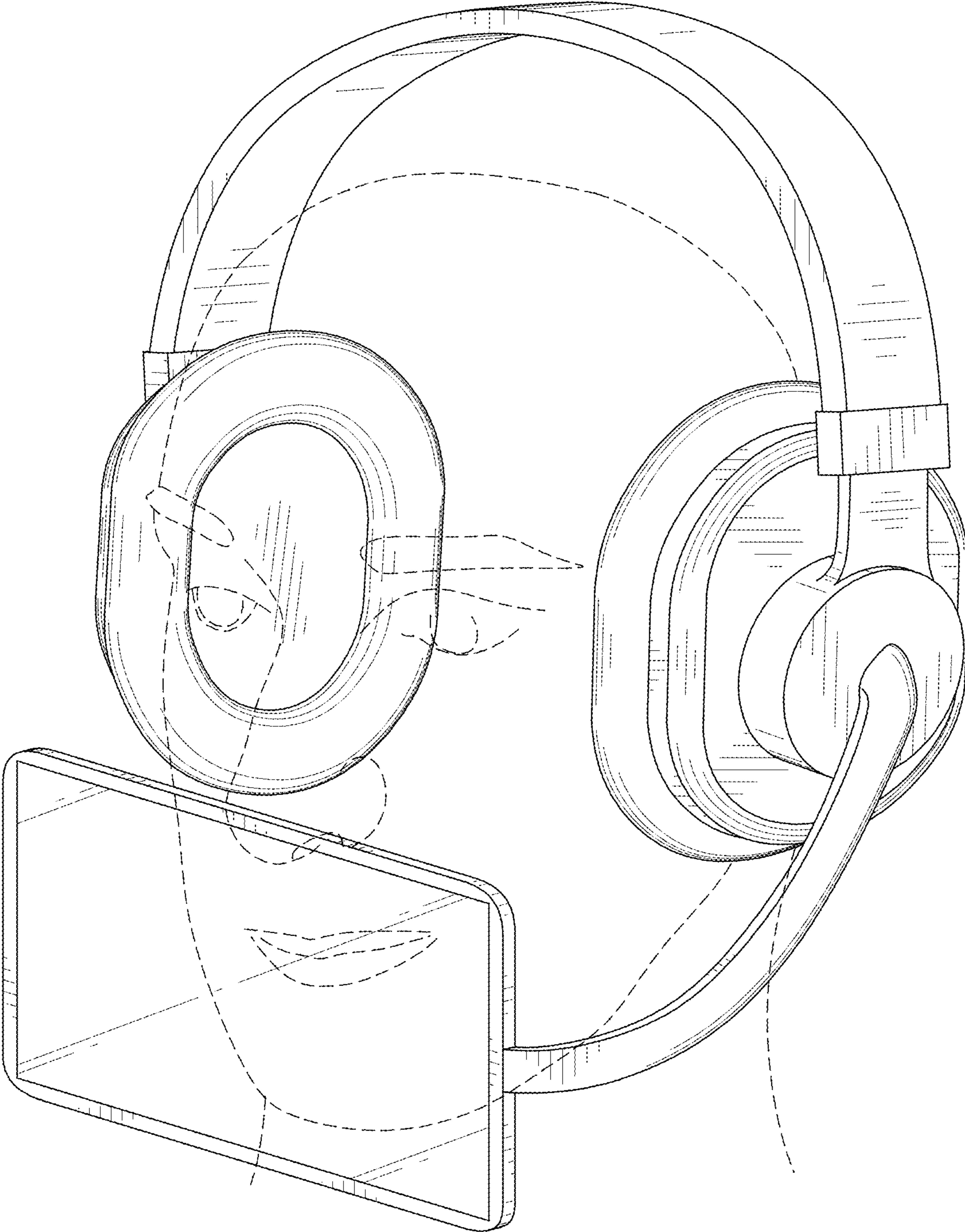


FIG. 1

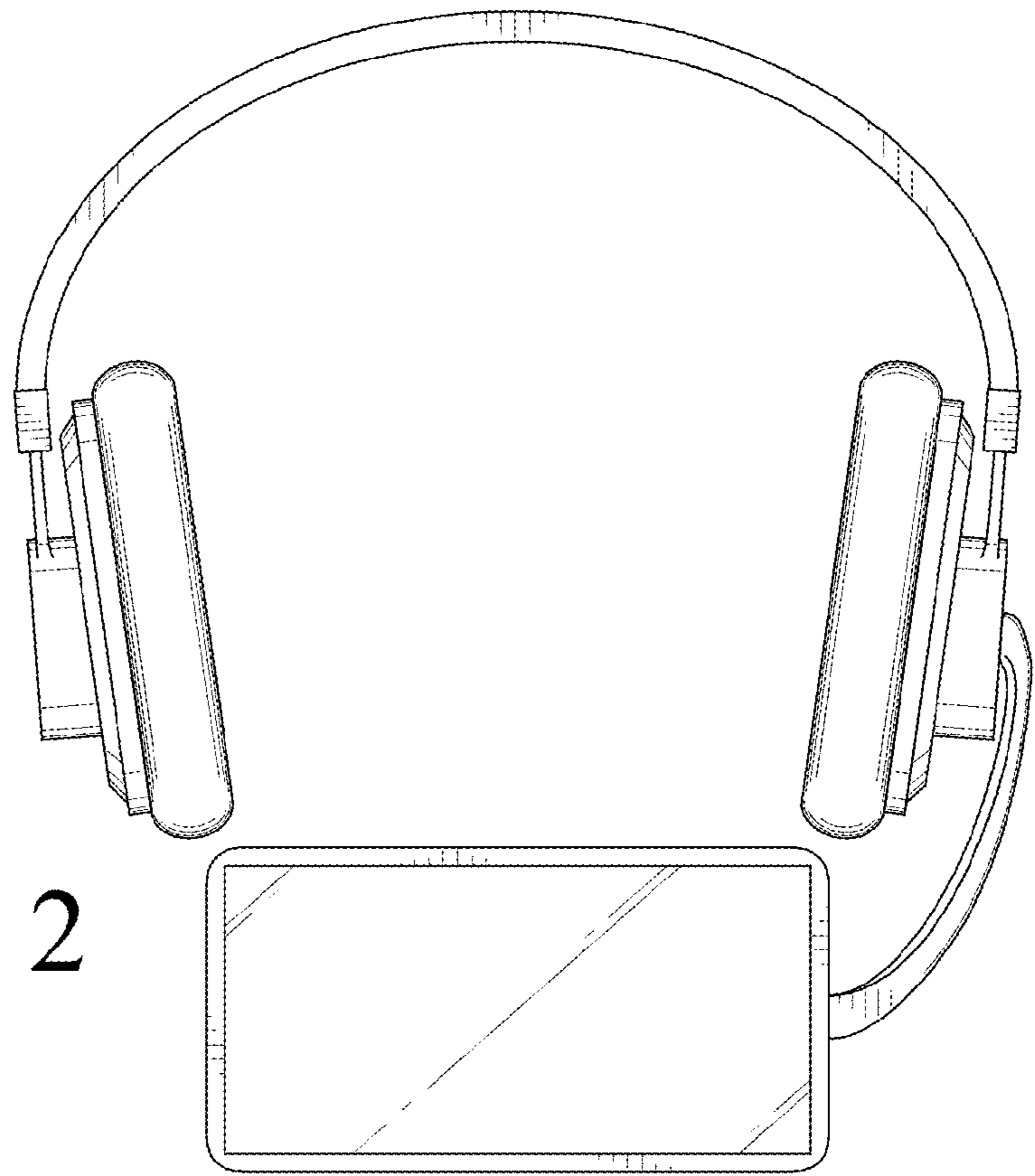


FIG. 2

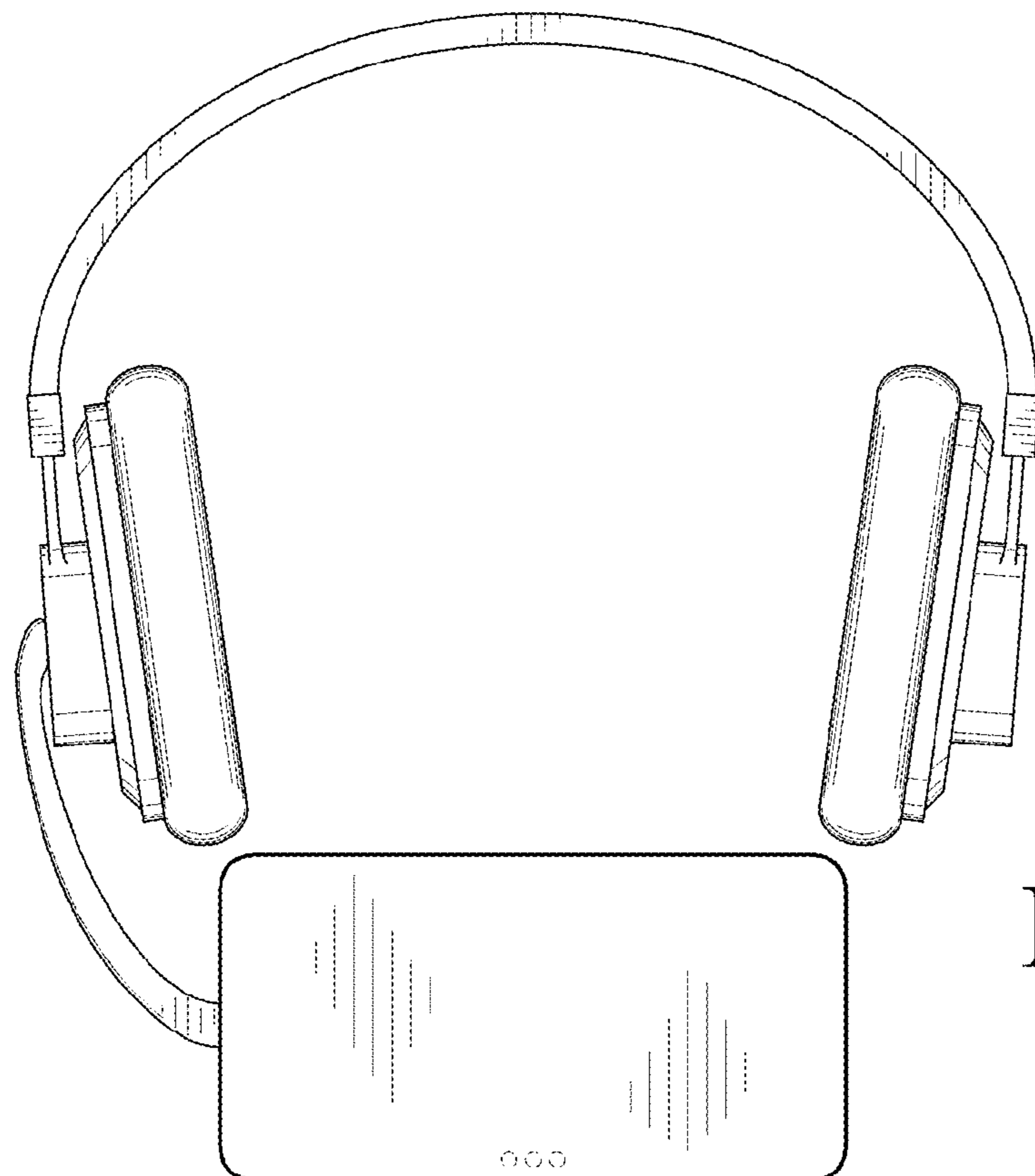
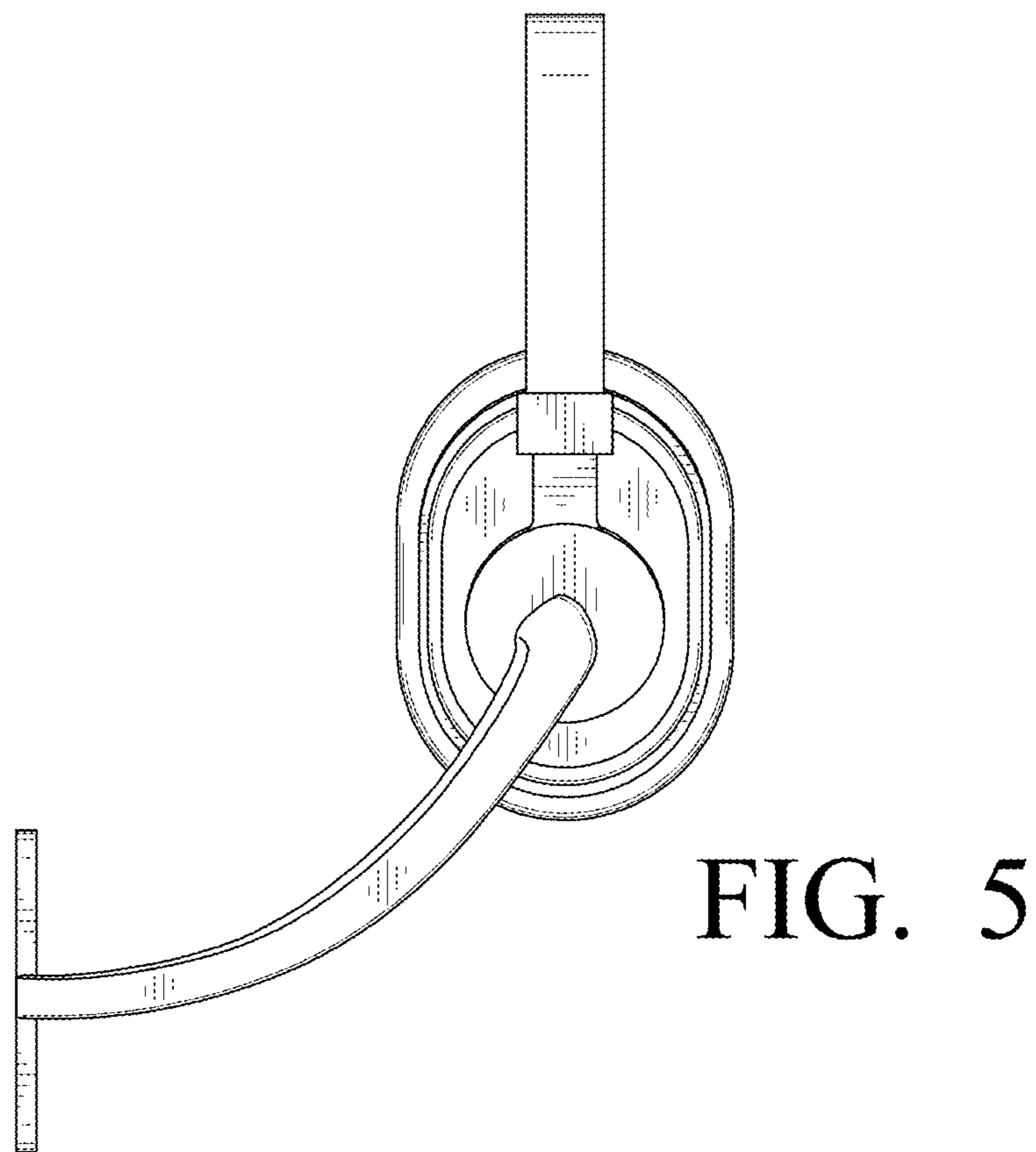
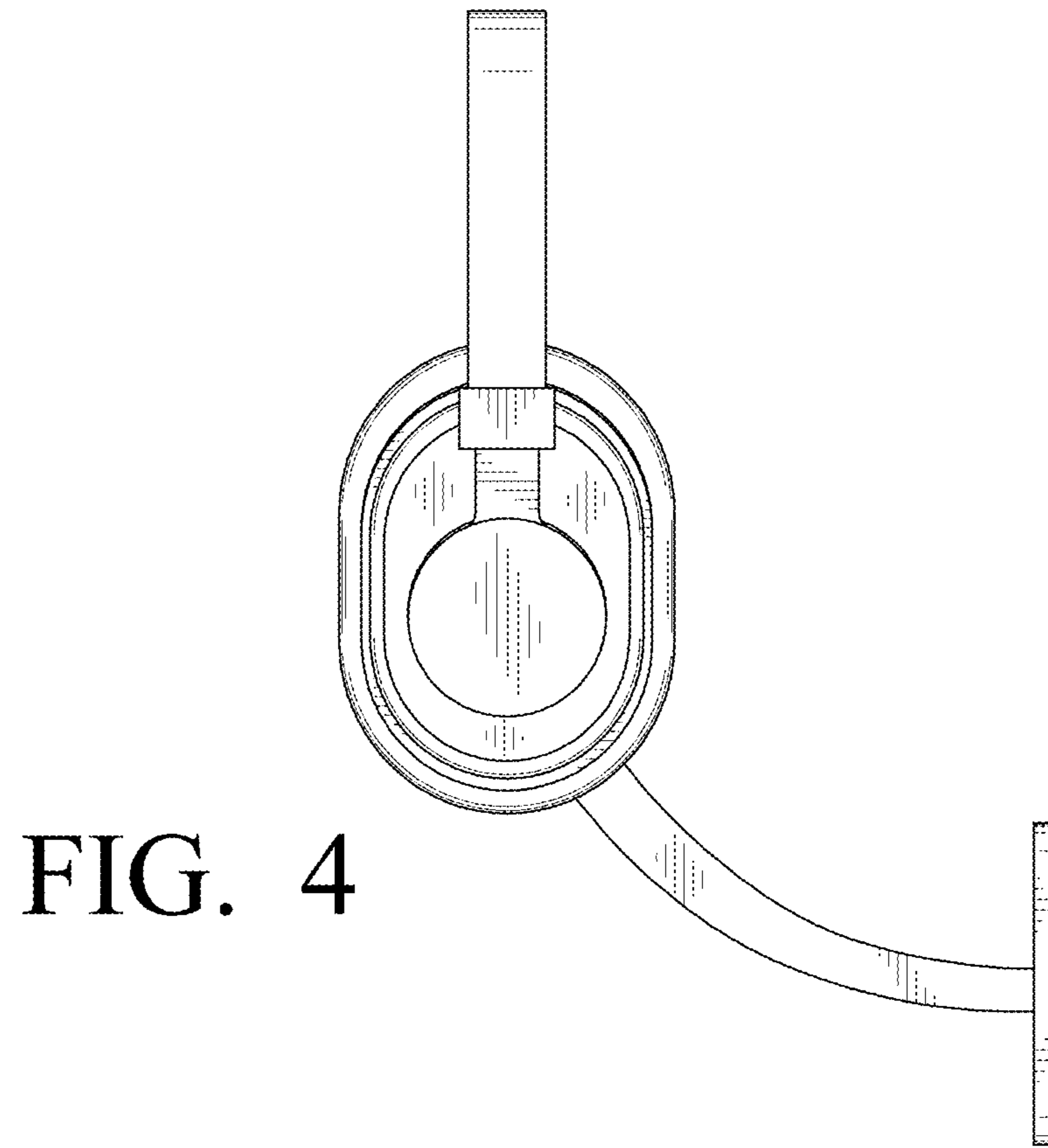


FIG. 3



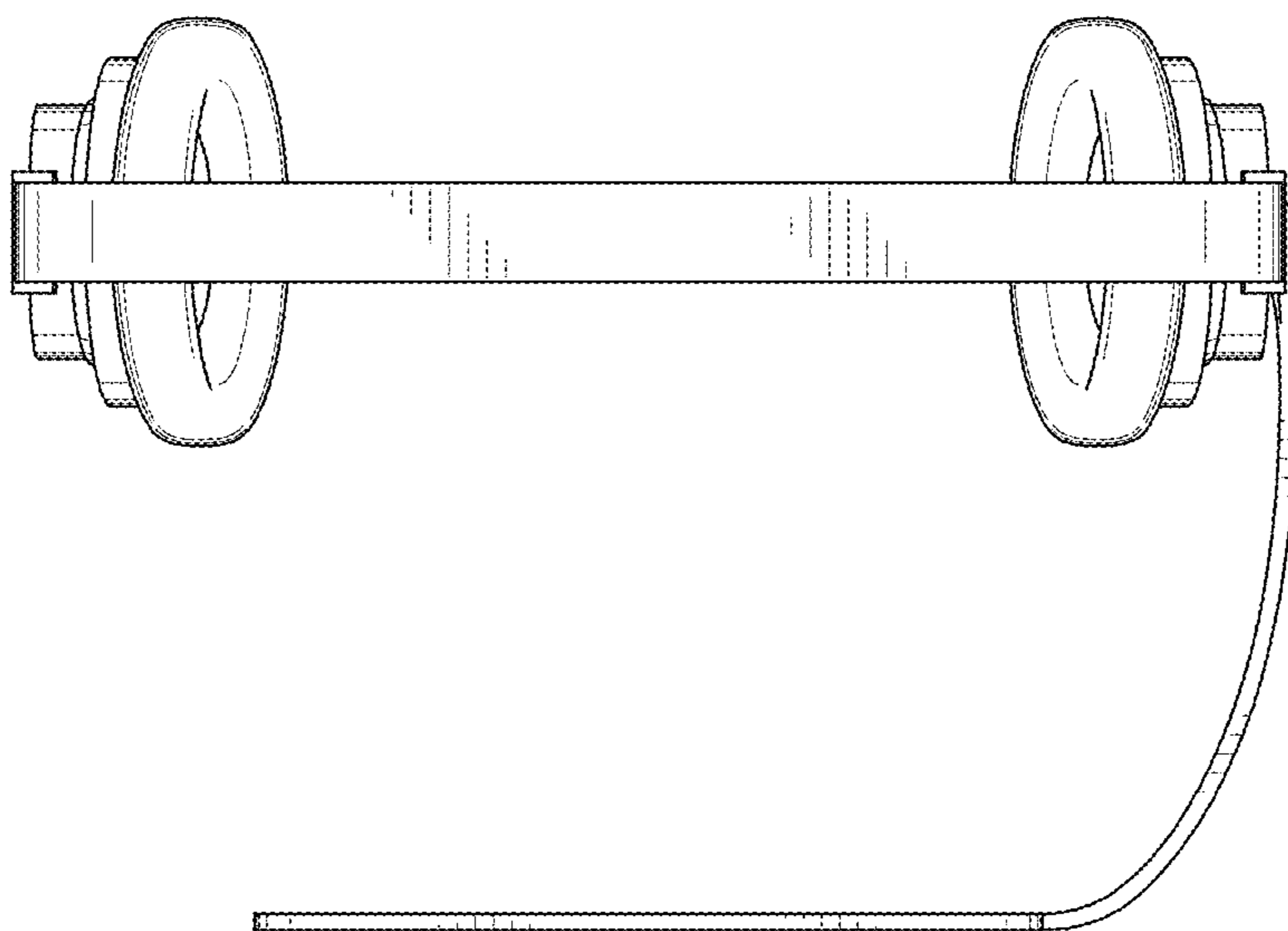


FIG. 6

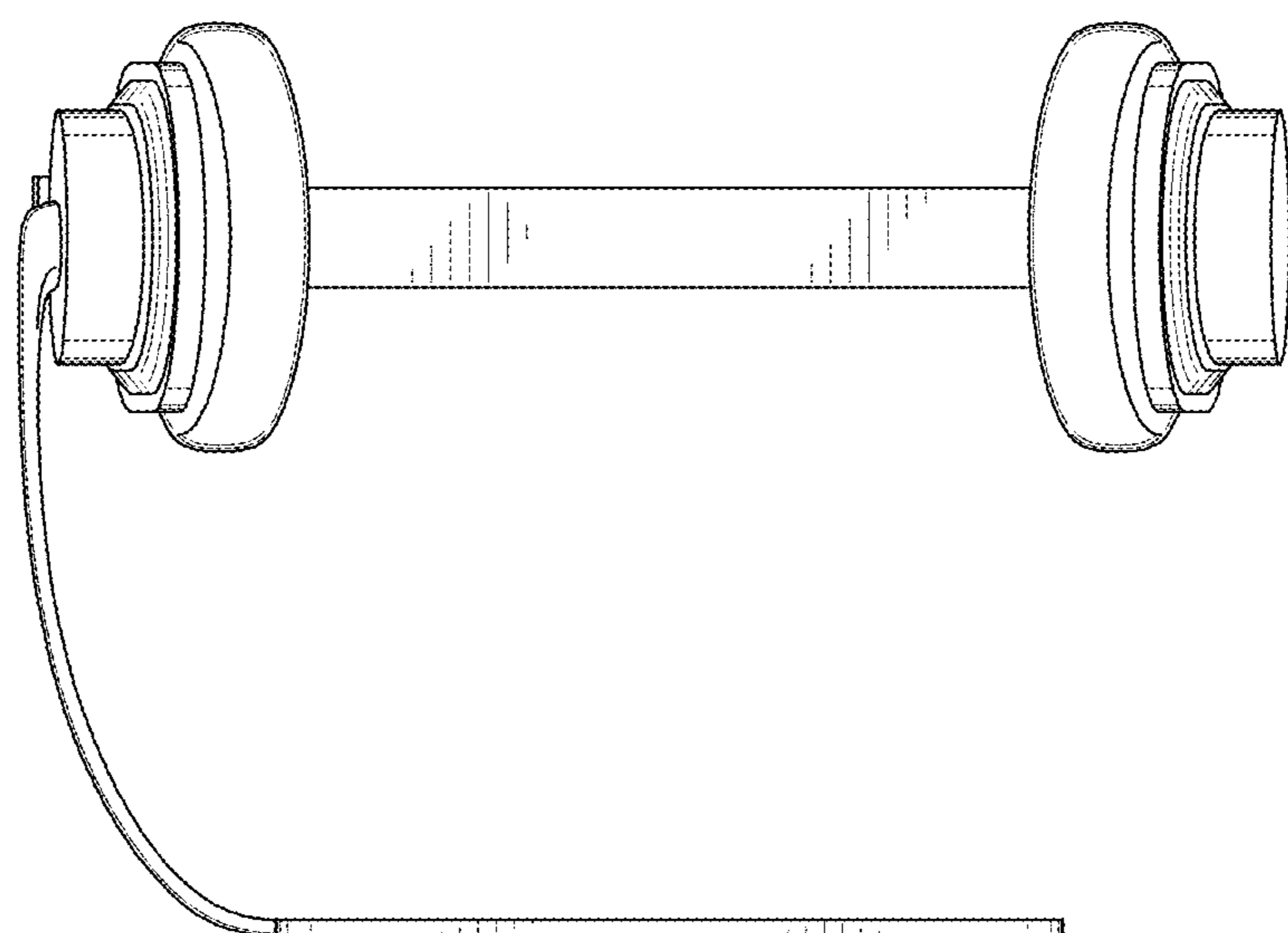


FIG. 7

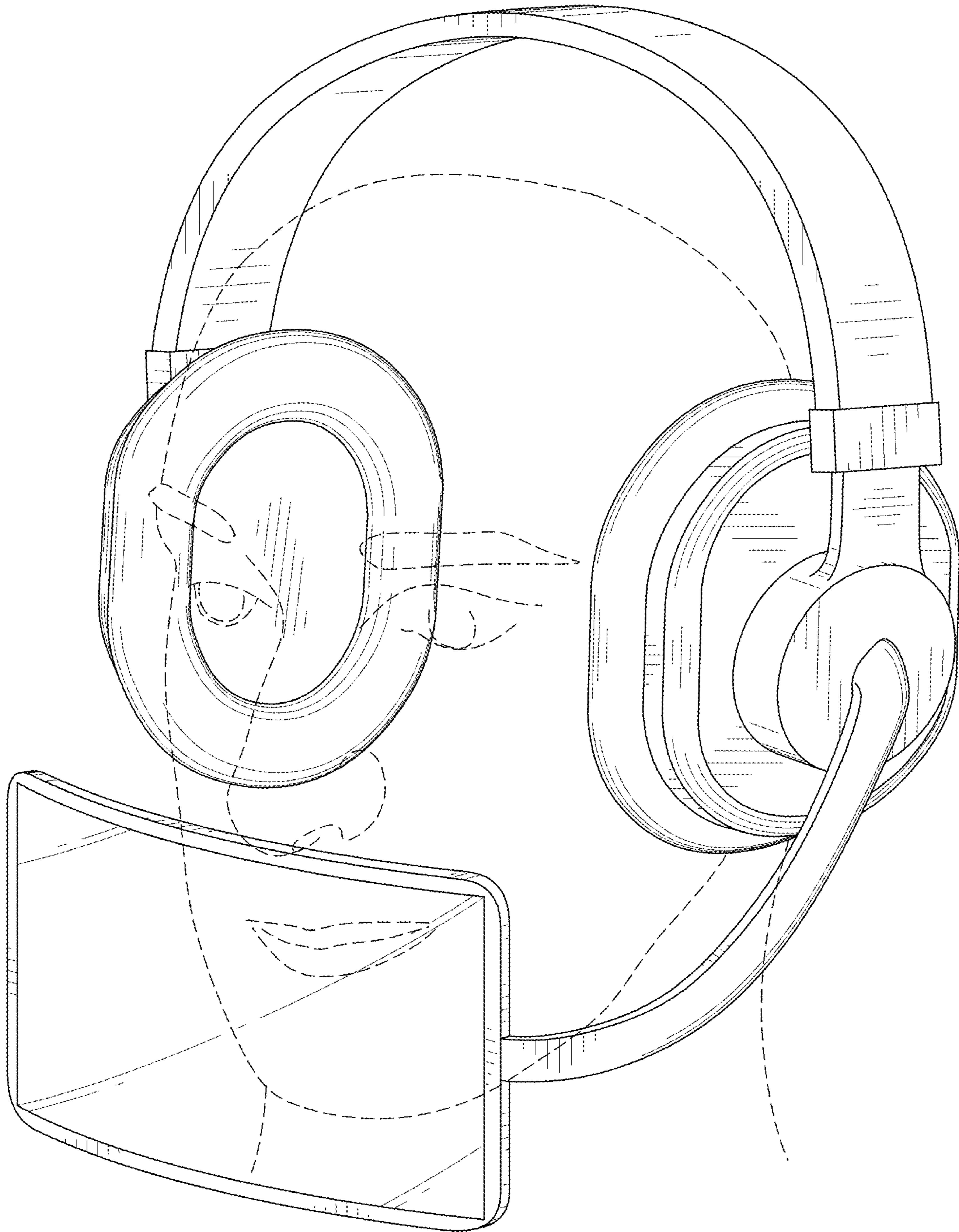


FIG. 8

FIG. 9

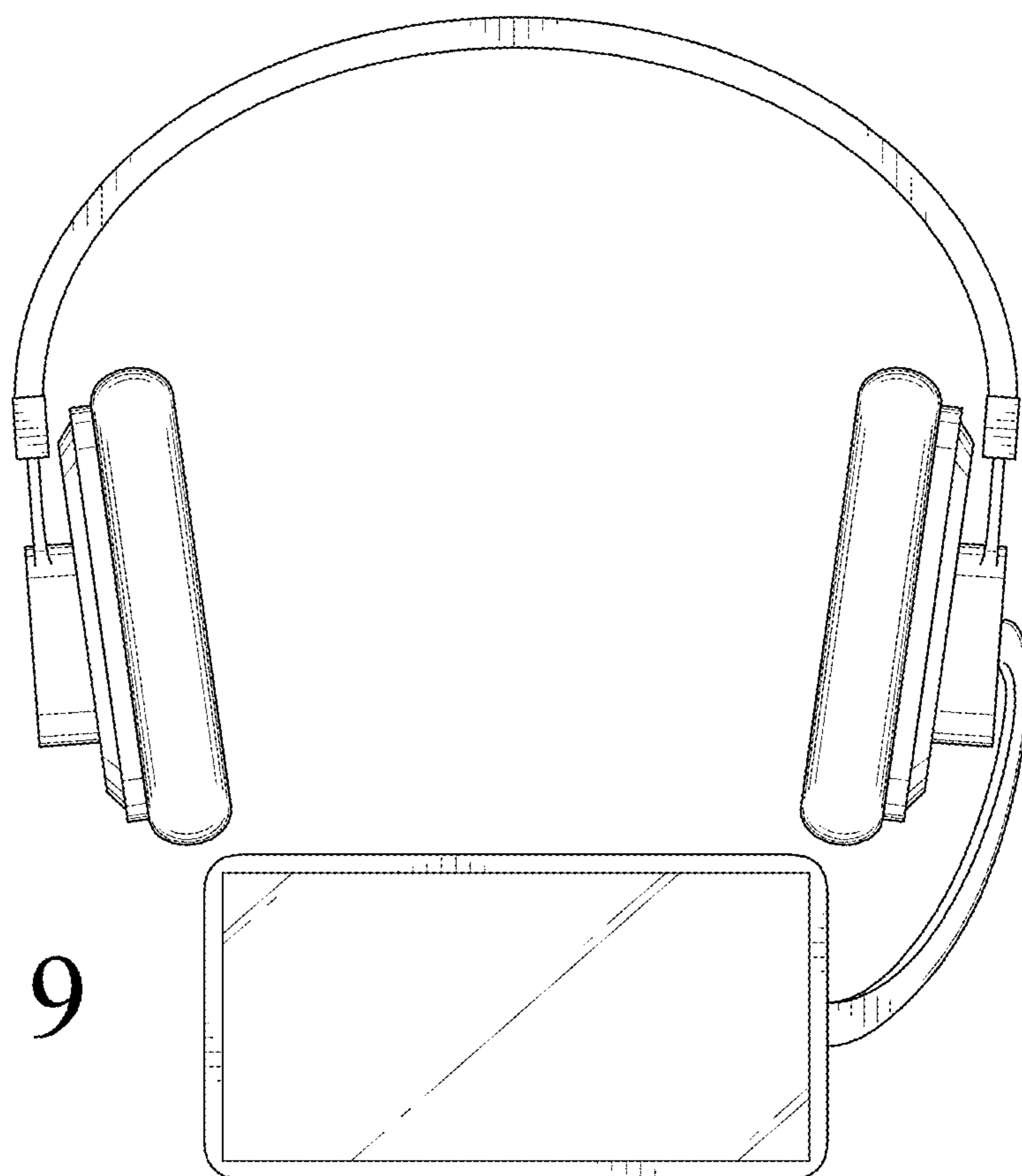


FIG. 10

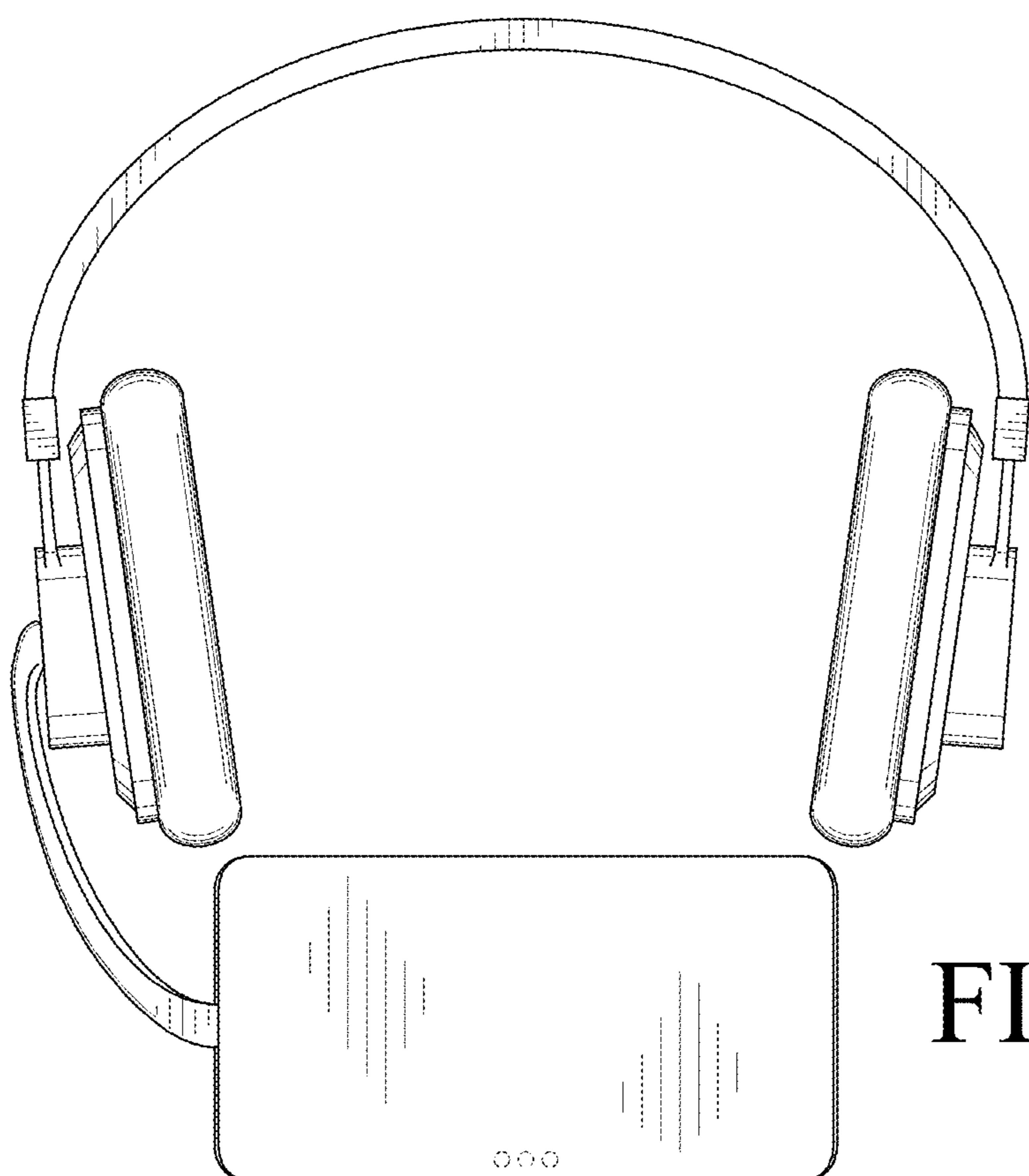


FIG. 11

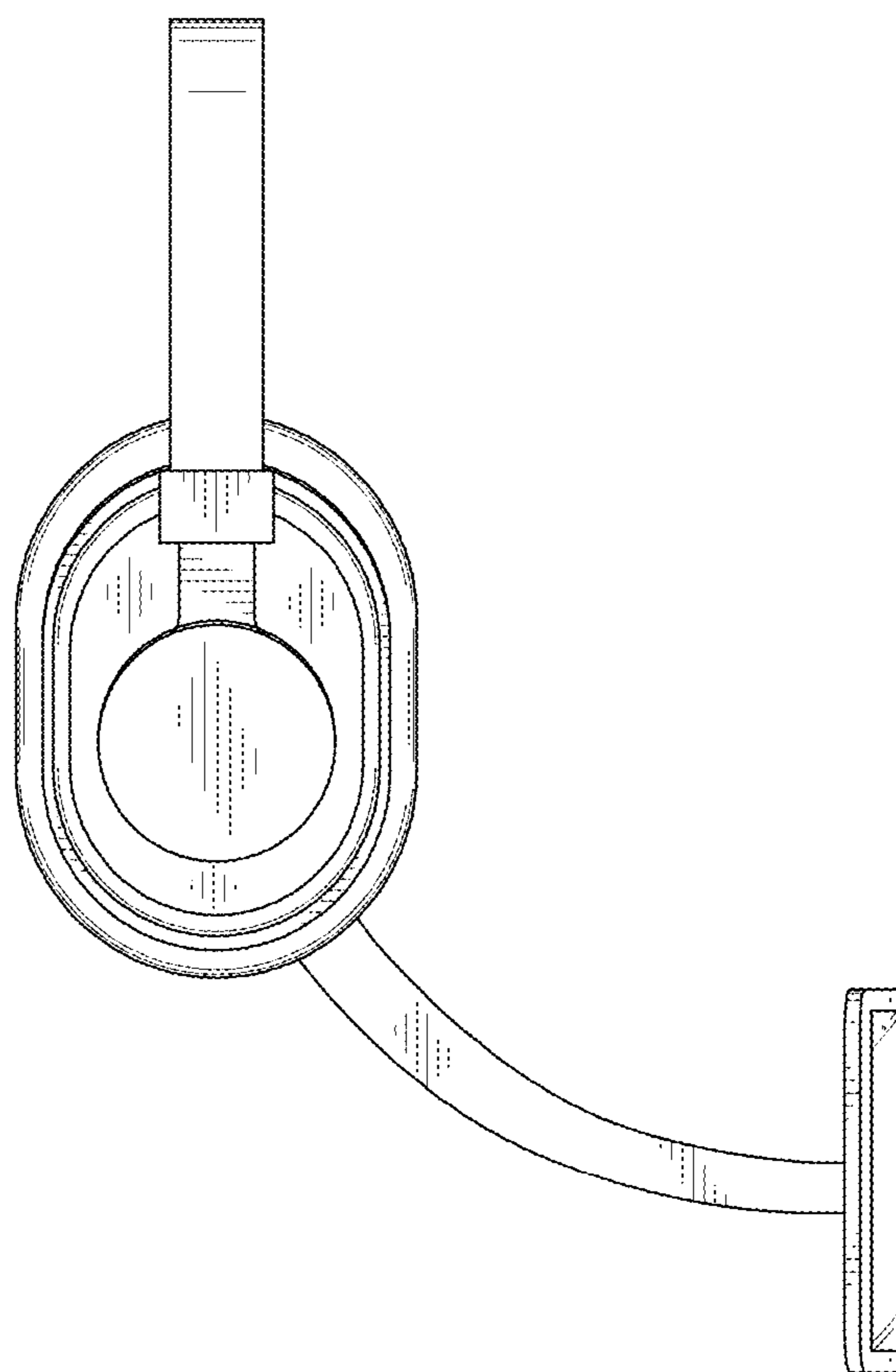
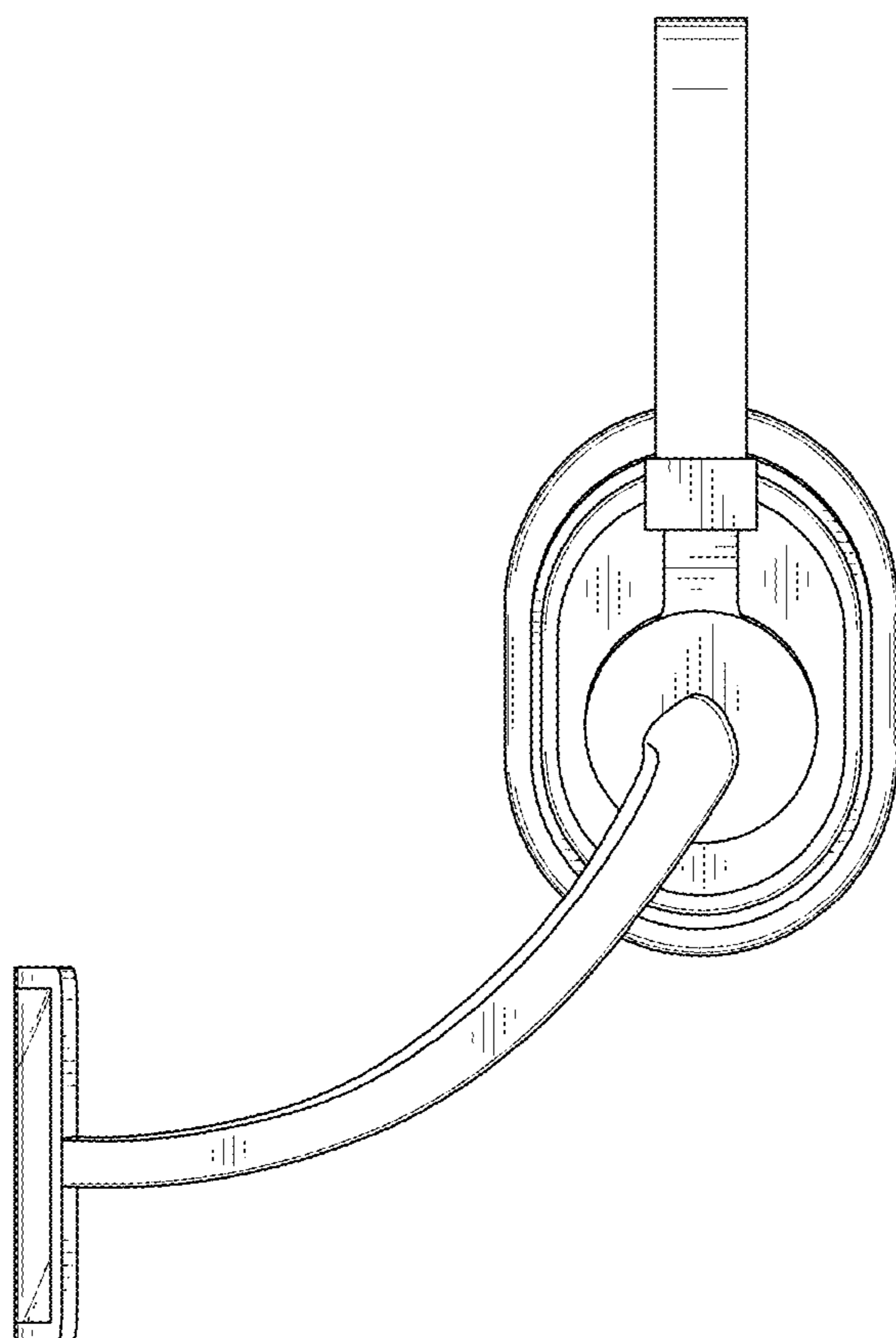


FIG. 12



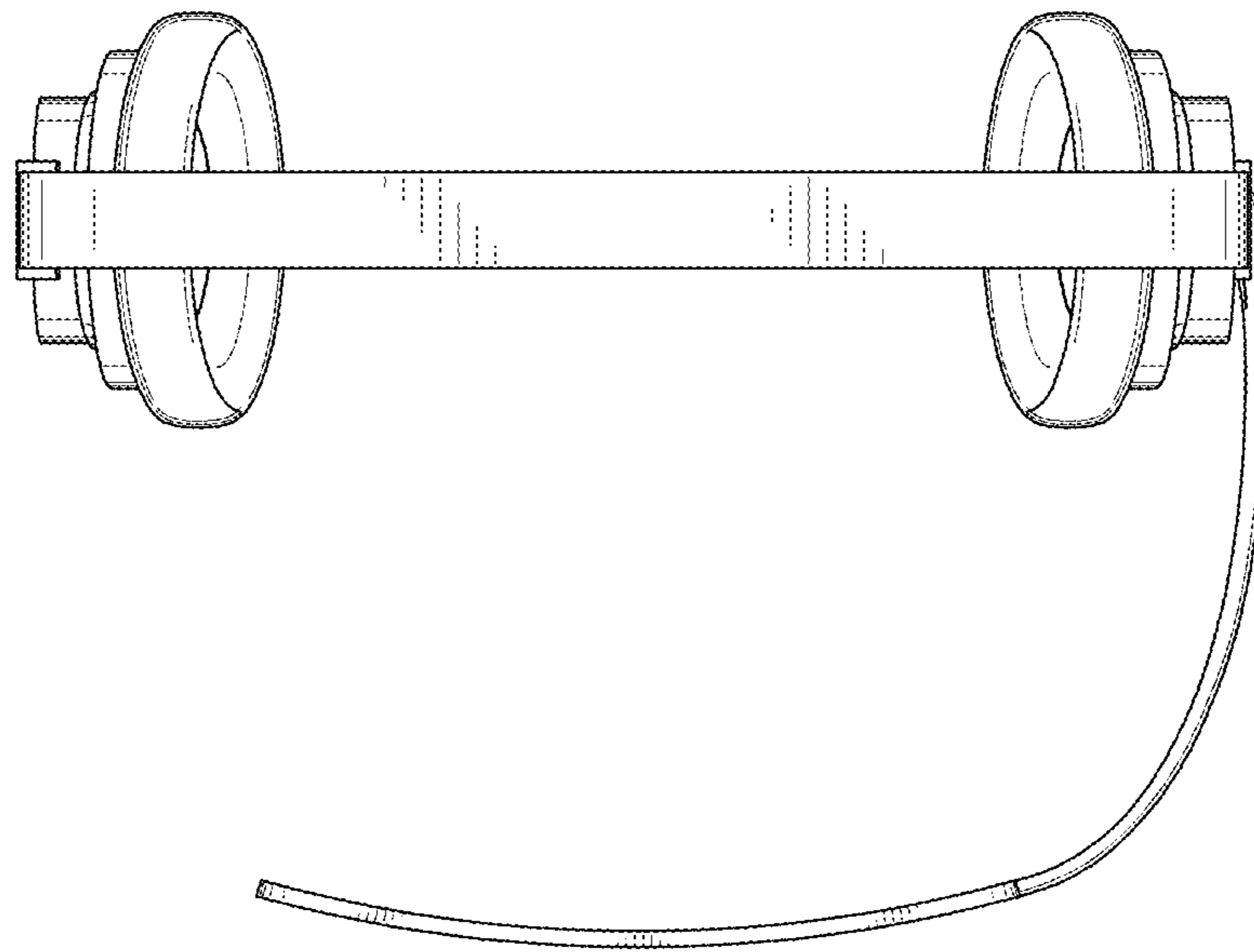


FIG. 13

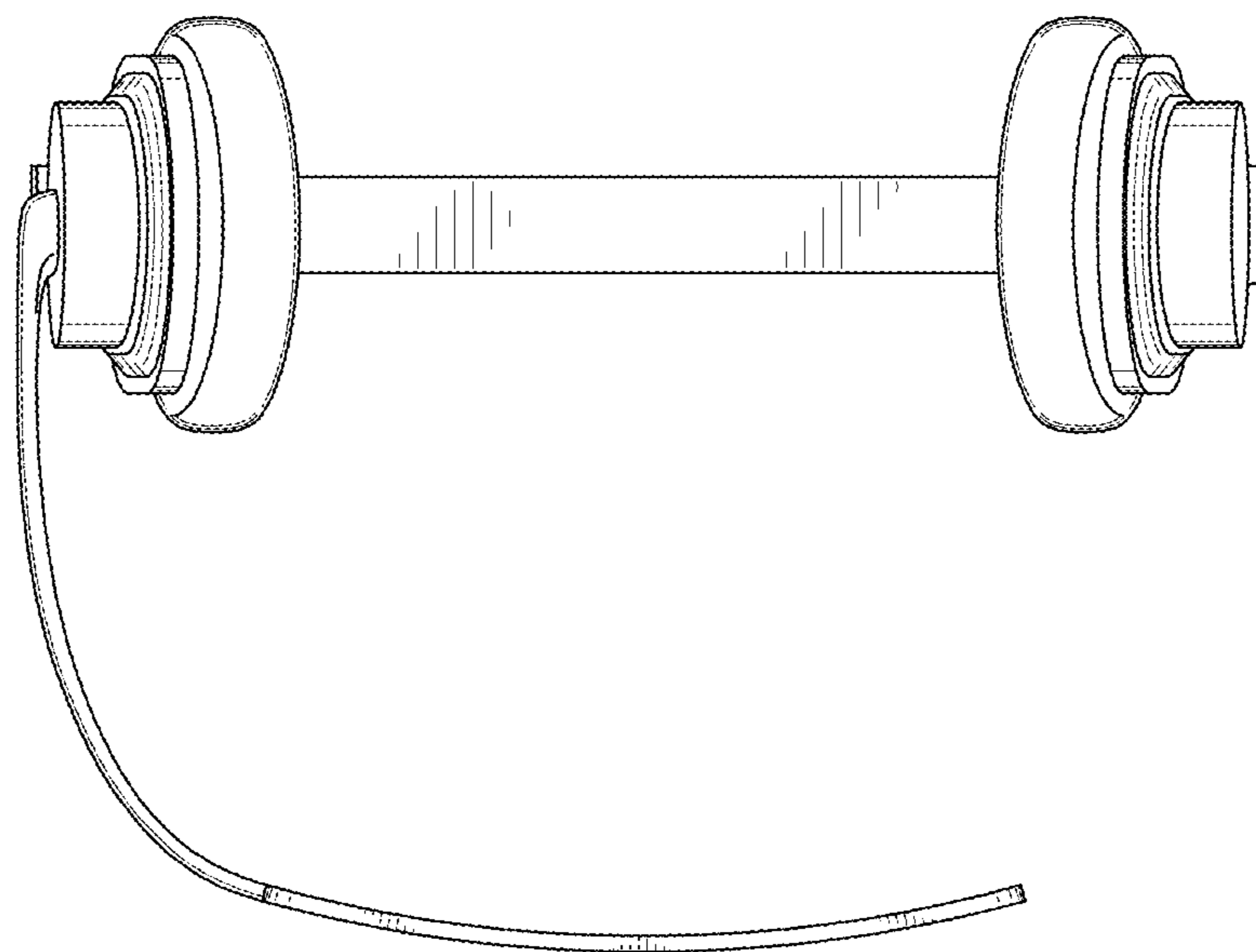


FIG. 14