



US00D872079S

(12) **United States Design Patent**
Huang et al.

(10) **Patent No.:** **US D872,079 S**
(45) **Date of Patent:** **** Jan. 7, 2020**

(54) **DISPLAY DEVICE**

(71) Applicant: **Quanta Computer Inc.**, Taoyuan (TW)

(72) Inventors: **Peng-Yu Huang**, Taoyuan (TW);
Shih-Yun Lee, Taoyuan (TW);
Gwo-Chyuan Chen, Taoyuan (TW)

(73) Assignee: **QUANTA COMPUTER INC.**,
Guishan Dist., Taoyuan (TW)

(**) Term: **15 Years**

(21) Appl. No.: **29/663,684**

(22) Filed: **Sep. 18, 2018**

(51) **LOC (12) Cl.** **14-02**

(52) **U.S. Cl.**
USPC **D14/372**

(58) **Field of Classification Search**
USPC D14/372, 496, 432, 371, 125, 126, 129,
D14/299; D16/300-342; 351/158, 153,
351/144; 345/7-9, 905; 455/344;
348/115, 53, 121, 739
CPC G02B 27/017; G02B 27/0158; G02B
27/0161; G02B 27/0181; G02B 27/0185;
G02B 27/0189

See application file for complete search history.

(56) **References Cited**

U.S. PATENT DOCUMENTS

D785,619 S * 5/2017 Su D14/372
D807,358 S * 1/2018 Huang D14/372

D810,743 S * 2/2018 Yee D14/372
D838,718 S * 1/2019 Chiang D14/372
D839,269 S * 1/2019 Wang D14/372
D842,300 S * 3/2019 Chiang D14/372
D844,605 S * 4/2019 Yeh D14/372
D848,420 S * 5/2019 Boger D14/372
D849,003 S * 5/2019 Chiang D14/372
10,289,157 B2 * 5/2019 Chen G06F 1/163
D856,330 S * 8/2019 Wei D14/372
D857,692 S * 8/2019 Conlee, IV D14/372
D858,522 S * 9/2019 Chen D14/372
D861,680 S * 10/2019 Chou D14/372
D862,464 S * 10/2019 Natsume D14/372

* cited by examiner

Primary Examiner — Austin Murphy

(74) *Attorney, Agent, or Firm* — McClure, Qualey &
Rodack, LLP

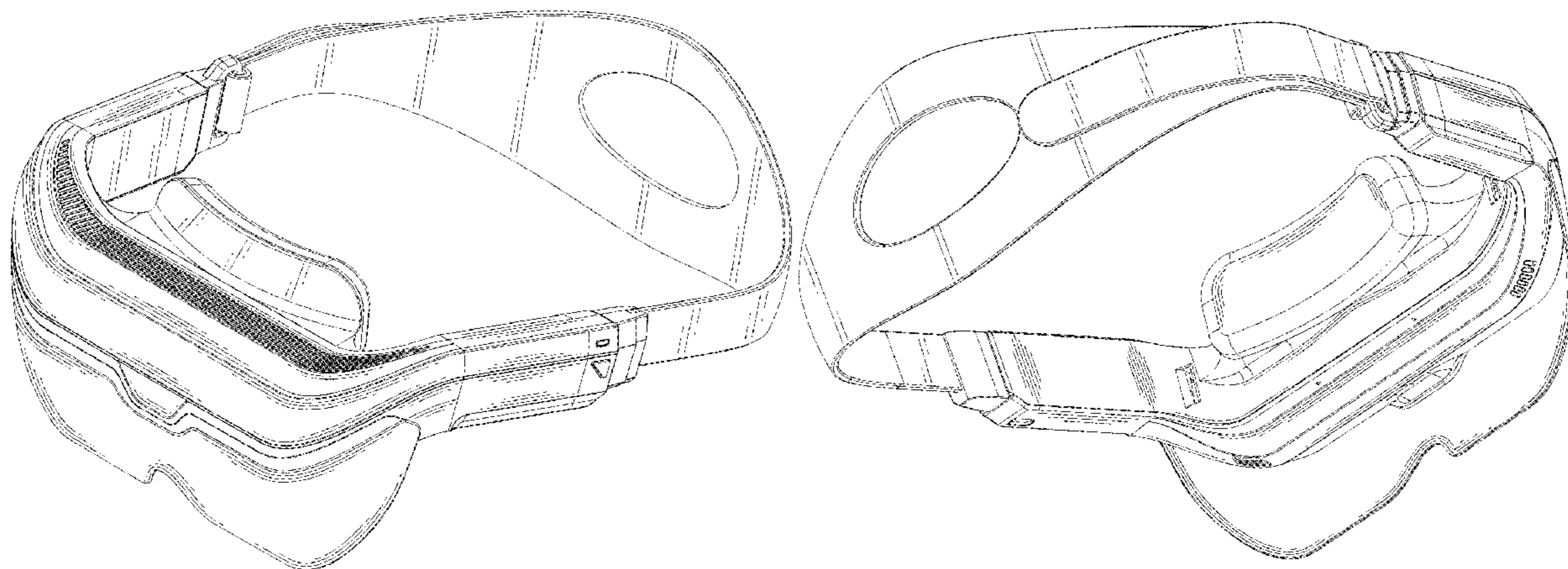
(57) **CLAIM**

The ornamental design for a display device, as shown and described.

DESCRIPTION

FIG. 1 is a front, top and right perspective view of a display device in accordance with our new design;
FIG. 2 is a front view thereof;
FIG. 3 is a rear view thereof;
FIG. 4 is a left side view thereof;
FIG. 5 is a right side view thereof;
FIG. 6 is a top plan view thereof;
FIG. 7 is a bottom plan view thereof; and,
FIG. 8 is a rear, bottom and left perspective view thereof.

1 Claim, 8 Drawing Sheets



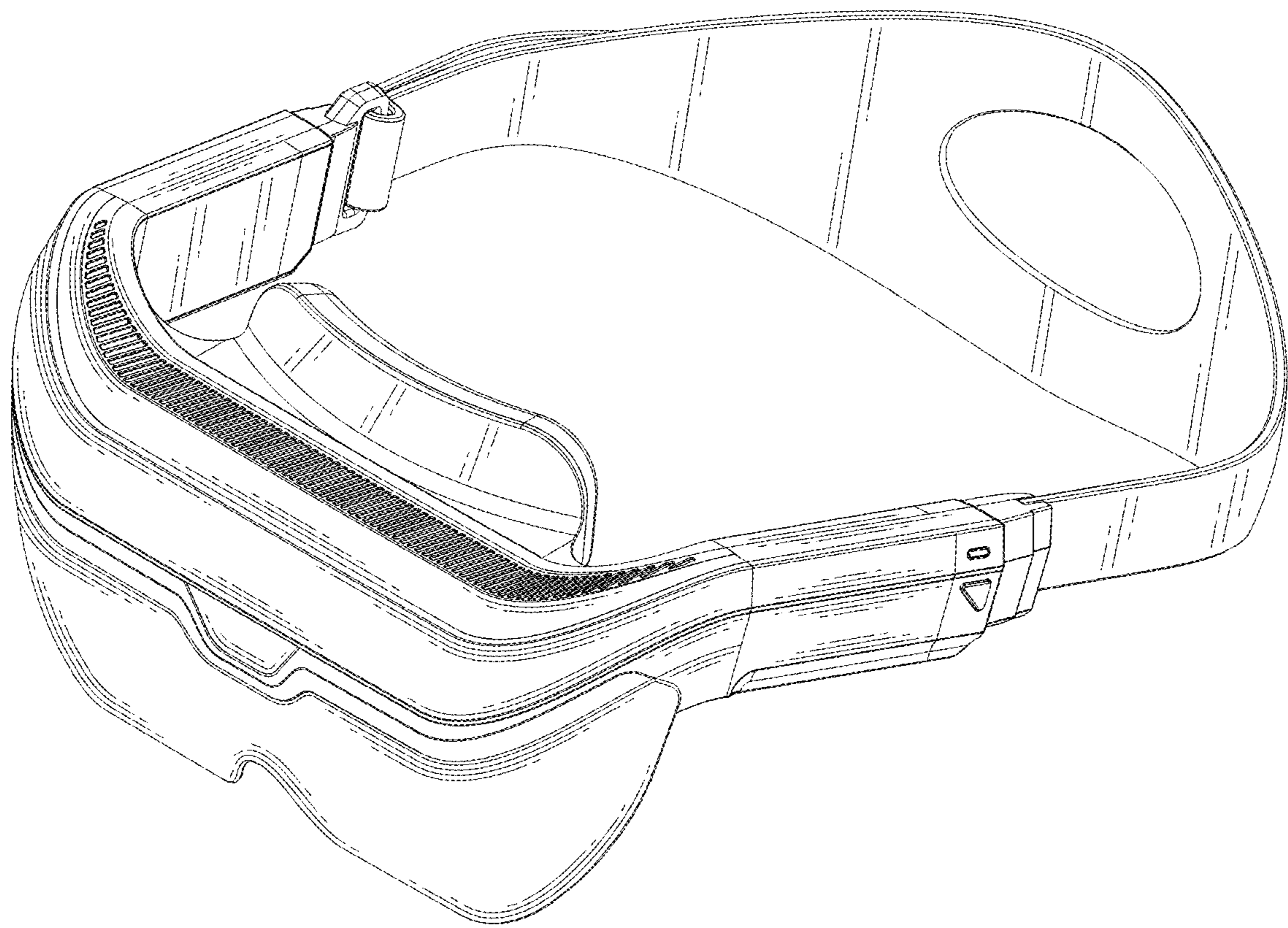


FIG. 1

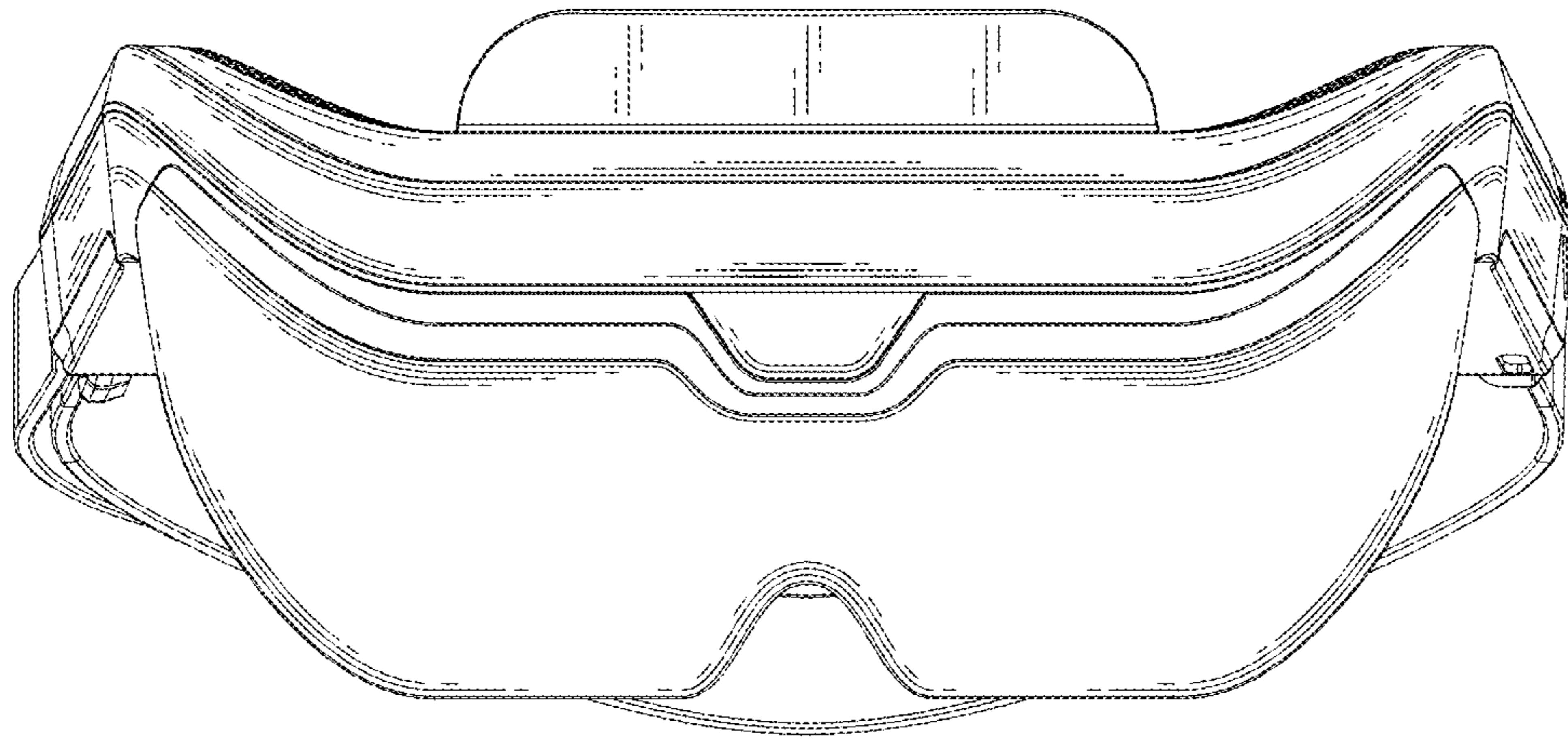


FIG. 2

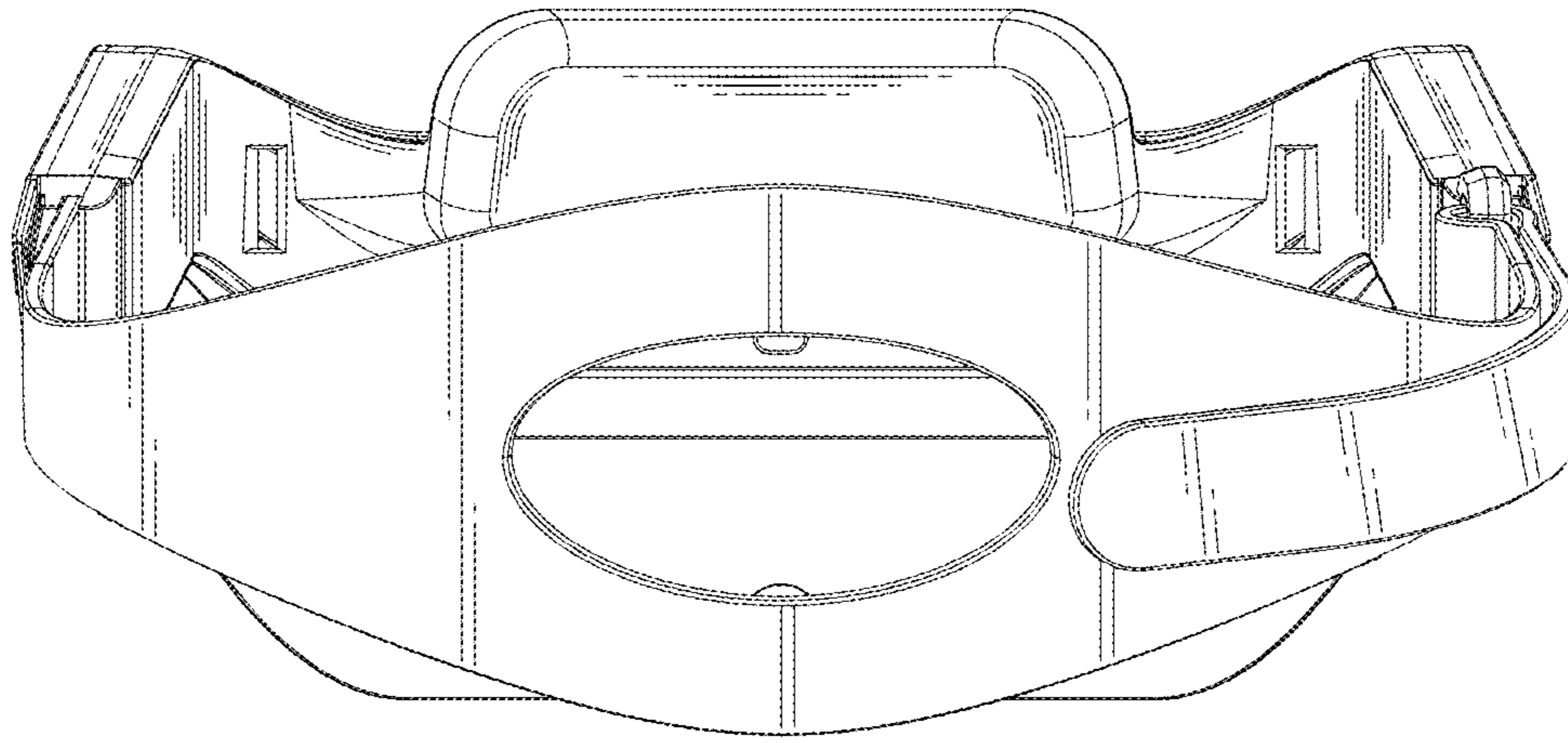


FIG. 3

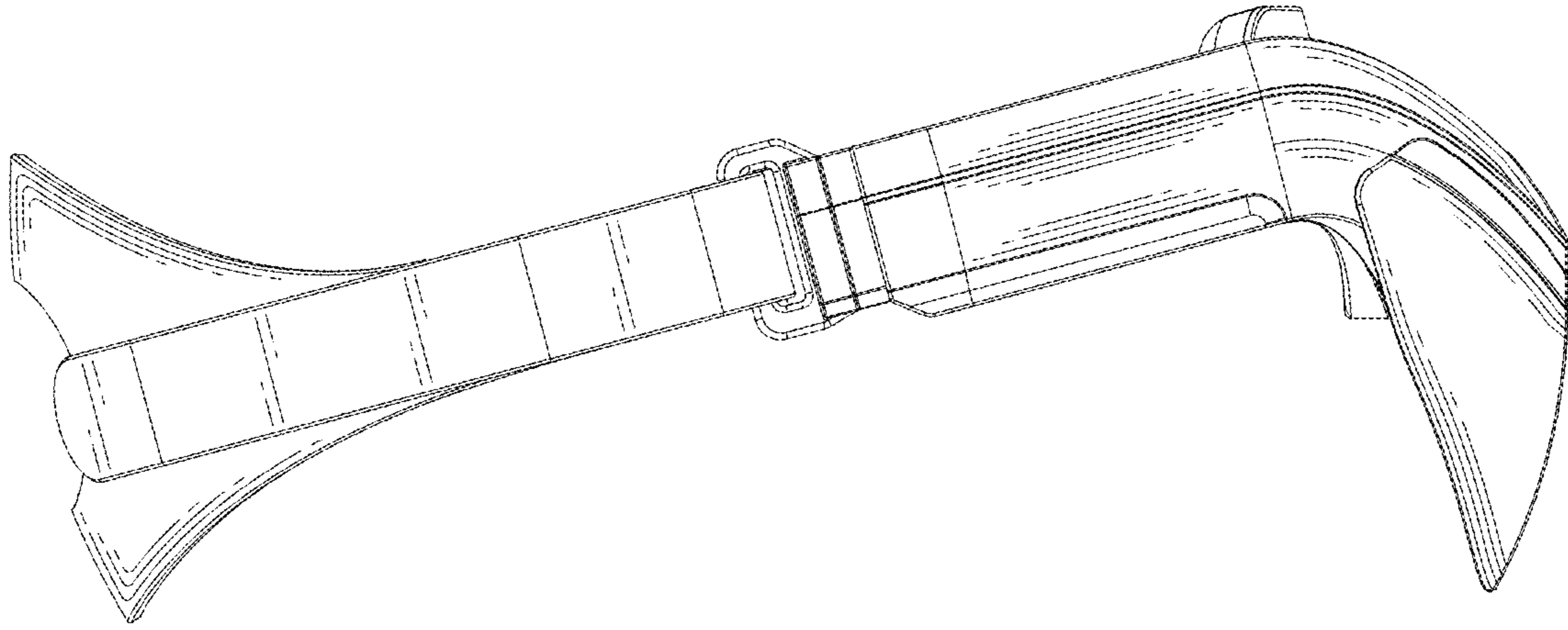


FIG. 4

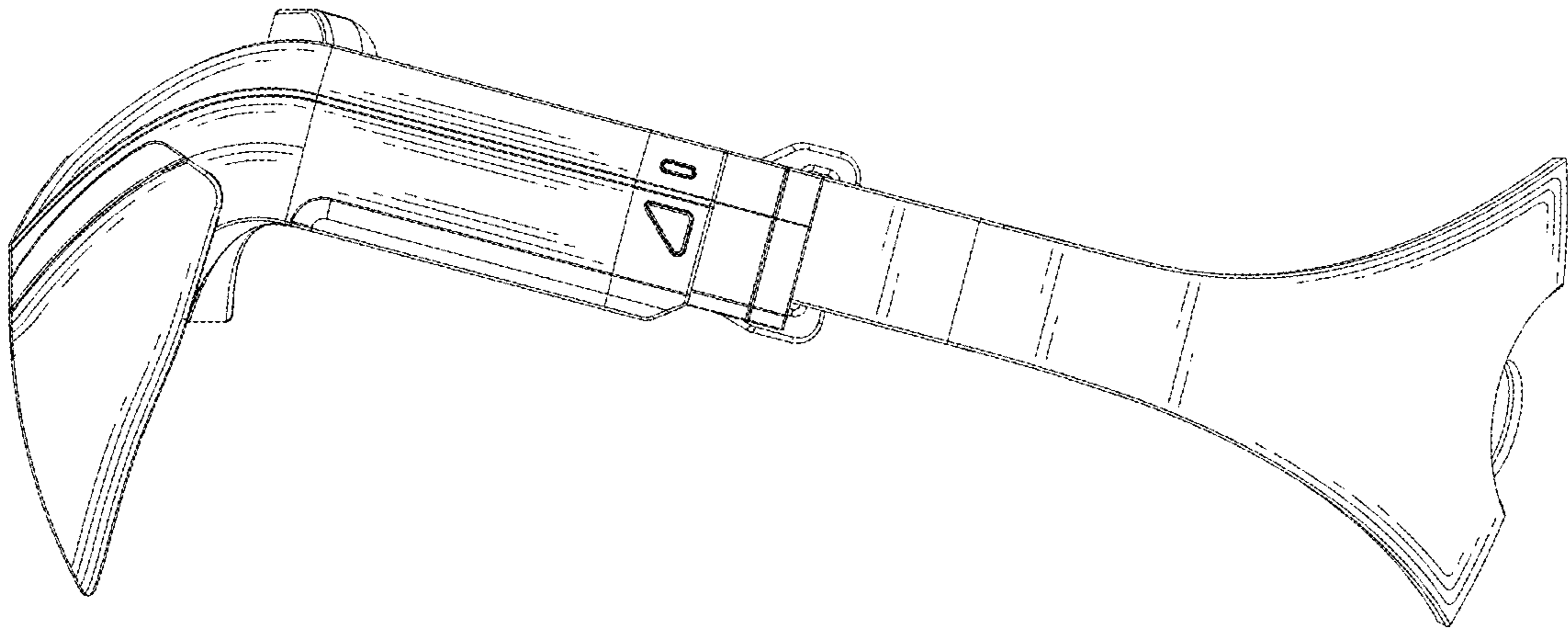


FIG. 5

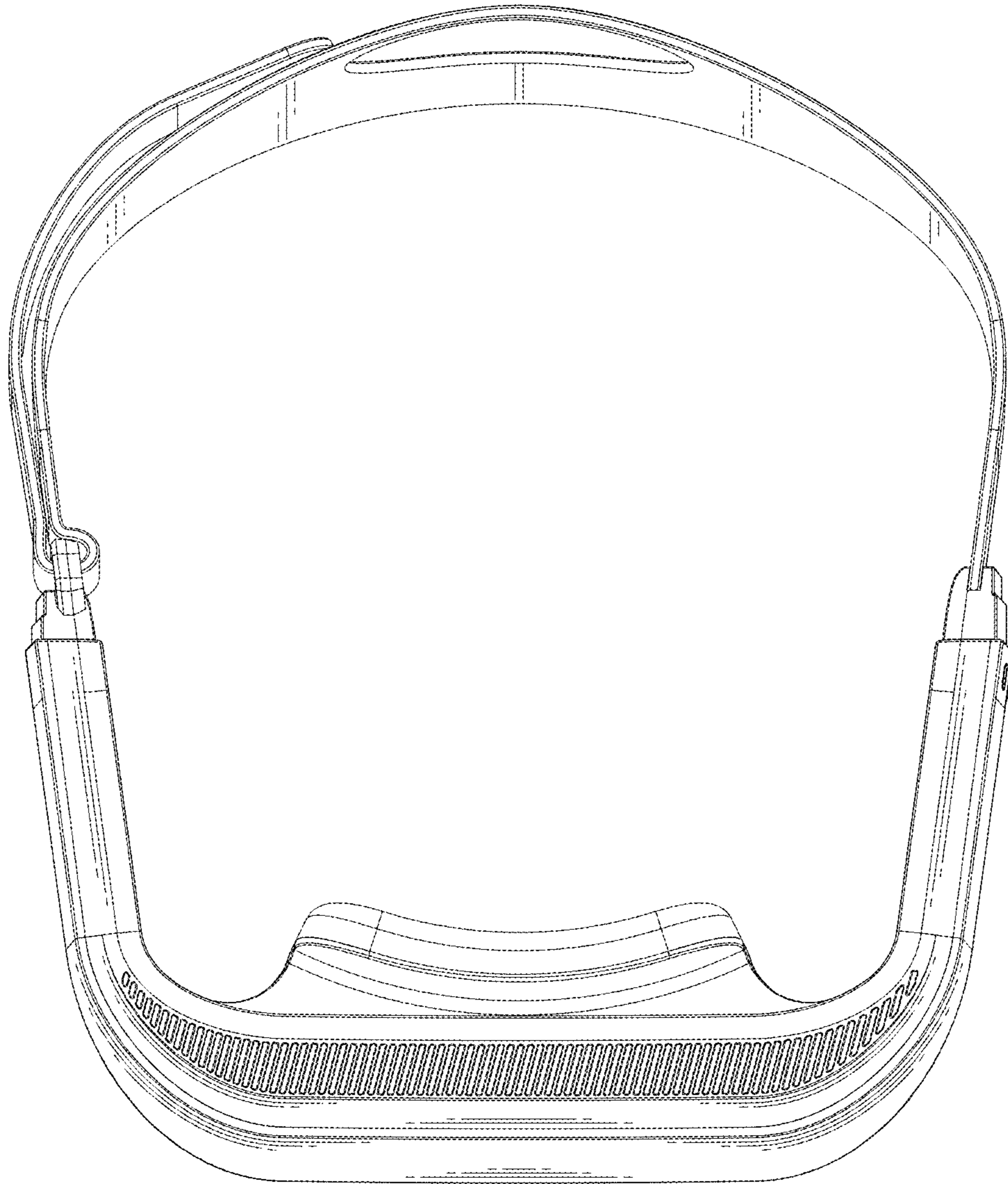


FIG. 6

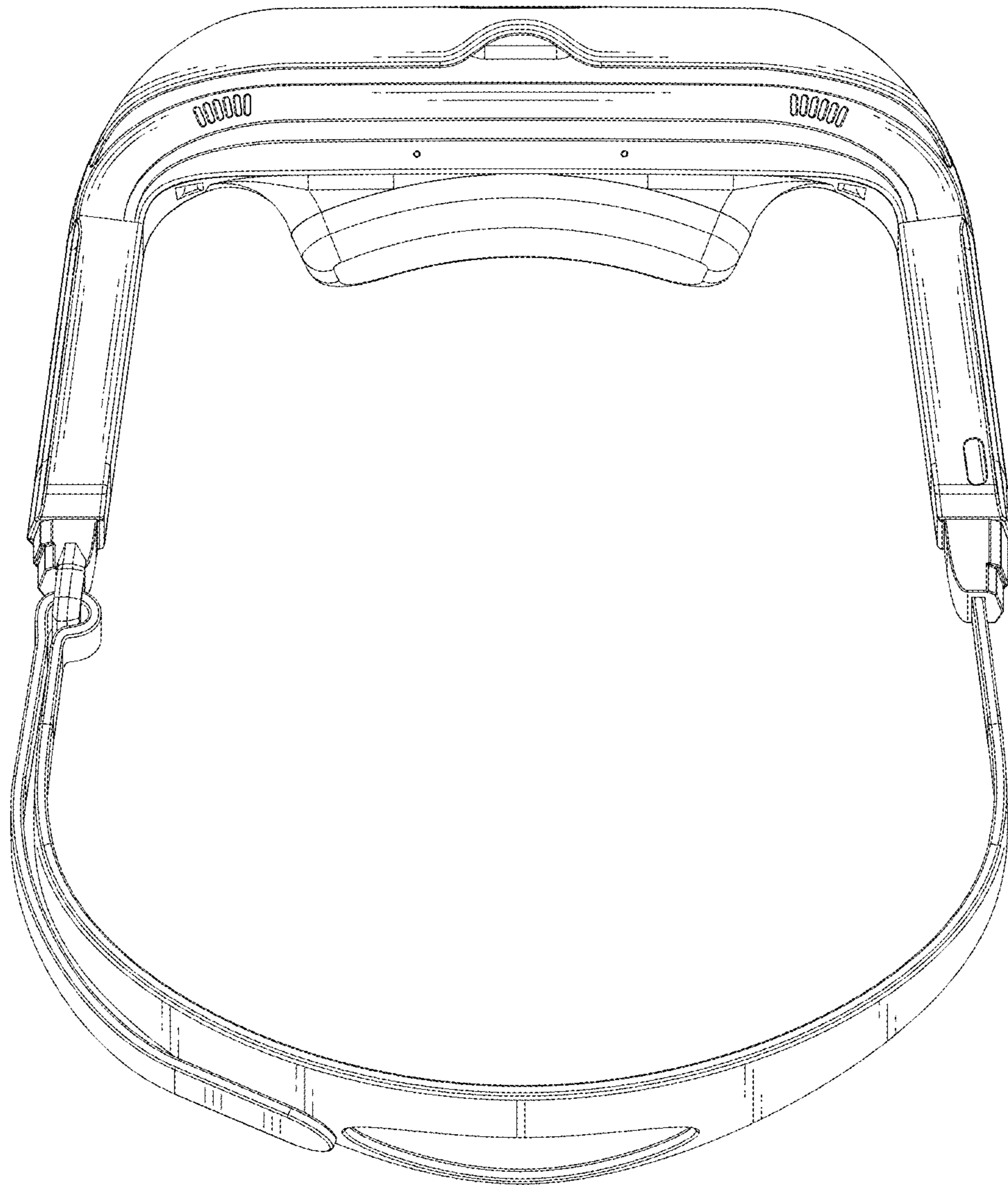


FIG. 7

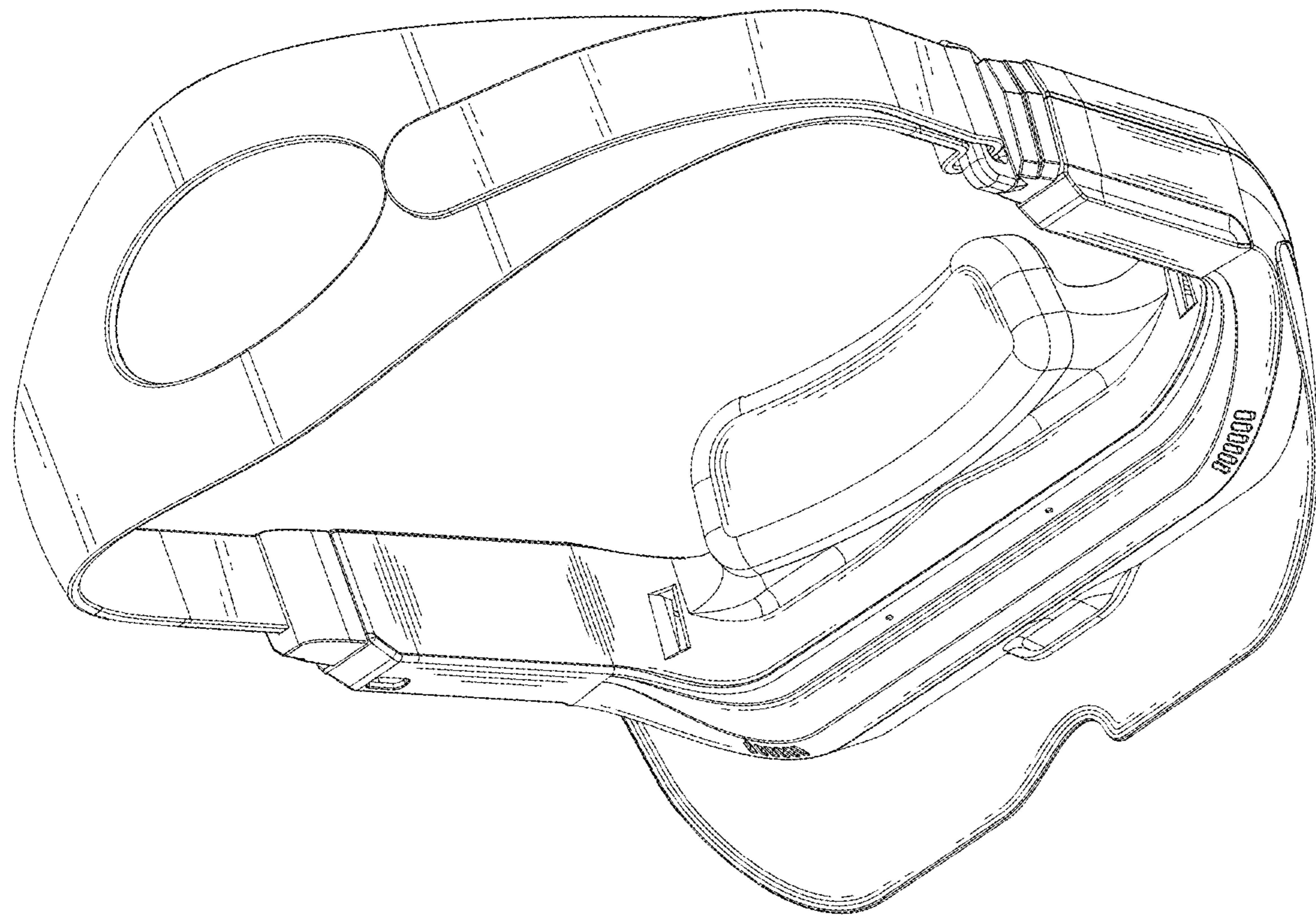


FIG. 8