

US00D872076S

(12) **United States Design Patent**
Kim et al.

(10) **Patent No.:** **US D872,076 S**
(45) **Date of Patent:** **** *Jan. 7, 2020**

(54) **ELECTRONIC DEVICE**

(71) Applicant: **Samsung Electronics Co., Ltd.**,
Suwon-si (KR)

(72) Inventors: **Sungkwon Kim**, Seoul (KR); **Kwanue Hong**,
Yongin-si (KR); **Chungha Kim**, Seoul (KR); **Giha Woo**,
Seoul (KR)

(73) Assignee: **Samsung Electronics Co., Ltd.**,
Suwon-si (KR)

(*) Notice: This patent is subject to a terminal disclaimer.

(**) Term: **15 Years**

(21) Appl. No.: **29/600,404**

(22) Filed: **Apr. 12, 2017**

Related U.S. Application Data

(63) Continuation of application No. 29/559,965, filed on
Apr. 1, 2016, now Pat. No. Des. 828,828.

(30) **Foreign Application Priority Data**

Oct. 2, 2015	(KR)	30-2015-0049912
Oct. 2, 2015	(KR)	30-2015-0049913
Oct. 2, 2015	(KR)	30-2015-0049914
Oct. 2, 2015	(KR)	30-2015-0049915
Oct. 2, 2015	(KR)	30-2015-0049916
Oct. 2, 2015	(KR)	30-2015-0049917
Oct. 2, 2015	(KR)	30-2015-0049918
Oct. 2, 2015	(KR)	30-2015-0049919

(51) **LOC (12) Cl.** **14-02**

(52) **U.S. Cl.**
USPC **D14/341**

(58) **Field of Classification Search**
USPC D14/315-318, 341-347, 420, 426, 240,
D14/129-130, 496, 137, 138 R, 138 AA,
D14/138 AB, 138 AC, 138 AD, 138 G,

D14/203.1-203.8, 248, 336, 371,
D14/388-389; D6/308, 310; D10/104.1,
D10/50, 65, 74; D19/59, 60; D21/324,
D21/329, 332

CPC G06F 15/00; G06F 17/00; G06F 19/00;
G06F 3/041; G06F 3/147; G06F 3/1475;
G06F 3/044

See application file for complete search history.

(56) **References Cited**

U.S. PATENT DOCUMENTS

D624,896 S *	10/2010	Park	D14/138 G
D696,662 S *	12/2013	Song	D14/341
D698,771 S *	2/2014	Park	D14/248
D707,648 S *	6/2014	Ryu	D14/138 G
D760,206 S *	6/2016	Ryu	D14/248
D761,786 S *	7/2016	Satzger	D14/341
D783,586 S *	4/2017	Park	D14/248
D784,324 S *	4/2017	Akana	D14/341

(Continued)

Primary Examiner — Barbara Fox

Assistant Examiner — Dana K Weiland

(74) *Attorney, Agent, or Firm* — NSIP Law

(57) **CLAIM**

We claim the ornamental design for an electronic device, as shown and described.

DESCRIPTION

FIG. 1 is a front perspective view of an electronic device showing our new design;

FIG. 2 is a front view thereof;

FIG. 3 is a rear view thereof;

FIG. 4 is a left-side view thereof;

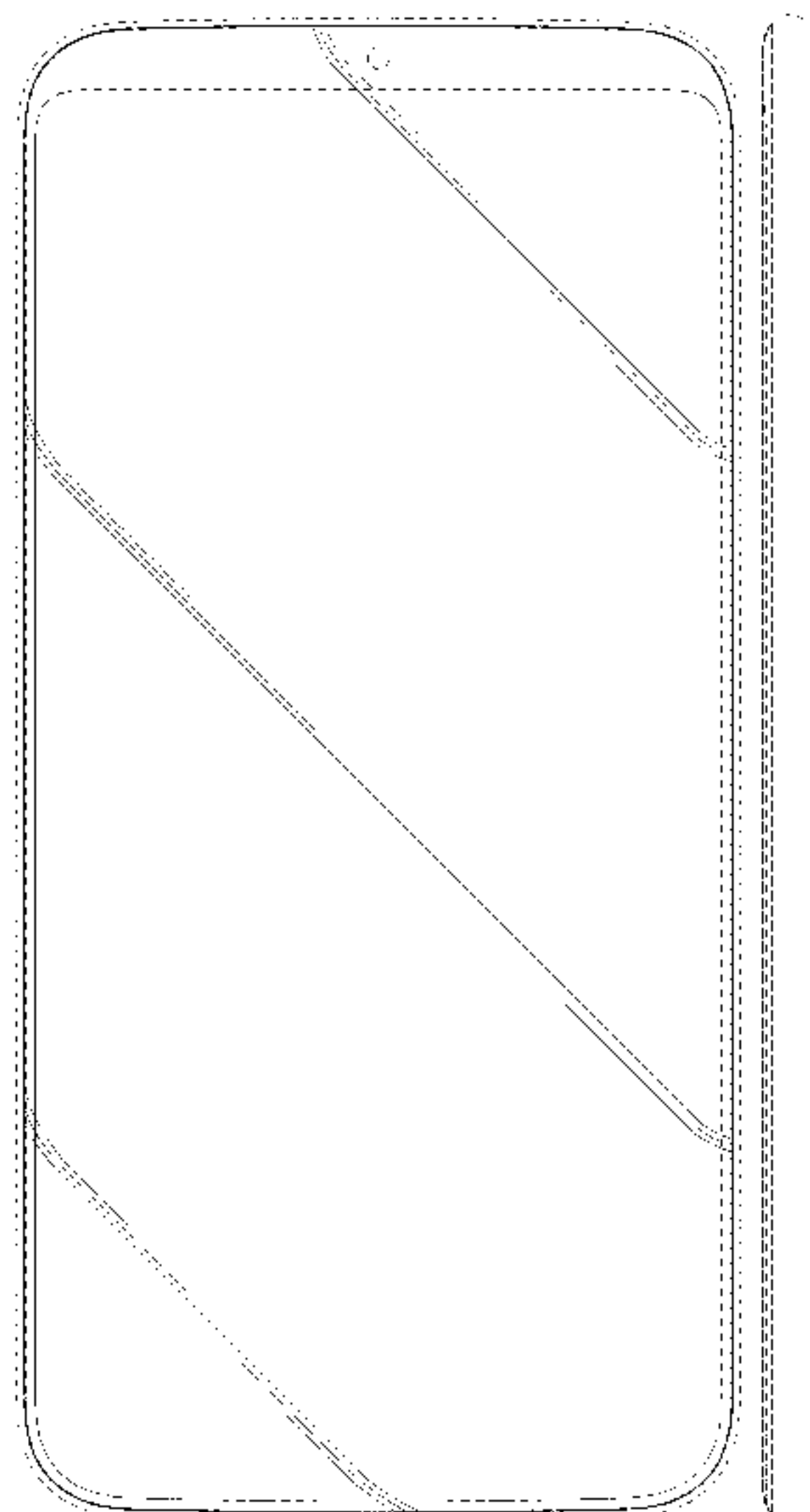
FIG. 5 is a right-side view thereof;

FIG. 6 is a top view thereof; and,

FIG. 7 is a bottom view thereof.

The broken lines in the figures show portions of the electronic device that form no part of the claimed design.

1 Claim, 5 Drawing Sheets



(56)

References Cited

U.S. PATENT DOCUMENTS

D788,735 S * 6/2017 Daniel D14/138 G
D793,982 S * 8/2017 Seo D14/138 G
D793,985 S * 8/2017 Lee D14/138 G
D797,071 S * 9/2017 Seo D14/138 G
D797,072 S * 9/2017 Seo D14/138 G
D801,294 S * 10/2017 Kim D14/138 G
D802,553 S * 11/2017 Berneth D14/138 G
D814,435 S * 4/2018 Kwon D14/138 AB
D815,632 S * 4/2018 Akana D14/341
D815,633 S * 4/2018 Akana D14/341
D815,634 S * 4/2018 Akana D14/341
D816,055 S * 4/2018 Song D14/138 G
D819,591 S * 6/2018 Kwon D14/138 G
D820,833 S * 6/2018 Kim D14/341
D820,836 S * 6/2018 Kim D14/341
D822,017 S * 7/2018 Noh D14/341
D823,845 S * 7/2018 Berneth D14/248
D828,828 S * 9/2018 Kim D14/248
D829,205 S * 9/2018 Akana D14/341
D832,267 S * 10/2018 Akana D14/439
D832,850 S * 11/2018 Oh D14/439
D839,857 S * 2/2019 Berneth D14/248
D840,964 S * 2/2019 Song D14/138 G
D848,390 S * 5/2019 Cha D14/138 G
D849,708 S * 5/2019 Park D14/138 G
2015/0378557 A1 * 12/2015 Jeong G06F 3/0488
715/835
2017/0331507 A1 * 11/2017 Berneth H04B 1/3888

* cited by examiner

FIG.1

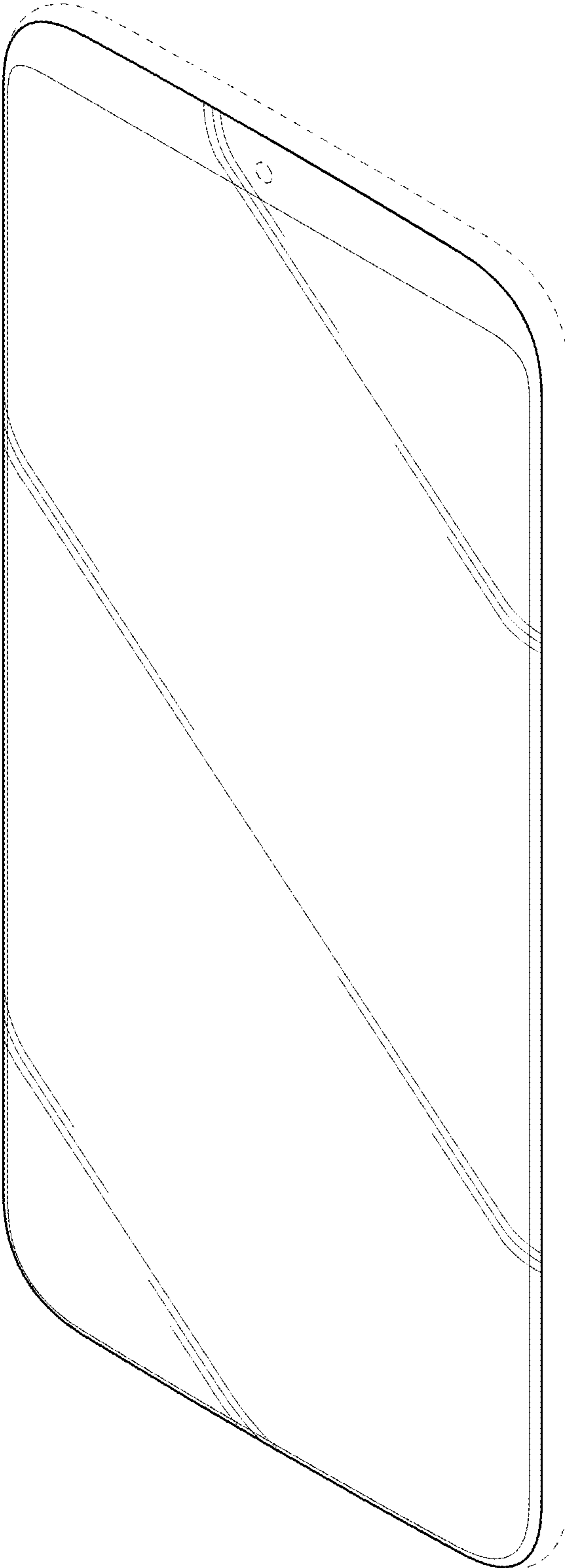


FIG.2

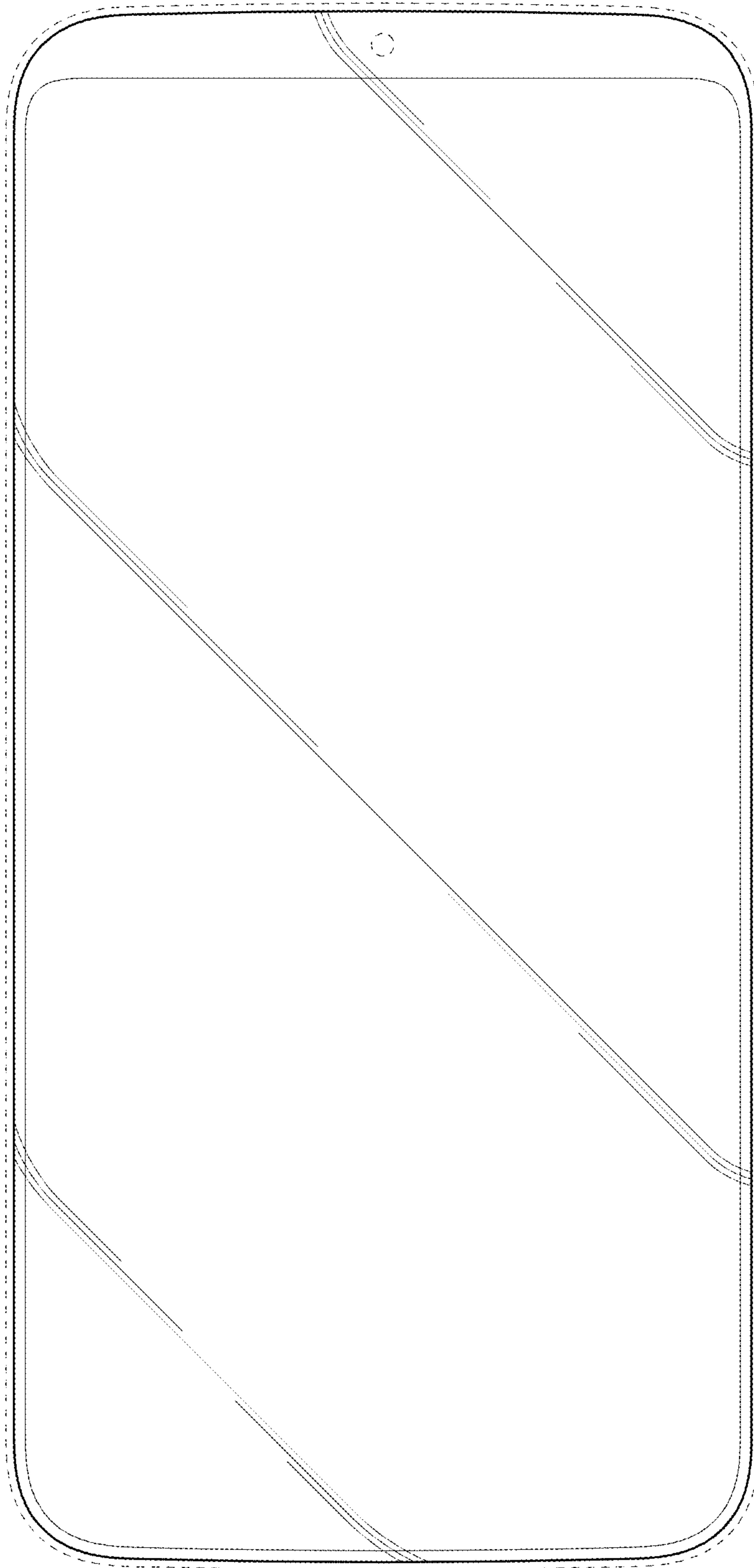


FIG.3



FIG.4

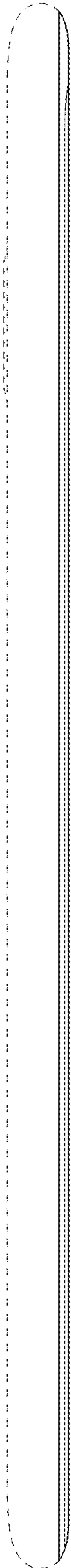


FIG.5

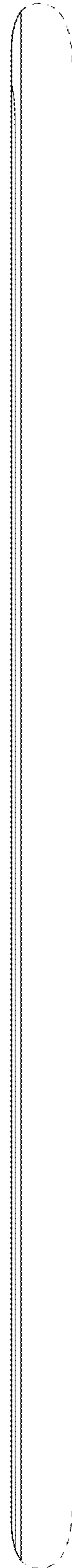


FIG.6

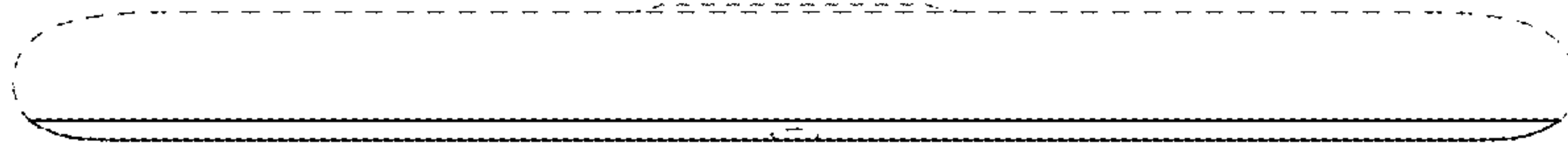


FIG.7

