



US00D872072S

(12) **United States Design Patent** (10) **Patent No.:** **US D872,072 S**
Anderson et al. (45) **Date of Patent:** **** Jan. 7, 2020**

(54) **MOUNTING STAND FOR IMAGE CAPTURE USING A MOBILE DEVICE**

FOREIGN PATENT DOCUMENTS

(71) Applicant: **Ecolab USA Inc.**, St. Paul, MN (US)

CA 2541480 A1 9/2006
WO 9930843 A1 6/1999

(Continued)

(72) Inventors: **Daniel D. Anderson**, Eagan, MN (US);
Florian M. Witt, Wentrof (DE); **Steffen Beckmann**, Soest (DE)

OTHER PUBLICATIONS

(73) Assignee: **ECOLAB USA INC.**, St. Paul, MN (US)

Logitech Wireless charging stand for iPhone 8 and above, online, no post date, <URL: <https://www.logitech.com/en-us/product/powered-iphone-wireless-charging?crd=1537> >, retrieved Mar. 4, 2019.*

(**) Term: **15 Years**

Primary Examiner — Jeffrey D Asch

(21) Appl. No.: **29/621,149**

Assistant Examiner — Rebekah A Caruso

(22) Filed: **Oct. 4, 2017**

(74) *Attorney, Agent, or Firm* — Shumaker & Sieffert, P.A.

(51) **LOC (12) Cl.** **14-99**

(52) **U.S. Cl.**

USPC **D14/253**; D14/447; D16/242

(58) **Field of Classification Search**

USPC D14/250–254, 172, 192, 203.3–203.7, D14/217, 224, 224.1, 229, 238, 238.1, D14/299, 447, 483, 451, 452, 434; D13/103, 107, 108, 119; D3/201, 218, D3/226; D16/242, 245; D10/74; D12/415, 420, 114, 177, 223, 407, 417; D19/75, 77, 91

CPC .. H04M 1/026; H04M 1/0295; H04M 1/0279; H04M 1/0281; H04M 1/0283; H04B 1/3877; H04B 1/3883; H04B 1/3888; A45F 2200/0516; A45F 2200/0525; A45C 11/00; A45C 2011/002; A45C 13/1069; H05K 5/02; H05K 5/0204; H05K 5/0073; H05K 7/14; F16M 13/00; F16M 13/02; F16M 13/022; B60R 11/00; B60R 11/02; B60R 11/0241; B60R 11/0258

See application file for complete search history.

(57) **CLAIM**

The ornamental design for a mounting stand for image capture using a mobile device, as shown and described.

DESCRIPTION

FIG. 1 is a front perspective view of a mounting stand for image capture using a mobile device showing the new design;

FIG. 2 is a front view thereof;

FIG. 3 is a rear view thereof;

FIG. 4 is a right side view thereof;

FIG. 5 is a left side view thereof;

FIG. 6 is a top view thereof;

FIG. 7 is a bottom view thereof; and,

FIG. 8 is another front perspective view thereof.

The broken lines in the figures show portions of the mounting stand for image capture using a mobile device that form no part of the claimed design. Additionally, the broken lines in FIG. 8 showing an exemplary mobile device form no part of the claimed design.

(56) **References Cited**

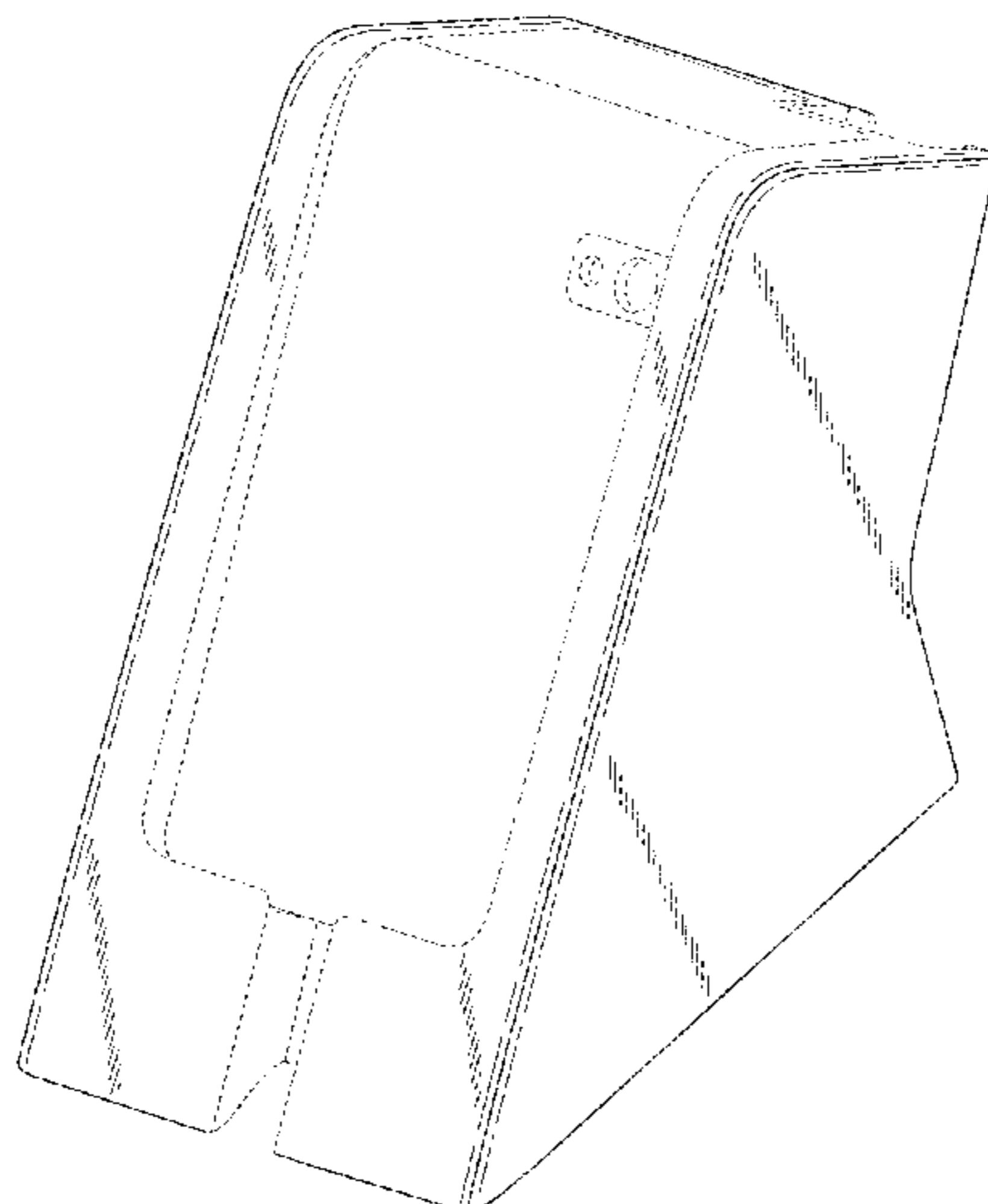
U.S. PATENT DOCUMENTS

D227,117 S * 6/1973 Breger D14/251

D427,315 S * 6/2000 Saltzstein D24/186

(Continued)

1 Claim, 8 Drawing Sheets



(56)

References Cited

U.S. PATENT DOCUMENTS

D605,588 S * 12/2009 Nomi D13/108
D677,669 S * 3/2013 Liu D14/447
D699,246 S * 2/2014 Ringlein D14/447
D715,284 S * 10/2014 Iwamoto D12/415
9,041,985 B2 * 5/2015 Kasahara H04N 1/00997
358/473
D730,886 S * 6/2015 Tseng D14/251
9,329,159 B2 5/2016 Walicki
D768,138 S * 10/2016 Malsan D14/447
9,473,653 B2 * 10/2016 Hayashi H04N 1/00519
D788,778 S * 6/2017 Magi D14/434
D795,323 S 8/2017 Melamed et al.
D808,947 S * 1/2018 Taniho D14/253
D837,180 S * 1/2019 Silva D14/185
2011/0291830 A1 12/2011 Kaiser
2014/0218385 A1 8/2014 Carmi

FOREIGN PATENT DOCUMENTS

WO 0213136 A2 2/2002
WO 2010118124 A2 10/2010
WO 2011089094 A1 7/2011
WO 2014137540 A1 9/2014
WO 2015036311 A1 3/2015

* cited by examiner

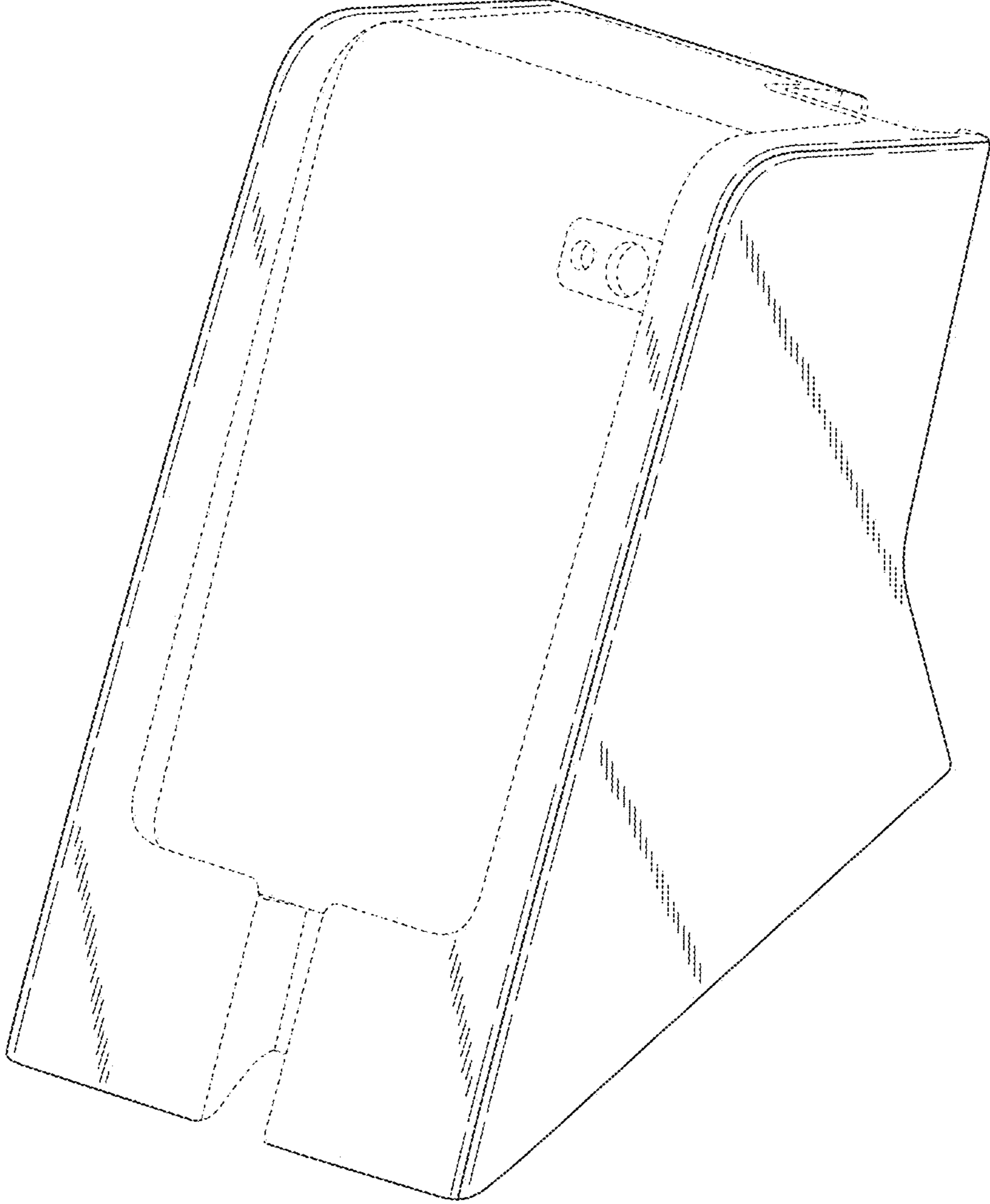


FIG. 1

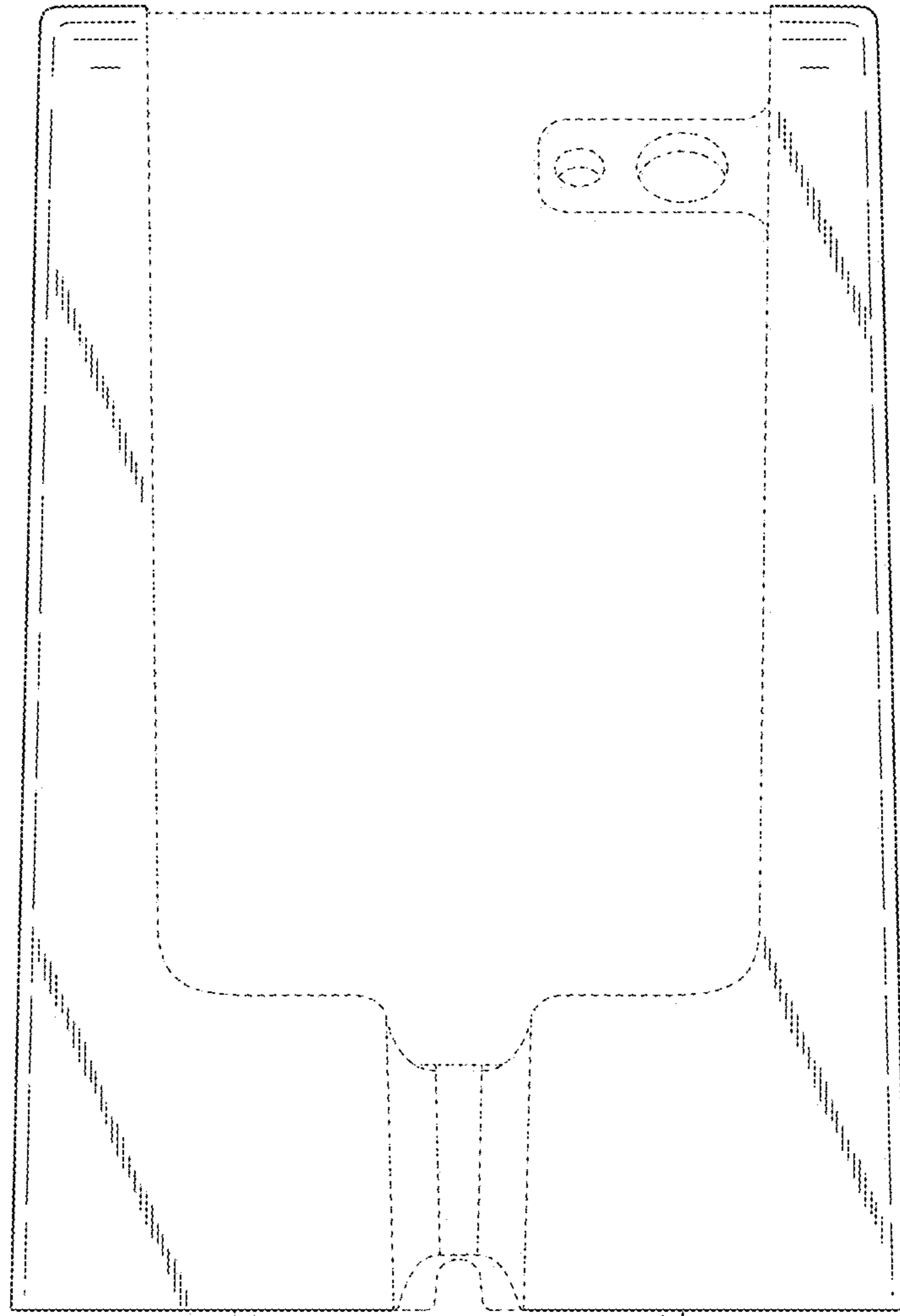


FIG. 2

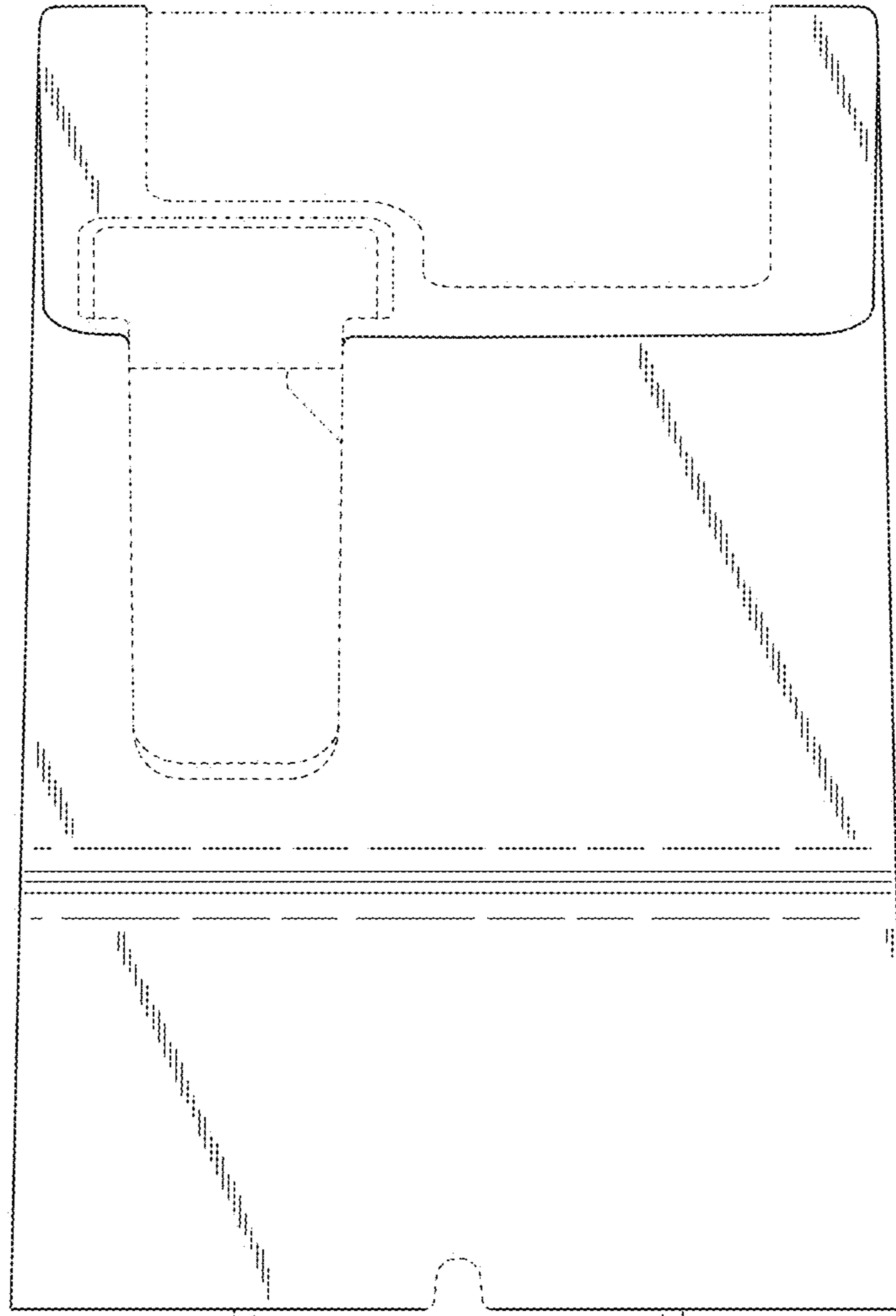


FIG. 3

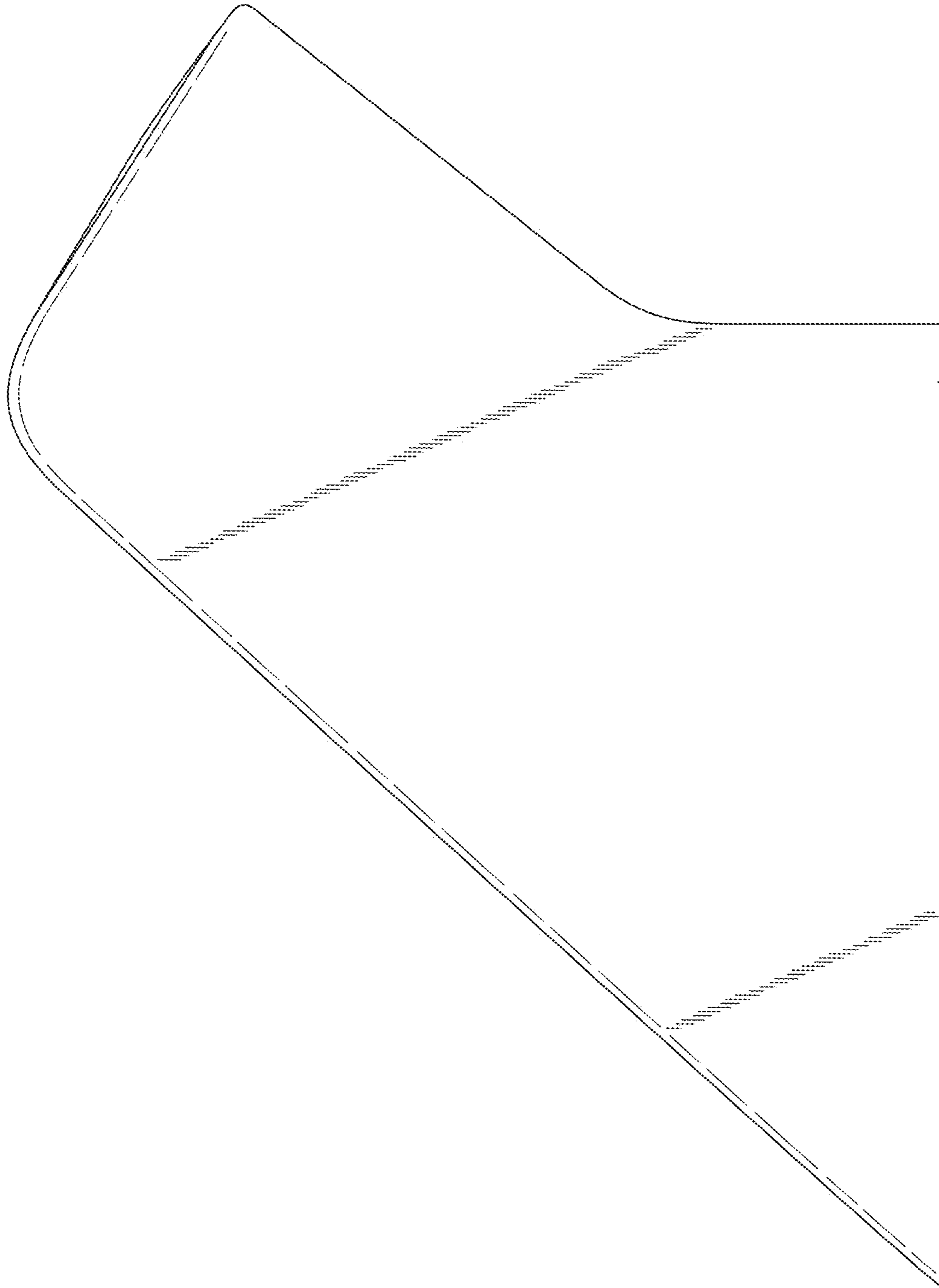


FIG. 4

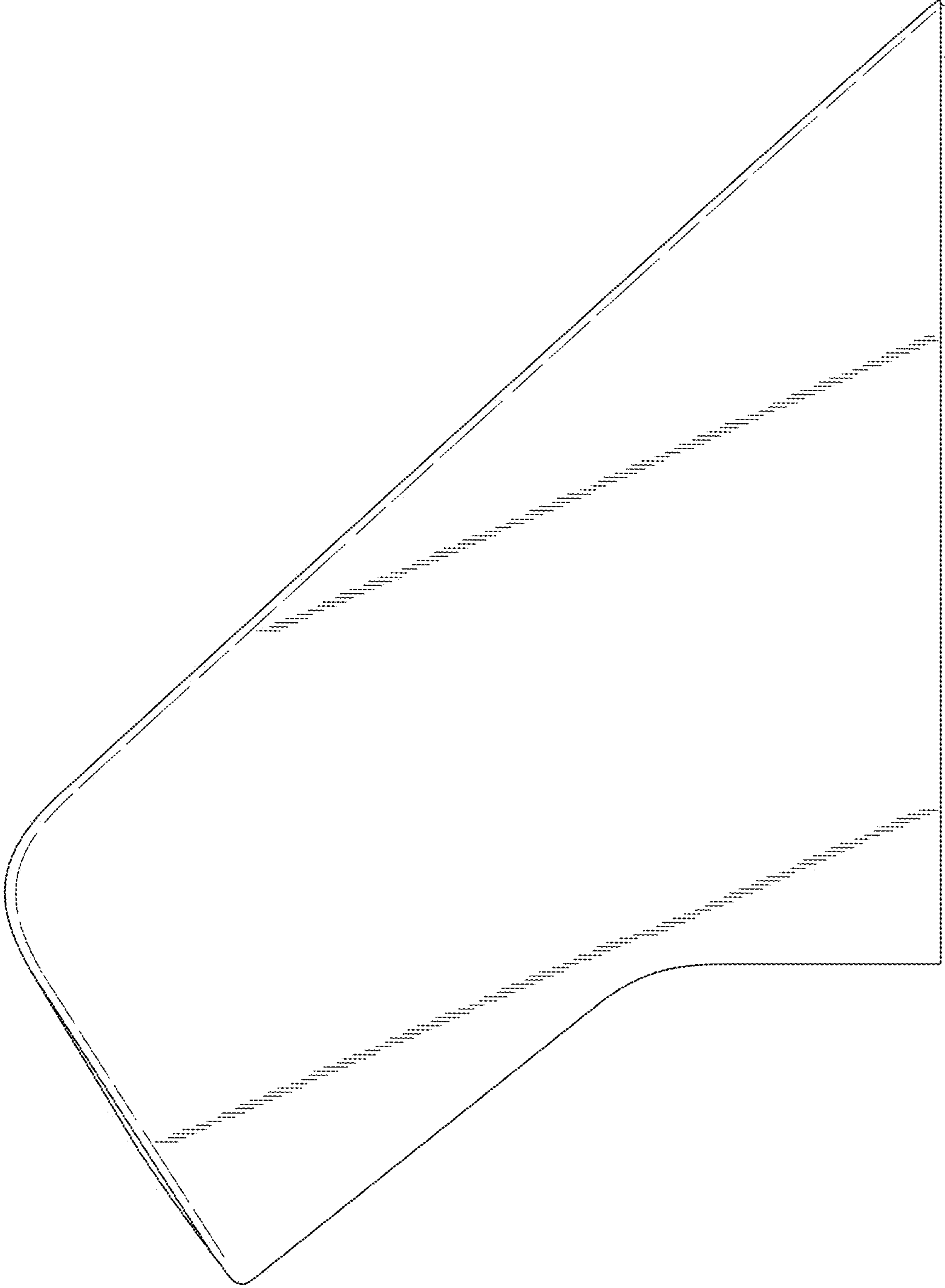


FIG. 5

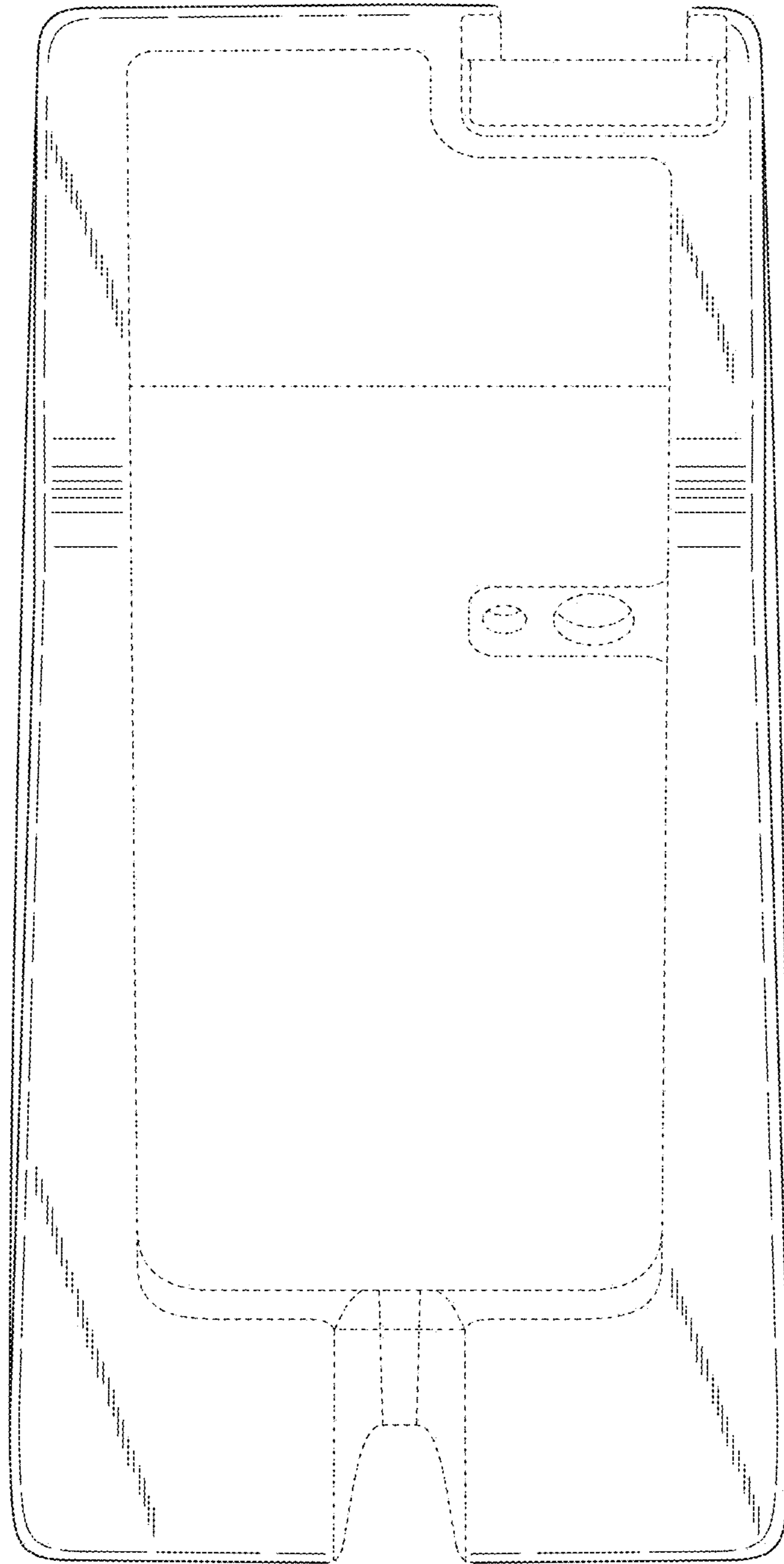


FIG. 6

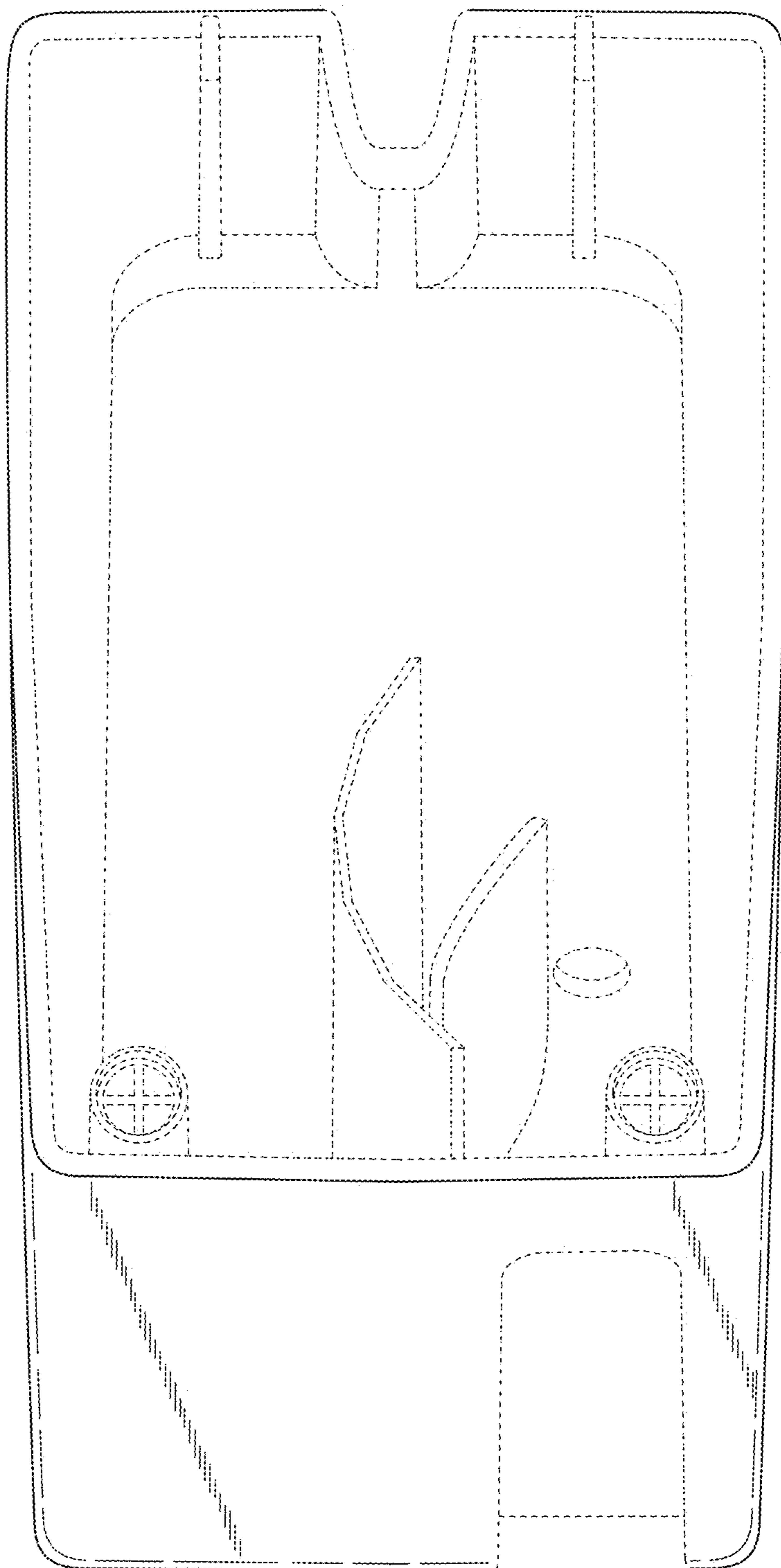


FIG. 7

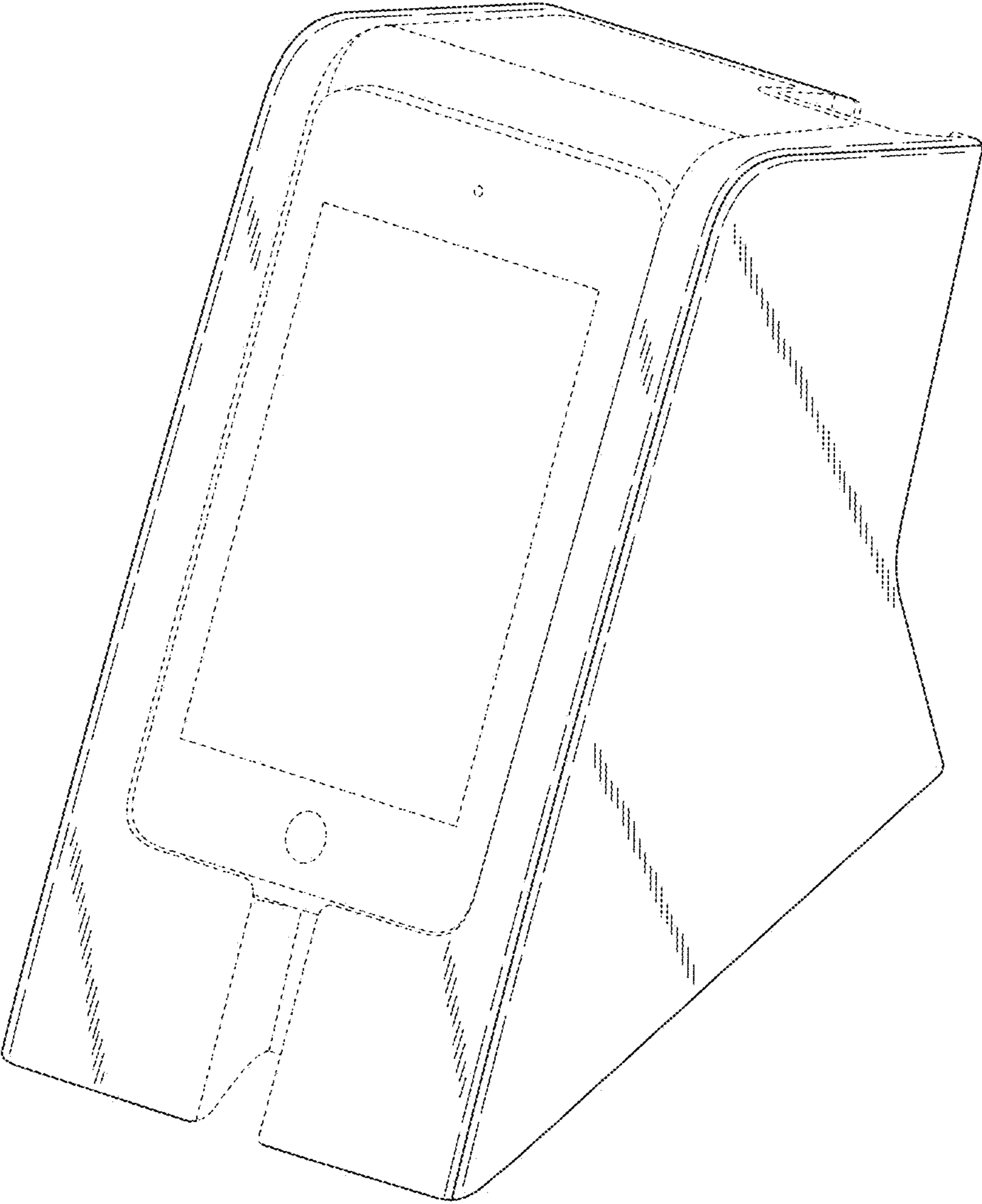


FIG. 8

UNITED STATES PATENT AND TRADEMARK OFFICE
CERTIFICATE OF CORRECTION

PATENT NO. : D872,072 S
APPLICATION NO. : 29/621149
DATED : January 7, 2020
INVENTOR(S) : Daniel D. Anderson, Florian M. Witt and Steffen Beckmann

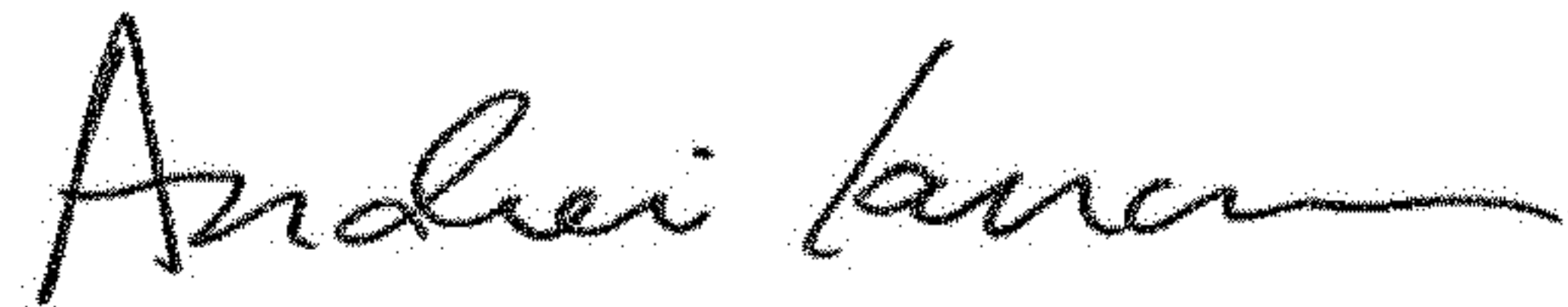
Page 1 of 1

It is certified that error appears in the above-identified patent and that said Letters Patent is hereby corrected as shown below:

On the Title Page

Item (72) Inventors: Florian M. Witt, Replace "Wentrof (DE)" with --Wentorf (DE)--

Signed and Sealed this
Twenty-first Day of April, 2020



Andrei Iancu
Director of the United States Patent and Trademark Office