



US00D872066S

(12) **United States Design Patent**
Bailey et al.

(10) **Patent No.:** **US D872,066 S**
(45) **Date of Patent:** **** Jan. 7, 2020**

(54) **MOUNTING APPARATUS**

(71) Applicant: **QuirkLogic, Inc.**, Calgary (CA)

(72) Inventors: **Matthew Thomas Robert Bailey**,
Ottawa (CA); **Kenneth James Horemans**,
Calgary (CA); **Tamara Rita Drake**,
Calgary (CA); **Michael Howatt Mabey**,
Calgary (CA)

(73) Assignee: **QuirkLogic, Inc.**, Calgary (CA)

(**) Term: **15 Years**

(21) Appl. No.: **29/589,374**

(22) Filed: **Dec. 30, 2016**

(51) **LOC (12) Cl.** **14-03**

(52) **U.S. Cl.**
USPC **D14/239; D8/373**

(58) **Field of Classification Search**
USPC **D14/239; D8/373, 349, 354, 374;**
D6/311

(Continued)

(56) **References Cited**

U.S. PATENT DOCUMENTS

7,537,189 B2 * 5/2009 Jung F16M 11/10
248/281.11
8,154,885 B2 * 4/2012 Anderson F16M 13/02
248/917

(Continued)

Primary Examiner — Eliza Z Bennett-Hattan

(74) *Attorney, Agent, or Firm* — Chamberlain, Hrdlicka,
White, Williams & Aughtry

(57) **CLAIM**

The ornamental design for a mounting apparatus, as shown
and described.

DESCRIPTION

FIG. 1 is a perspective view of mounting apparatus showing
a first embodiment of our new design;

FIG. 2 is a front view of the first embodiment of the
mounting apparatus of FIG. 1;

FIG. 3 is a rear view of the first embodiment of the mounting
apparatus of FIG. 1;

FIG. 4 is a left view of the first embodiment of the mounting
apparatus of FIG. 1;

FIG. 5 is a right view of the first embodiment of the
mounting apparatus of FIG. 1;

FIG. 6 is a top view of the first embodiment of the mounting
apparatus of FIG. 1;

FIG. 7 is a bottom view of the first embodiment of the
mounting apparatus of FIG. 1;

FIG. 8 is a back perspective view of the first embodiment of
the mounting apparatus of FIG. 1;

FIG. 9 is a perspective view of mounting apparatus showing
a second embodiment of our new design;

FIG. 10 is a front view of the second embodiment of the
mounting apparatus of FIG. 9;

FIG. 11 is a rear view of the second embodiment of the
mounting apparatus of FIG. 9;

FIG. 12 is a left view of the second embodiment of the
mounting apparatus of FIG. 9;

FIG. 13 is a right view of the second embodiment of the
mounting apparatus of FIG. 9;

FIG. 14 is a top view of the second embodiment of the
mounting apparatus of FIG. 9;

FIG. 15 is a bottom view of the second embodiment of the
mounting apparatus of FIG. 9;

FIG. 16 is a back perspective view of the second embodi-
ment of the mounting apparatus of FIG. 9;

FIG. 17 is a perspective view of mounting apparatus show-
ing a third embodiment of our new design;

FIG. 18 is a front view of the third embodiment of the
mounting apparatus of FIG. 17;

FIG. 19 is a rear view of the third embodiment of the
mounting apparatus of FIG. 17;

FIG. 20 is a left view of the third embodiment of the
mounting apparatus of FIG. 17;

FIG. 21 is a right view of the third embodiment of the
mounting apparatus of FIG. 17;

FIG. 22 is a top view of the third embodiment of the
mounting apparatus of FIG. 17;

FIG. 23 is a bottom view of the third embodiment of the
mounting apparatus of FIG. 17;

(Continued)

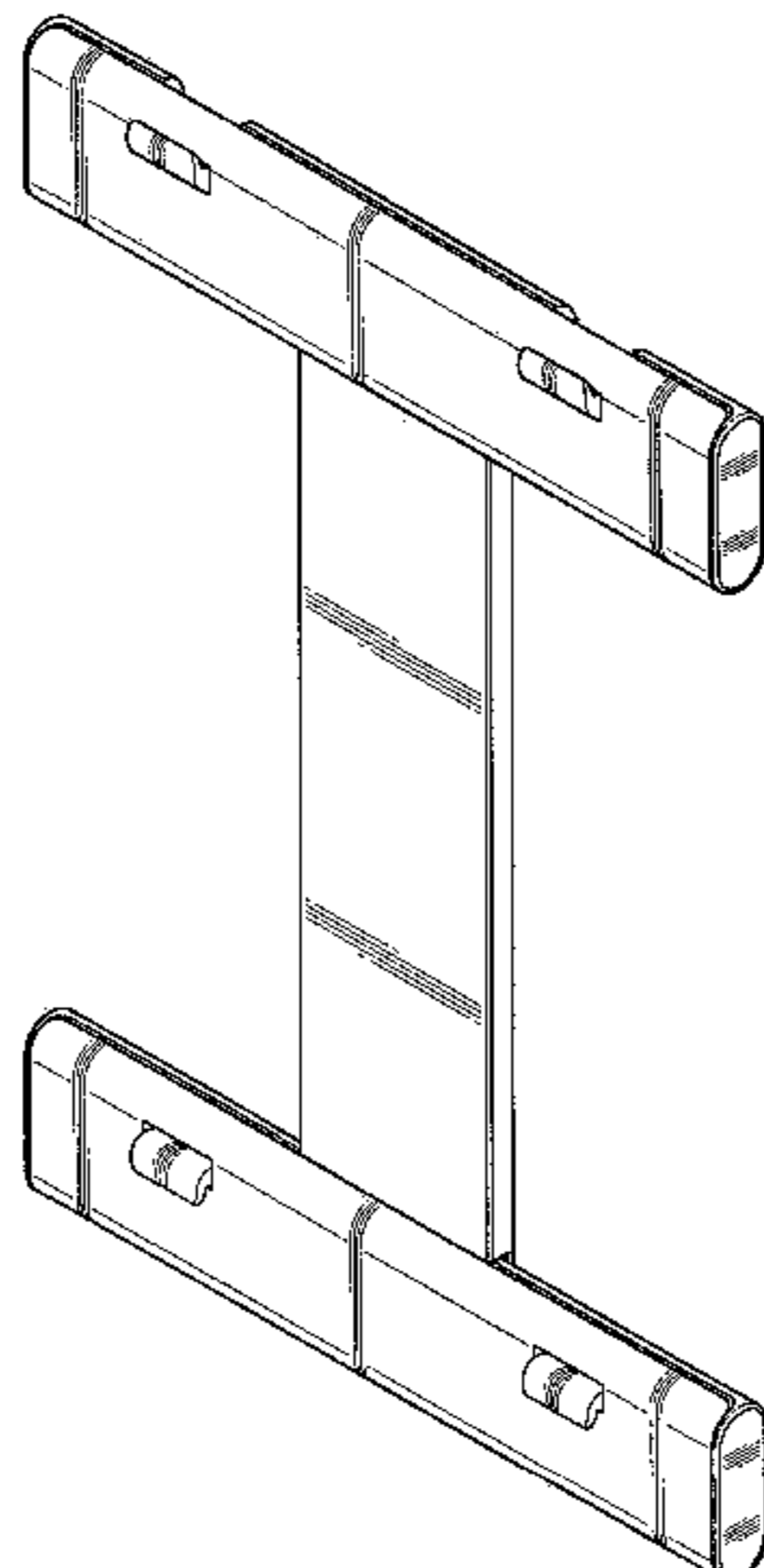


FIG. 24 is a back perspective view of the third embodiment of the mounting apparatus of FIG. 17; and, FIG. 25 is a front perspective view of the first embodiment of the mounting apparatus in a first environment. The broken lines depict unclaimed portions of the mounting apparatus and form no part of the claimed design.

1 Claim, 19 Drawing Sheets

(58) **Field of Classification Search**

CPC ... G06F 1/1601; G06F 1/1643; H05K 5/0004;
H05K 5/0017; H05K 5/02; H05K 5/0217

See application file for complete search history.

(56) **References Cited**

U.S. PATENT DOCUMENTS

9,125,502 B2 * 9/2015 Gwag A47F 5/0884
D832,828 S * 11/2018 Williams D14/239
D853,366 S * 7/2019 Williams D14/239

* cited by examiner

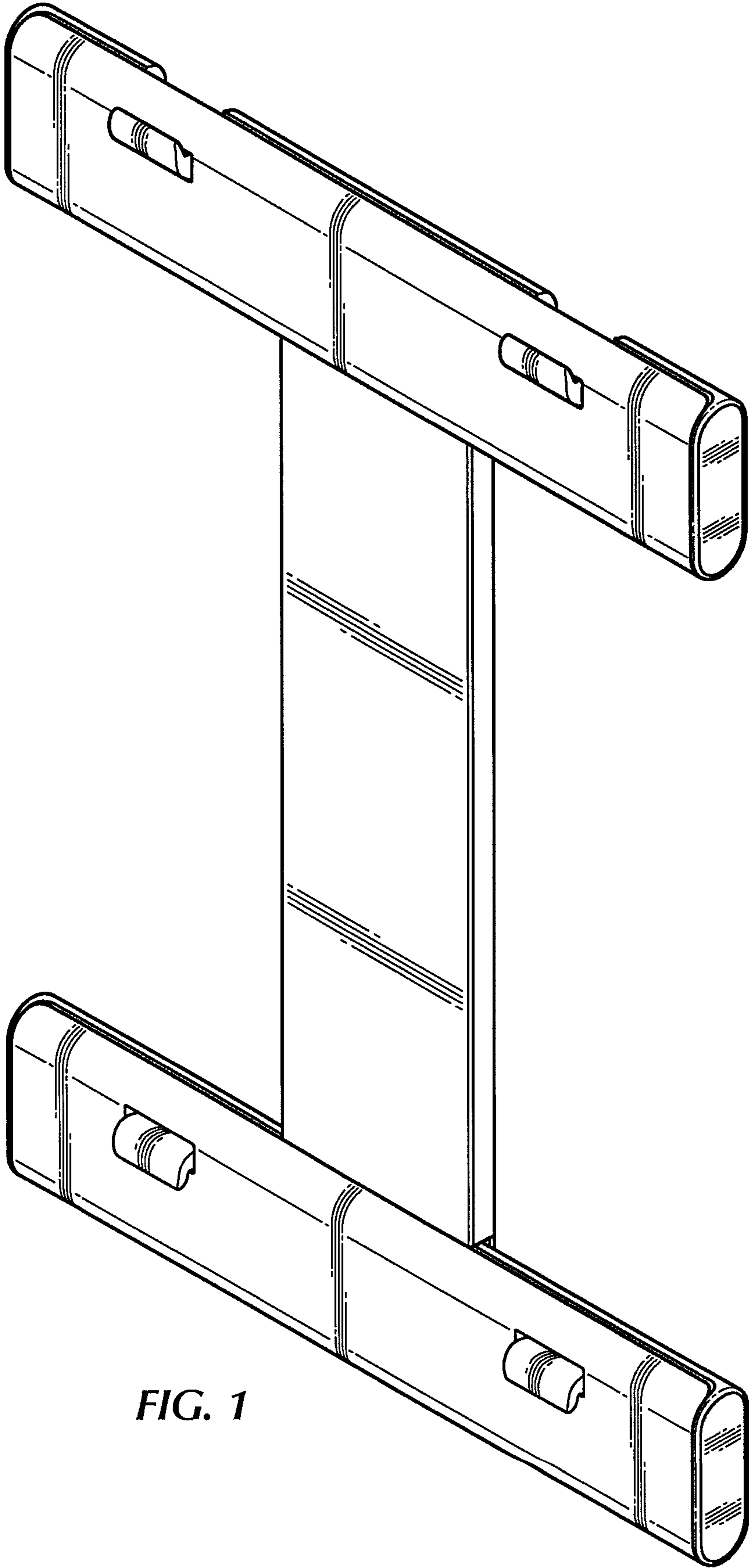


FIG. 1

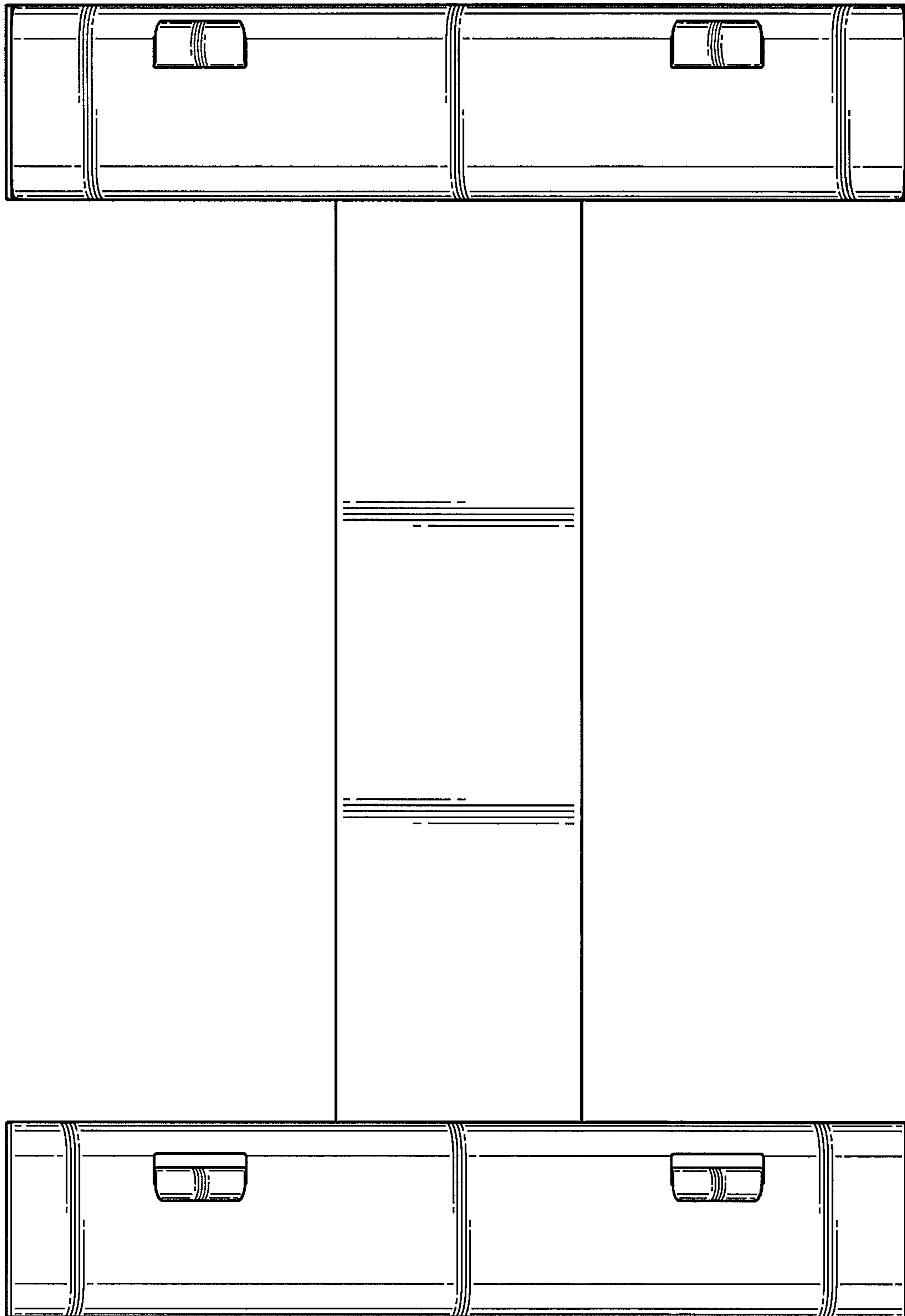


FIG. 2

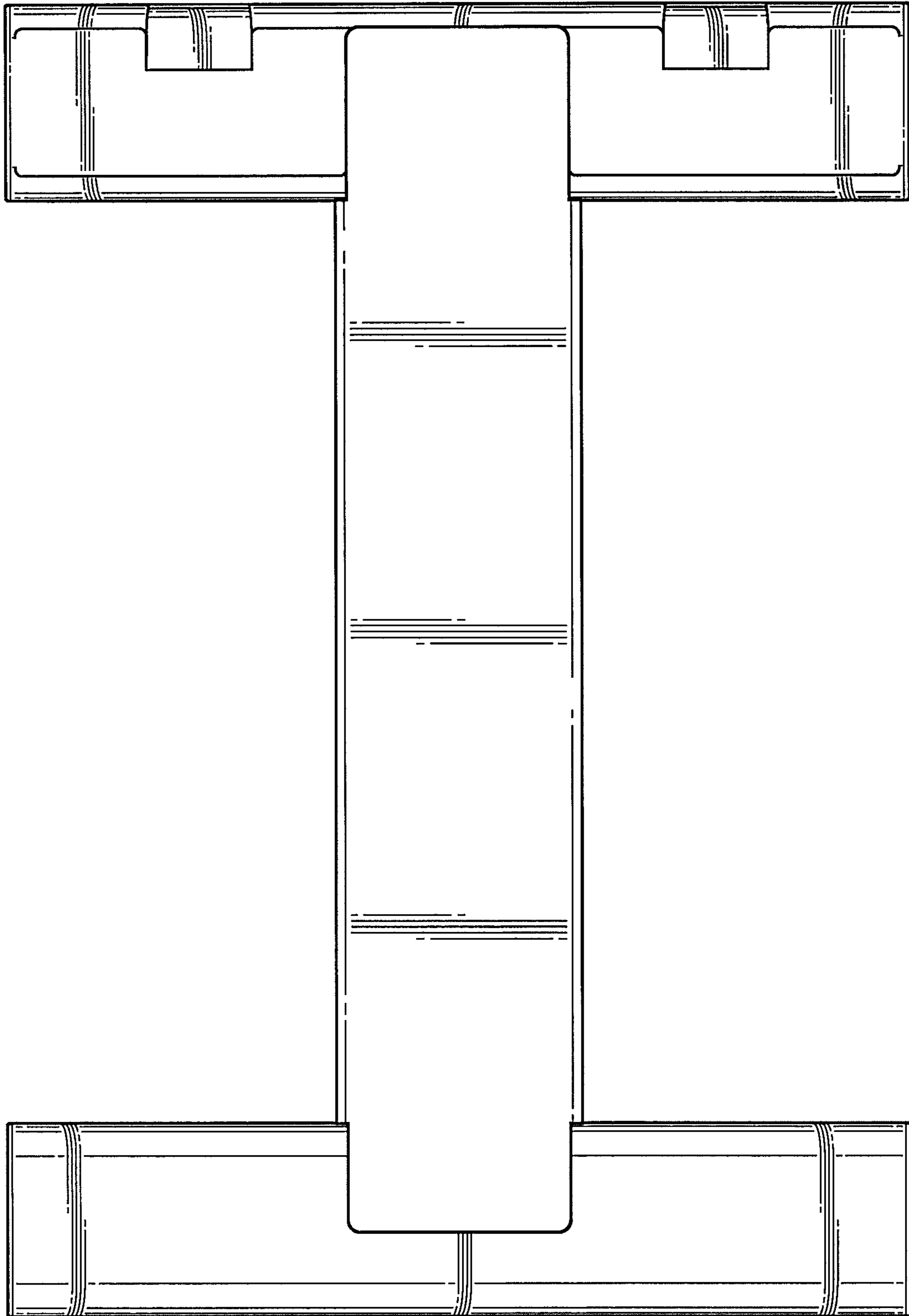


FIG. 3

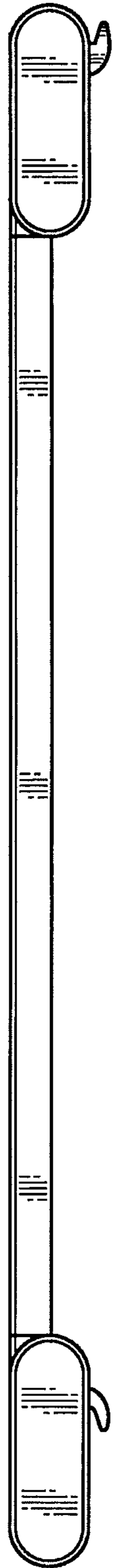


FIG. 4

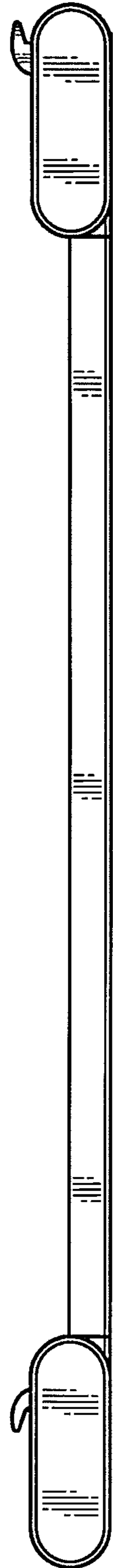


FIG. 5



FIG. 6



FIG. 7

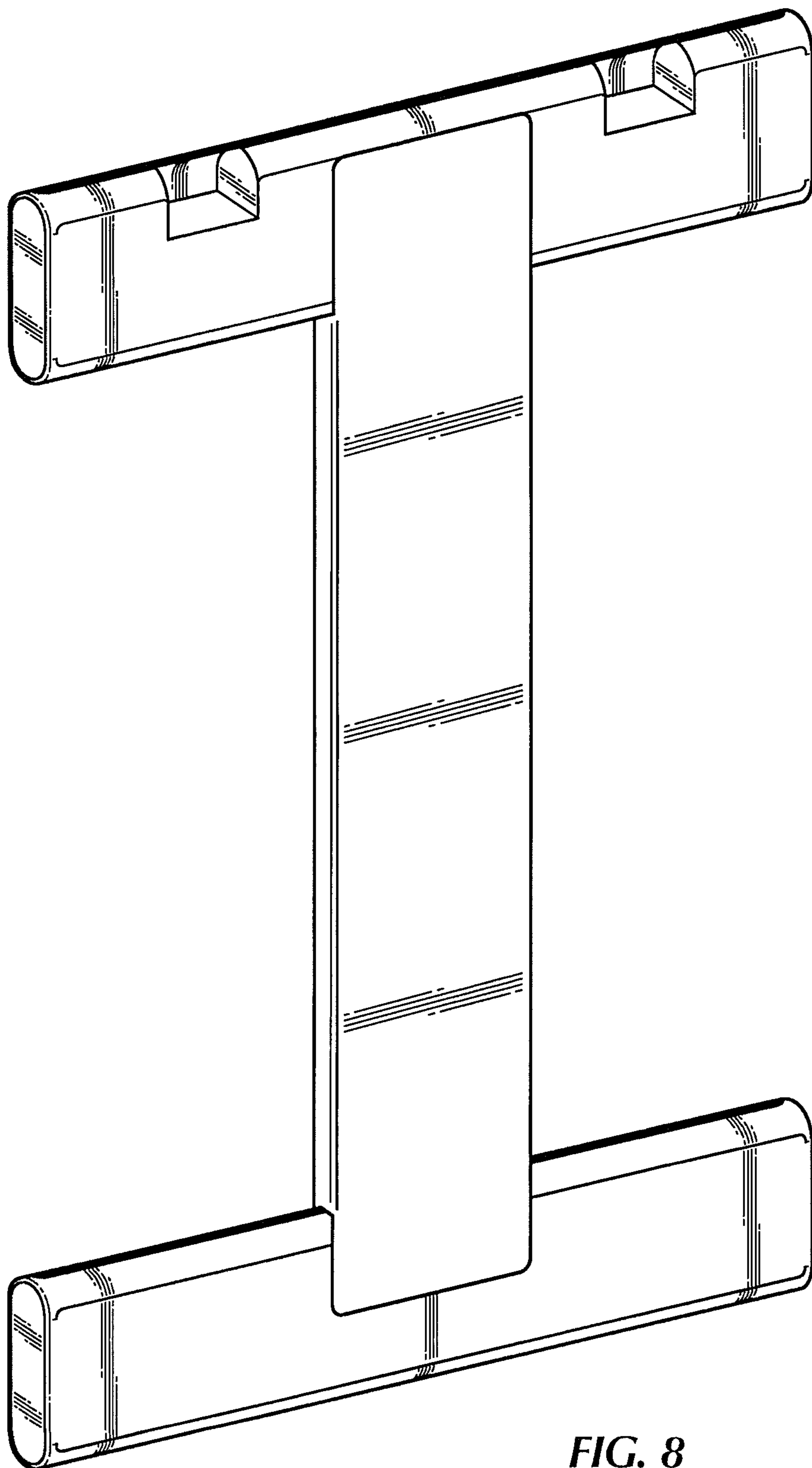


FIG. 8

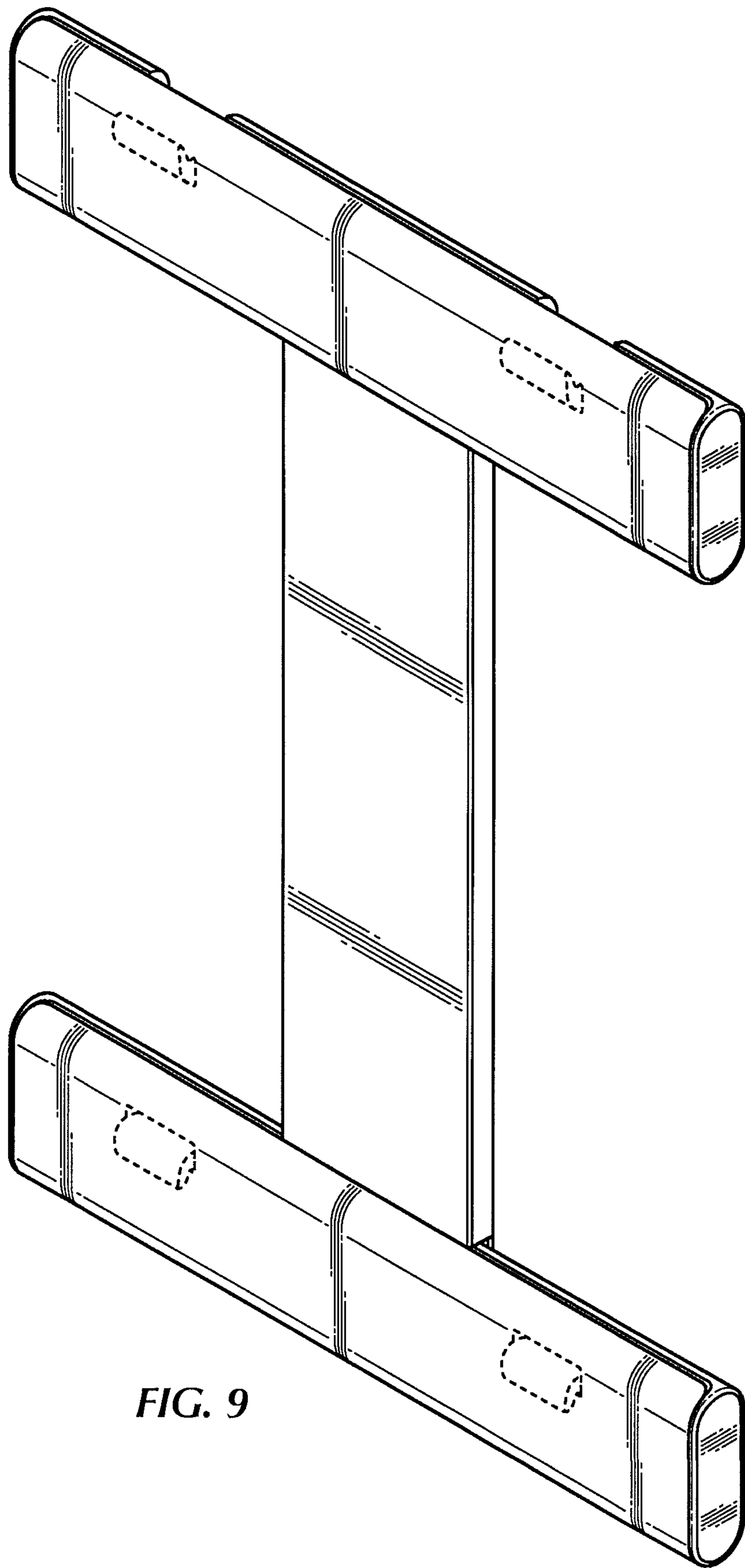


FIG. 9

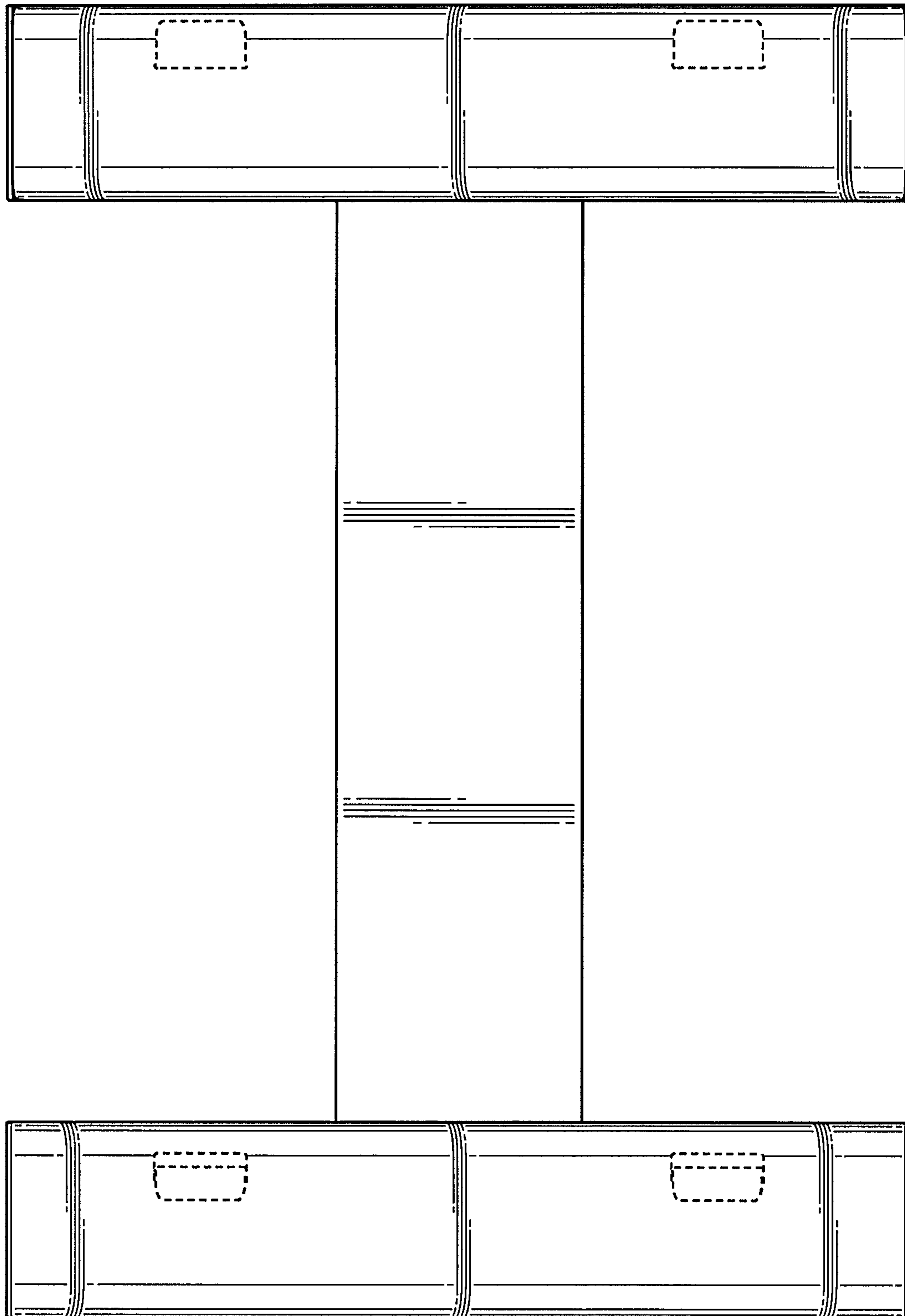


FIG. 10

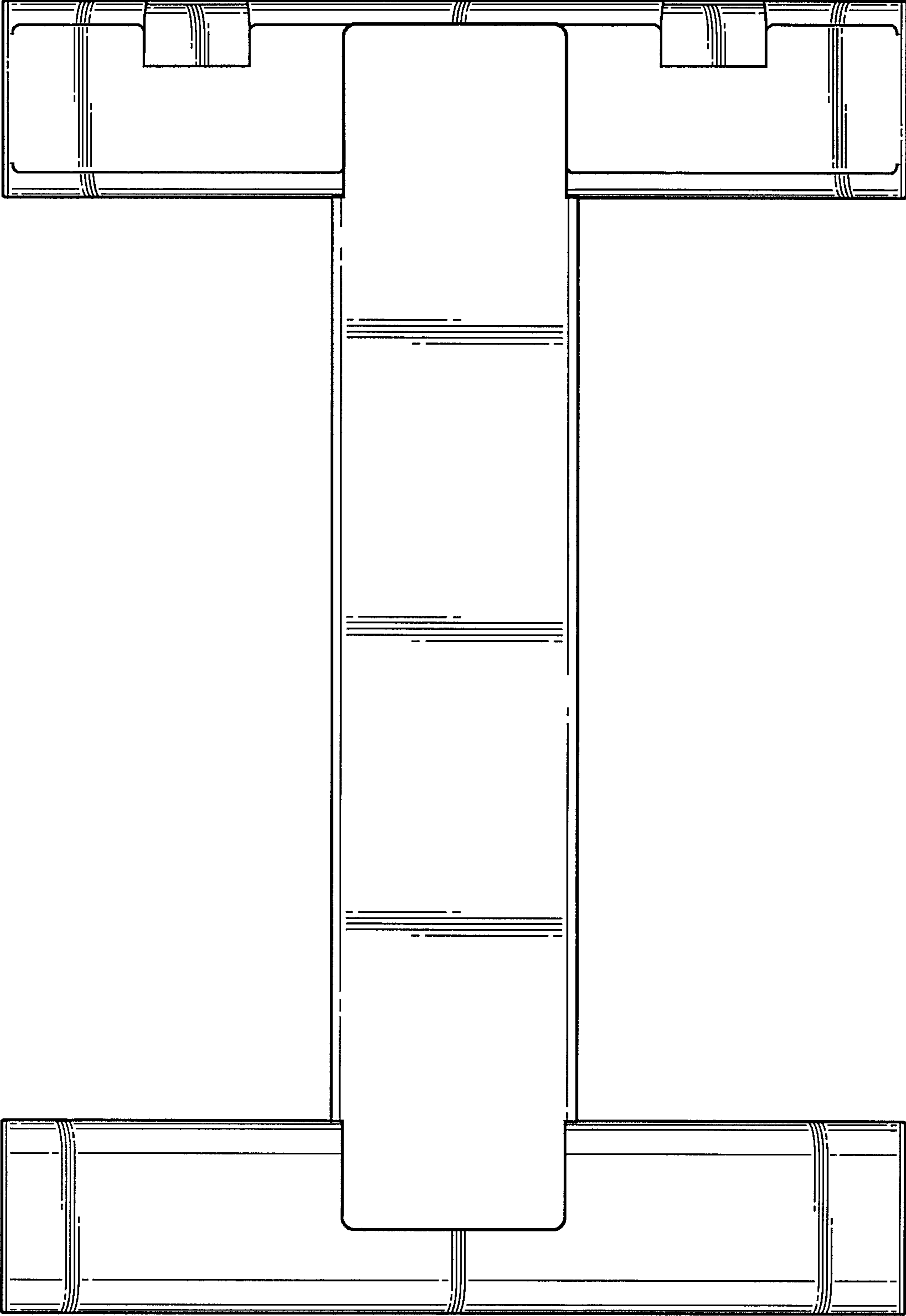


FIG. 11

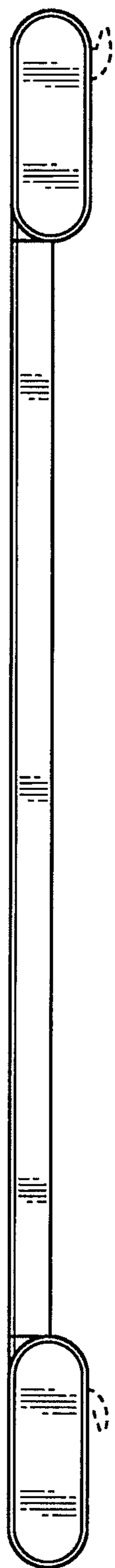


FIG. 12



FIG. 13



FIG. 14



FIG. 15

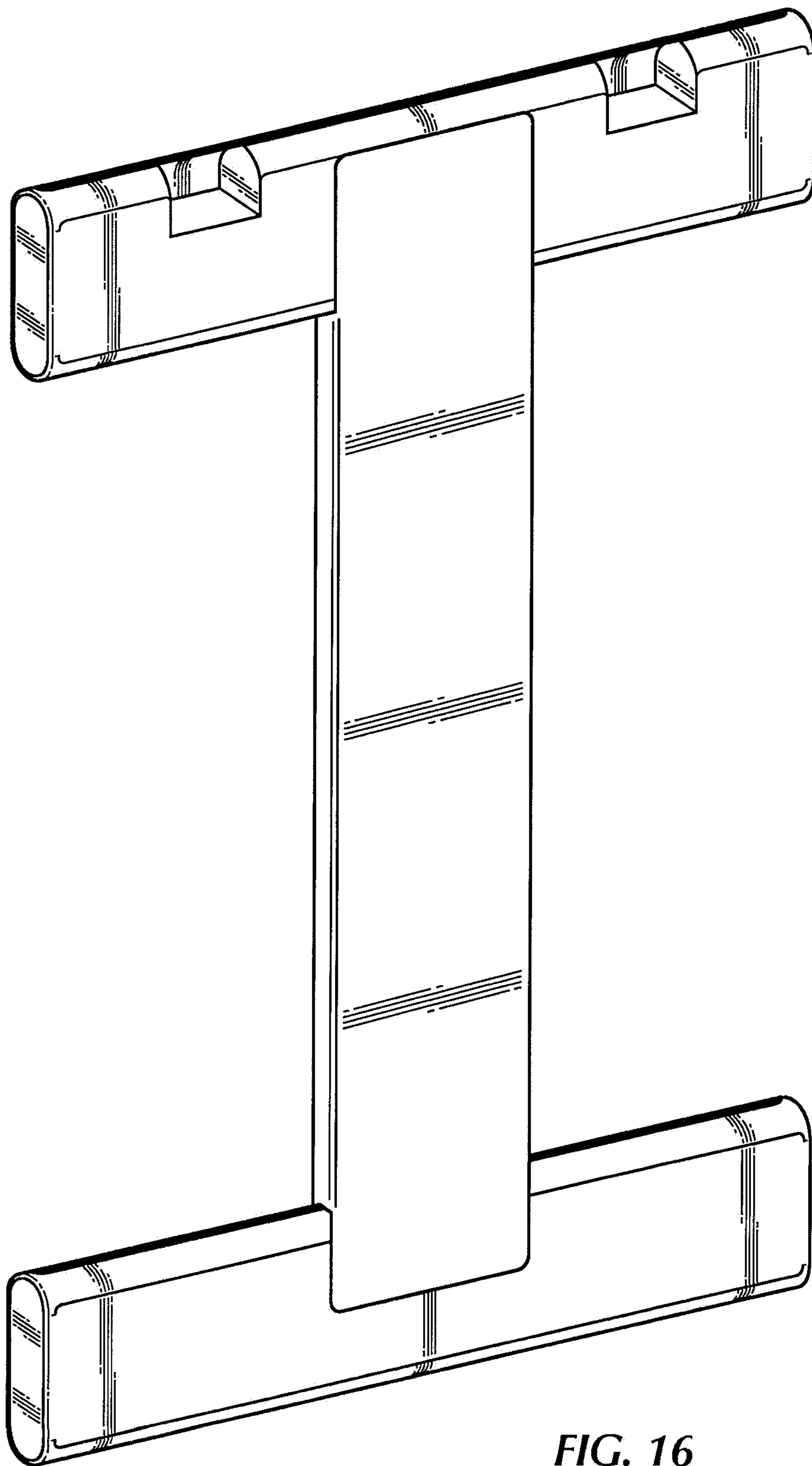


FIG. 16

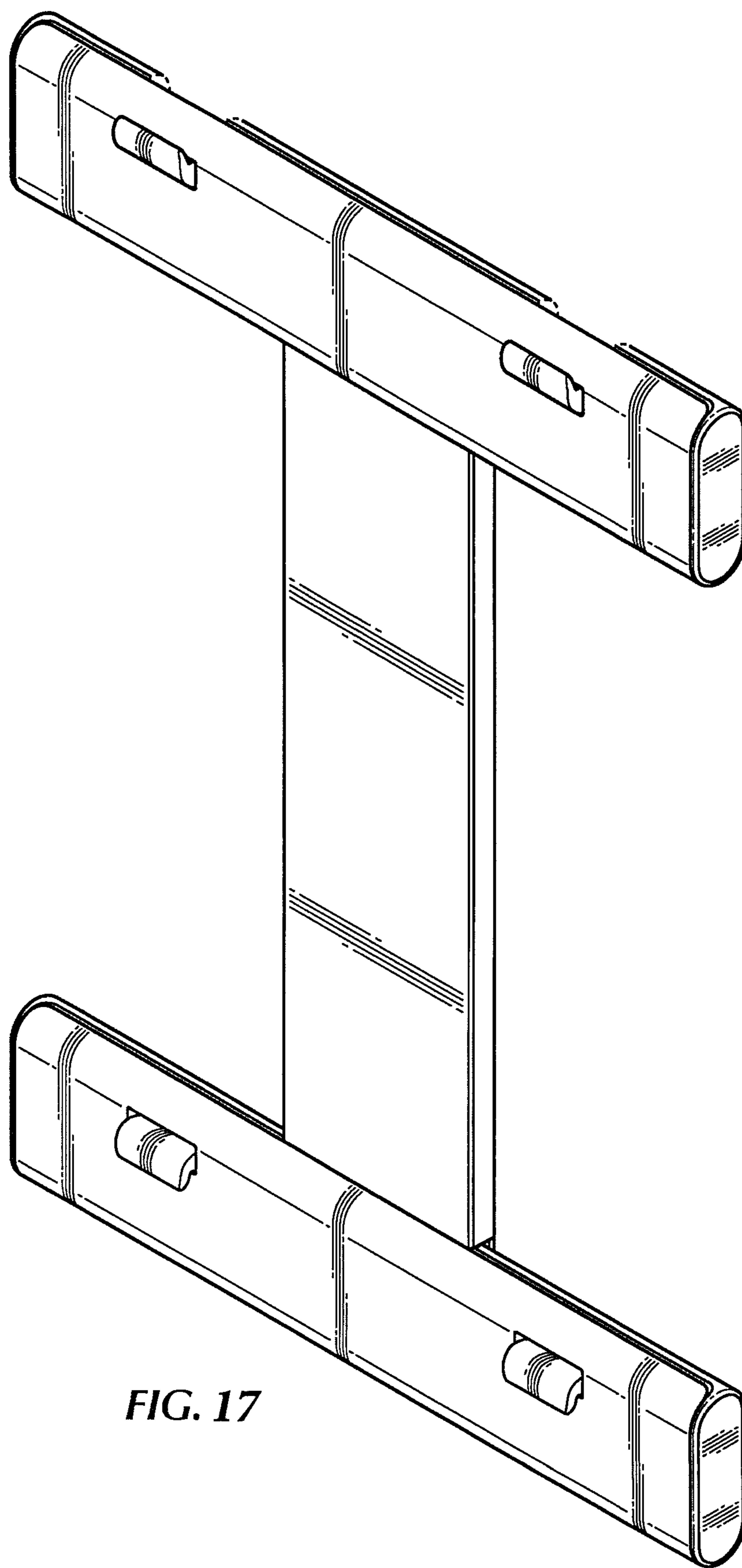


FIG. 17

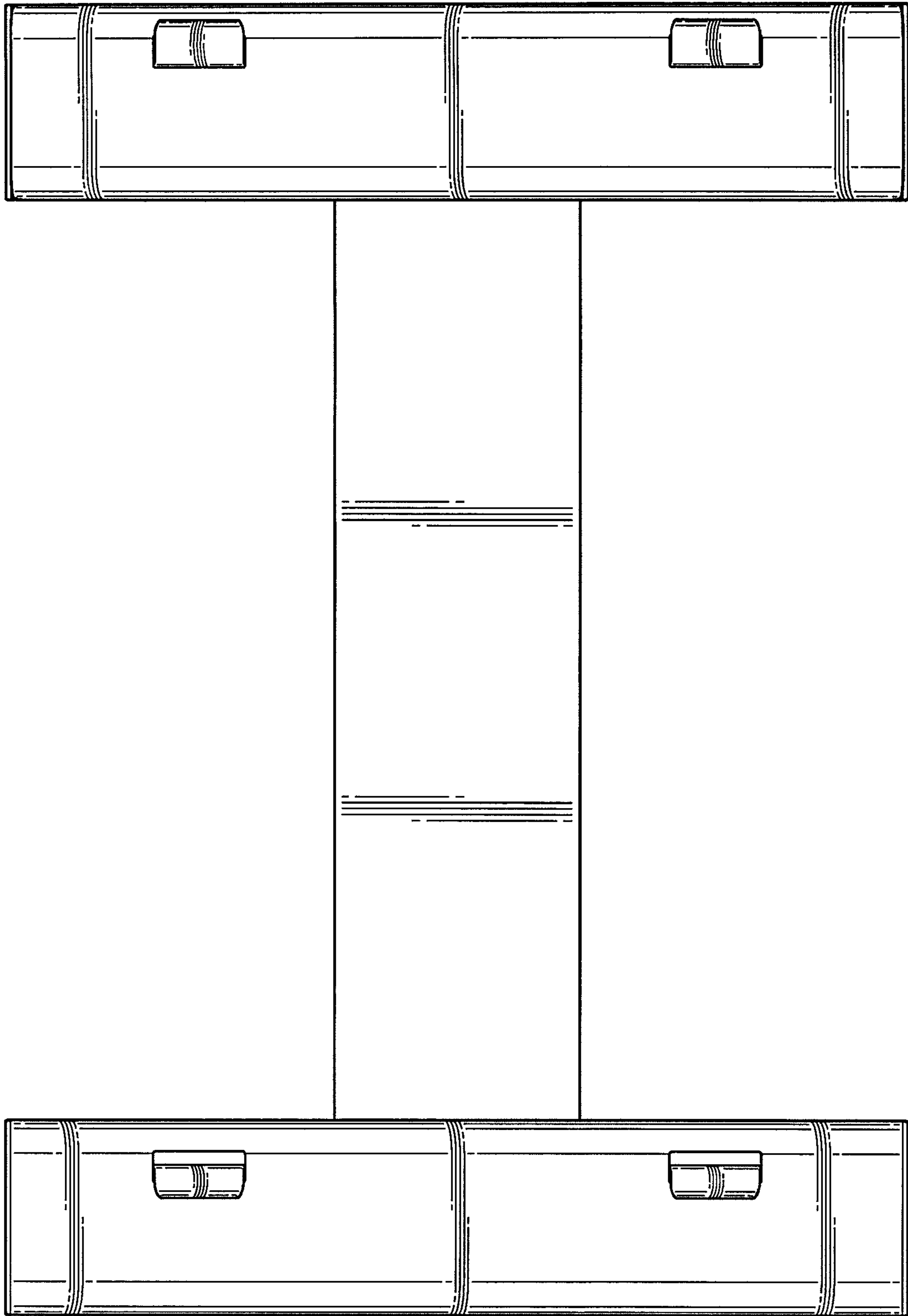


FIG. 18

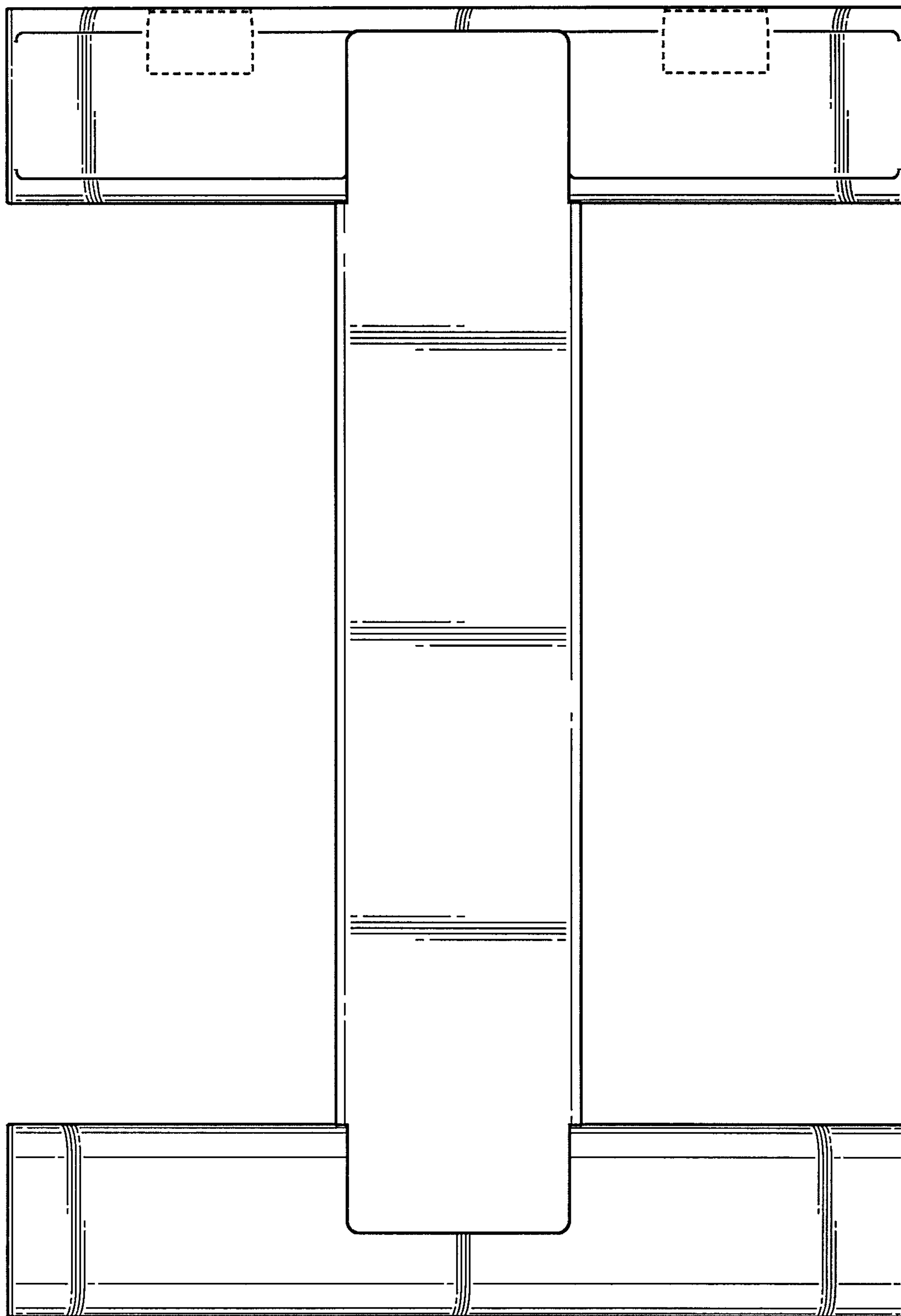


FIG. 19

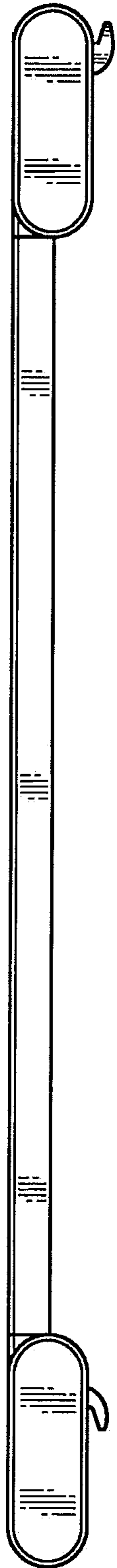


FIG. 20

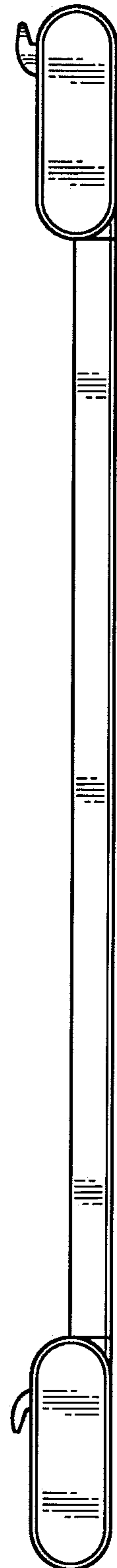


FIG. 21

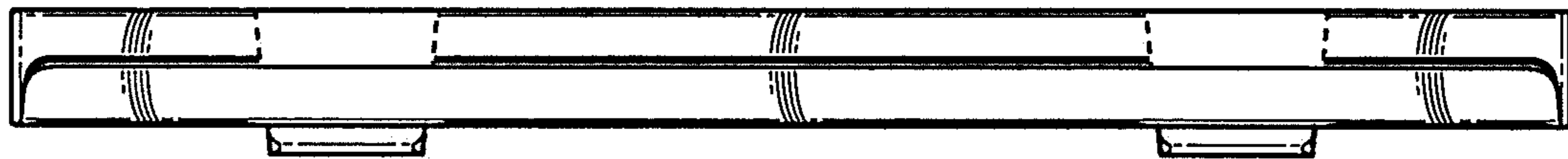


FIG. 22



FIG. 23

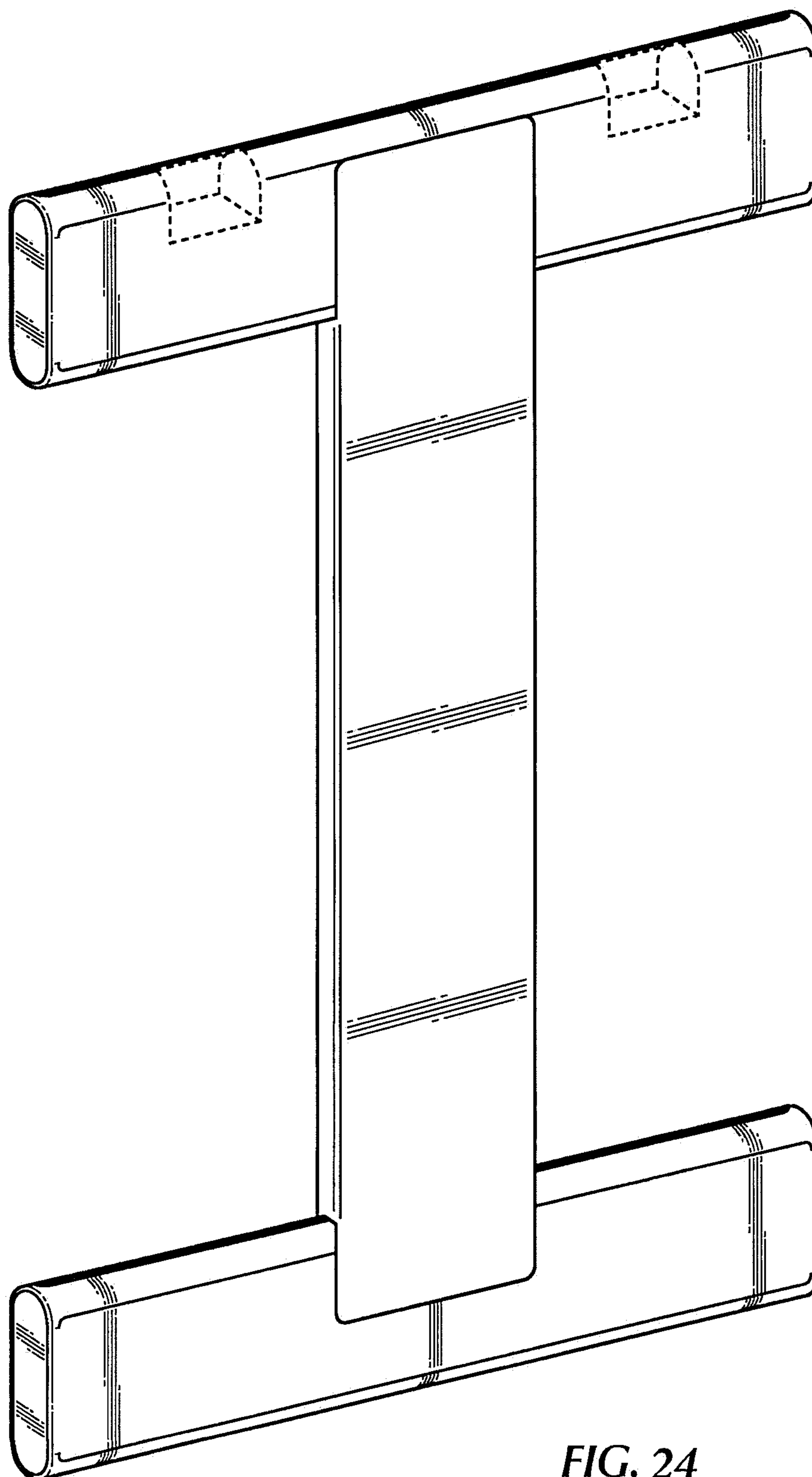


FIG. 24

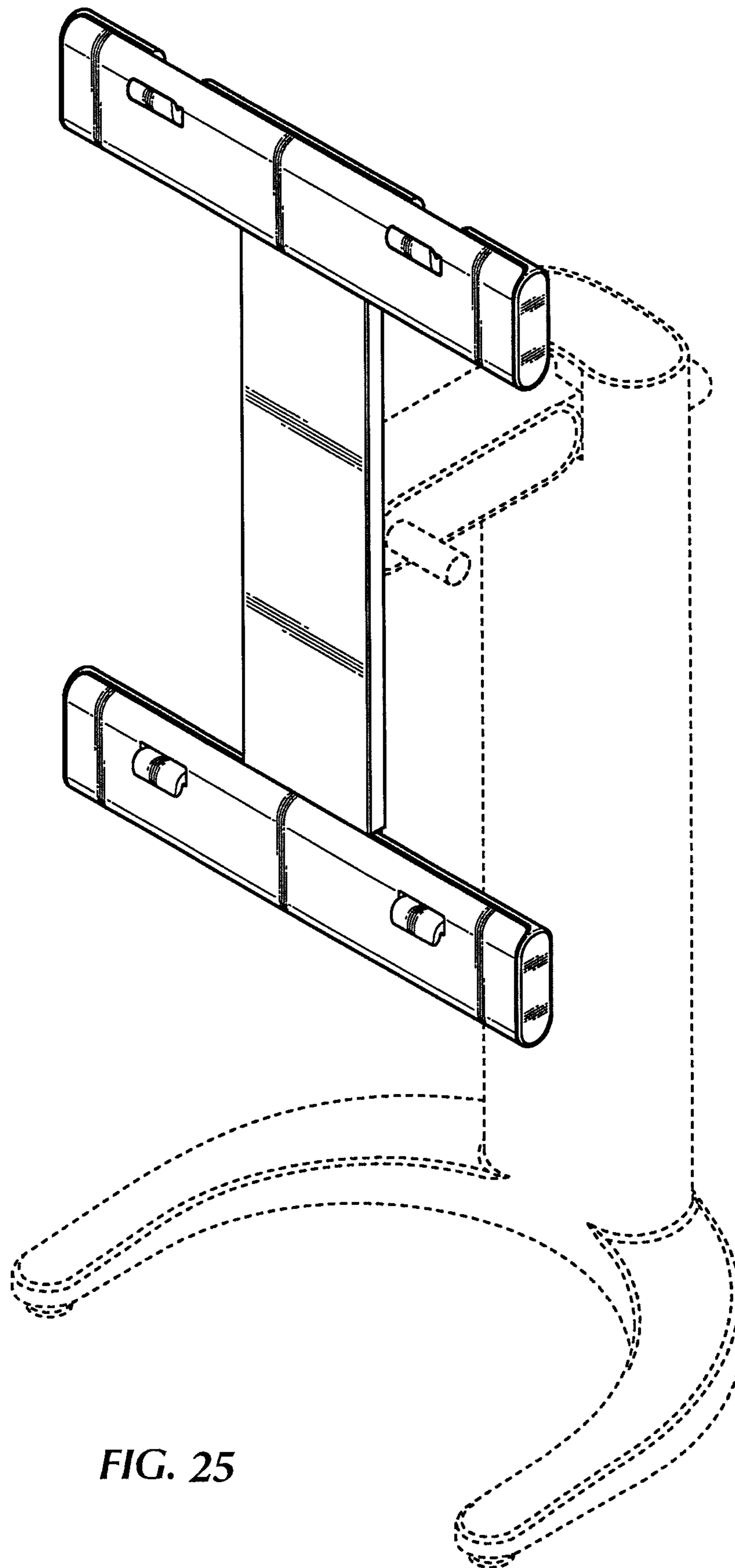


FIG. 25