



US00D872063S

(12) **United States Design Patent**  
**Arimoto**

(10) **Patent No.:** **US D872,063 S**  
(45) **Date of Patent:** **\*\* Jan. 7, 2020**

(54) **EARPHONE**  
(71) Applicant: **JVC KENWOOD Corporation**,  
Yokohama-shi, Kanagawa (JP)  
(72) Inventor: **Takuya Arimoto**, Yokohama (JP)  
(73) Assignee: **JVC KENWOOD Corporation**,  
Yokohama-shi (JP)  
(\*\*) Term: **15 Years**  
(21) Appl. No.: **29/659,304**  
(22) Filed: **Aug. 8, 2018**

D367,113 S \* 2/1996 Weeks ..... D24/174  
5,654,530 A \* 8/1997 Sauer ..... H04R 25/652  
181/130  
D455,835 S \* 4/2002 Anderson ..... D24/174  
6,386,314 B1 \* 5/2002 Sheehan ..... A61B 5/12  
181/129  
6,445,805 B1 \* 9/2002 Grugel ..... H04R 5/0335  
181/129  
D466,497 S \* 12/2002 Wikel ..... D14/265  
6,493,453 B1 \* 12/2002 Glendon ..... H04R 23/008  
381/322  
D479,834 S \* 9/2003 Salazar ..... D14/205  
D512,410 S \* 12/2005 Ng ..... D14/192  
D524,295 S \* 7/2006 Jacobson ..... D14/218  
(Continued)

(30) **Foreign Application Priority Data**  
Feb. 16, 2018 (JP) ..... 2018-003222  
(51) **LOC (12) Cl.** ..... **14-01**  
(52) **U.S. Cl.**  
USPC ..... **D14/223**  
(58) **Field of Classification Search**  
USPC ..... D14/223, 205; D24/174; 128/864, 865,  
128/866; 181/129, 130, 135; 379/430,  
379/431; 381/380, 381, 374; 455/90.3,  
455/575.1, 569.1  
CPC ..... H04R 1/10; H04R 1/1066; H04R 1/1016;  
H04R 5/033; H04R 5/0335; H04R 25/00  
See application file for complete search history.

**FOREIGN PATENT DOCUMENTS**

JP 005115037-0009 \* 3/2018  
*Primary Examiner* — Paula Allen Greene  
(74) *Attorney, Agent, or Firm* — Amin, Turocy & Watson,  
LLP

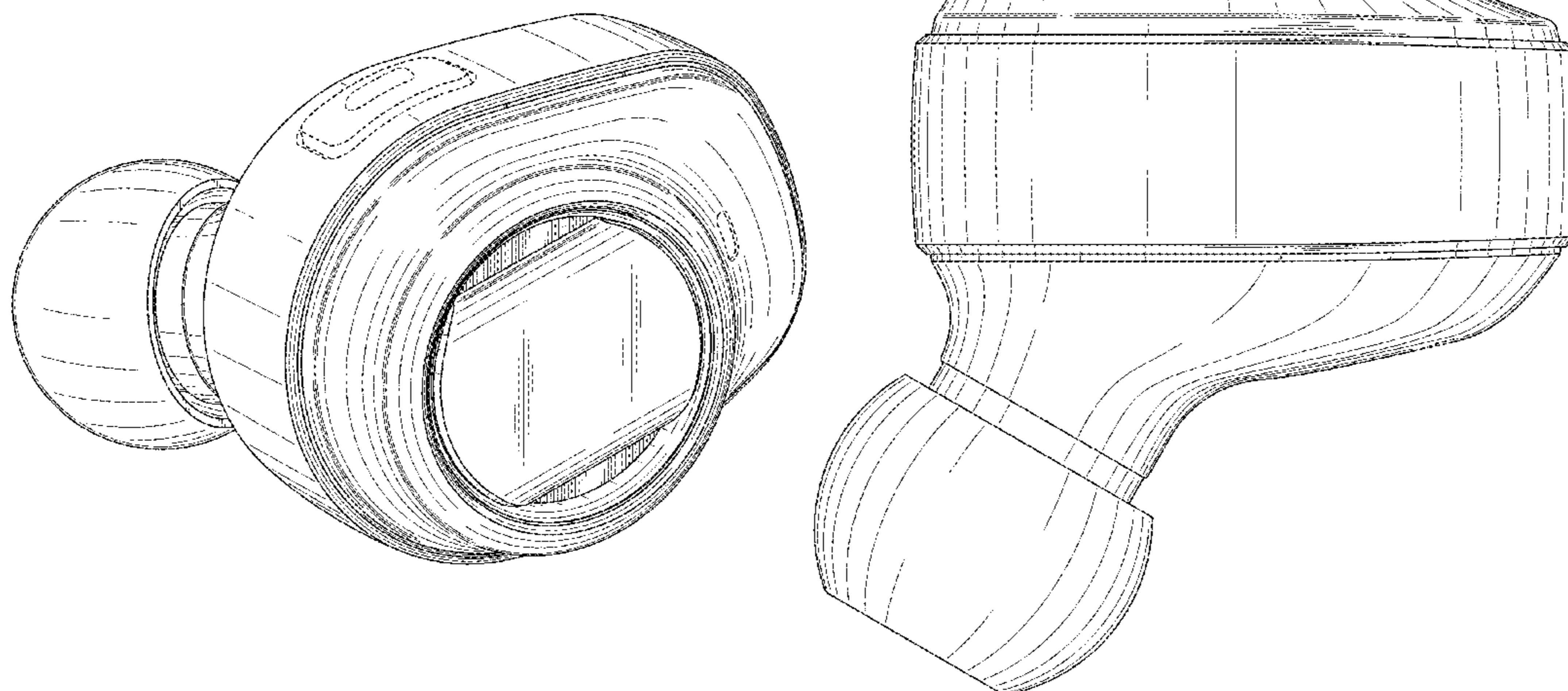
(56) **References Cited**  
U.S. PATENT DOCUMENTS  
2,248,837 A \* 7/1941 Walters ..... H04R 25/652  
381/380  
2,430,229 A \* 11/1947 Kelsey ..... H04R 1/1058  
381/338  
3,440,365 A \* 4/1969 Hazell ..... H04M 1/05  
379/430  
D338,530 S \* 8/1993 Oberlander ..... D24/174  
5,410,608 A \* 4/1995 Lucey ..... H04R 1/083  
381/360

(57) **CLAIM**  
The ornamental design for an earphone, as shown and  
described.

**DESCRIPTION**

FIG. 1 is a front, top and left-side perspective view of an  
earphone showing my new design;  
FIG. 2 is a rear, top and left-side perspective view thereof;  
FIG. 3 is a front elevational view thereof;  
FIG. 4 is a rear elevational view thereof;  
FIG. 5 is a top plan view thereof;  
FIG. 6 is a bottom plan view thereof;  
FIG. 7 is a right-side elevational view thereof; and,  
FIG. 8 is a left-side elevational view thereof.  
The broken lines of the drawings represent portions of the  
earphone that are not part of the claimed design.

**1 Claim, 8 Drawing Sheets**



(56)

References Cited

U.S. PATENT DOCUMENTS

D538,268 S \* 3/2007 Gibson ..... D14/223  
 D550,657 S \* 9/2007 Gan ..... D14/223  
 D557,009 S \* 12/2007 Elmberg ..... D3/217  
 D562,808 S \* 2/2008 Gwee ..... D14/223  
 D568,304 S \* 5/2008 Park ..... D14/240  
 D579,006 S \* 10/2008 Kim ..... D14/223  
 D592,182 S \* 5/2009 Sanguinetti ..... D14/205  
 7,536,362 B2 \* 5/2009 Starr ..... G06Q 30/0283  
 705/400  
 D597,084 S \* 7/2009 Gondo ..... D14/223  
 D598,003 S \* 8/2009 Park ..... D14/149  
 D599,781 S \* 9/2009 Lee ..... D14/205  
 D626,117 S \* 10/2010 Lowry ..... D14/223  
 D631,470 S \* 1/2011 Yoneyama ..... D14/223  
 D634,300 S \* 3/2011 Yang ..... D14/206  
 D641,010 S \* 7/2011 Kwon ..... D14/223  
 D641,011 S \* 7/2011 Gondo ..... D14/206  
 D652,822 S \* 1/2012 Lee ..... D14/223  
 D666,581 S \* 9/2012 Perez ..... D14/223  
 D668,244 S \* 10/2012 Matsumura ..... D14/223  
 D673,140 S \* 12/2012 Kelly ..... D14/223  
 D697,058 S \* 1/2014 Thompson ..... D14/205  
 D711,858 S \* 8/2014 Yang ..... D14/223  
 D712,882 S \* 9/2014 Wang ..... D14/223

8,831,266 B1 \* 9/2014 Huang ..... H04R 1/1091  
 381/380  
 D717,772 S \* 11/2014 Yang ..... D14/223  
 D718,286 S \* 11/2014 Yang ..... D14/223  
 D732,508 S \* 6/2015 Funayama ..... D14/223  
 D742,861 S \* 11/2015 Miyake ..... D14/223  
 D746,792 S \* 1/2016 Kim ..... D14/205  
 D764,445 S \* 8/2016 Czaniecki ..... D14/223  
 D781,269 S \* 3/2017 Choe ..... D14/223  
 D787,477 S \* 5/2017 Lee ..... D14/223  
 D789,909 S \* 6/2017 Hung ..... D14/223  
 D790,501 S \* 6/2017 Wang ..... D14/205  
 D795,225 S \* 8/2017 Sumii ..... D14/223  
 D795,835 S \* 8/2017 Nagamine ..... D14/205  
 D801,301 S \* 10/2017 Damboulev ..... D14/205  
 D806,879 S \* 1/2018 Horbinski ..... D24/174  
 D807,322 S \* 1/2018 Damboulev ..... D14/205  
 D814,444 S \* 4/2018 Liu ..... D14/223  
 D817,309 S \* 5/2018 Czaniecki ..... D14/223  
 D830,992 S \* 10/2018 Hardi ..... D14/205  
 D831,629 S \* 10/2018 Choe ..... D14/248  
 D841,626 S \* 2/2019 Tang ..... D14/223  
 10,206,026 B2 \* 2/2019 Yeung ..... H01Q 1/273  
 D846,532 S \* 4/2019 Xiao ..... D14/223  
 D852,783 S \* 7/2019 Hueber ..... D14/223  
 2017/0026738 A1 \* 1/2017 Tang ..... H04R 1/1091

\* cited by examiner

FIG. 1

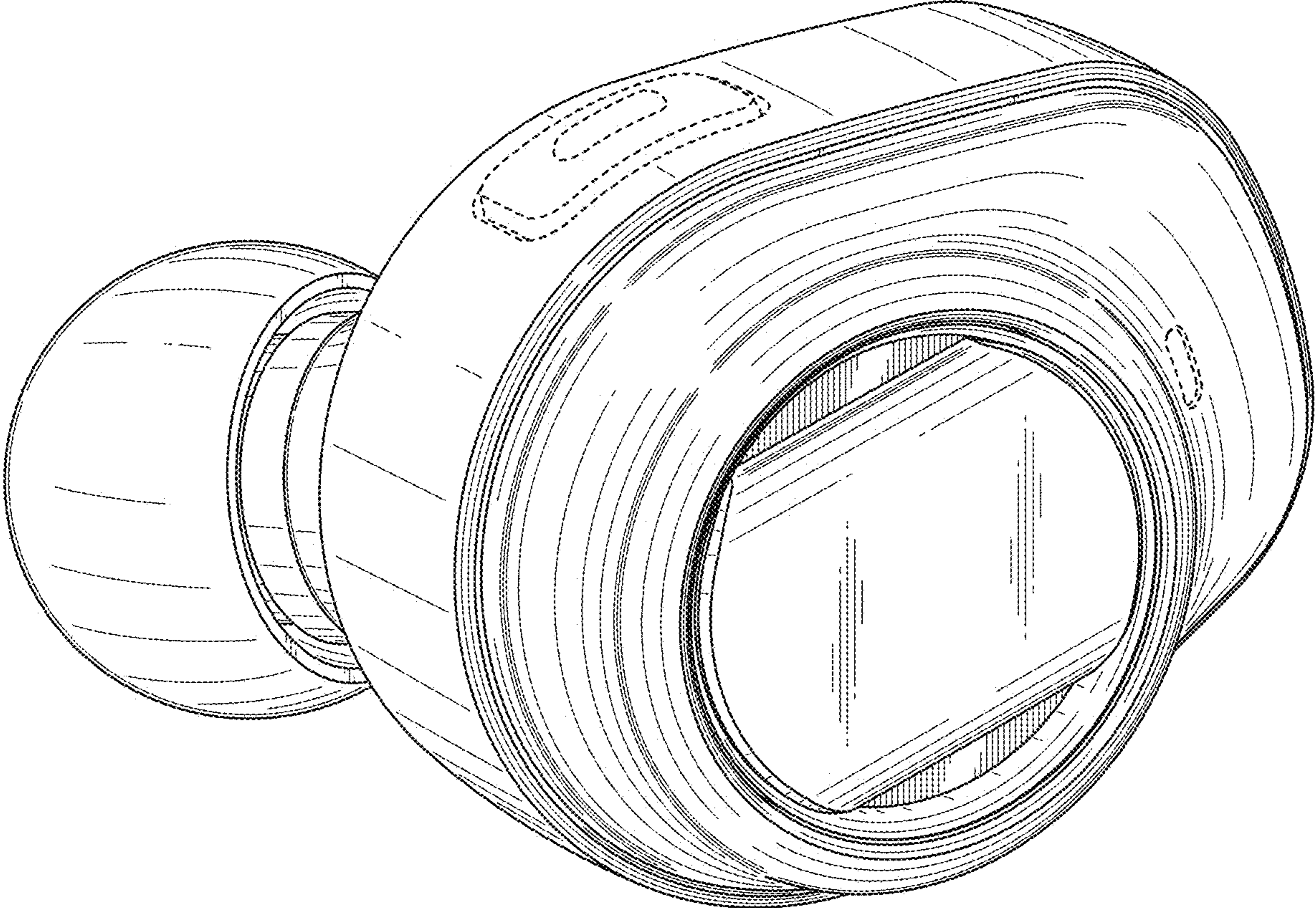


FIG. 2

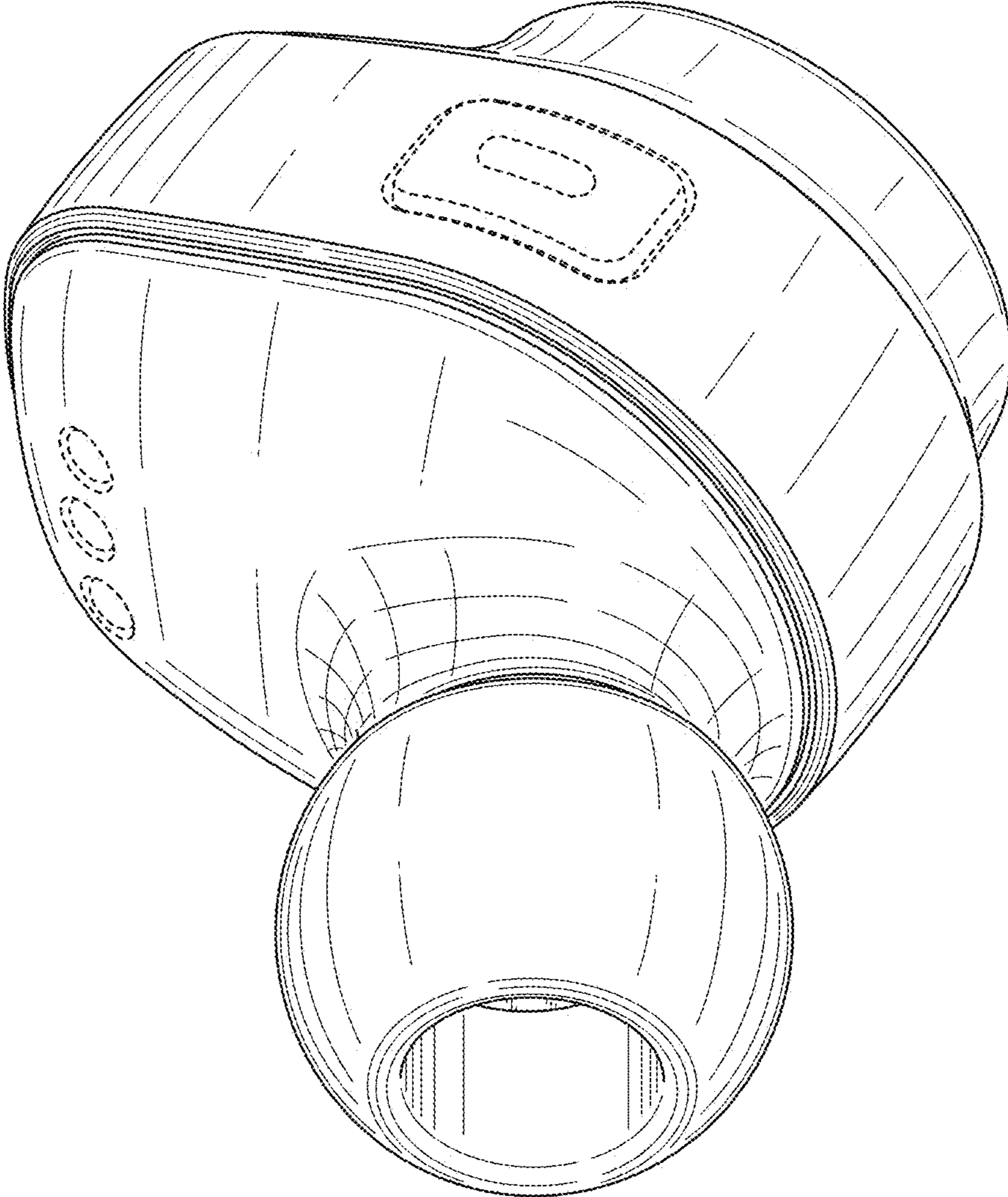


FIG. 3

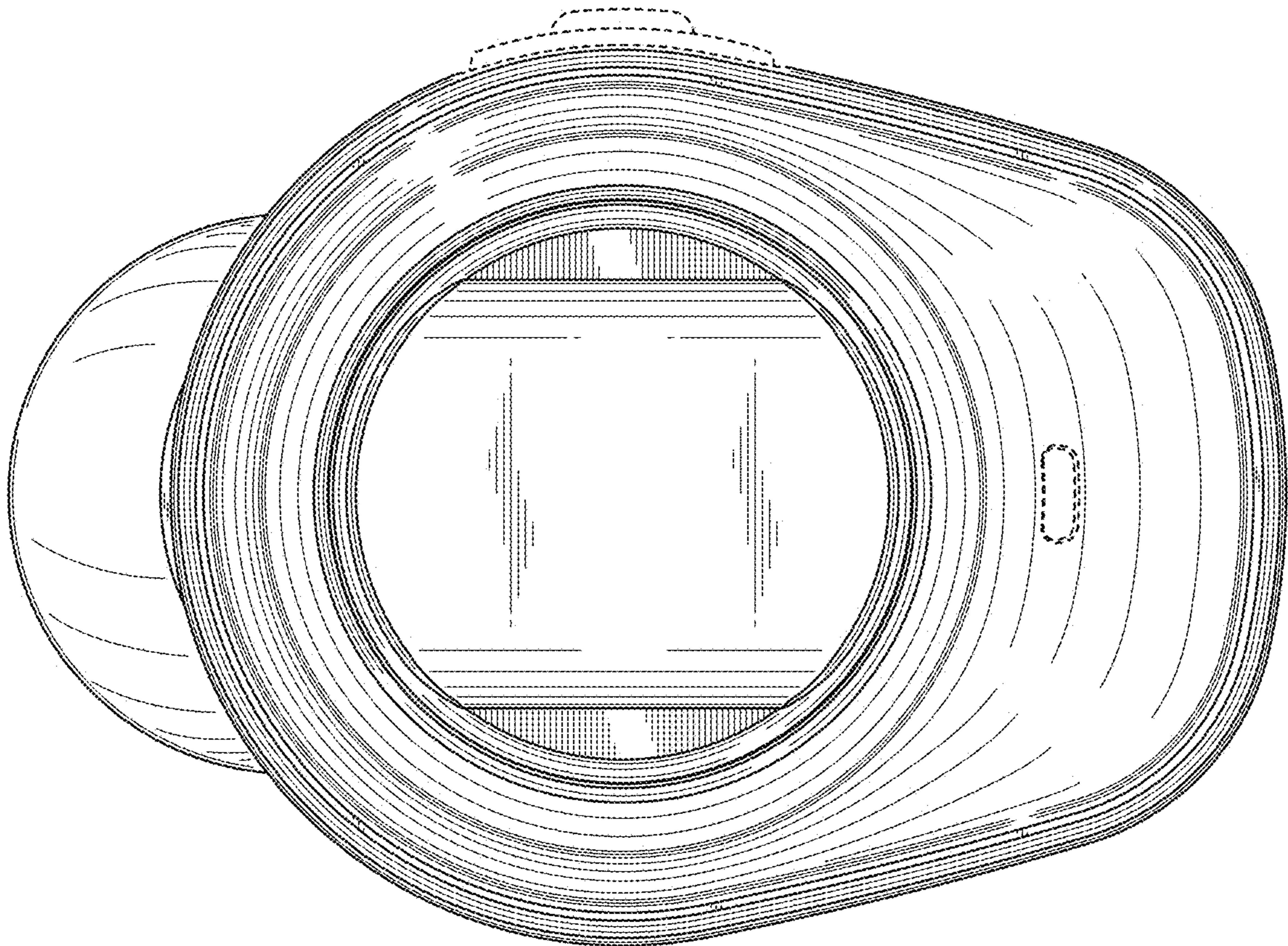


FIG. 4

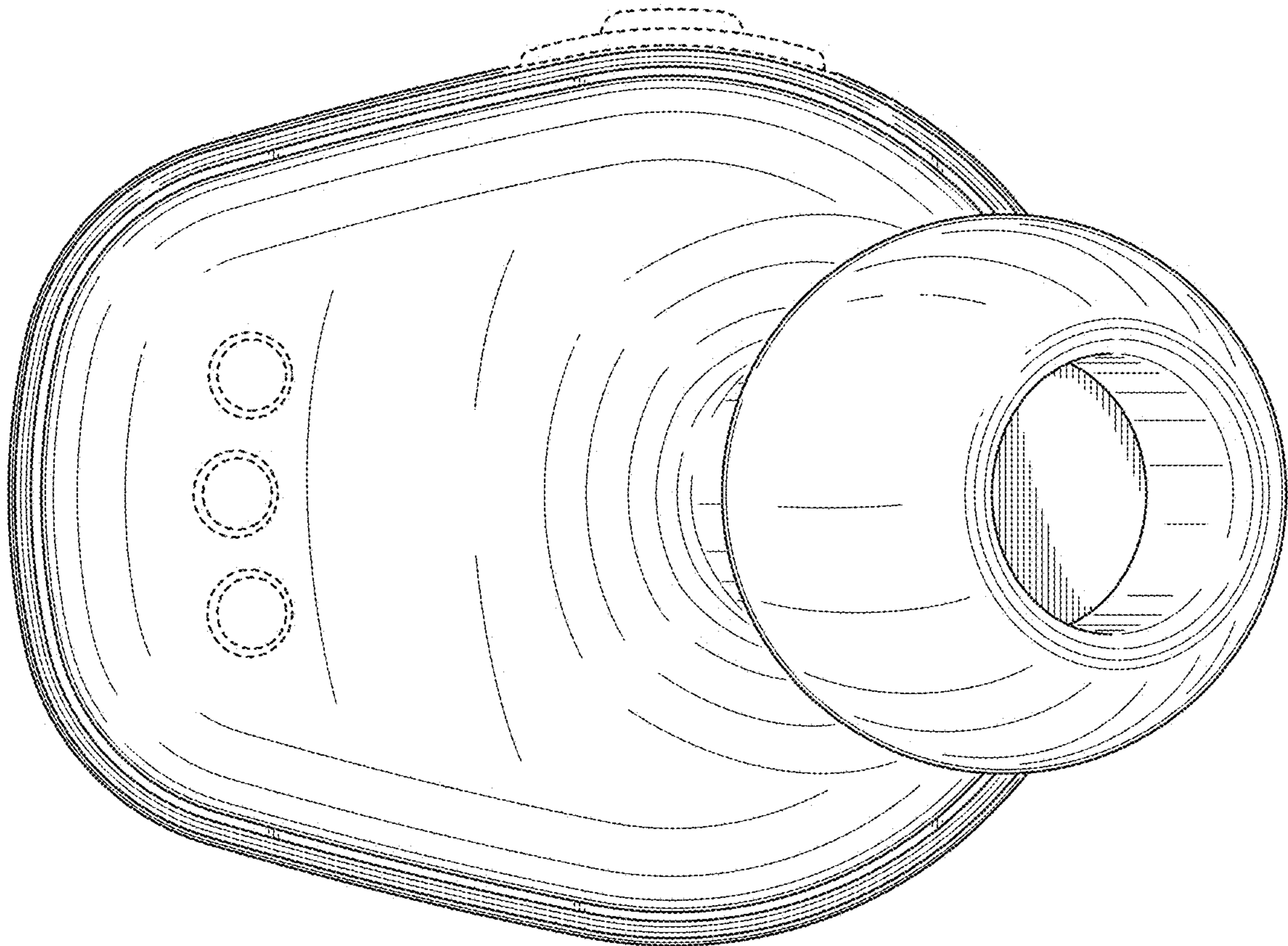


FIG. 5

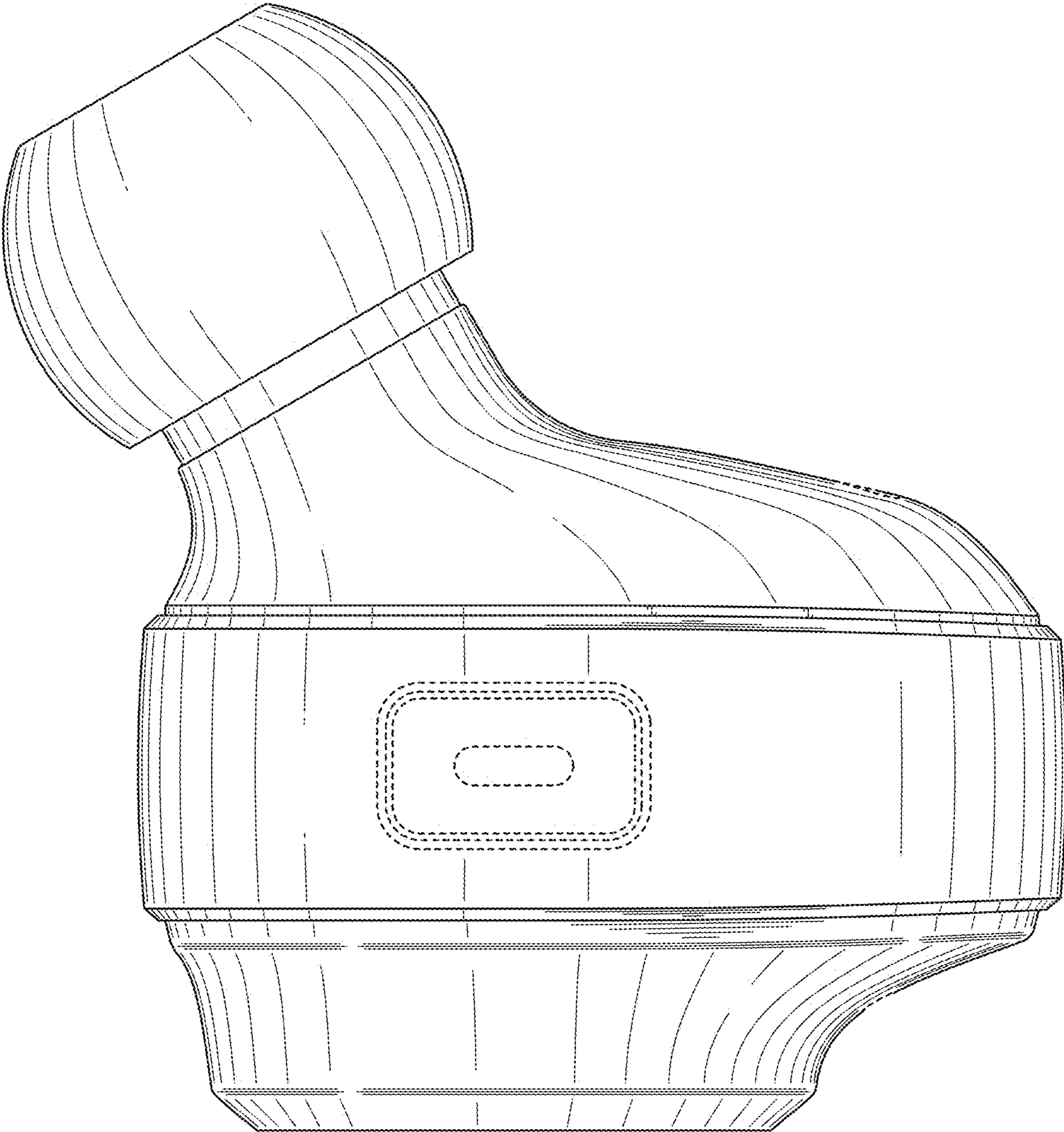


FIG. 6

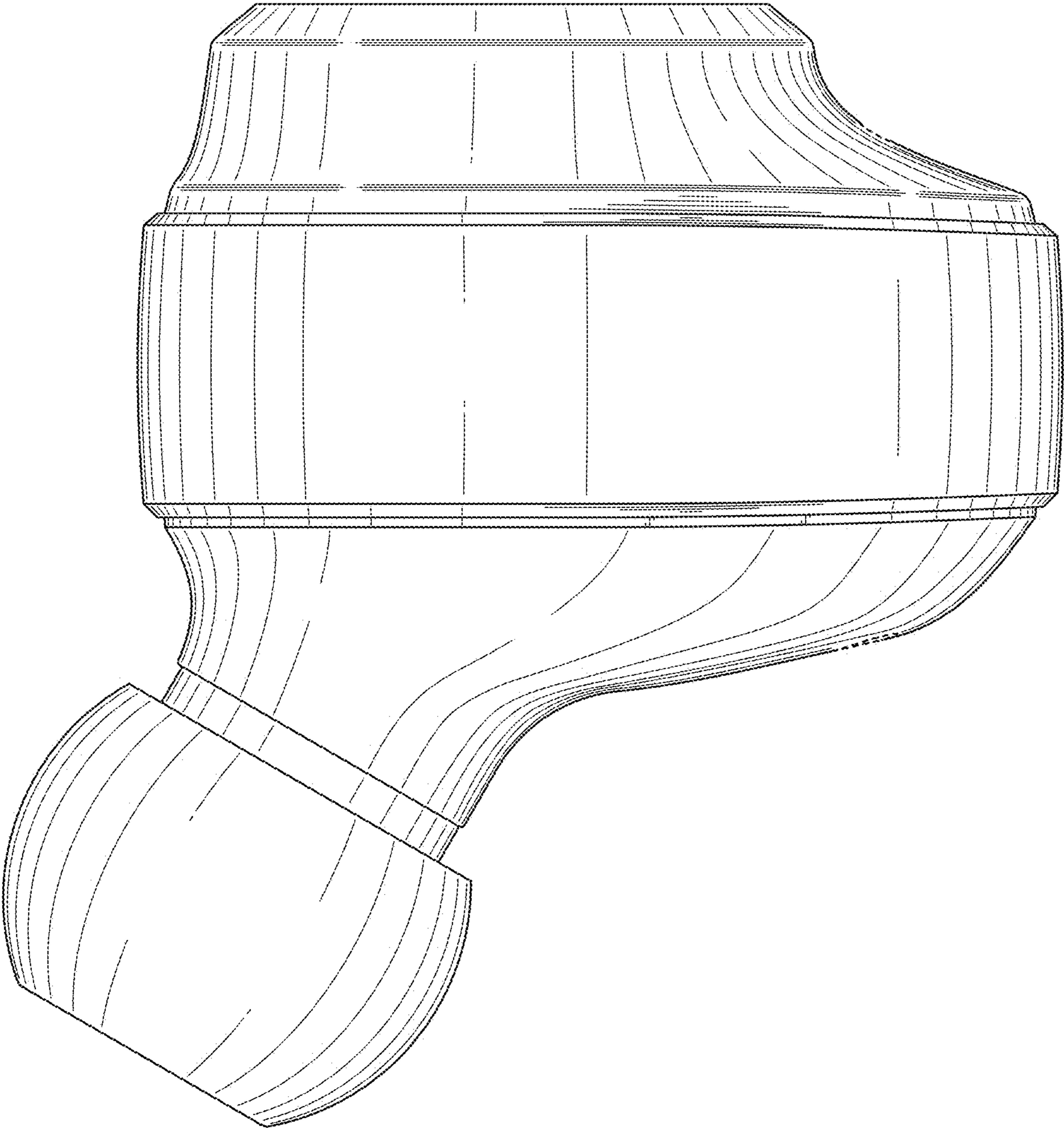
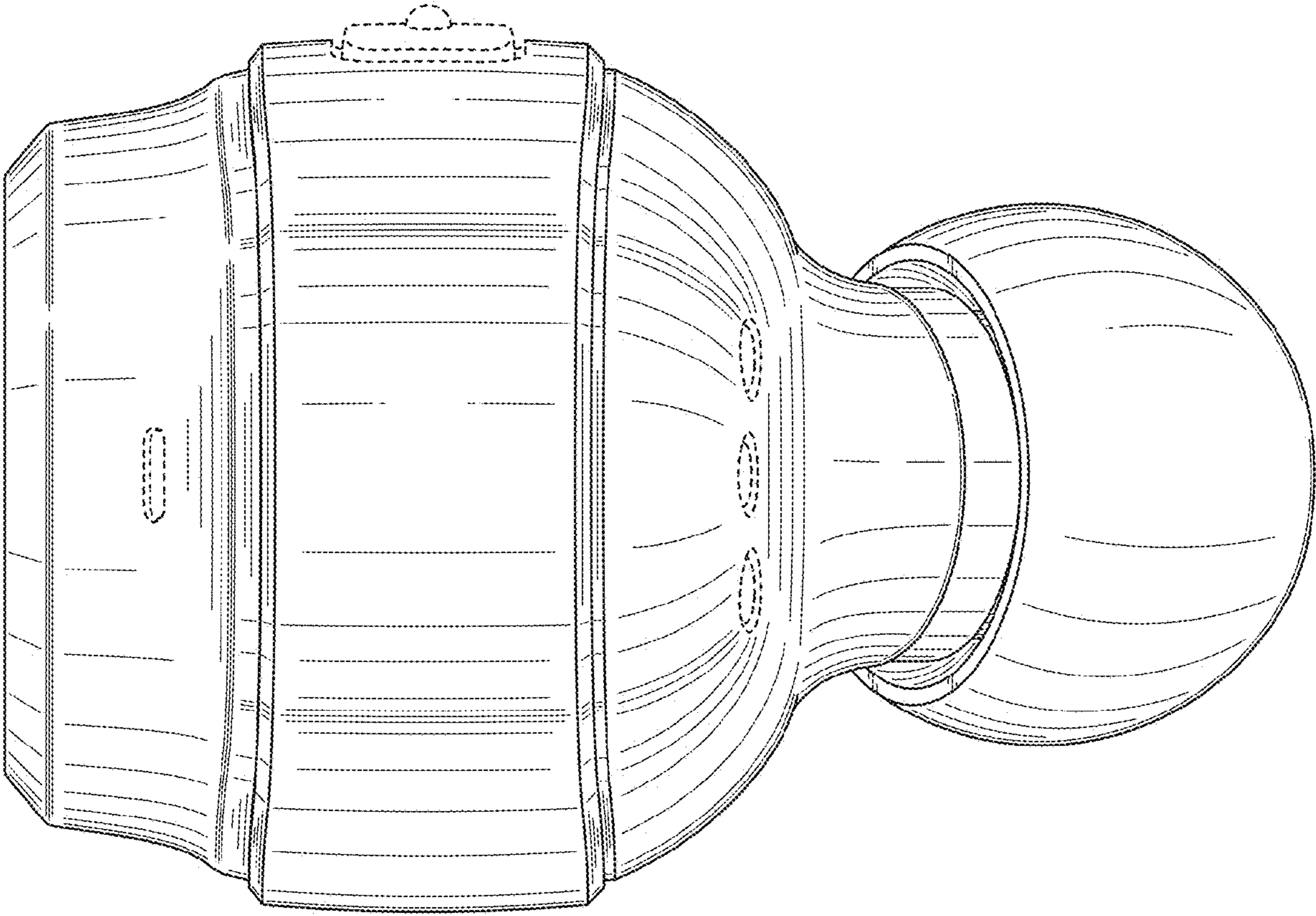




FIG. 7



*FIG. 8*

