



US00D872062S

(12) **United States Design Patent** (10) **Patent No.:** **US D872,062 S**
Cui (45) **Date of Patent:** **** Jan. 7, 2020**

(54) **EARPHONE**
(71) Applicant: **Yonggang Cui**, Guangdong (CN)
(72) Inventor: **Yonggang Cui**, Guangdong (CN)
(73) Assignee: **Shenzhen Tuopu Global Technology Co., Ltd**, Shenzhen, Guangdong (CN)
(**) Term: **15 Years**
(21) Appl. No.: **29/648,311**
(22) Filed: **May 21, 2018**
(51) **LOC (12) Cl.** **14-01**
(52) **U.S. Cl.**
USPC **D14/223**
(58) **Field of Classification Search**
USPC D14/223, 205; D24/174, 106; 128/864,
128/865, 866; 181/129, 130, 135;
379/430, 431; 381/380, 381, 370, 373,
381/338, 322, 328; 455/90.3, 575.1,
455/569.1
CPC H04R 1/10; H04R 25/00; H04R 1/1041;
H04R 1/1016; H04R 5/033; H04R
5/0335; A61F 11/08
See application file for complete search history.

D402,661 S * 12/1998 Hayashi D14/223
D427,304 S * 6/2000 Magidson D24/106
D435,036 S * 12/2000 Koss D14/223
D468,301 S * 1/2003 Fushimi D14/223
D514,094 S * 1/2006 Griffin D14/223
D519,108 S * 4/2006 Yang D14/223
D535,644 S * 1/2007 Drambarean D14/223
7,314,047 B2 * 1/2008 Falco A61F 11/08
128/864
7,537,011 B2 * 5/2009 Falco A61F 11/08
128/864
7,551,748 B2 * 6/2009 Kamo H04R 1/1016
381/328
D611,929 S * 3/2010 Blanchard D14/205
7,991,179 B2 * 8/2011 Drambarean H04R 1/1016
381/325
D656,922 S * 4/2012 Massaro D14/223
D691,278 S * 10/2013 Aunio D14/223

(Continued)

FOREIGN PATENT DOCUMENTS

EM 002227751-0002 * 4/2013
Primary Examiner — Paula Allen Greene

(57) **CLAIM**

The ornamental design for an earphone, as shown and described.

DESCRIPTION

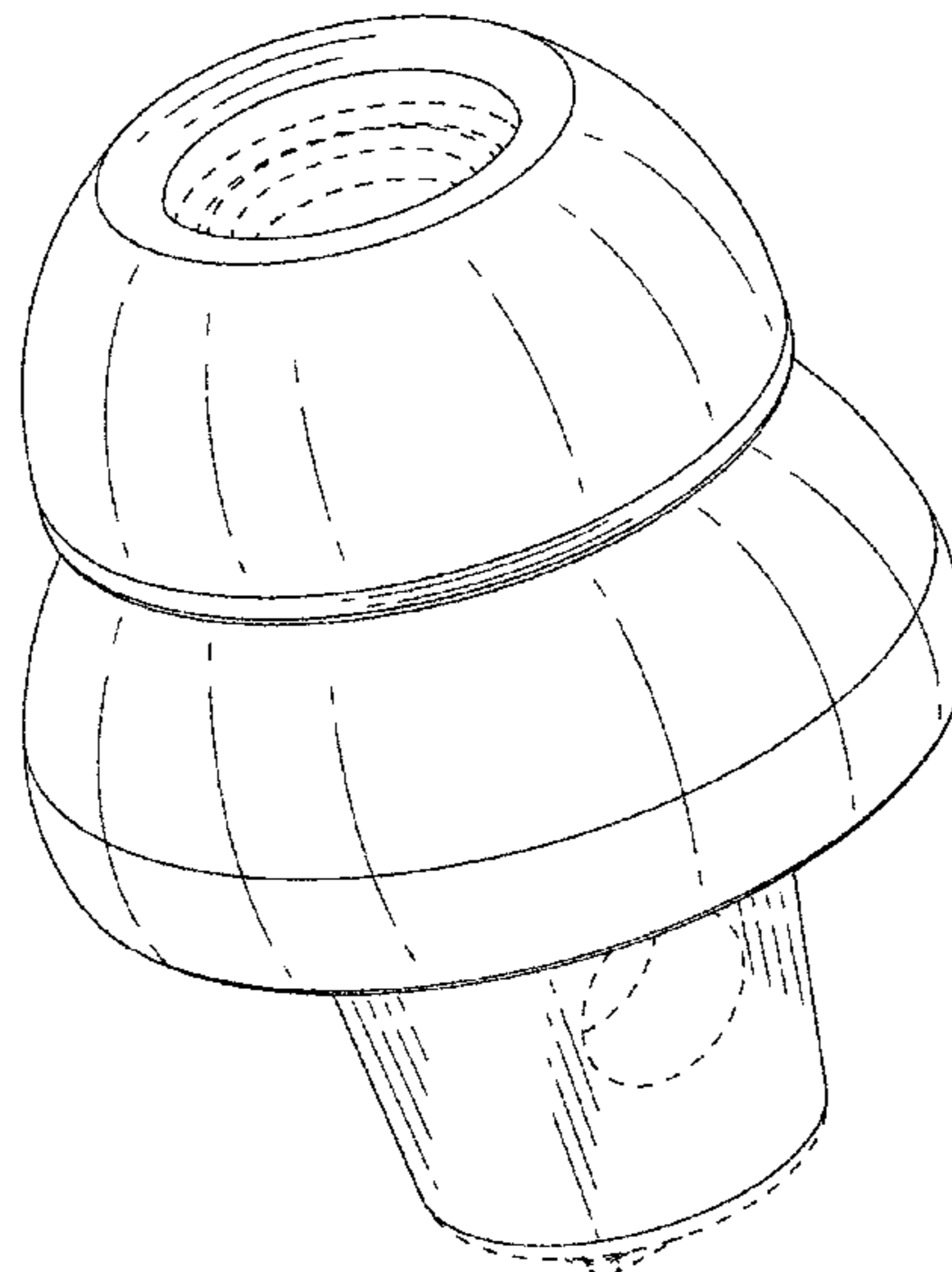
FIG. 1 is a perspective view of an earphone showing my new design;
FIG. 2 is a front elevational view thereof;
FIG. 3 is a rear elevational view thereof;
FIG. 4 is a left side elevational view thereof;
FIG. 5 is a right side elevational view thereof;
FIG. 6 is a top plan view thereof; and,
FIG. 7 is a bottom plan view thereof.
The broken lines depict environment that forms no part of the claimed design.

1 Claim, 7 Drawing Sheets

(56) **References Cited**

U.S. PATENT DOCUMENTS

2,246,737 A * 6/1941 Knudsen A61F 11/08
128/865
2,487,038 A * 11/1949 Baum A61F 11/08
128/867
D195,322 S * 5/1963 Hill D24/106
4,539,708 A * 9/1985 Norris H04B 1/088
455/100
5,113,967 A * 5/1992 Killion A61F 11/08
181/132
D330,761 S * 11/1992 Falco D24/106
5,819,745 A * 10/1998 Mobley A61F 11/08
128/864



(56)

References Cited

U.S. PATENT DOCUMENTS

8,548,536	B1 *	10/2013	Gunnip	H04M 1/04 248/585
8,731,227	B2 *	5/2014	Hwang	H04R 1/1091 181/135
8,820,470	B2 *	9/2014	Brown	A61F 11/08 128/864
8,983,108	B2 *	3/2015	Ho	H04R 1/1016 181/135
D777,710	S *	1/2017	Palmborg	D14/223
2011/0051979	A1 *	3/2011	Lee	H04R 1/1016 381/380
2011/0223864	A1 *	9/2011	Wai	H04R 25/656 455/41.3

* cited by examiner

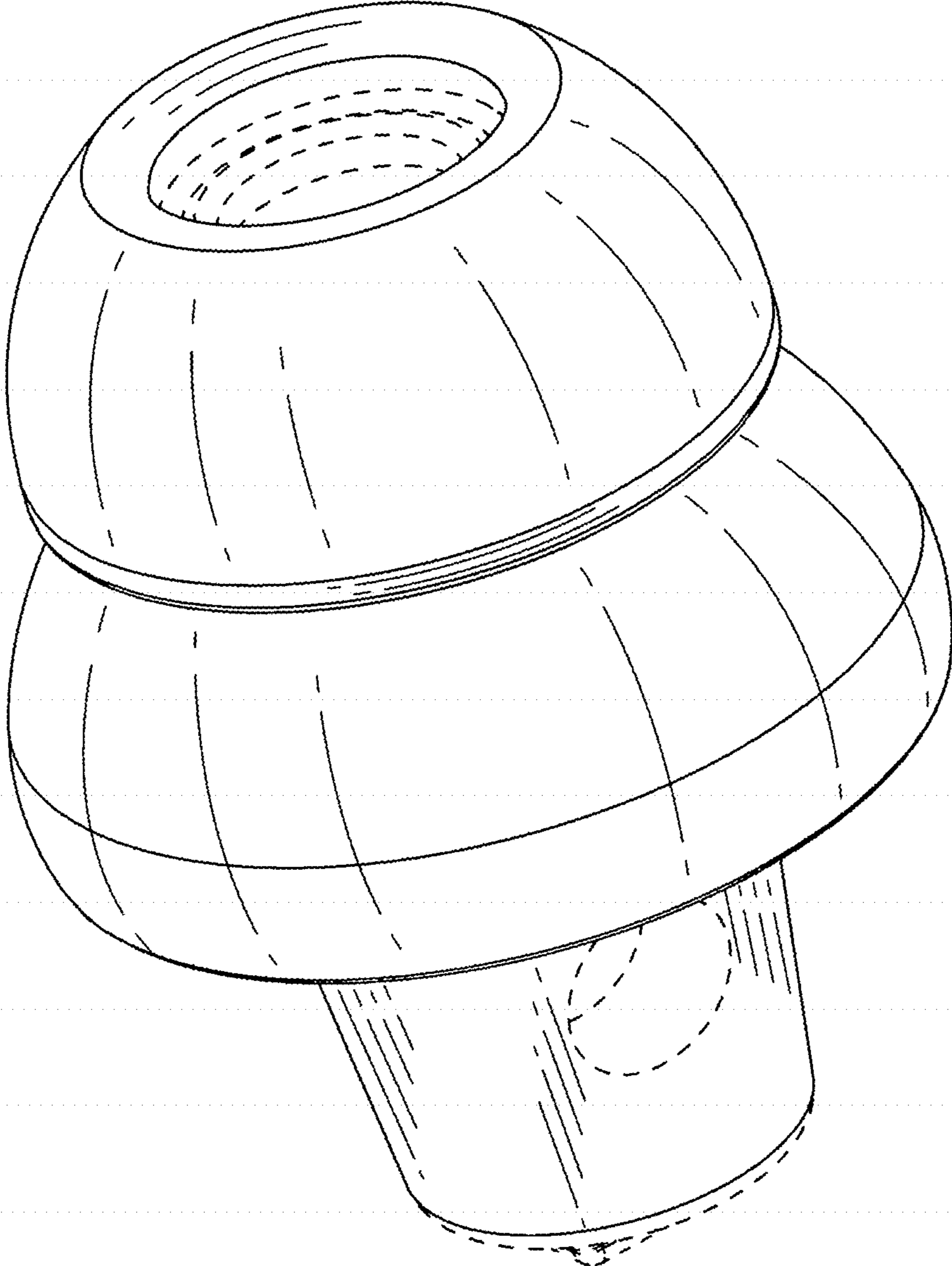


FIG.1

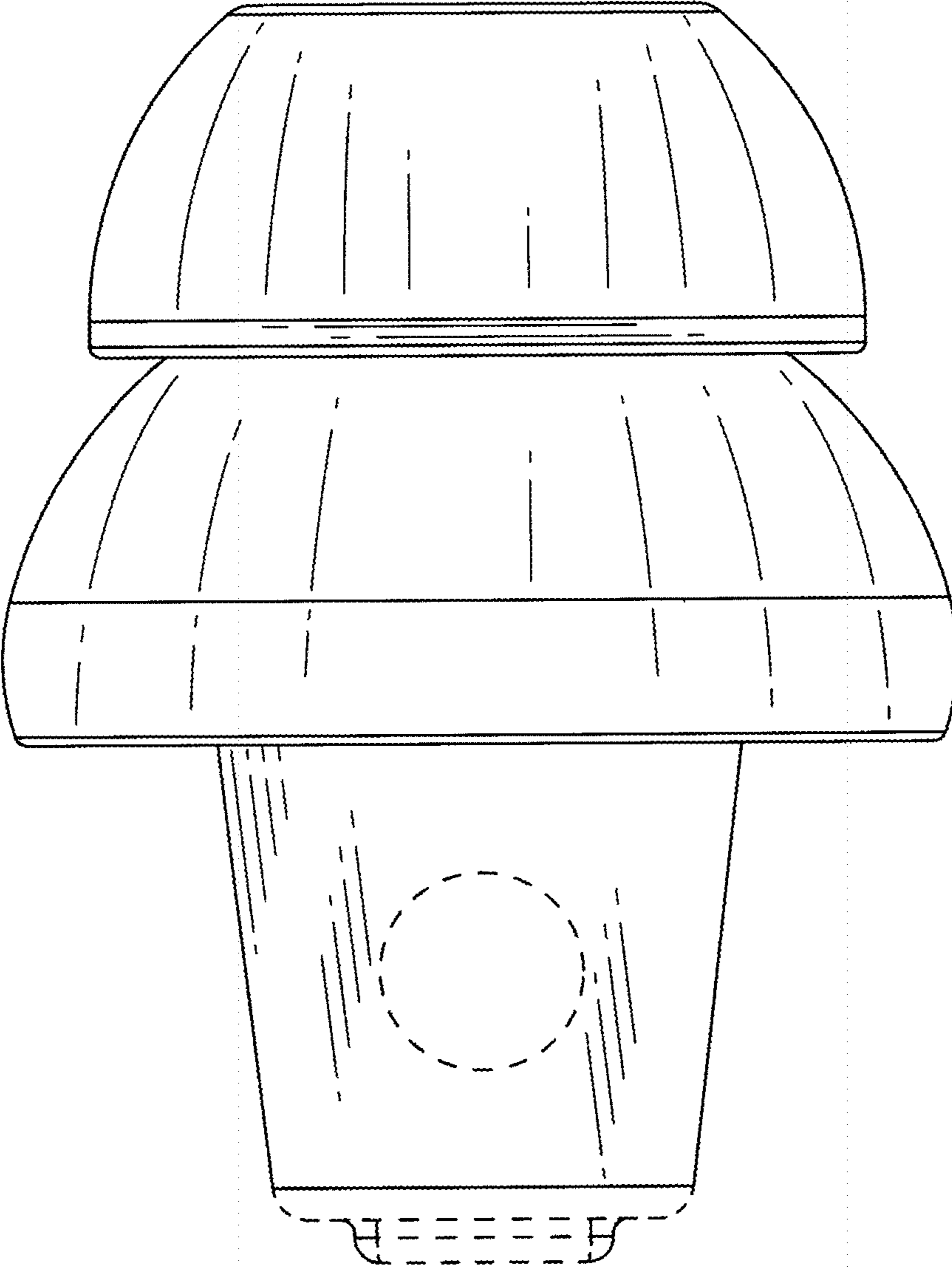


FIG.2

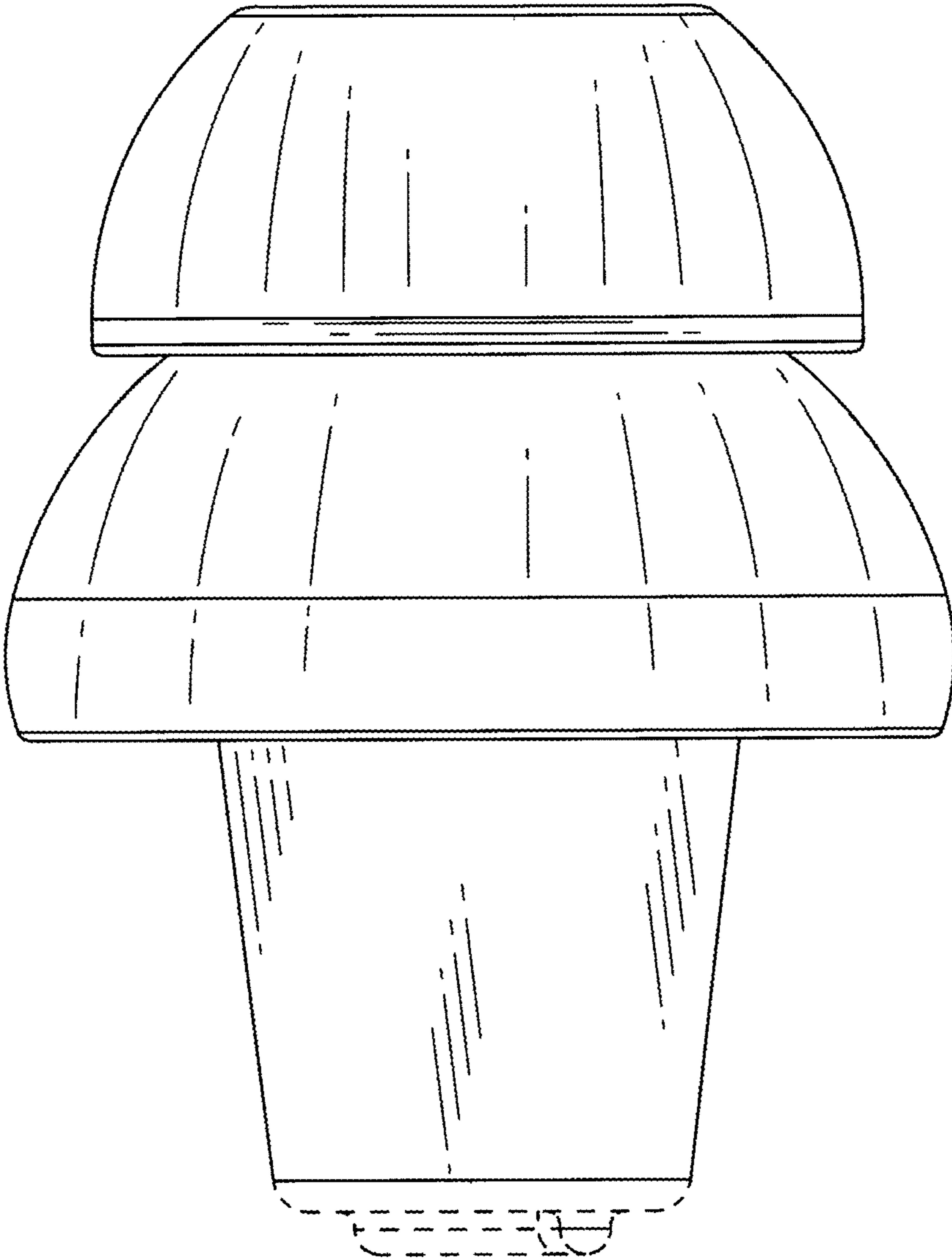


FIG.3

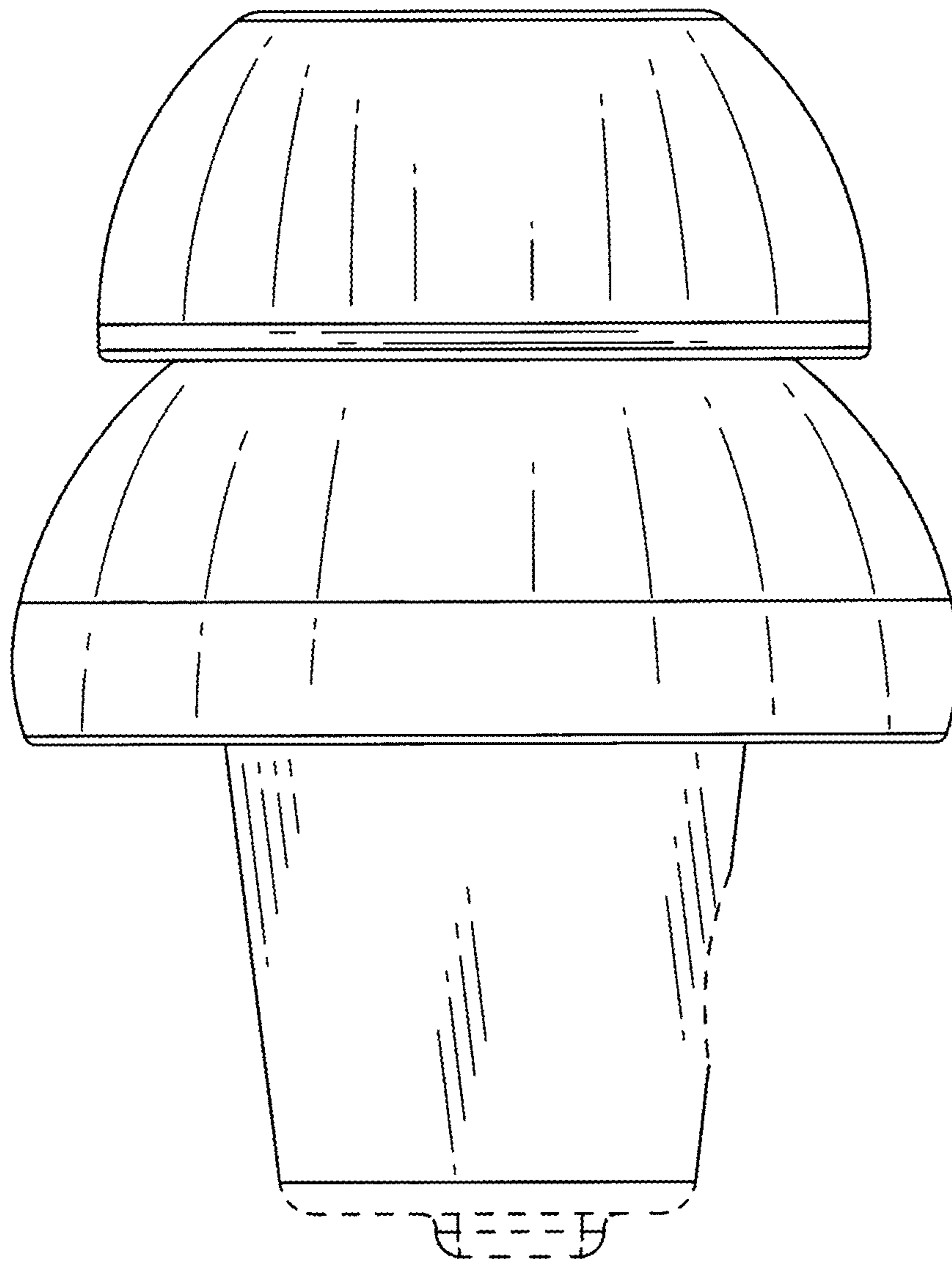


FIG.4

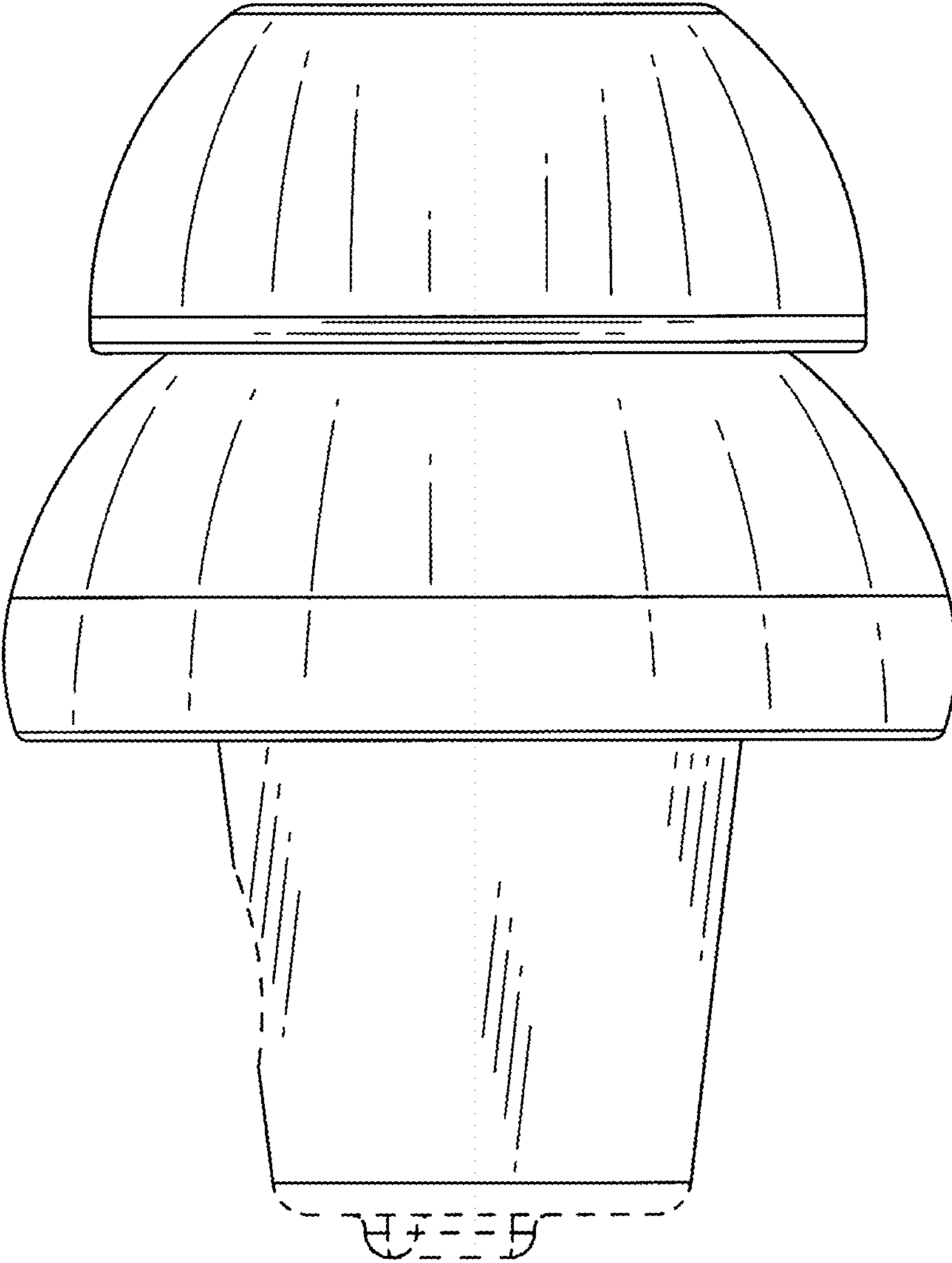


FIG.5

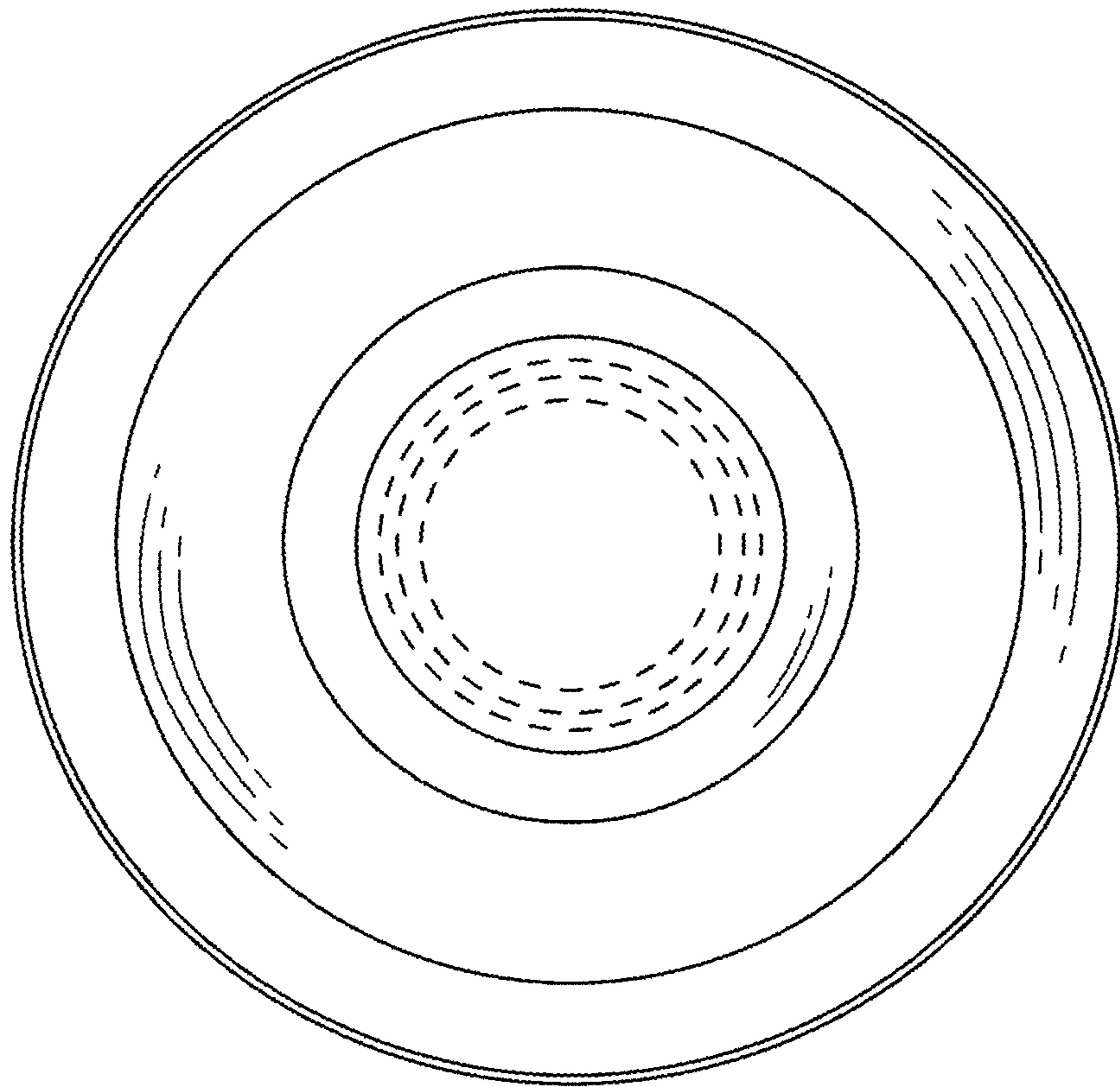


FIG.6

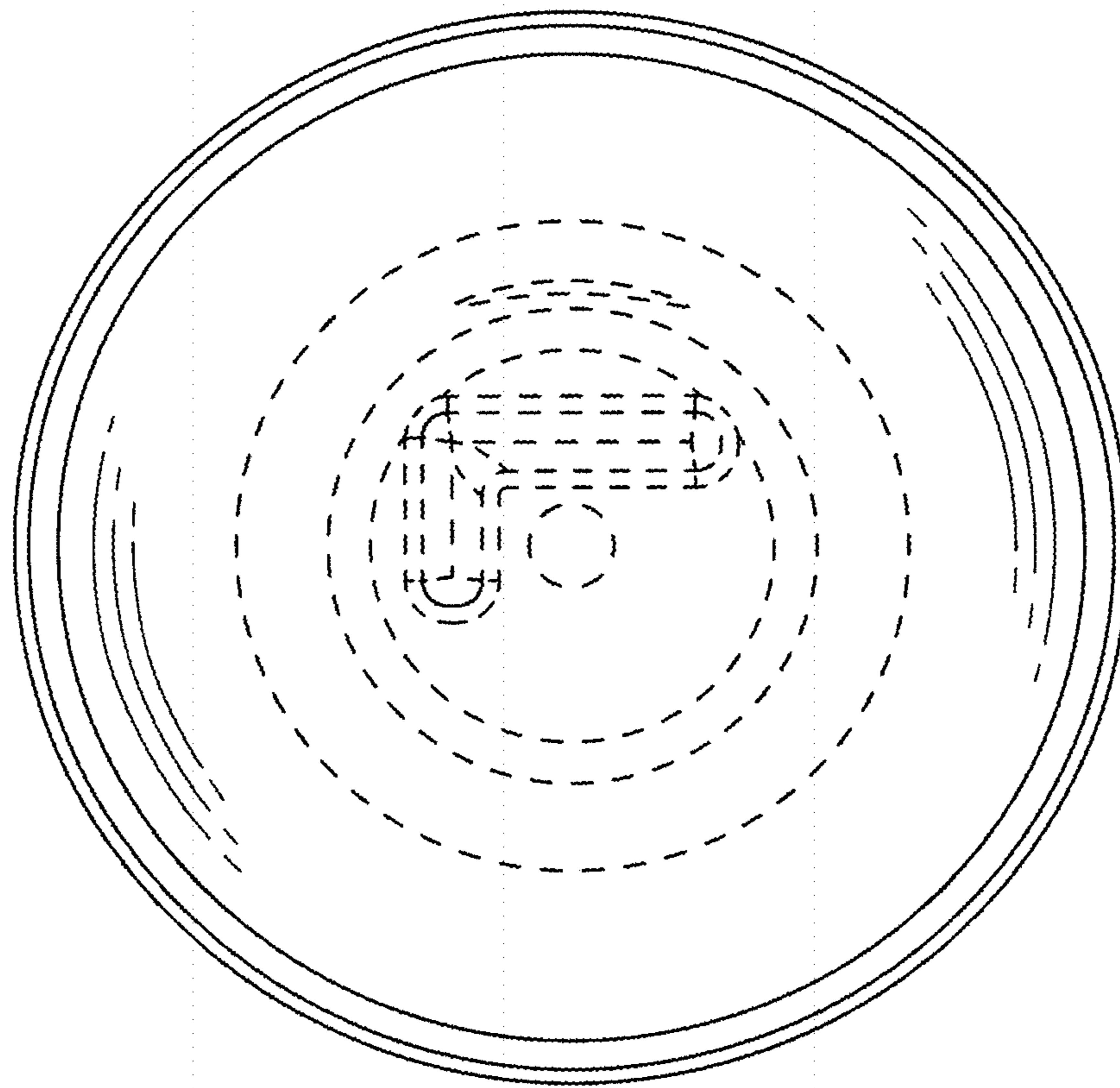


FIG. 7