



US00D872056S

(12) **United States Design Patent** (10) **Patent No.:** **US D872,056 S**
Akaishi (45) **Date of Patent:** **** Jan. 7, 2020**

(54) **CONTROLLER FOR DIGITAL AUDIO PLAYER**

(71) Applicant: **Pioneer DJ CORPORATION**,
Yokohama-shi, Kanagawa (JP)

(72) Inventor: **Hiroki Akaishi**, Tokyo (JP)

(73) Assignee: **PIONEER DJ CORPORATION**,
Yokohama-Shi (JP)

(**) Term: **15 Years**

(21) Appl. No.: **29/664,296**

(22) Filed: **Sep. 24, 2018**

(30) **Foreign Application Priority Data**

May 11, 2018 (JP) 2018-010243

(51) **LOC (12) Cl.** **14-03**

(52) **U.S. Cl.**
USPC **D14/217**

(58) **Field of Classification Search**
USPC D14/217, 257, 258, 434, 496, 162, 167,
D14/175, 188, 196-198

CPC G10H 1/0066; G10H 1/0008; G10H
2220/106; G10H 1/32; G10H 2220/096;
G10H 2230/015; G10H 1/38; G10H
1/0091; G10H 2210/125; G10H 1/34;
G10H 1/348; G10H 1/02; G10H 1/46;
G10H 1/0025; G10H 2210/066; G10H
2220/201; G10H 2220/241; G10H
2240/211; G10H 7/008; G10H 7/02;
G10H 1/0058; G10H 2230/021; G10H
3/146; G10H 7/00; G10H 1/00; G10H
1/28; G10H 1/342; G10H 1/36; G10H
1/383; G10H 2210/081; G10H 2210/095;
G10H 3/188; G10H 1/0033; G10H
1/0083; G10H 1/0575; G10H 1/06; G10H
1/18; G10H 1/386; G10H 2220/101

See application file for complete search history.

(56) **References Cited**

U.S. PATENT DOCUMENTS

D771,594 S *	11/2016	Hong	D14/217
D778,263 S *	2/2017	Martel	D14/217
D806,058 S *	12/2017	Kimura	D14/217
D807,329 S *	1/2018	Kim	D14/217
D813,842 S *	3/2018	Kimura	D14/217
D846,528 S *	4/2019	Kuramoto	D14/217

FOREIGN PATENT DOCUMENTS

JP	1469257	5/2013
JP	1605497	6/2018

OTHER PUBLICATIONS

Notification dated Sep. 25, 2018 in Japanese Design Application No. 2018-010243, English translation included, 4 pages.

(Continued)

Primary Examiner — Khawaja Anwar

(74) *Attorney, Agent, or Firm* — Rankin, Hill & Clark
LLP

(57) **CLAIM**

I claim the ornamental design for a controller for digital audio player, as shown and described.

DESCRIPTION

FIG. 1 is an upper-right-front perspective view showing the design.

FIG. 2 is a lower-left-rear perspective view thereof.

FIG. 3 is a front view thereof.

FIG. 4 is a rear view thereof.

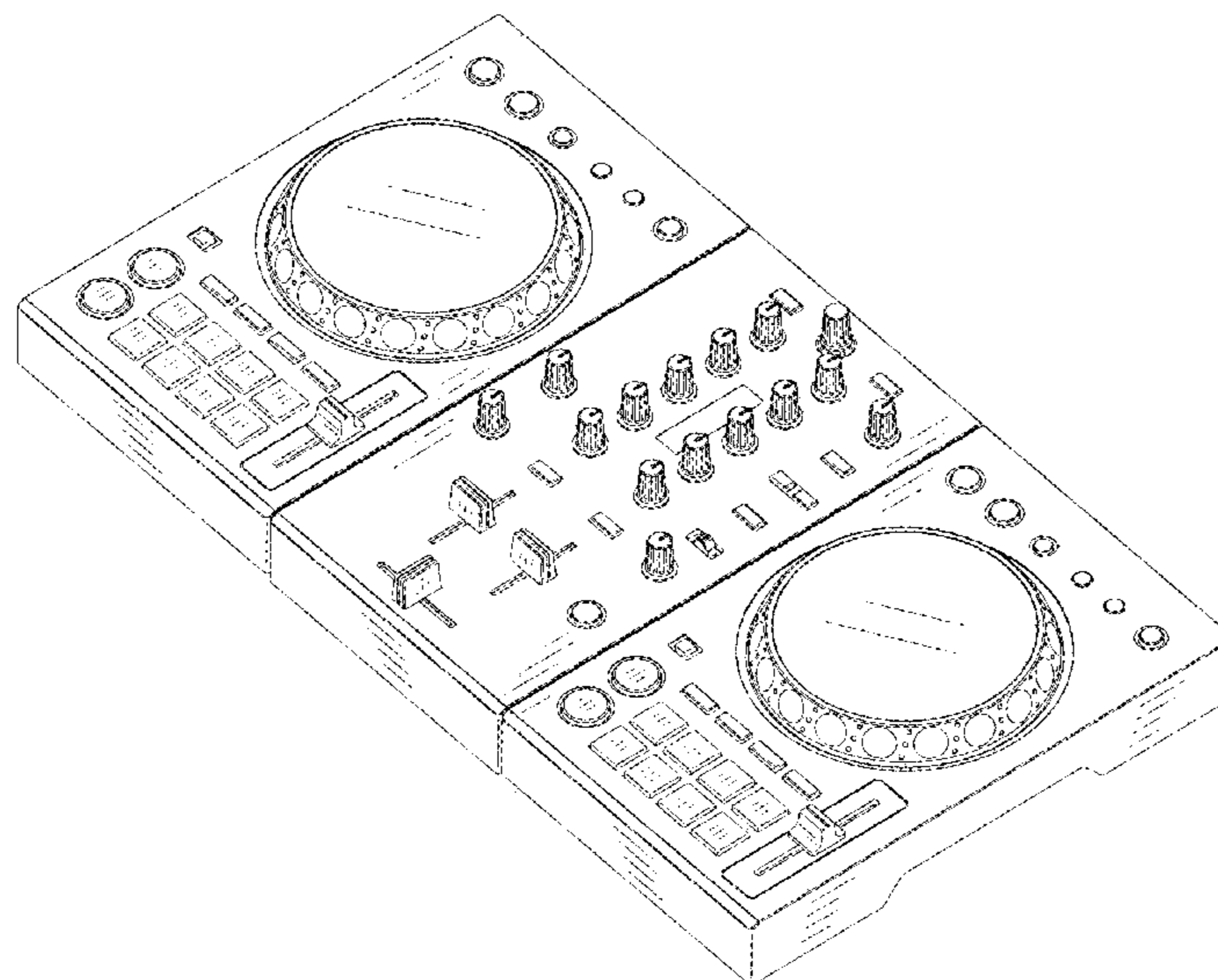
FIG. 5 is a left-side view thereof.

FIG. 6 is a right-side view thereof.

FIG. 7 is a top view thereof; and,

FIG. 8 is a bottom view thereof.

1 Claim, 8 Drawing Sheets



(56)

References Cited

OTHER PUBLICATIONS

Pioneer DJ Performance DJ Controller DDJ-SX New Oct. 2012, p. 1, DDJ-SX, (publicly known document number in the JPO design department: HC25002490), 1 page.

Pioneer Pioneer DJ Series, p. 27, (publicly known document number in the JPO design department: HC26007625), 1 page.

Pioneer Corporation, published on the homepage before, (publicly known document number in the JPO design department: HJ25051048), 1 page.

Pioneer Corporation, published on the homepage before, DDJ-SZ, (publicly known document number in the JPO design department: HJ25060631), 1 page.

Amazon.com, Inc., published on the homepage before, (publicly known document number in the JPO design department: HJ25056686), 10 pages.

Amazon.com, Inc., published on the homepage before, (publicly known document number in the JPO design department: HJ24057285), 10 pages.

* cited by examiner

FIG. 1

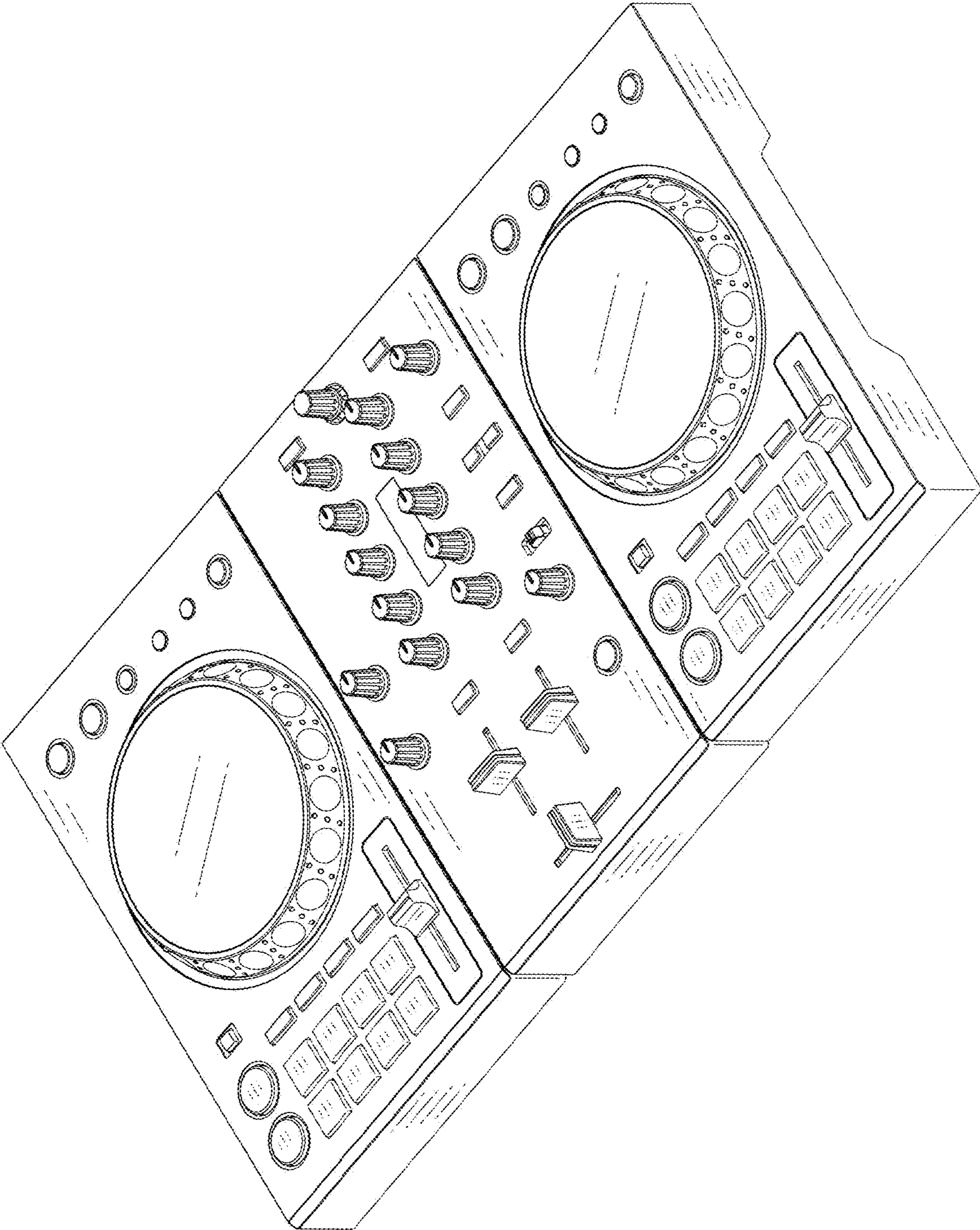


FIG. 2

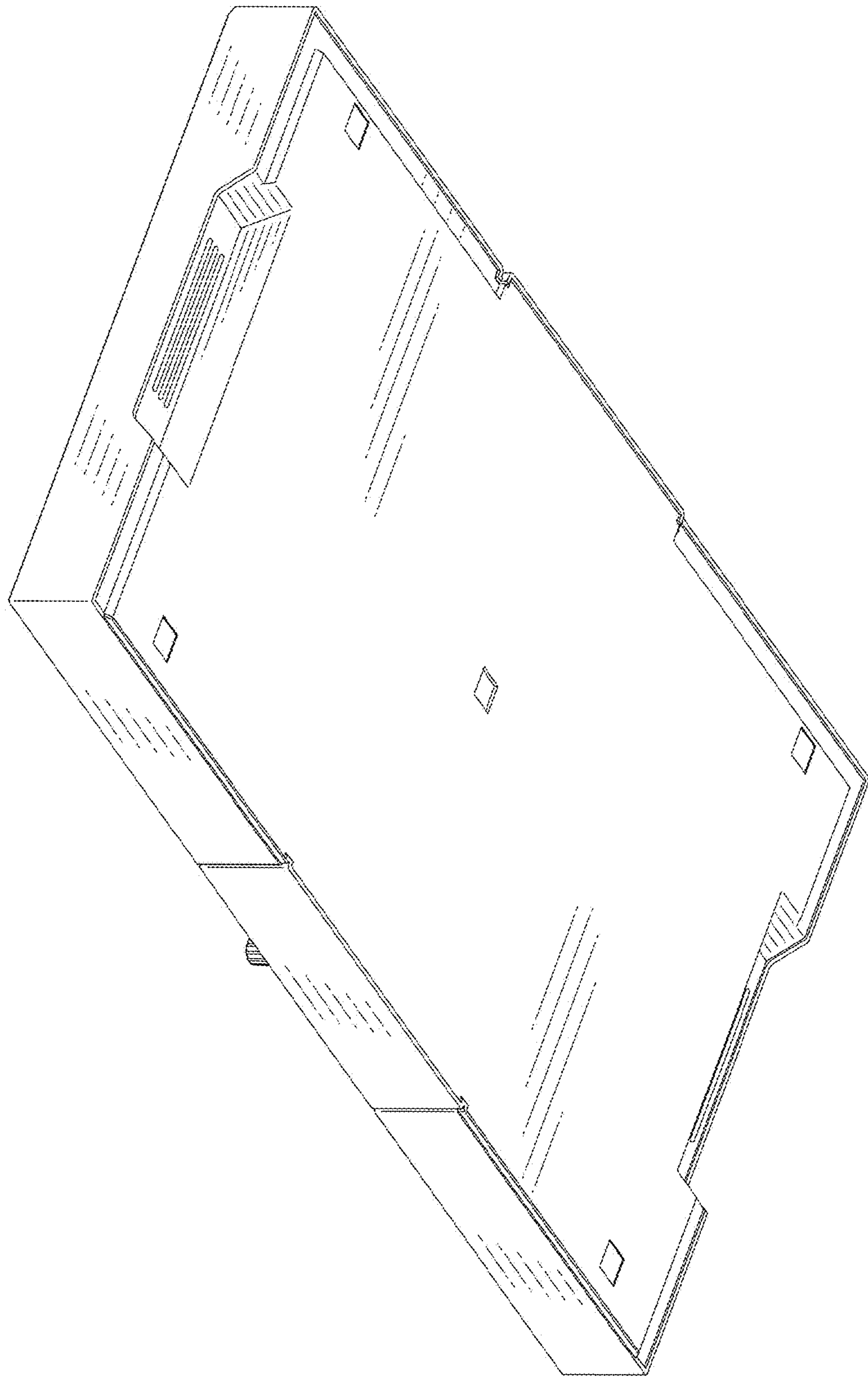


FIG. 3

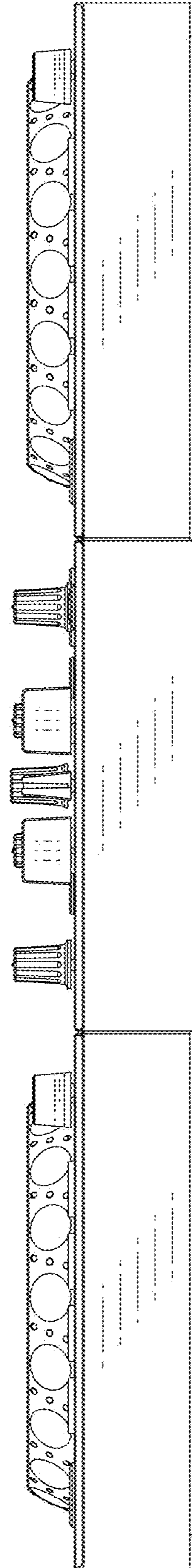


FIG. 4

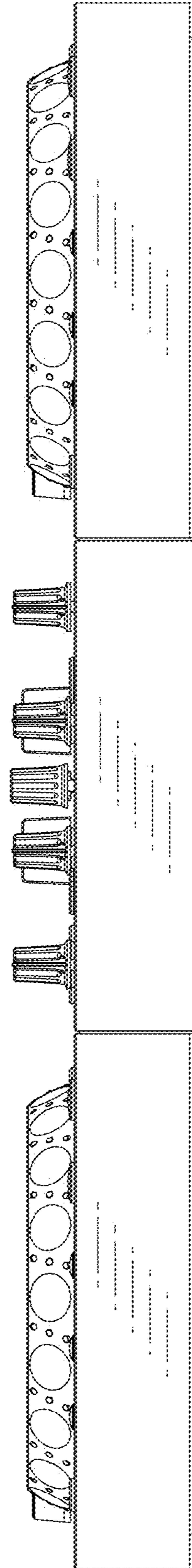


FIG. 5

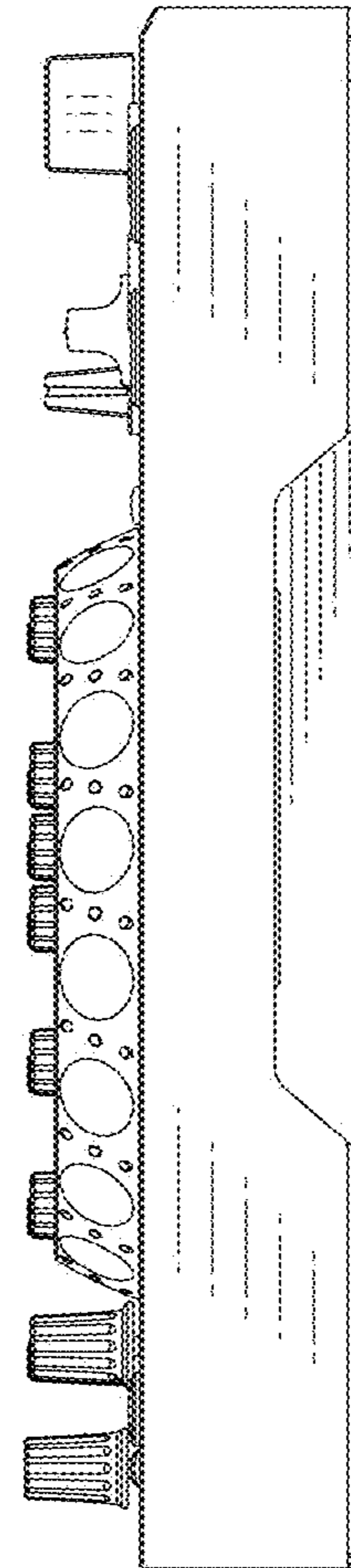


FIG. 6

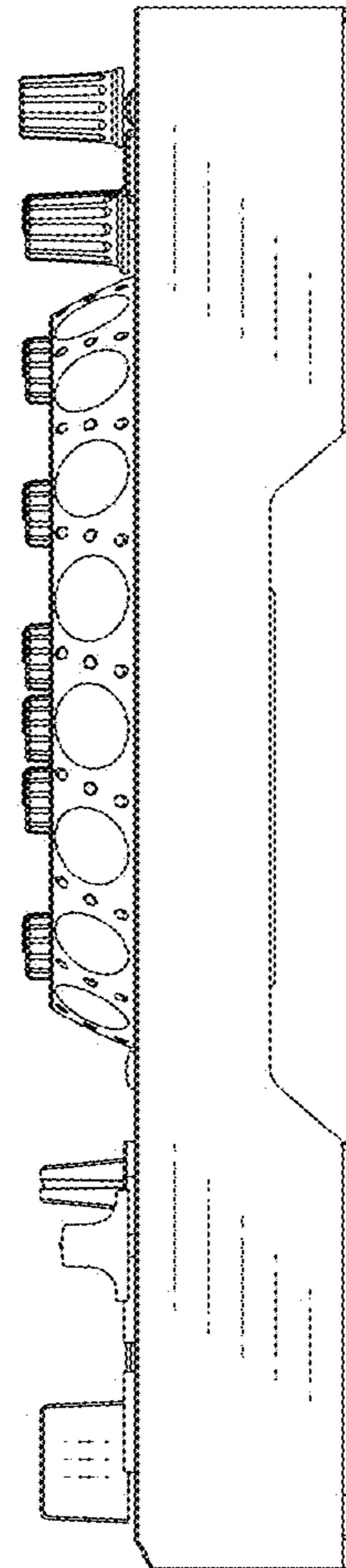


FIG. 7

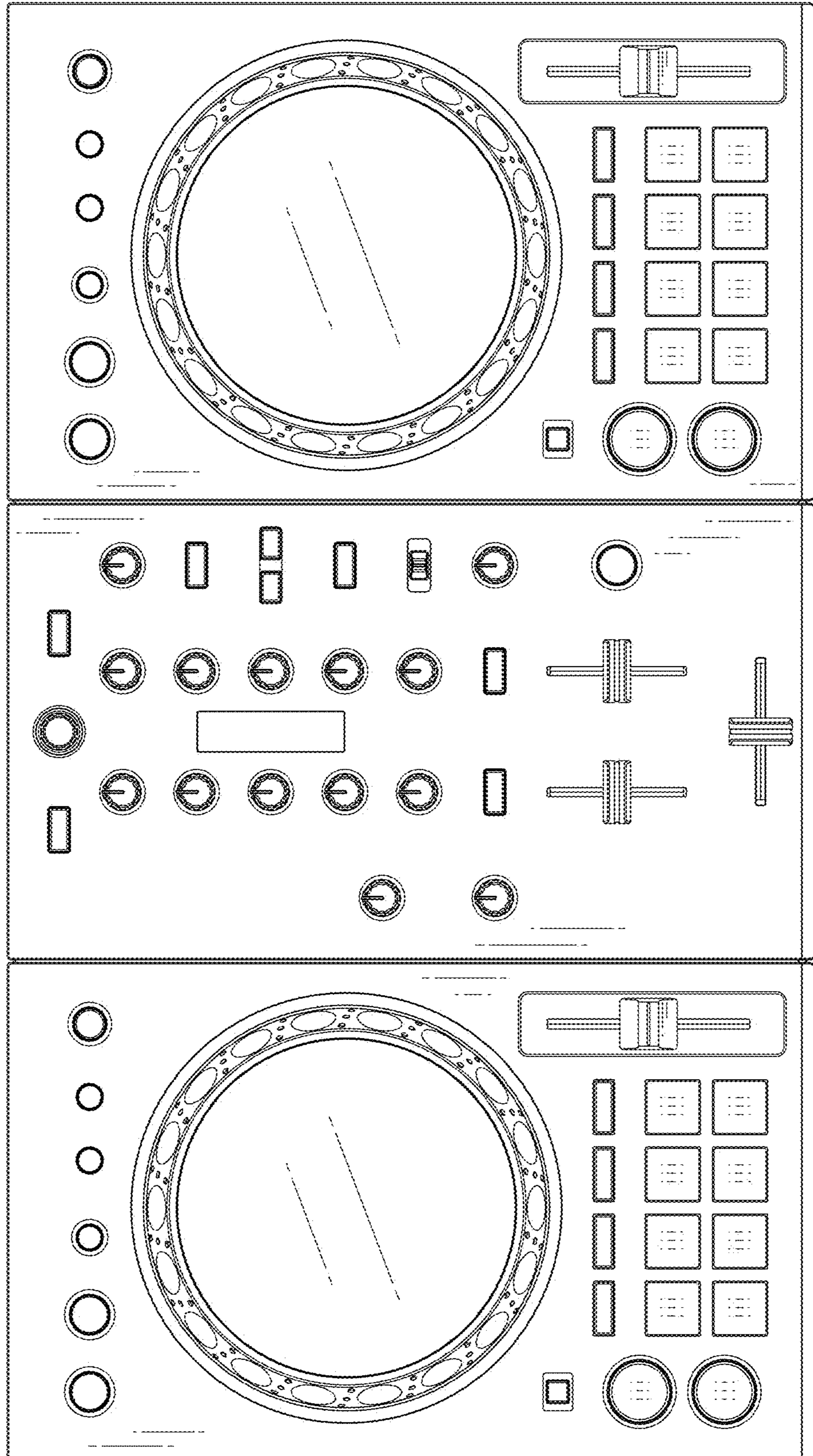


FIG. 8

