



US00D872055S

(12) **United States Design Patent**
Deng

(10) **Patent No.:** **US D872,055 S**

(45) **Date of Patent:** **** Jan. 7, 2020**

(54) **WIRELESS LOUDSPEAKER**

(71) Applicant: **Yu Deng**, Guangdong (CN)

(72) Inventor: **Yu Deng**, Guangdong (CN)

(**) Term: **15 Years**

(21) Appl. No.: **29/662,631**

(22) Filed: **Sep. 6, 2018**

(51) **LOC (12) Cl.** **14-01**

(52) **U.S. Cl.**
USPC **D14/215**

(58) **Field of Classification Search**

USPC D14/167, 168, 170–172, 188, 194–196,
D14/204, 209.1, 210–216, 219, 221, 222,
D14/224, 239, 496; D7/619.1, 620
CPC B60R 11/0217; G06F 1/1688; G10K 9/22;
G10K 11/004; H03F 1/327; H04M 1/03;
H04M 1/035; H04N 5/642; H04N
21/4852; H04R 1/02; H04R 1/06; H04R
1/021; H04R 1/025; H04R 1/026; H04R
1/028; H04R 1/105; H04R 1/323; H04R
1/403; H04R 1/2803; H04R 1/2834;
H04R 5/02; H04R 7/20; H04R 9/06;
H04R 9/025; H04R 2201/021; H04R
2400/00; H04R 2400/07; H04R 2499/11;
H04R 2499/13; H04R 2499/15; H04S
3/00; H04S 7/30

See application file for complete search history.

(56) **References Cited**

U.S. PATENT DOCUMENTS

D448,978 S * 10/2001 Isbell D7/619.1
D731,466 S * 6/2015 Tehrani D14/216
D797,521 S * 9/2017 Kellow, Jr. D7/619.1
D817,110 S * 5/2018 Kellow, Jr. D7/619.1

* cited by examiner

Primary Examiner — Keli L Hill

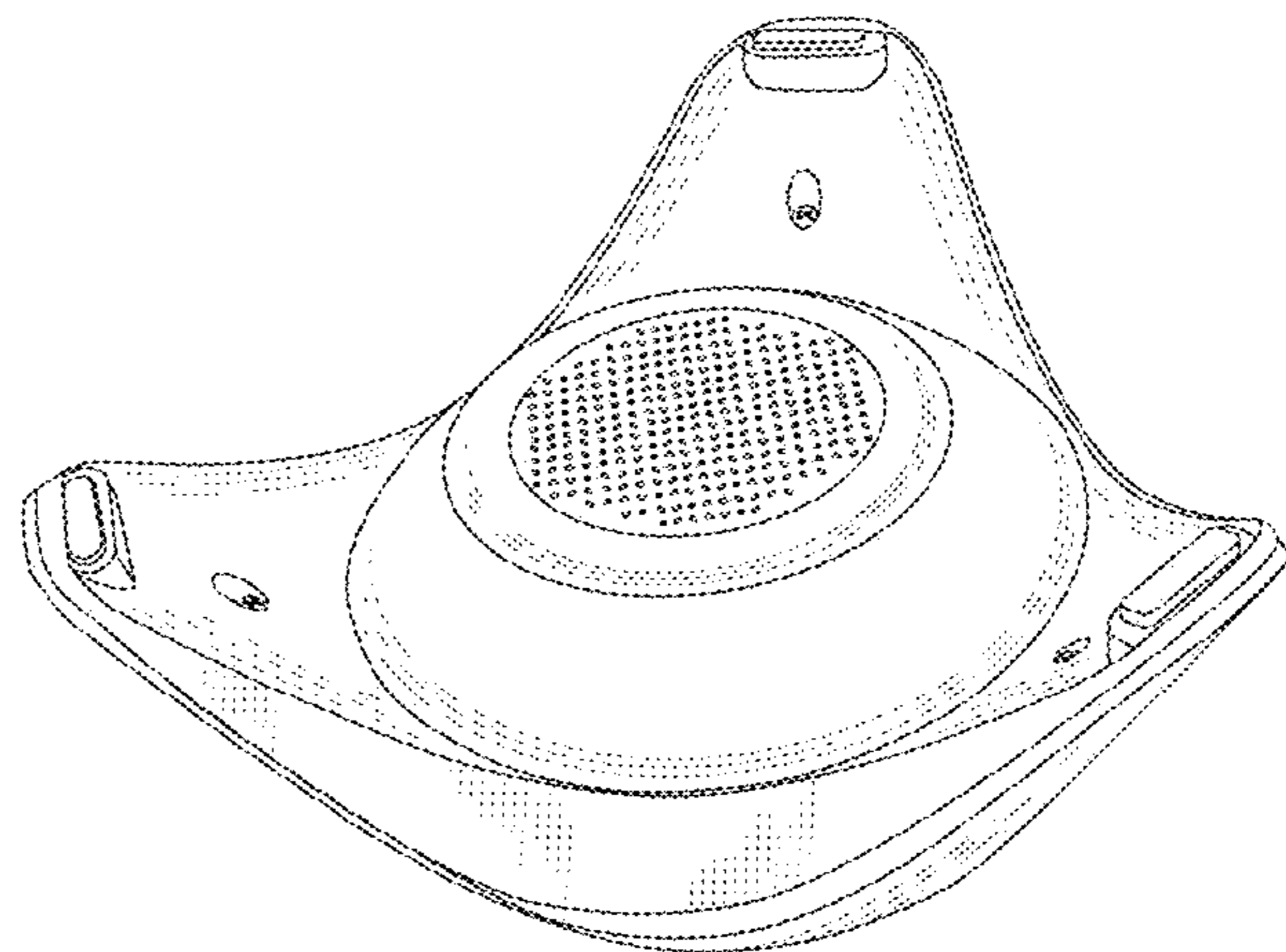
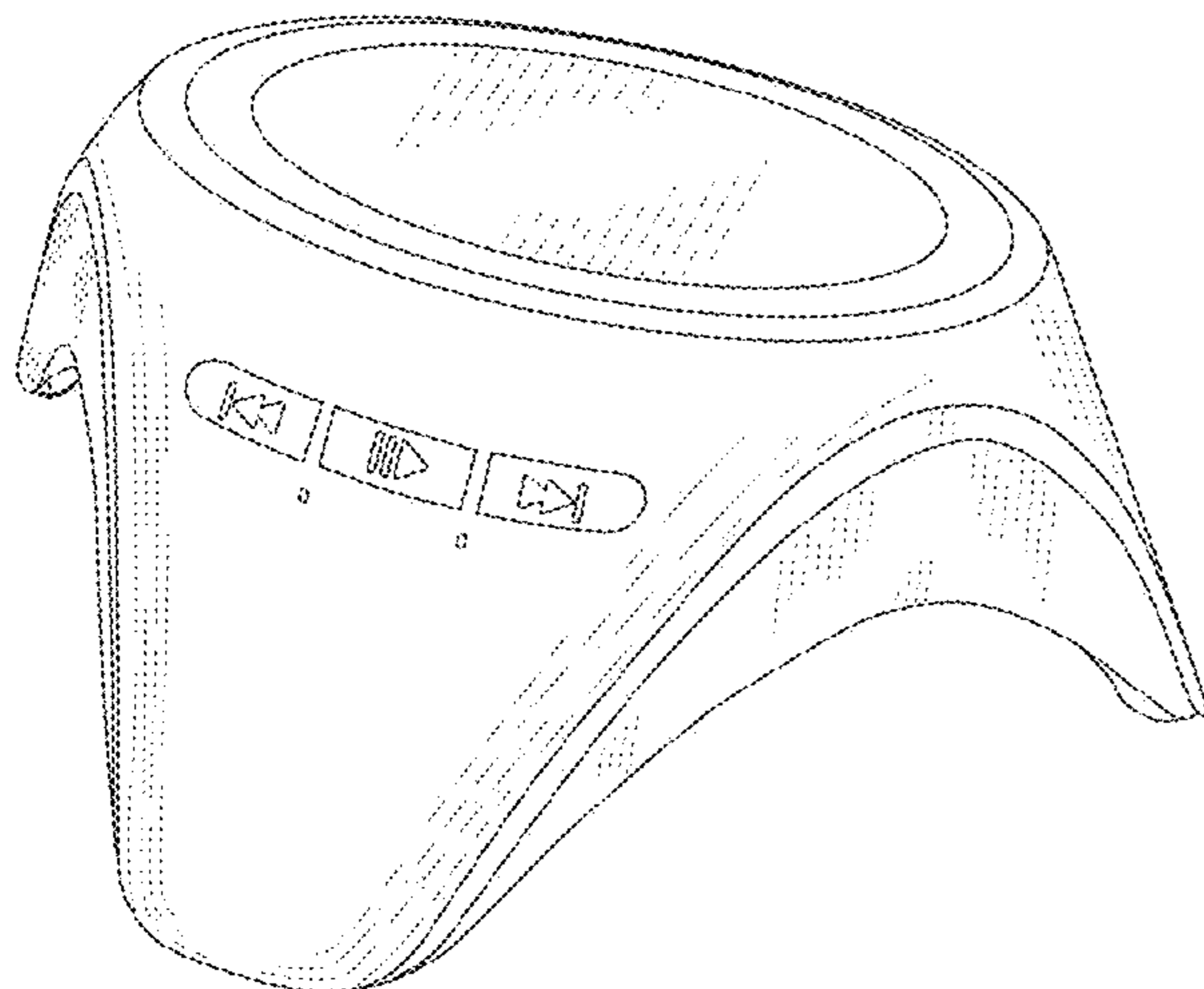
(57) **CLAIM**

I claim the ornamental design for a wireless loudspeaker, as shown and described.

DESCRIPTION

FIG. 1 is a perspective view of a wireless loudspeaker showing my new design;
FIG. 2 is a front elevational view thereof;
FIG. 3 is a rear elevational view thereof;
FIG. 4 is a left side elevational view thereof;
FIG. 5 is a right side elevational view thereof;
FIG. 6 is a top plan view thereof;
FIG. 7 is a bottom plan view thereof; and,
FIG. 8 is a perspective view thereof, showing from the rear view.

1 Claim, 8 Drawing Sheets



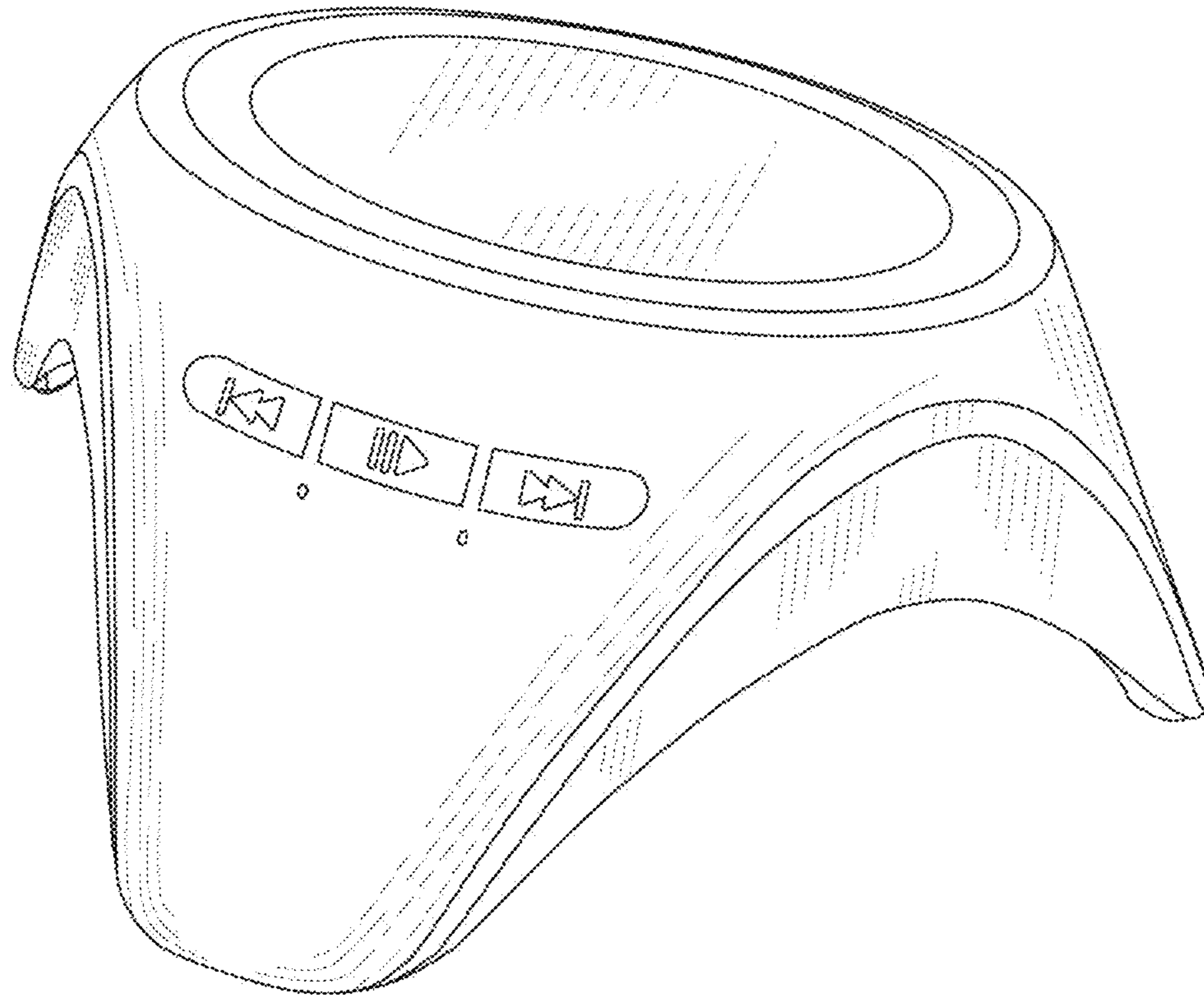


FIG.1

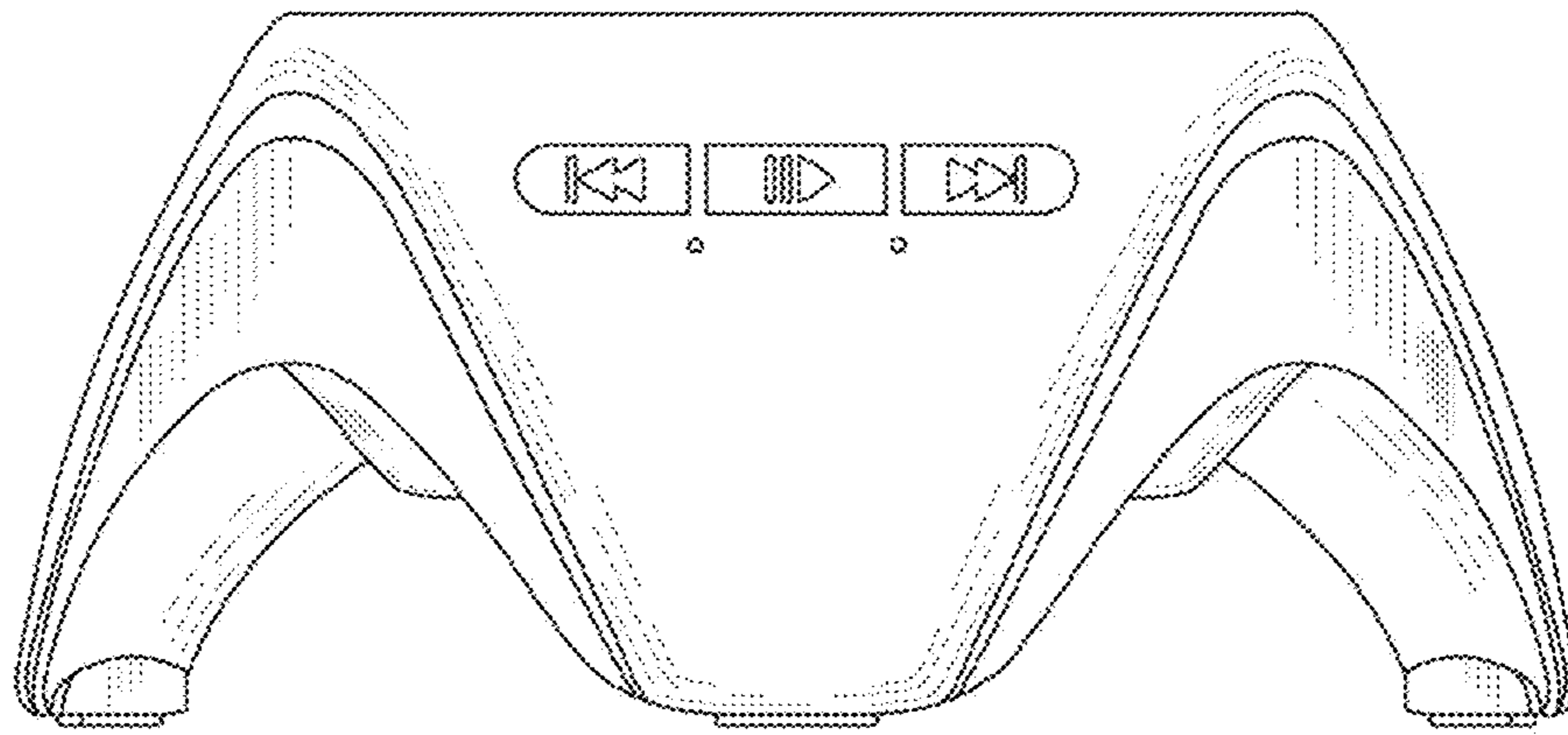


FIG.2

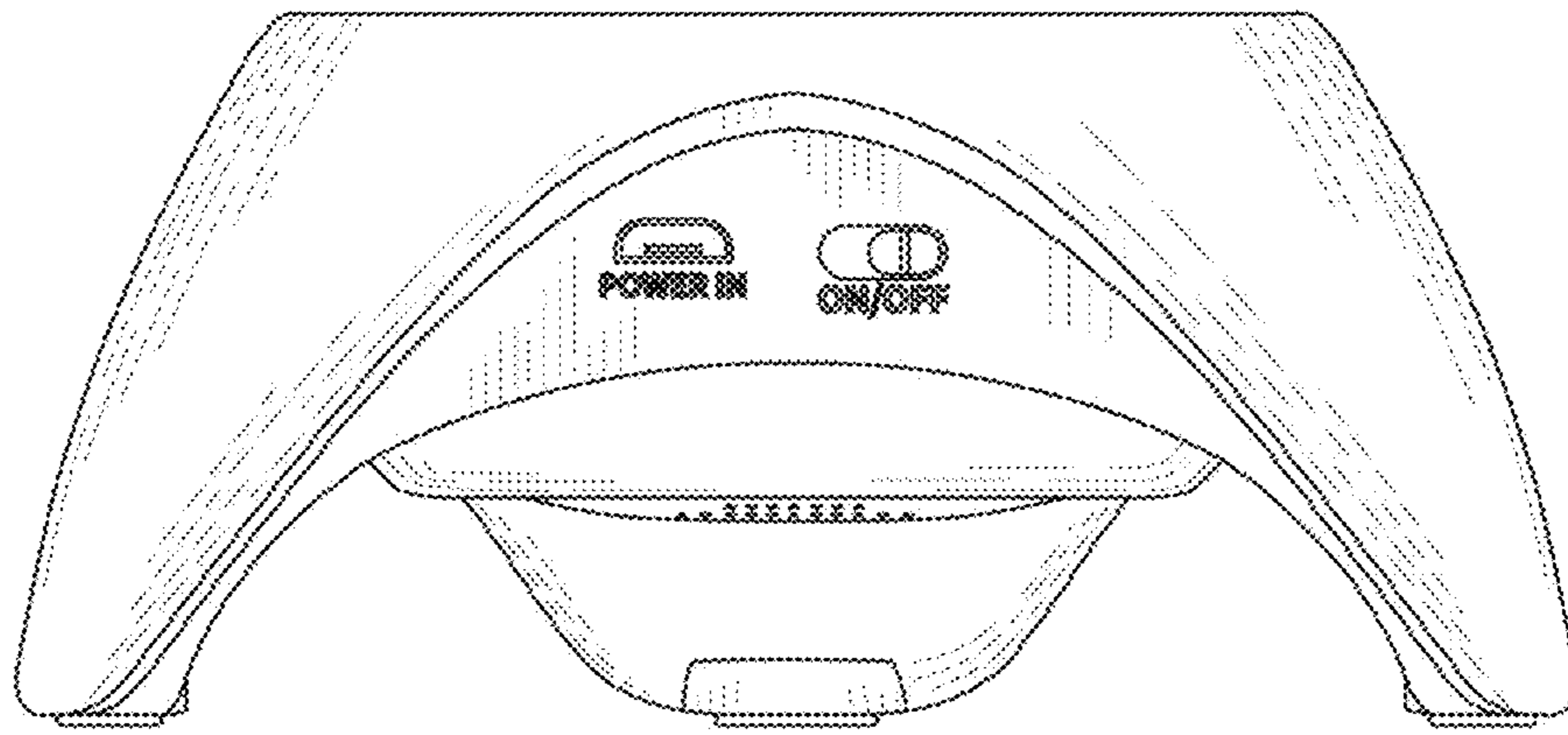


FIG.3

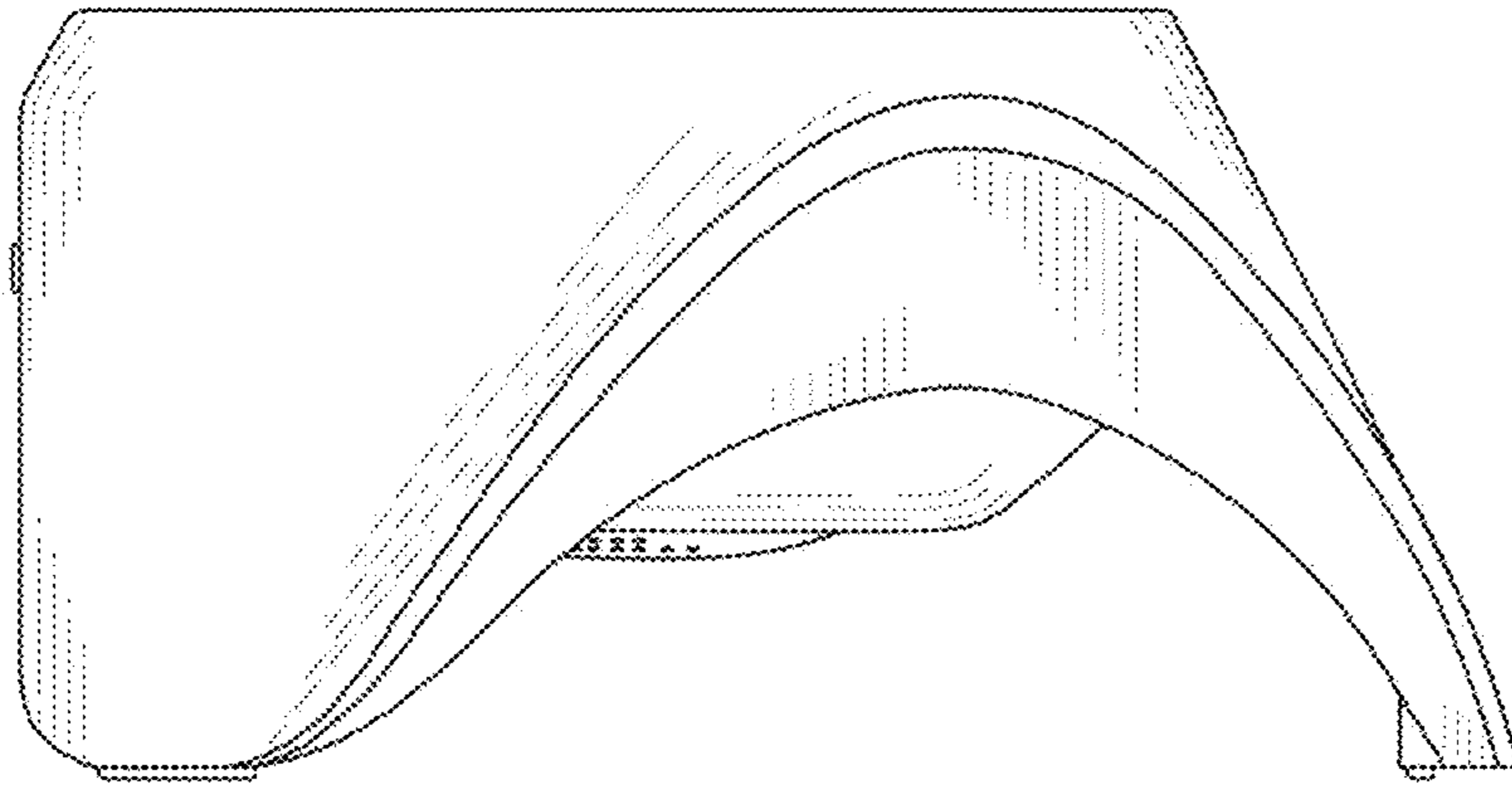


FIG.4

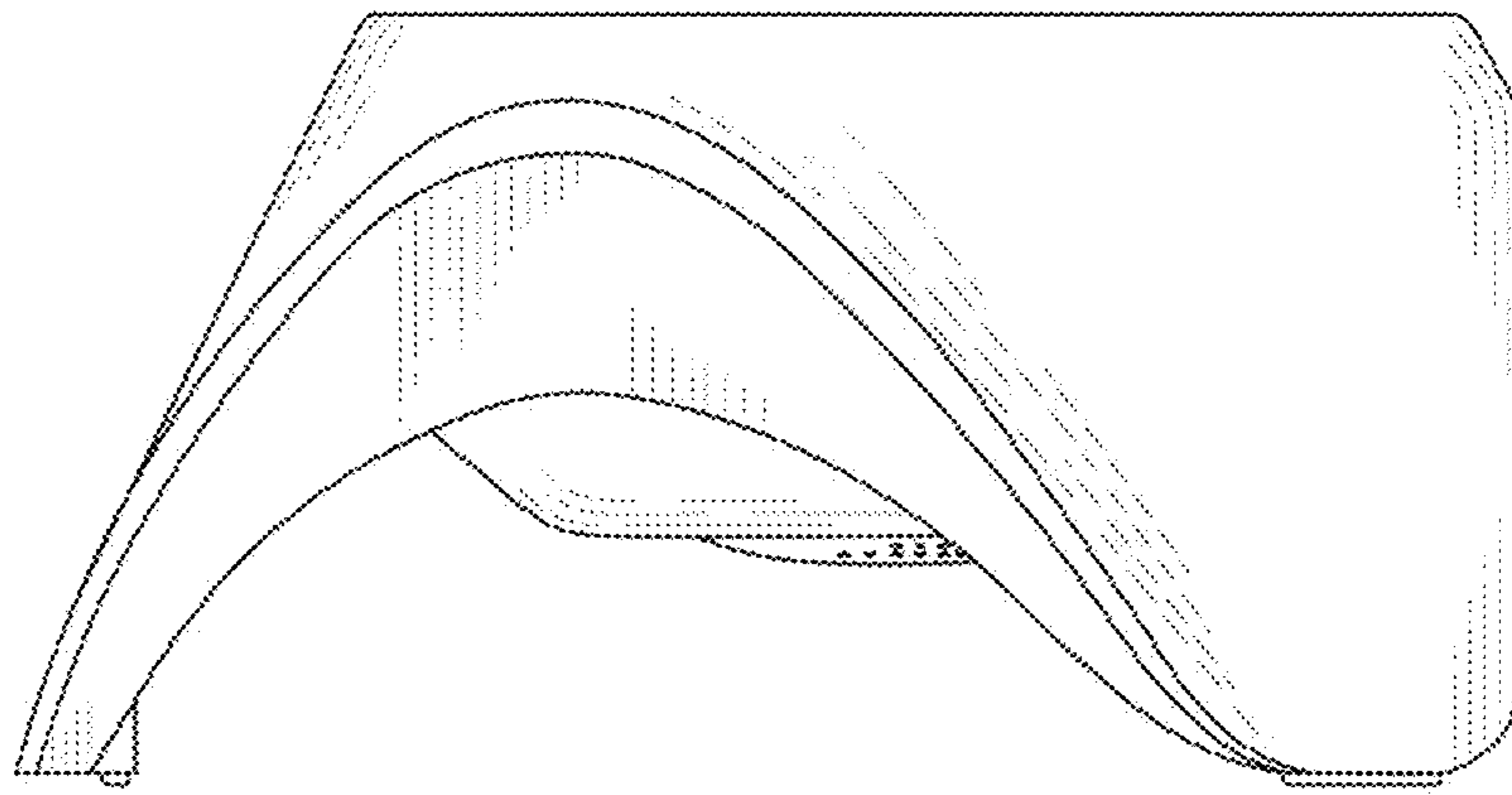


FIG.5

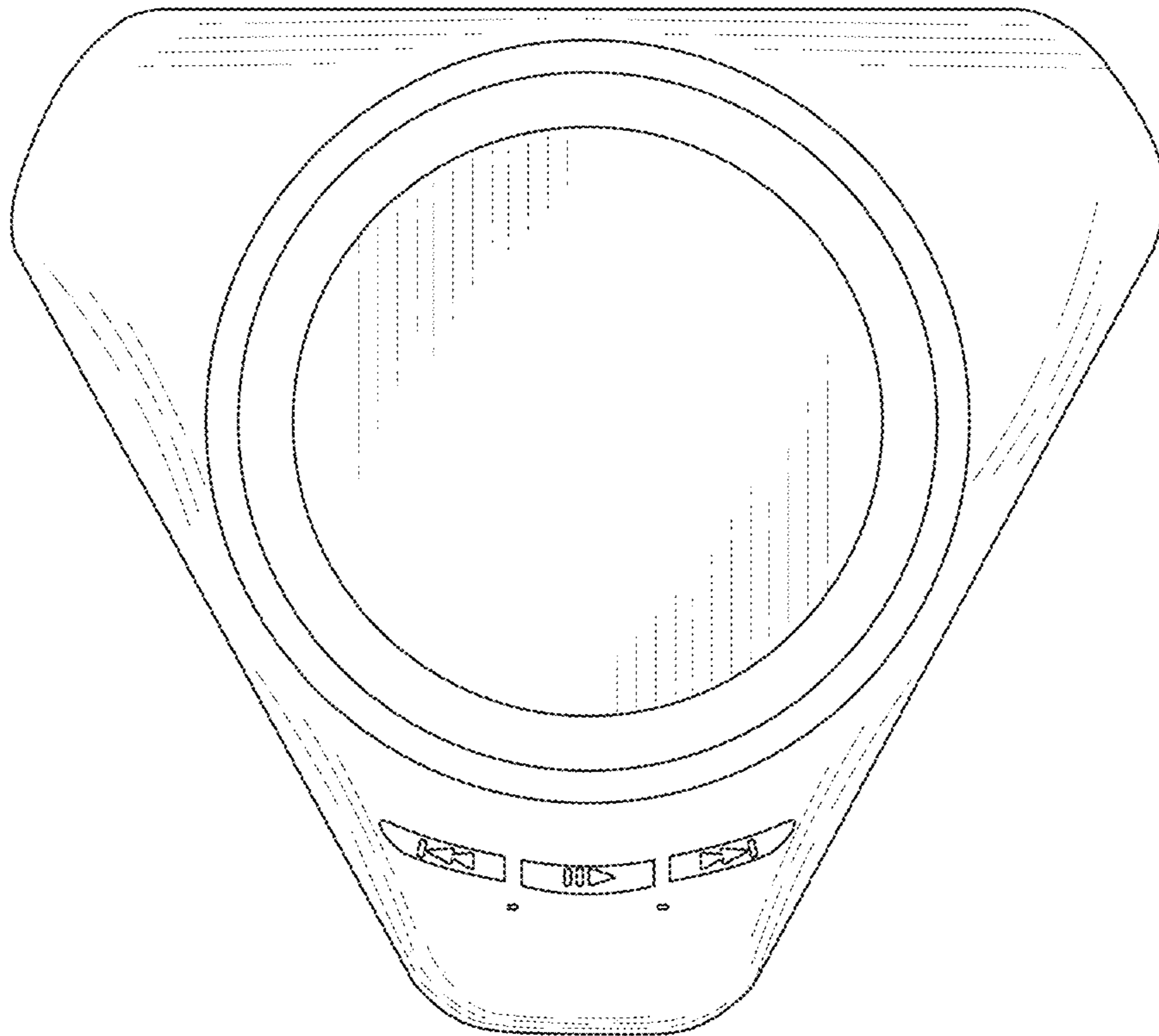


FIG.6

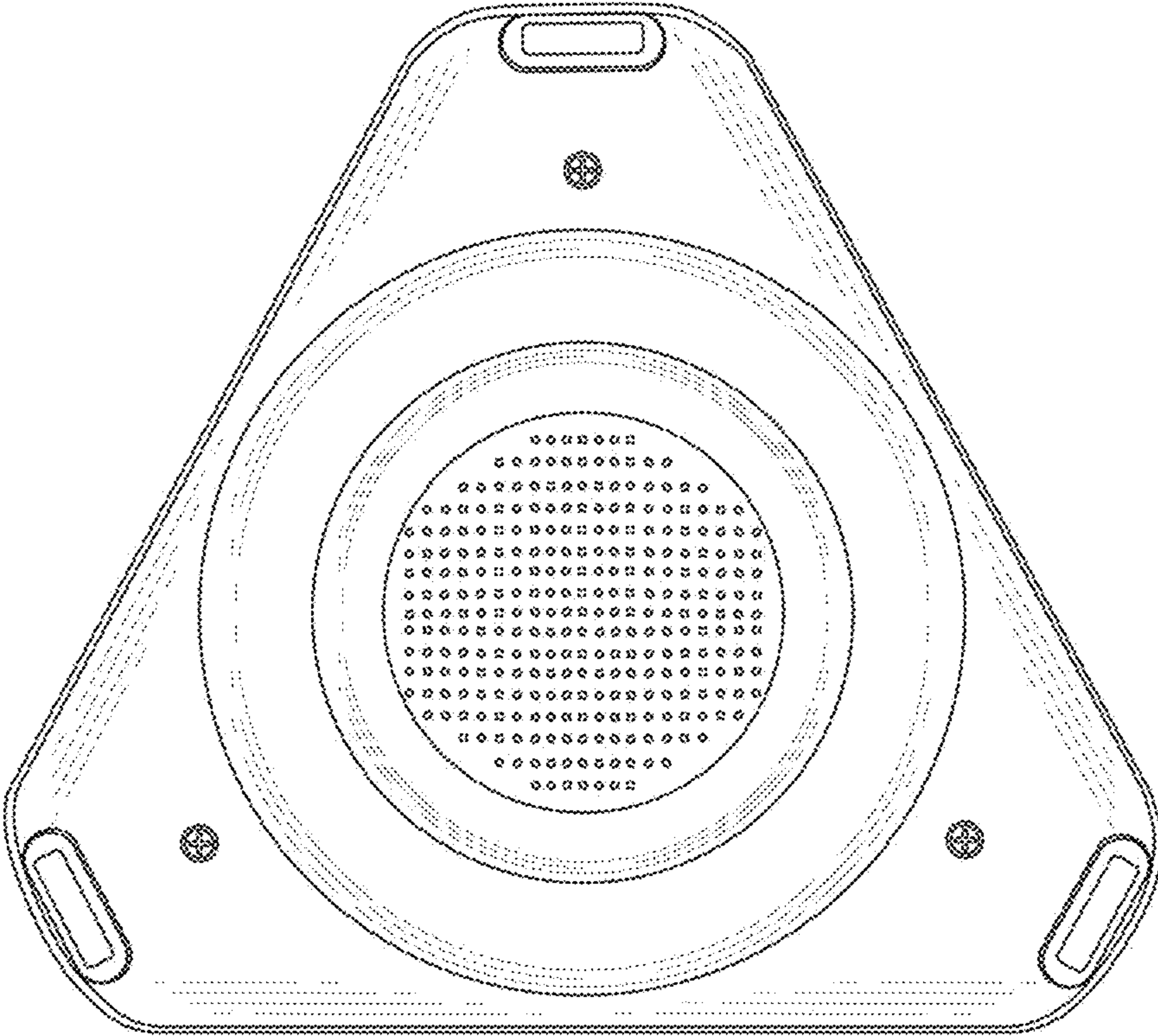


FIG.7

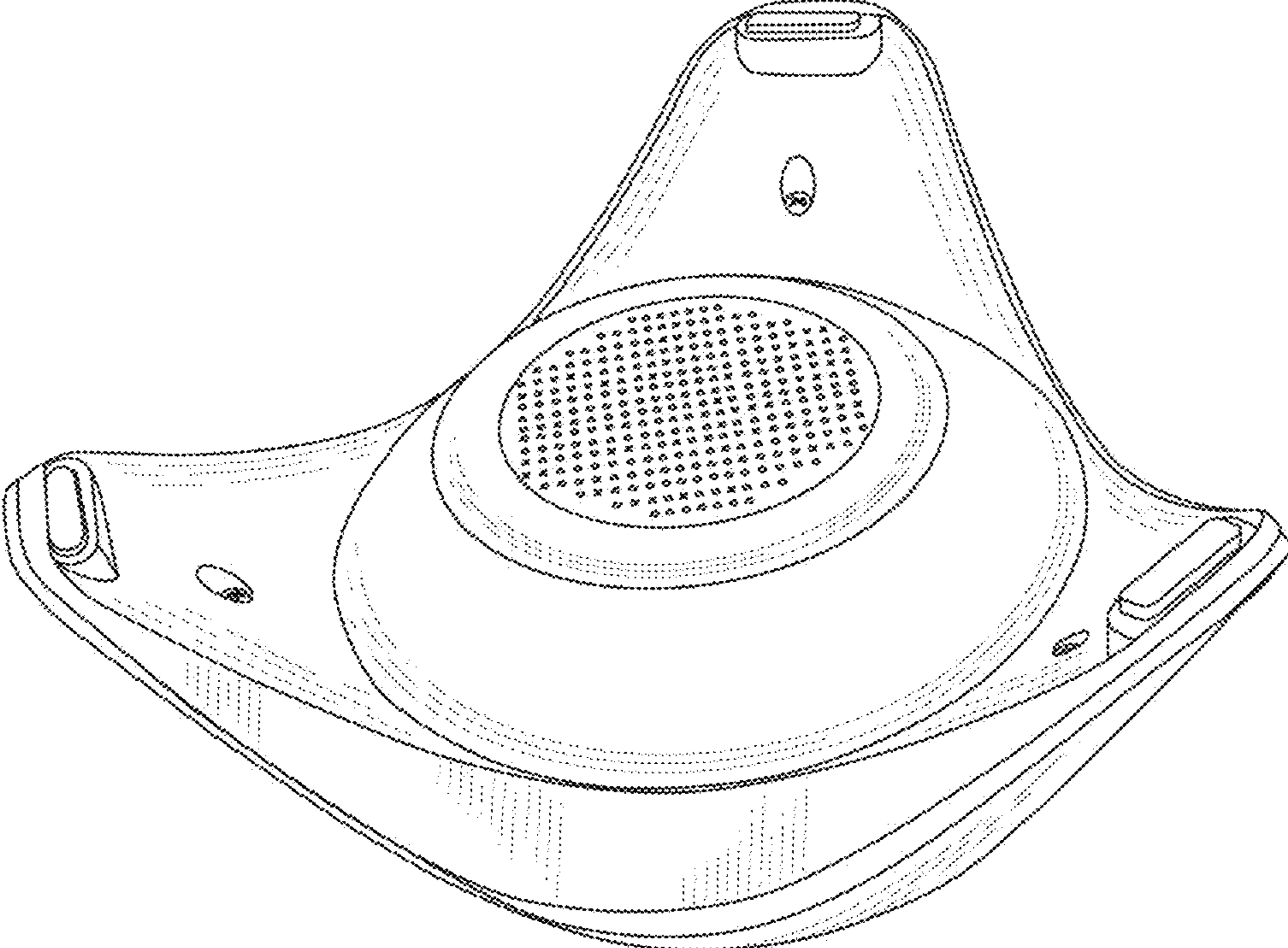


FIG.8