



US00D872054S

(12) **United States Design Patent**
Meredith et al.

(10) **Patent No.:** **US D872,054 S**
(45) **Date of Patent:** **** Jan. 7, 2020**

(54) **SPEAKER**

(71) Applicant: **Bose Corporation**, Framingham, MA
(US)

(72) Inventors: **Timothy J. Meredith**, Boston, MA
(US); **Richard J. Carbone**, Sterling,
MA (US)

(73) Assignee: **Bose Corporation**, Framingham, MA
(US)

(**) Term: **15 Years**

(21) Appl. No.: **29/612,883**

(22) Filed: **Aug. 4, 2017**

(51) **LOC (12) Cl.** **14-01**

(52) **U.S. Cl.**
USPC **D14/214**

(58) **Field of Classification Search**

USPC D14/167, 168, 170–172, 188, 194–198,
D14/204, 207, 209.1, 210–216, 219, 221,
D14/222, 224, 496; 181/143, 144, 147,
181/148, 150, 153, 157, 198, 199;
369/6–12; 381/300–303, 306, 332–334,
381/336, 345, 361–364, 386–388
CPC B60R 11/0217; G06F 1/1688; G10K 9/22;
G10K 11/004; H03F 1/327; H04M 1/03;
H04M 1/035; H04N 5/642; H04N
21/4852; H04S 3/00; H04S 7/30; H04R
1/02; H04R 1/06; H04R 1/021; H04R
1/025; H04R 1/026; H04R 1/028; H04R
1/105; H04R 1/323; H04R 1/403; H04R
1/2803; H04R 1/2834; H04R 5/02; H04R
7/20; H04R 9/06; H04R 9/025; H04R
2201/021; H04R 2400/00; H04R 2400/07;
H04R 2499/11; H04R 2499/13; H04R
2499/15

See application file for complete search history.

(56) **References Cited**

U.S. PATENT DOCUMENTS

3,892,917 A 7/1975 Sotome
3,912,866 A 10/1975 Fox

4,322,578 A 3/1982 Selmin
4,348,549 A 9/1982 Berlant
D278,811 S * 5/1985 White D14/211
(Continued)

FOREIGN PATENT DOCUMENTS

CA 2795676 A1 12/2011
DE 102011016326 A1 10/2012
(Continued)

OTHER PUBLICATIONS

Bose Bass Module 700, Bose.com, [online], [site visited Apr. 27,
2019]. URL: [https://www.bose.com/en_us/products/speakers/speaker_](https://www.bose.com/en_us/products/speakers/speaker_accessories/bose-bass-module-700.html#v=bose_bass_module_700_black)
[accessories/bose-bass-module-700.html#v=bose_bass_module_700_](https://www.bose.com/en_us/products/speakers/speaker_accessories/bose-bass-module-700.html#v=bose_bass_module_700_black)
[black](https://www.bose.com/en_us/products/speakers/speaker_accessories/bose-bass-module-700.html#v=bose_bass_module_700_black) (Year: 2019).*

(Continued)

Primary Examiner — T Chase Nelson
Assistant Examiner — Jonathan J. Han

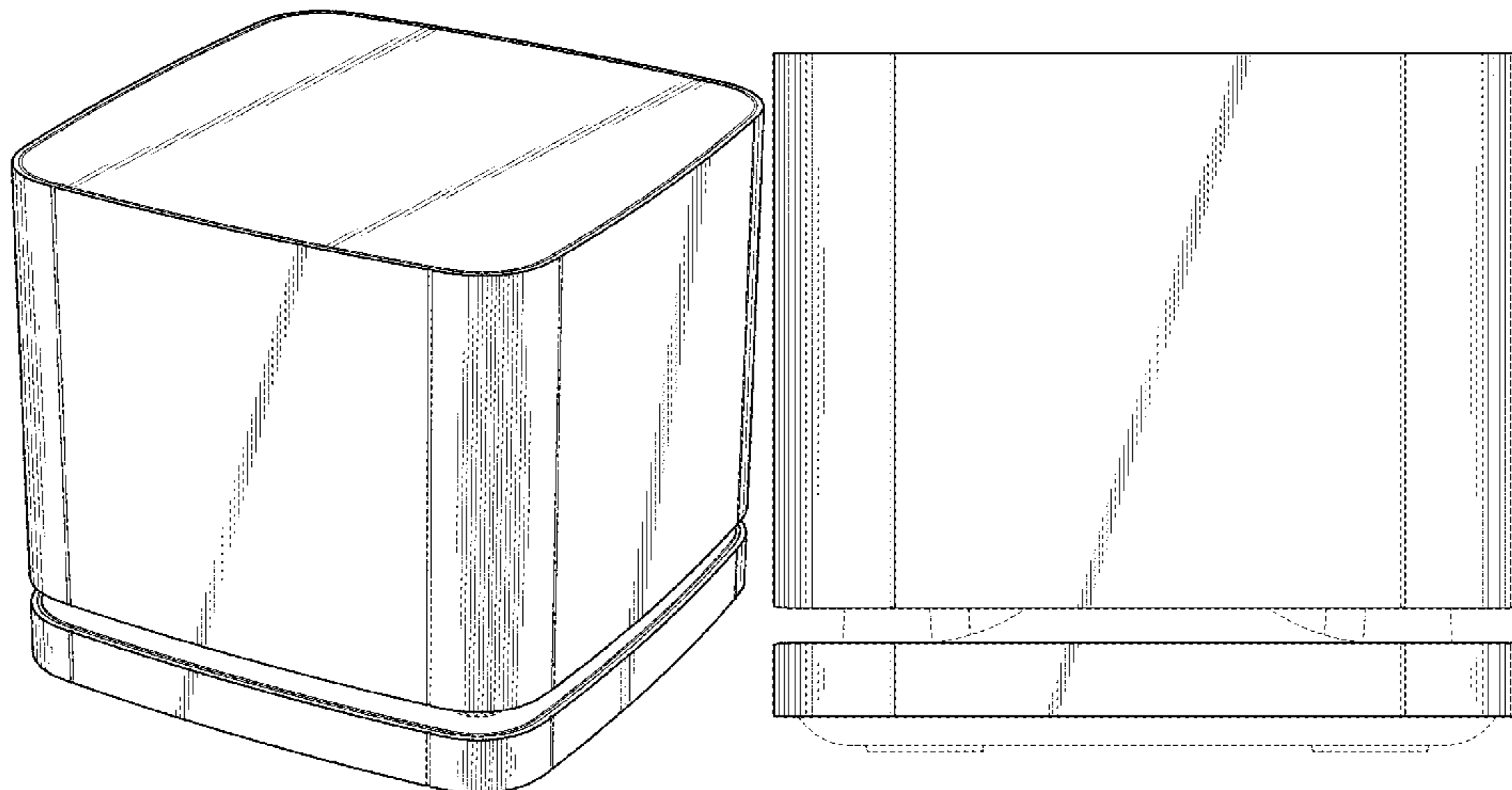
(57) **CLAIM**

The ornamental design for a speaker, substantially as shown
and described.

DESCRIPTION

FIG. 1 is a perspective view of a speaker as seen from the
front, top and side;
FIG. 2 is a front view thereof;
FIG. 3 is a rear view thereof;
FIG. 4 is a side view thereof;
FIG. 5 is an opposite side view thereof;
FIG. 6 is a top view thereof; and,
FIG. 7 is a bottom view thereof.
The dotted line portions of the drawings represent environ-
mental structure only and form no part of the claimed
design.

1 Claim, 7 Drawing Sheets



(56)

References Cited

U.S. PATENT DOCUMENTS

4,620,317 A 10/1986 Anderson
 5,115,882 A 5/1992 Woody
 5,268,538 A 12/1993 Queen
 5,418,336 A 5/1995 Negishi et al.
 D361,071 S * 8/1995 Mark D14/211
 6,009,972 A 1/2000 Choi et al.
 6,026,928 A 2/2000 Maharaj
 6,064,744 A 5/2000 Augustin
 6,257,365 B1 7/2001 Hulsebus, II
 D458,911 S * 6/2002 Kataoka D14/129
 D476,310 S 6/2003 Hisatsune
 D476,311 S 6/2003 Hisatsune
 6,597,797 B1 7/2003 Betts
 D508,042 S 8/2005 Oikawa
 D521,979 S 5/2006 Ishibashi
 D538,264 S * 3/2007 Peersman D14/209.1
 D545,299 S 6/2007 Tsuge
 D581,397 S 11/2008 Masui
 D581,398 S 11/2008 Sugiyama
 7,463,744 B2 12/2008 Parker et al.
 D591,266 S 4/2009 Motoishi
 D600,287 S 9/2009 Oikawa et al.
 D617,775 S * 6/2010 Chae D14/215
 D629,827 S * 12/2010 Morenstein D16/221
 D646,665 S 10/2011 Iijima
 8,130,994 B2 3/2012 Button et al.
 8,181,736 B2 5/2012 Sterling et al.
 D664,122 S * 7/2012 Cho D14/215
 8,290,195 B2 10/2012 Chick et al.
 8,418,802 B2 4/2013 Sterling et al.
 8,467,557 B2 6/2013 Miller et al.
 D690,280 S * 9/2013 Schul D14/168
 D691,115 S * 10/2013 Silvera D14/212
 D695,709 S * 12/2013 Szymanski D14/214
 8,672,088 B2 3/2014 Sterling et al.
 D707,202 S * 6/2014 McManigal D14/214
 8,750,540 B2 6/2014 Tan
 D711,463 S * 8/2014 Costabeber D14/300
 D722,053 S * 2/2015 Wang D14/358
 D724,563 S * 3/2015 Kim D14/214
 D727,294 S * 4/2015 Gan D14/214
 D736,186 S * 8/2015 Kauppila D14/225
 D747,697 S * 1/2016 Wildner D14/209.1
 9,282,398 B2 3/2016 Monroe
 D754,101 S * 4/2016 McManigal D14/214
 D754,102 S * 4/2016 Sun D14/214
 D758,345 S * 6/2016 Fujioka D14/214
 D760,691 S * 7/2016 Paslawski D14/214
 D763,818 S * 8/2016 Yang D14/204
 D772,221 S * 11/2016 Kacin D14/308
 D772,222 S * 11/2016 Kacin D14/308
 D772,224 S * 11/2016 Kacin D14/308
 D785,068 S * 4/2017 Patsis D16/200
 D785,365 S * 5/2017 Newlin D6/526
 D789,907 S * 6/2017 Summerson D14/204
 D800,697 S * 10/2017 Fischer D14/214
 D816,062 S * 4/2018 Park D14/214
 D830,989 S * 10/2018 McManigal D14/204
 D831,186 S * 10/2018 Tamras D23/366
 D842,265 S * 3/2019 Becker D14/204
 2002/0011379 A1 1/2002 Taylor
 2003/0141142 A1 7/2003 Christiansen
 2008/0192972 A1 8/2008 Lewallen
 2009/0245561 A1 10/2009 Litovsky et al.
 2009/0310808 A1 12/2009 Button et al.

2011/0135121 A1 6/2011 Harwood et al.
 2012/0076328 A1 3/2012 Harwood
 2012/0201403 A1 8/2012 Tan
 2013/0213628 A1 8/2013 Litovsky et al.
 2013/0228393 A1 9/2013 Sterling et al.
 2013/0308315 A1 11/2013 Capitani et al.
 2014/0321686 A1 10/2014 Wegener
 2016/0227315 A1 8/2016 Kim et al.
 2016/0337748 A1 11/2016 Goksel et al.
 2017/0006376 A1 1/2017 Tan
 2017/0094403 A1 3/2017 Tipparaju et al.

FOREIGN PATENT DOCUMENTS

EP 0518668 A2 12/1992
 JP S61219289 A 9/1986
 JP S61264896 A 11/1986
 JP S61264897 A 11/1986
 JP 2009141657 A 6/2009
 JP 2010093767 A 4/2010
 WO 2011053248 A1 5/2011
 WO 2015014203 A1 2/2015

OTHER PUBLICATIONS

Bose Bass Module 500, Bose.com, [online], [site visited Apr. 27, 2019]. URL: https://www.bose.com/en_us/products/speakers/speaker_accessories/bose-bass-module-500.html#v=bose_bass_module_500_black (Year: 2019).*

Bose Bass Module 500, Amazon.com, Date first listed on Amazon: Sep. 20, 2018, [online], [site visited Apr. 27, 2019]. URL: <https://www.amazon.com/Bose-796145-1100-Bass-Module-500/dp/B07F3BBXJ6> (Year: 2018).*

Mackie Thump 18S 600W 18" Subwoofer, Sweetwater.com, [online], [site visited Apr. 27, 2019]. URL: <https://www.sweetwater.com/store/detail/Thump18S--mackie-thump-18s-600w-18-inch-powered-subwoofer> (Year: 2019).*

McRitchie, Don, "Aquarius: A Noble Experiment", Audioheritage.com, 2001, accesses Mar. 5, 2015, 9 pages.

International Search Report and Written Opinion dated Apr. 7, 2016 for International application No.: PCT/US2016/015521.

International Search Report and Written Opinion dated Apr. 6, 2017 for International application No.: PCT/US2016/044682.

Invitation to Pay Additional Fees dated Apr. 5, 2017 for International application No.: PCT/US2016/044680.

International Search Report and Written Opinion dated Jun. 28, 2017 for International application No.: PCT/US2016/044680.

Visaton—Der Lautsprecherspezialist: "Kegel für Rundstrahler", Apr. 8, 2012, pp. 1-8, XP055383099, retrieved from the Internet URL: <http://www.visaton.de/vb/showthread.php?t=23544&highlight=f%C3%BC11en> [retrieved on Jun. 20, 2017], p. 2—"Henrik" dialog input, p. 3—"walwal" 1st dialog input, p. 5—"walwal" dialog input.

International Search Report and Written Opinion dated Jun. 21, 2018 for International application No.: PCT/US2018/025477; Ref. No.: WS-16-029-WO.

First Office Action for Japanese Patent Application No.: 2017540127, dated Jul. 2, 2018; Ref No.: H-14-180-JP.

First Office Action for European Patent Application No.: 16 704 759.6-1207, dated Jul. 16, 2018; Ref No.: H-14-180-EP.

International Search Report and Written Opinion dated Dec. 19, 2018 for International application No.: PCT/US2018/053980; Ref. No.: AH-17-003-WO.

* cited by examiner

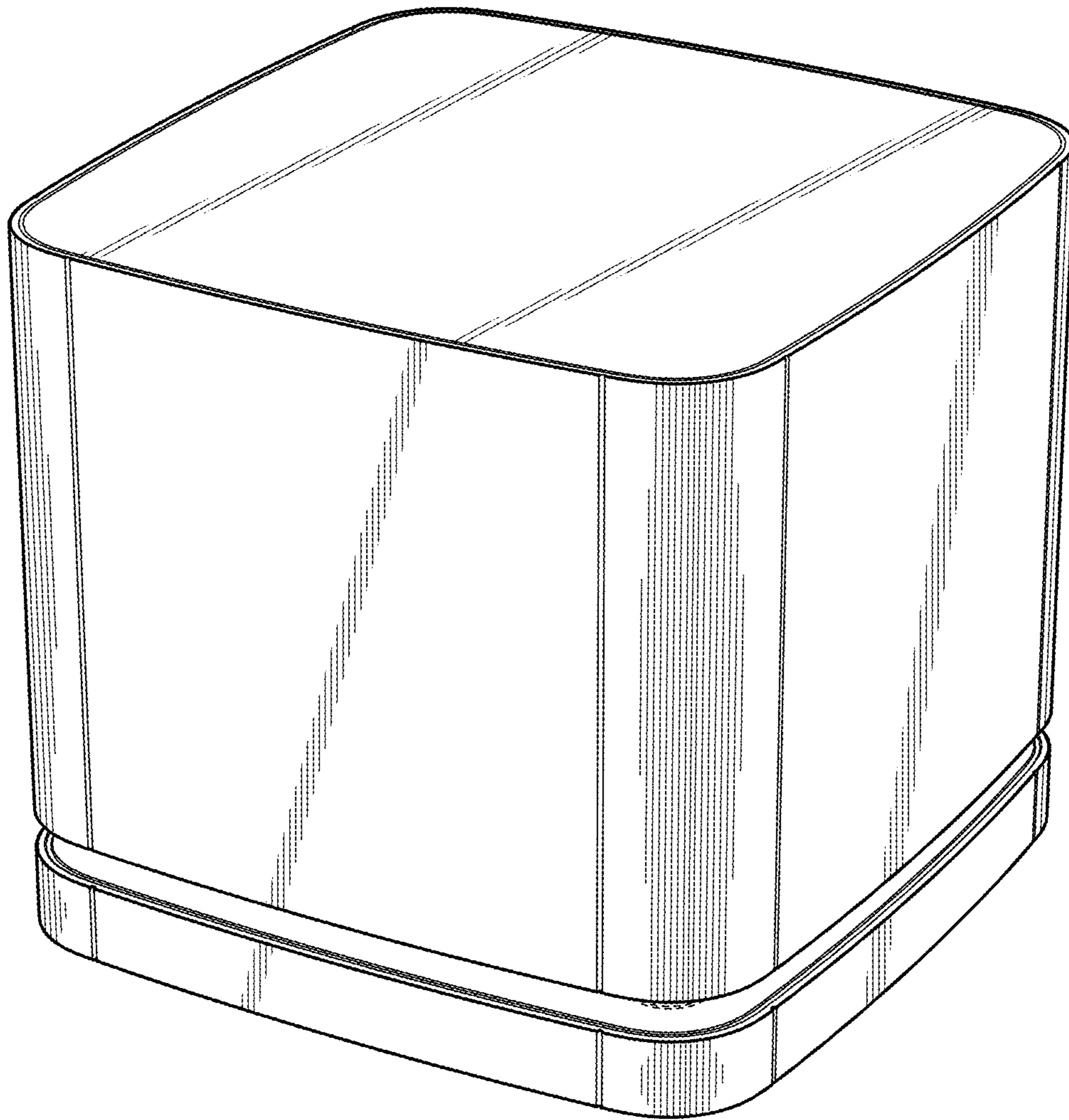


FIG. 1

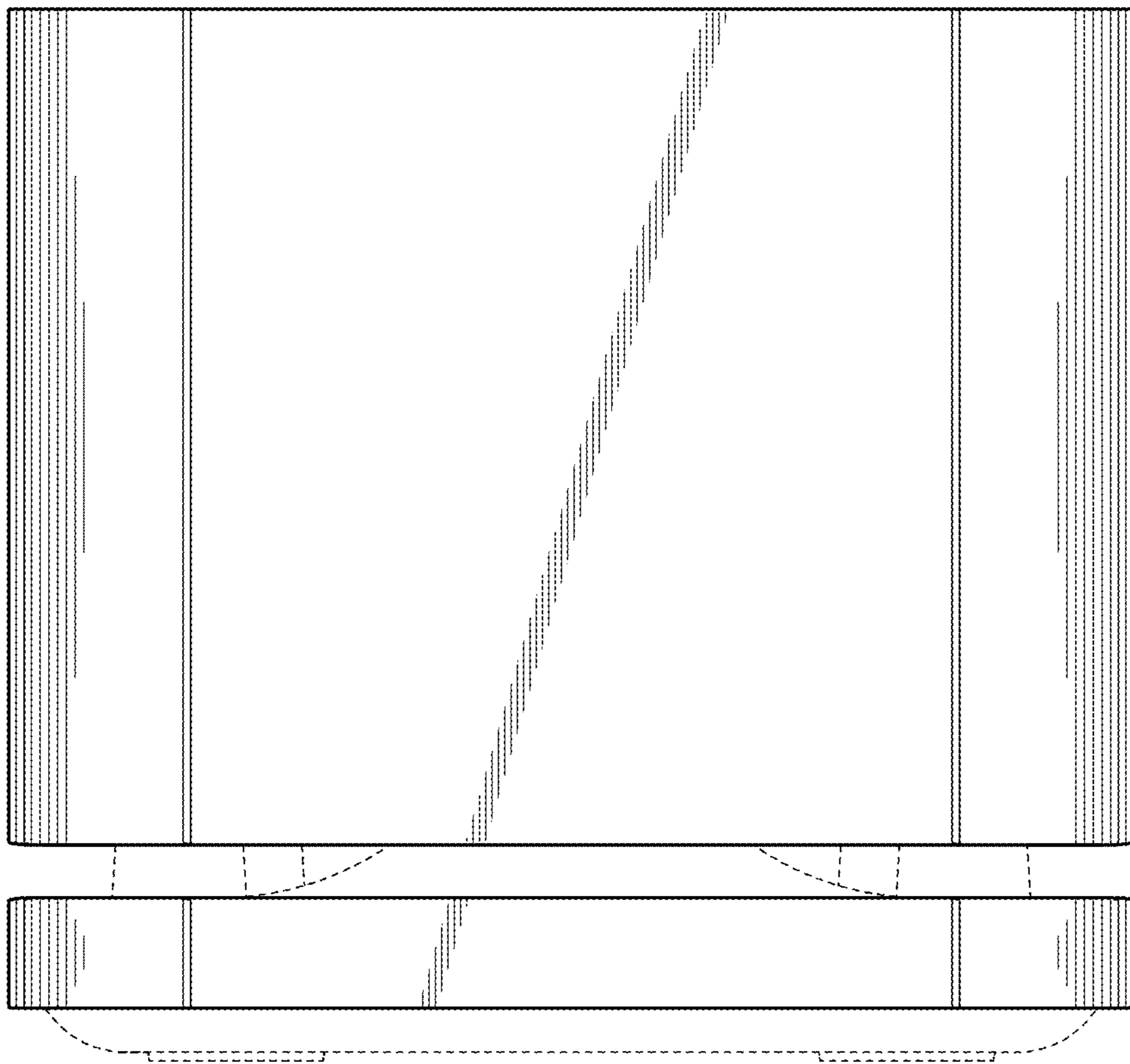


FIG. 2

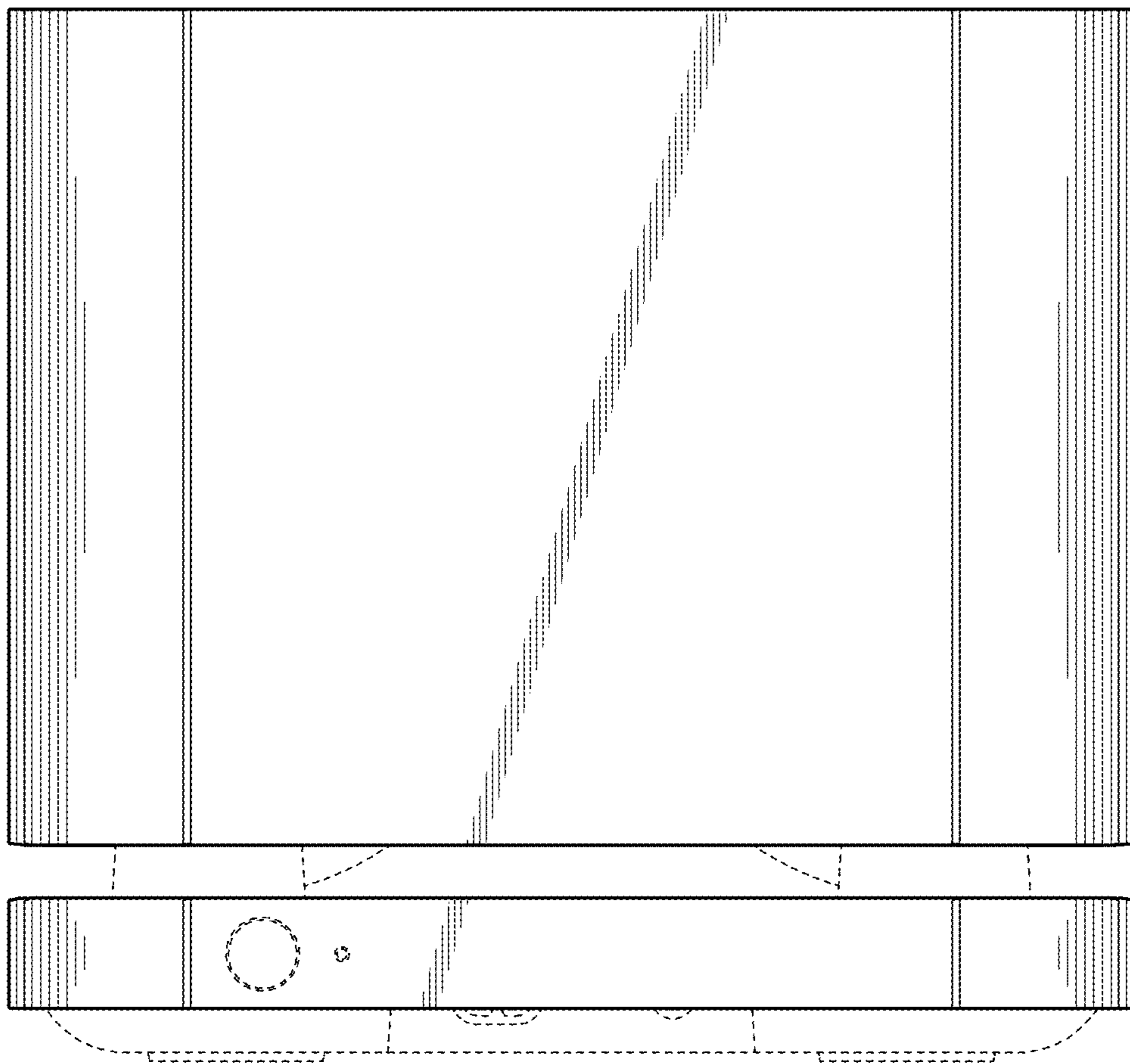


FIG. 3

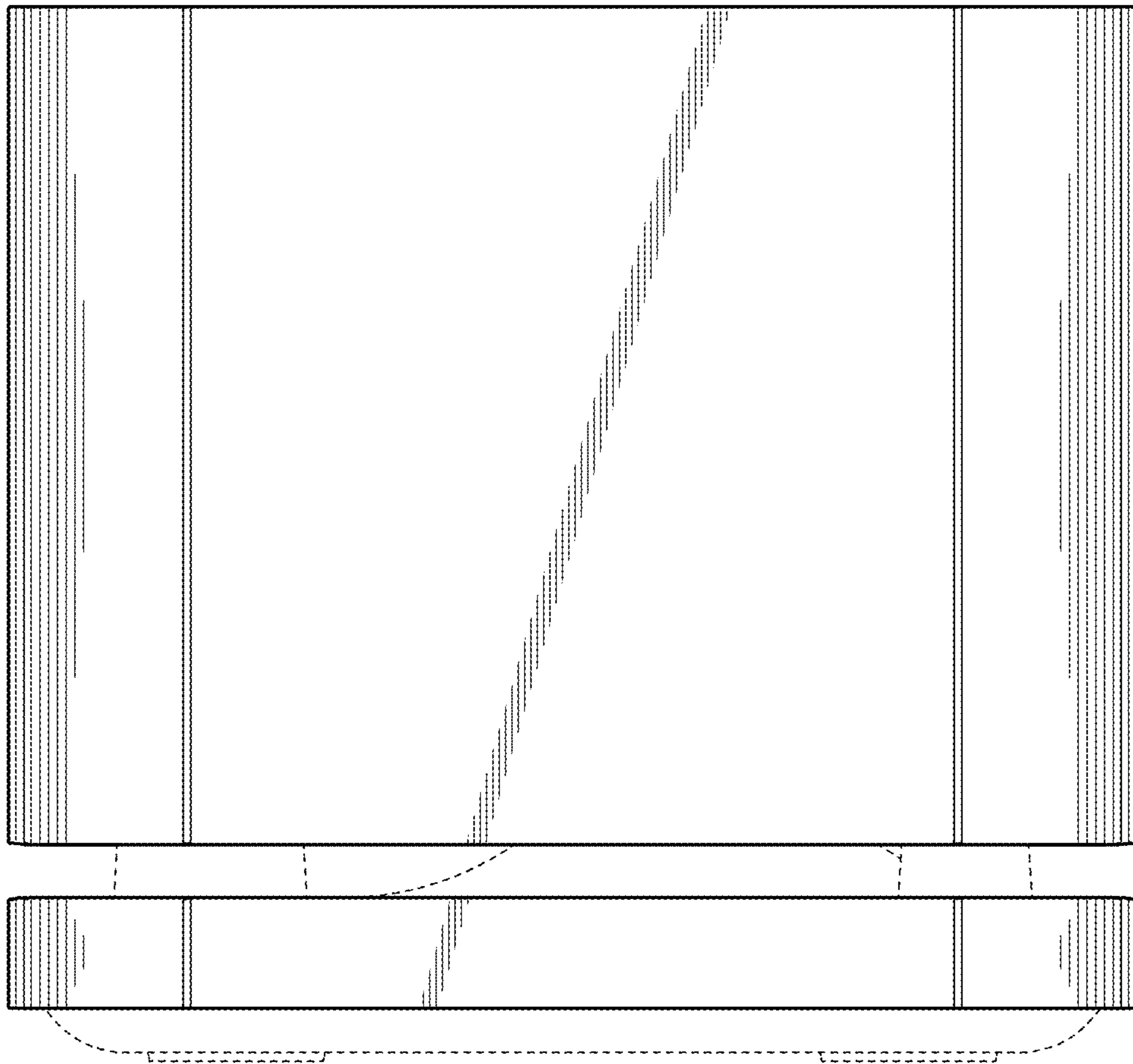


FIG. 4

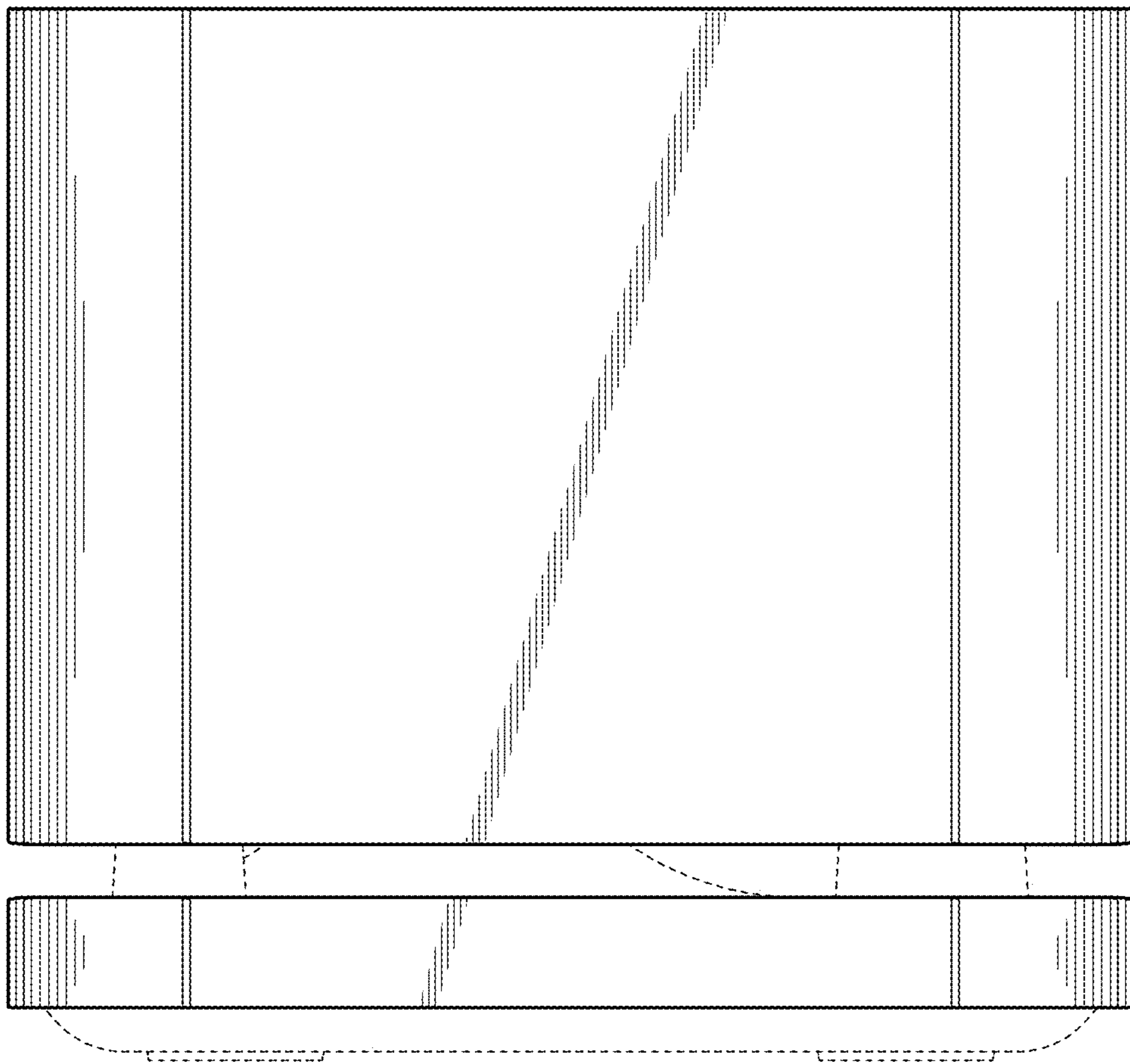


FIG. 5

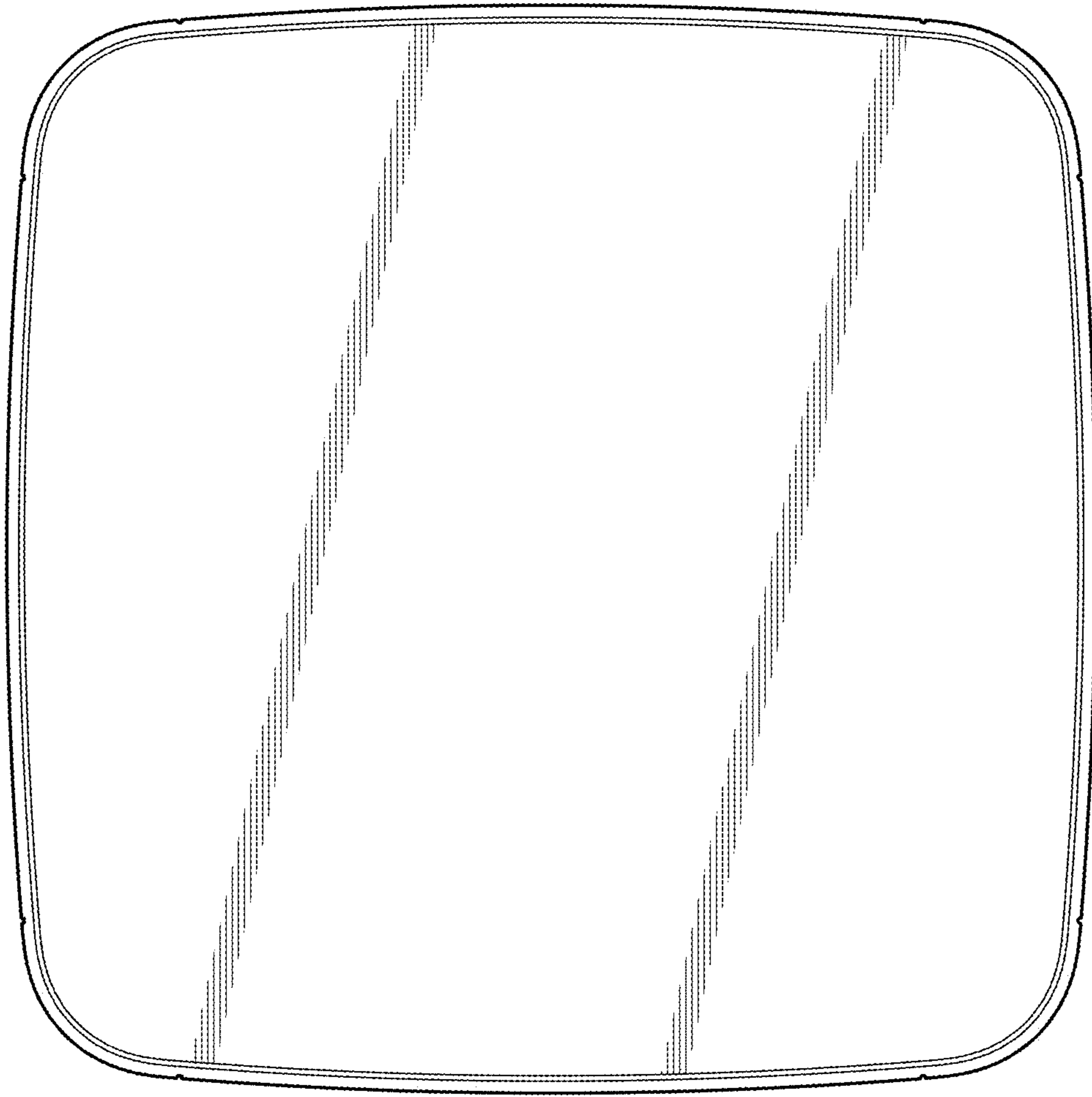


FIG. 6

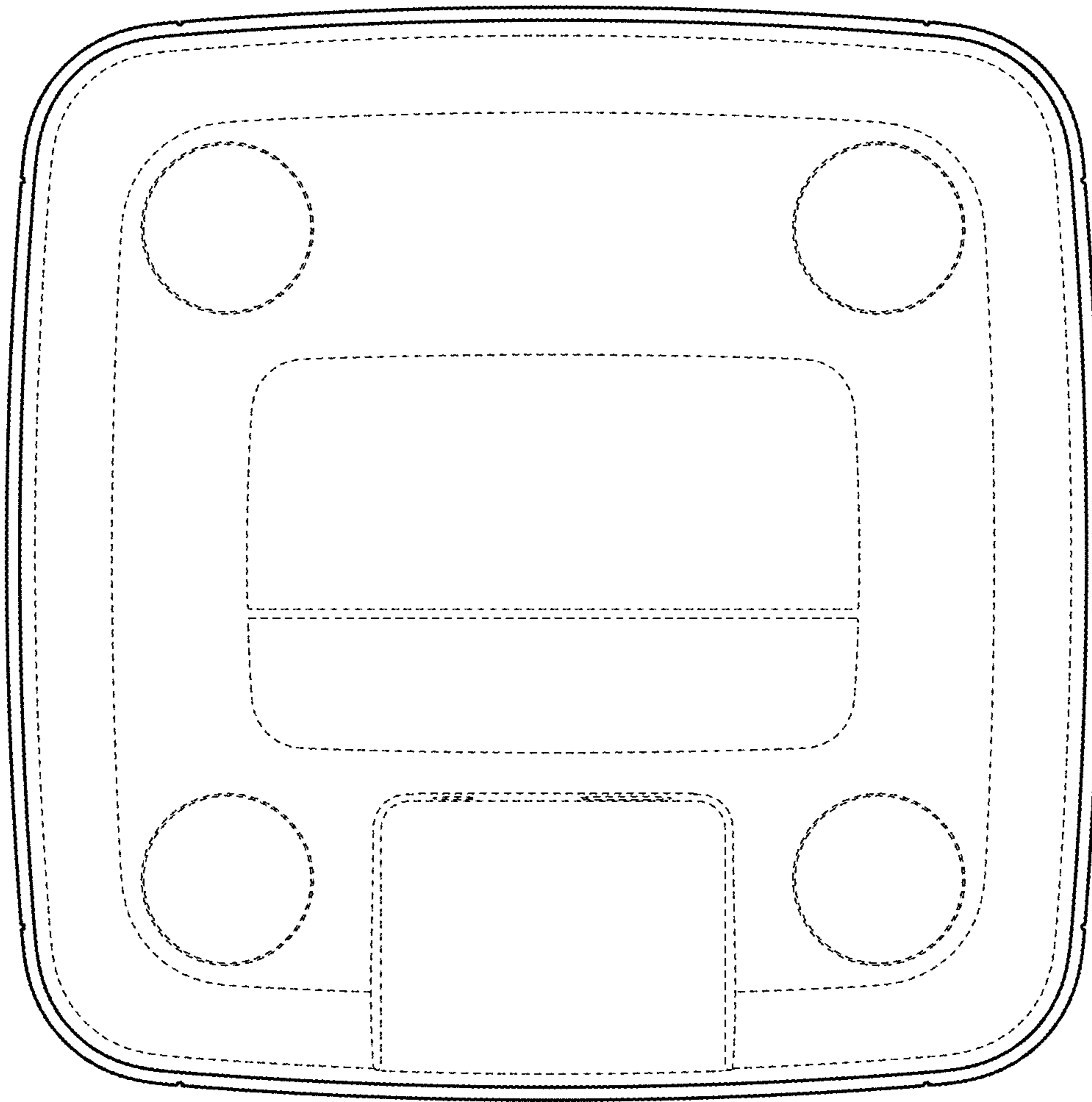


FIG. 7