



US00D872053S

(12) **United States Design Patent**
Lee et al.

(10) **Patent No.: US D872,053 S**
(45) **Date of Patent: ** Jan. 7, 2020**

(54) **AUDIO PLAYER**
(71) Applicant: **LG ELECTRONICS INC.**, Seoul (KR)
(72) Inventors: **Sangho Lee**, Seoul (KR); **Seongahn Jeon**, Seoul (KR); **Yuonui Chong**, Seoul (KR); **Hwayun Choi**, Seoul (KR)

D185,963 S * 8/1959 Eames D14/211
D187,925 S * 5/1960 Shaver et al. D14/211
D189,188 S * 11/1960 Hutton, Jr. D14/211
3,394,773 A * 7/1968 Kowalik H04R 1/2803
181/145

(Continued)

(73) Assignee: **LG ELECTRONICS INC.**, Seoul (KR)

(**) Term: **15 Years**

(21) Appl. No.: **35/505,353**

(22) Filed: **Jan. 26, 2018**

(80) **Hague Agreement Data**

Int. Filing Date: **Jan. 26, 2018**
Int. Reg. No.: **DM/101325**
Int. Reg. Date: **Jan. 26, 2018**
Int. Reg. Pub. Date: **Jul. 27, 2018**

(30) **Foreign Application Priority Data**

Jul. 26, 2017 (KR) 30-2017-0034535

(51) **LOC (12) Cl.** **14-01**

(52) **U.S. Cl.**
USPC **D14/211**

(58) **Field of Classification Search**

USPC D14/167, 168, 170–172, 188, 194–196,
D14/204, 208, 210–216, 209.1, 220–224,
D14/217, 496; D12/213, 223, 400;
D8/397, 394, 382, 349, 387, 388, 391,
D8/393, 399; D2/906, 946, 962, 963,
D2/966, 968; D6/332, 657
CPC . H04R 1/00; H04R 1/02; H04R 1/026; H04R
1/16; H04R 2400/00
See application file for complete search history.

(56) **References Cited**

U.S. PATENT DOCUMENTS

D177,159 S * 3/1956 Van koert D6/671.1
D182,832 S * 5/1958 Lubberts et al. D6/657

OTHER PUBLICATIONS

Bozak 302A speakers circa 1958, announced 2013 [online], retrieved May 13, 2019]. Available from Internet, URL: <https://midmodmen.com/2013/04/17/speakers-of-the-house-bozak-302a-speakers-circa-1958/> (Year: 2013).*

(Continued)

Primary Examiner — T Chase Nelson
Assistant Examiner — Dana K Weiland
(74) *Attorney, Agent, or Firm* — Birch, Stewart, Kolasch & Birch, LLP

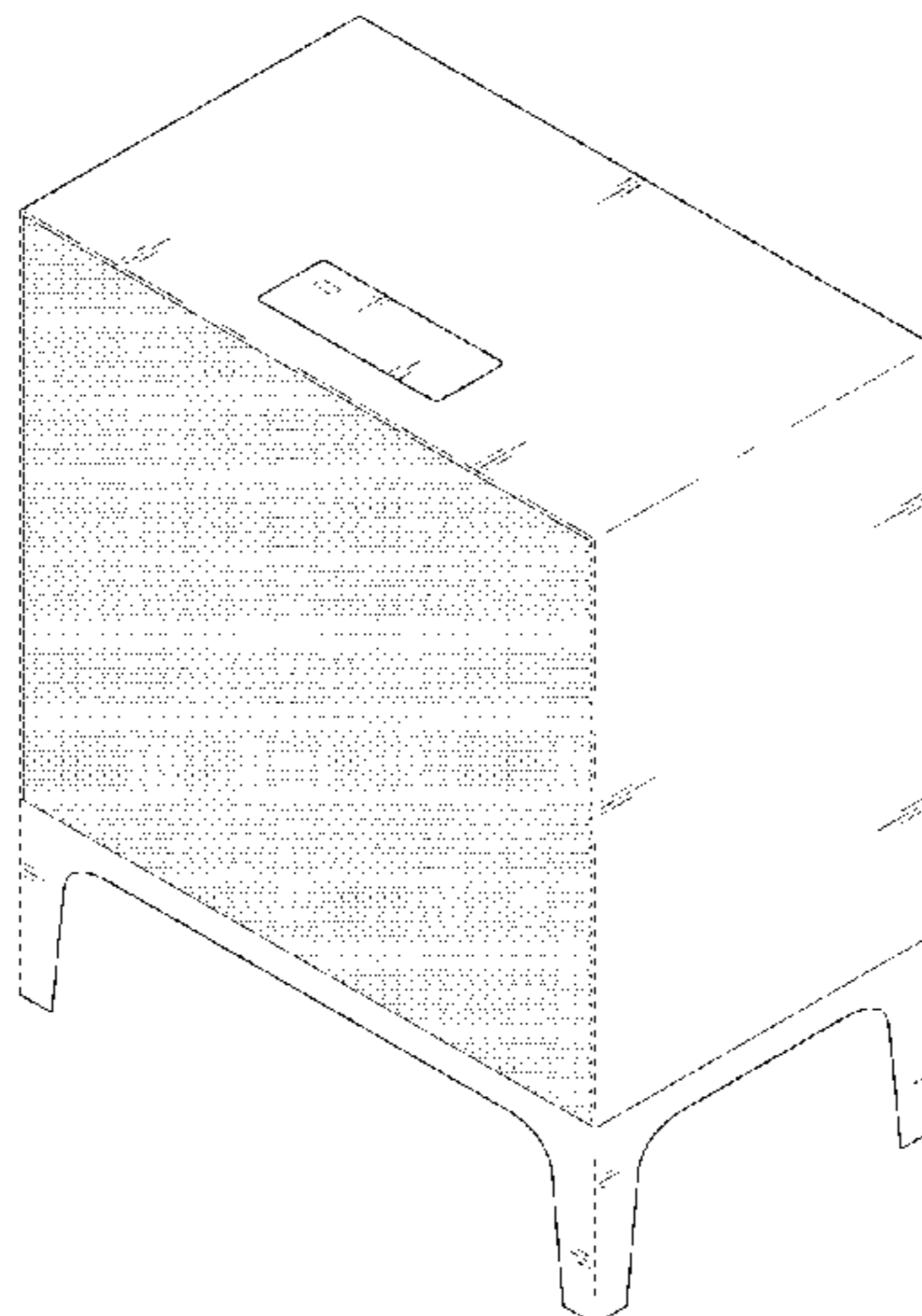
(57) **CLAIM**

The ornamental design for an audio player, as shown and described.

DESCRIPTION

1. Audio player
This design is for a furniture-type audio player with a touch control on the top and a light on the bottom.
1.1 is a front perspective view of an audio player showing the new design;
1.2 is a front view thereof;
1.3 is a back view thereof;
1.4 is a left view thereof where the right view is a mirror image;
1.5 is a top view thereof; and
1.6 is a bottom view thereof.
The broken lines depict portions of the audio player that form no part of the claimed design.

1 Claim, 6 Drawing Sheets



(56)

References Cited

U.S. PATENT DOCUMENTS

3,469,031 A * 9/1969 Setchell H04N 5/64
 348/836
 3,512,606 A * 5/1970 Anastin H04R 1/26
 181/144
 D446,119 S * 8/2001 Sabo D9/446
 D478,566 S * 8/2003 Solland D14/214
 D526,640 S * 8/2006 Chin D14/188
 D529,019 S * 9/2006 Lim D14/172
 D560,925 S * 2/2008 Lewis D6/657
 D563,117 S * 3/2008 Mayer D23/286
 D575,964 S * 9/2008 Liu D6/697
 D618,935 S * 7/2010 Metcalf D6/349
 D674,780 S * 1/2013 Davies D14/215
 D717,082 S * 11/2014 Dworman D6/657
 D717,554 S * 11/2014 Kapka D6/349
 D728,761 S * 5/2015 Mayer D23/286
 9,143,861 B2 * 9/2015 Schul H04R 5/00

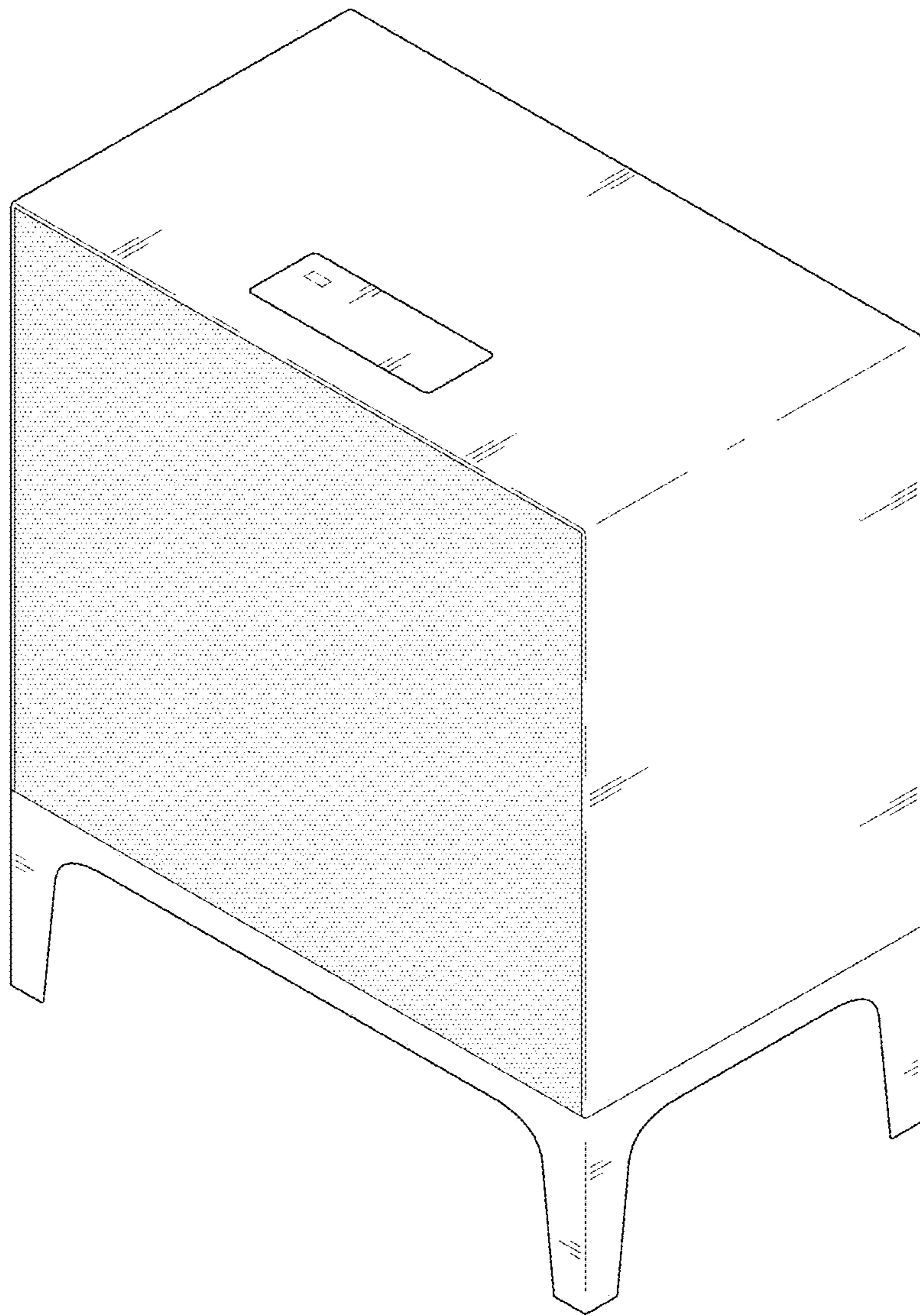
D776,085 S * 1/2017 Tabarly D14/207
 D800,697 S * 10/2017 Fischer D14/214
 D805,499 S * 12/2017 Crolla D14/214
 D815,466 S * 4/2018 Hannoosh D6/671.1
 D815,618 S * 4/2018 Choi D14/214
 D824,868 S * 8/2018 Chong D14/126
 D827,619 S * 9/2018 Johnson D14/229
 D842,274 S * 3/2019 Kiong D14/215
 D848,974 S * 5/2019 Kitazawa D14/215

OTHER PUBLICATIONS

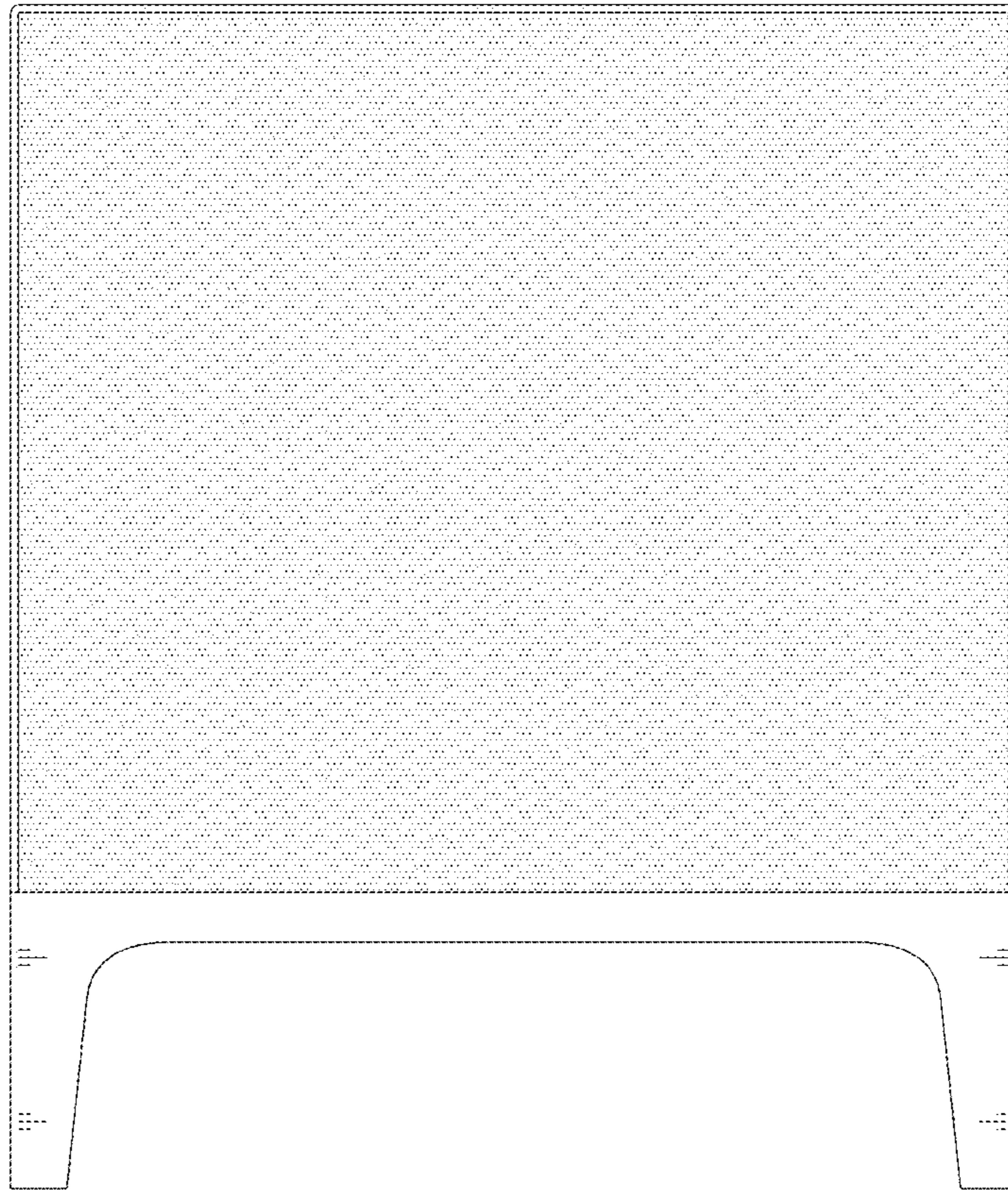
Stunning 60's Electrohome stereo turntable, announced 2013 [online],
 retrieved May 13, 2019]. Available from Internet, URL: <https://www.pinterest.com/pin/391883605047750269/?Ip=true> (Year: 2013).*
 1963 Zenith MK2670 Stereo, announced 2014 [online], retrieved
 May 13, 2019]. Available from Internet, URL: https://www.nutsvolts.com/magazine/article/october2014_koebel (Year: 2014).*

* cited by examiner

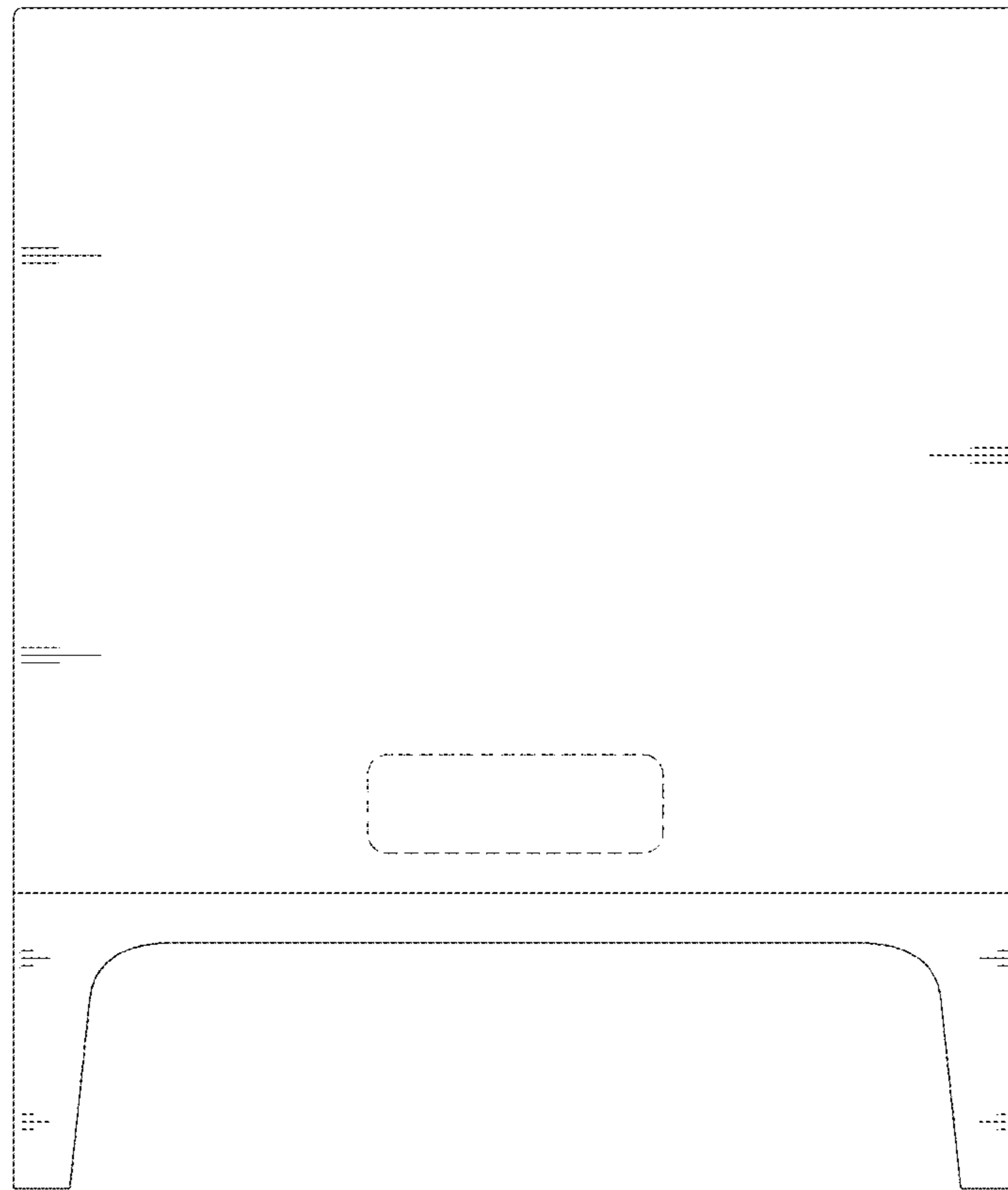
1.1



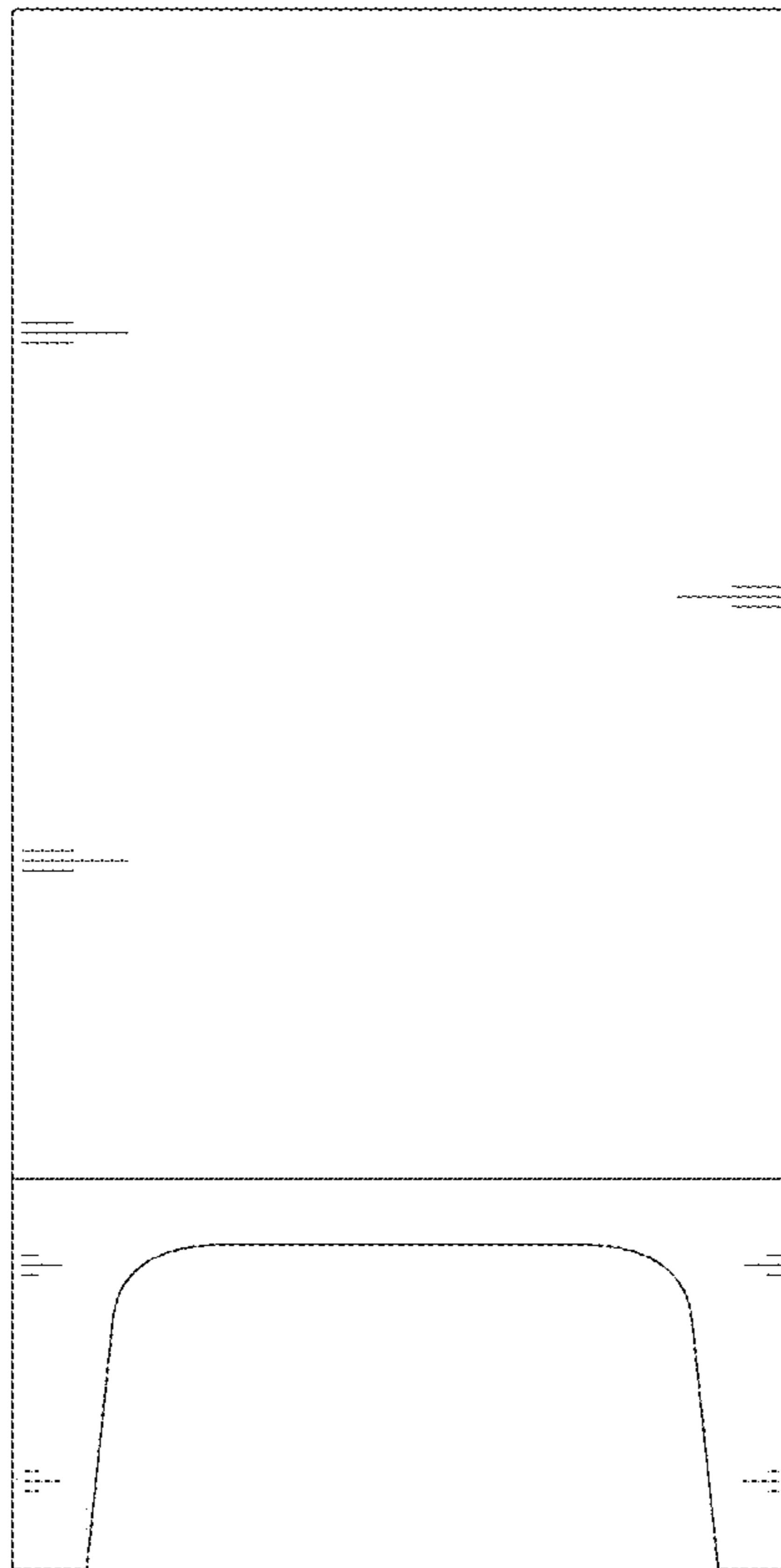
1.2



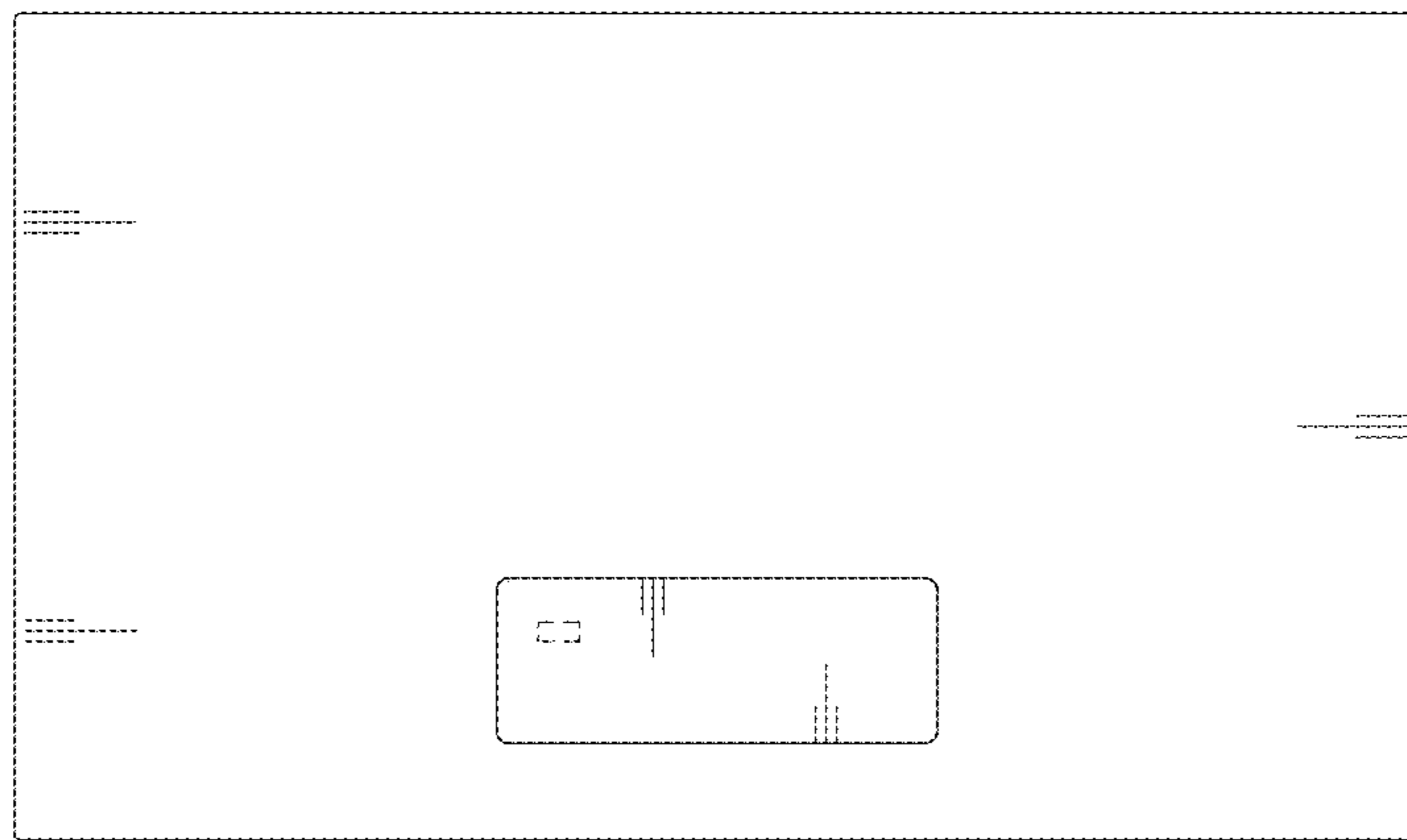
1.3



1.4



1.5



1.6

