



US00D872050S

(12) **United States Design Patent**  
**Liu**

(10) **Patent No.:** **US D872,050 S**  
(45) **Date of Patent:** **\*\* Jan. 7, 2020**

- (54) **GAMING HEADSET**
- (71) Applicant: **Hanbing Liu**, Dongguan (CN)
- (72) Inventor: **Hanbing Liu**, Dongguan (CN)
- (\*\*) Term: **15 Years**
- (21) Appl. No.: **29/633,550**
- (22) Filed: **Jan. 15, 2018**
- (51) **LOC (12) Cl.** ..... **14-01**
- (52) **U.S. Cl.**  
USPC ..... **D14/206; D14/226**
- (58) **Field of Classification Search**  
USPC ..... D14/206, 205, 372, 188, 192; D29/112;  
2/209; 181/129, 130, 135; 379/430, 431;  
381/380, 381, 374; 345/7, 8; 455/90.3,  
455/575.1, 569.1  
CPC .... H04R 1/1066; H04R 1/1016; H04R 25/00;  
H04R 25/02; H04R 1/10; H04R 5/033;  
H04R 5/0335  
See application file for complete search history.

(56) **References Cited**

**U.S. PATENT DOCUMENTS**

- D229,833 S \* 1/1974 Becker ..... D14/205
- D233,444 S \* 10/1974 Christian ..... D14/206
- D234,957 S \* 4/1975 Huntington ..... D14/225
- D322,071 S \* 12/1991 Bergin ..... D14/205
- 5,185,807 A \* 2/1993 Bergin ..... H04R 1/1066  
181/128
- 5,210,792 A \* 5/1993 Kajihara ..... H04M 1/05  
379/430
- 5,384,857 A \* 1/1995 Nordin ..... A61F 11/14  
381/374
- 5,406,037 A \* 4/1995 Nageno ..... H04R 5/0335  
181/129
- D377,174 S \* 1/1997 Runquist ..... D14/206
- D379,990 S \* 6/1997 Bungardt ..... D14/228
- 5,793,878 A \* 8/1998 Chang ..... H04R 5/0335  
381/370

- 6,006,115 A \* 12/1999 Wingate ..... H04M 1/6033  
379/110.01
- D432,526 S \* 10/2000 Claesson ..... D14/228
- D458,597 S \* 6/2002 Davies ..... D14/206
- D462,946 S \* 9/2002 Beraut ..... D14/228
- D476,645 S \* 7/2003 Padala ..... D14/223
- 6,952,481 B2 \* 10/2005 Larsen ..... H04M 1/05  
379/430
- D512,708 S \* 12/2005 Harris, Jr. .... D14/205
- 7,106,873 B1 \* 9/2006 Harrison ..... H04R 25/456  
381/330
- 7,172,052 B2 \* 2/2007 Lenhard-Backhaus .....  
H04R 1/1066  
181/129
- D541,255 S \* 4/2007 Taylor ..... D14/205
- 7,292,704 B2 \* 11/2007 Lederer ..... G01R 33/283  
381/380
- D585,871 S \* 2/2009 Lee ..... D14/205

(Continued)

**FOREIGN PATENT DOCUMENTS**

EM 003825181-0001 \* 3/2017

*Primary Examiner* — Paula Allen Greene

(74) *Attorney, Agent, or Firm* — Gokalp Bayramoglu

(57) **CLAIM**

The ornamental design for a gaming headset, as shown and described.

**DESCRIPTION**

FIG. 1 is a perspective view of the gaming headset showing my new design;

FIG. 2 is a front view thereof;

FIG. 3 is a back view thereof;

FIG. 4 is a left side view thereof;

FIG. 5 is a right side view thereof;

FIG. 6 is a top view thereof; and,

FIG. 7 is a bottom view thereof.

The broken lines depict environment that forms no part of the claimed design.

**1 Claim, 7 Drawing Sheets**



(56)

References Cited

U.S. PATENT DOCUMENTS

D587,684	S *	3/2009	Ham	.....	D14/205
D592,639	S *	5/2009	Kuh	.....	D14/205
D594,847	S *	6/2009	Suzuki	.....	D14/205
D602,908	S *	10/2009	Ham	.....	D14/206
7,766,120	B2 *	8/2010	Hansson	.....	A61F 11/14 181/129
D637,579	S *	5/2011	Hamaura	.....	D14/205
D651,764	S *	1/2012	Gresko	.....	A61F 11/14 D29/112
8,098,872	B2 *	1/2012	Chang	.....	H04R 1/1075 381/370
D662,080	S *	6/2012	Carr	.....	D14/205
D673,524	S *	1/2013	Brennwald	.....	D14/206
D706,244	S *	6/2014	Goransson	.....	D14/225
D716,762	S *	11/2014	Greve	.....	D14/206
D721,052	S *	1/2015	Carr	.....	D14/205
D727,286	S *	4/2015	Galler	.....	D14/205
D729,196	S *	5/2015	Liu	.....	D14/205
D734,297	S *	7/2015	Sasaki	.....	D14/205
D740,256	S *	10/2015	Carr	.....	D14/206
D746,790	S *	1/2016	Strasberg	.....	D14/205
D752,017	S *	3/2016	Daniel	.....	D14/205
D778,258	S *	2/2017	Hsu	.....	D14/205
D782,999	S *	4/2017	Spio	.....	D14/206
9,706,281	B2 *	7/2017	Hernandez Vazquez	.....	H04R 1/08
D812,588	S *	3/2018	Levine	.....	D14/205
D832,813	S *	11/2018	Levine	.....	D14/205
D836,084	S *	12/2018	Xie	.....	D14/205
D838,687	S *	1/2019	Wu	.....	D14/205
D840,370	S *	2/2019	Kelly	.....	D14/205
D840,373	S *	2/2019	Lee	.....	D14/206
2011/0206216	A1 *	8/2011	Brunner	.....	H04R 1/1066 381/74

\* cited by examiner

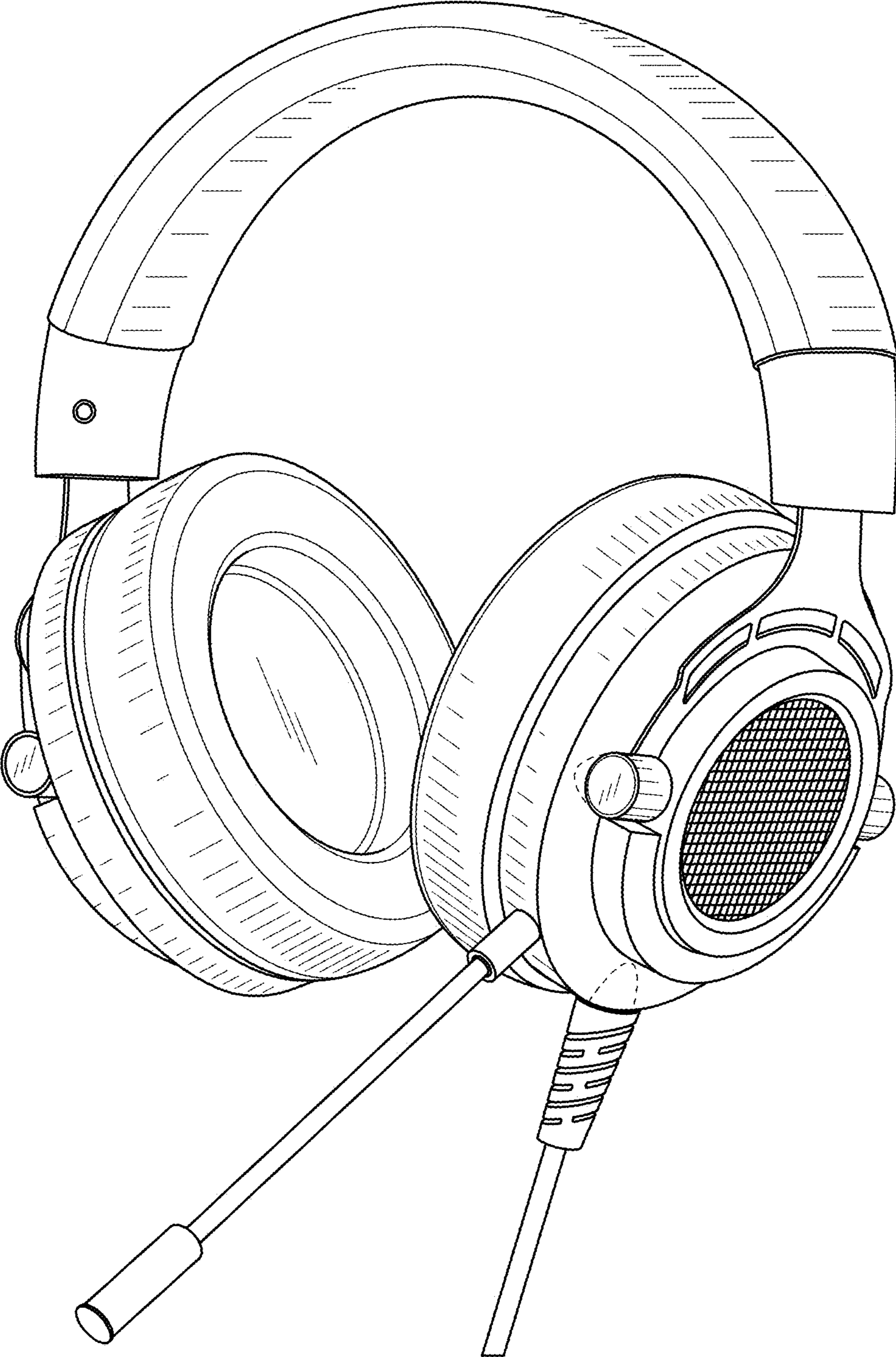


FIG. 1

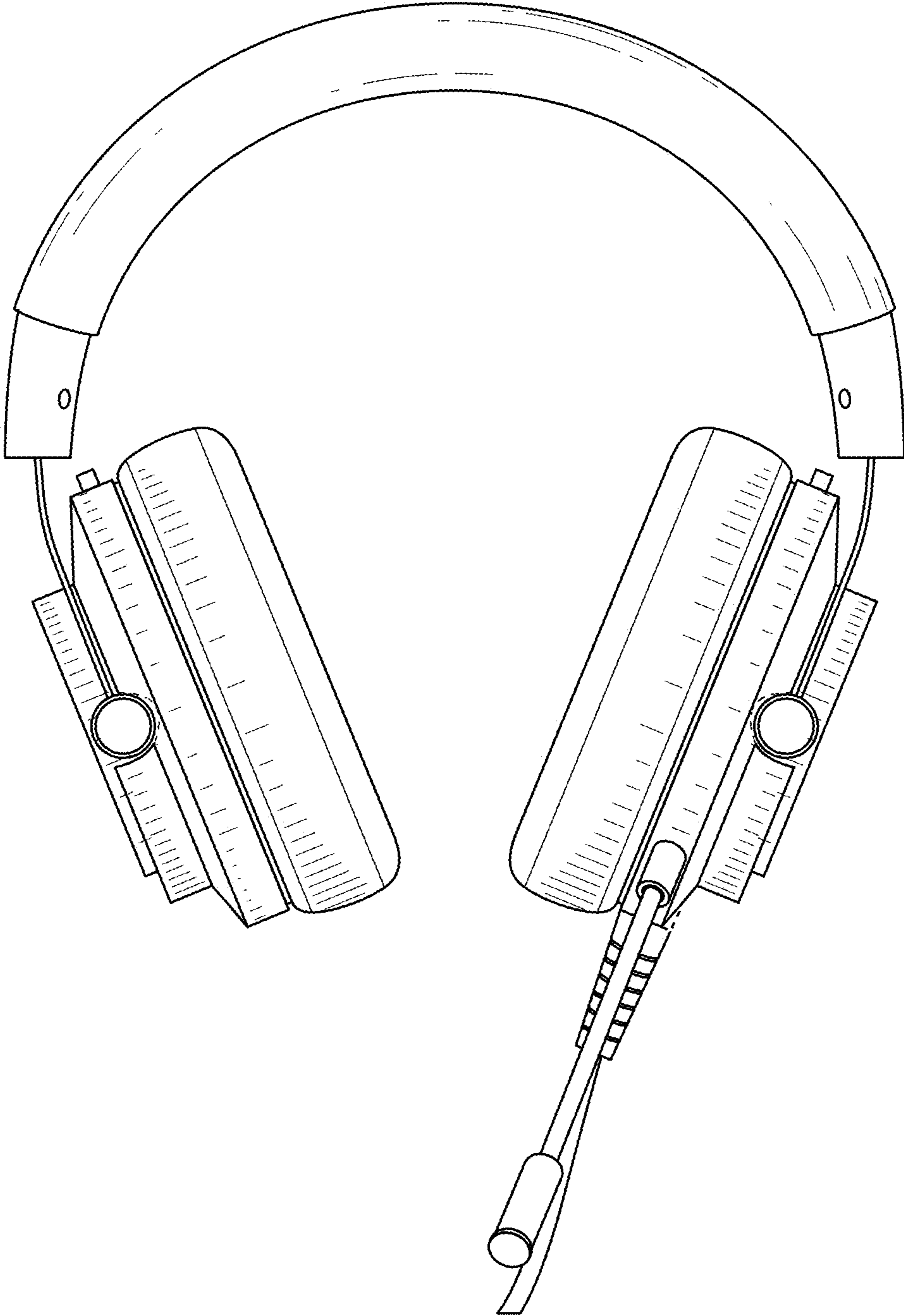


FIG. 2

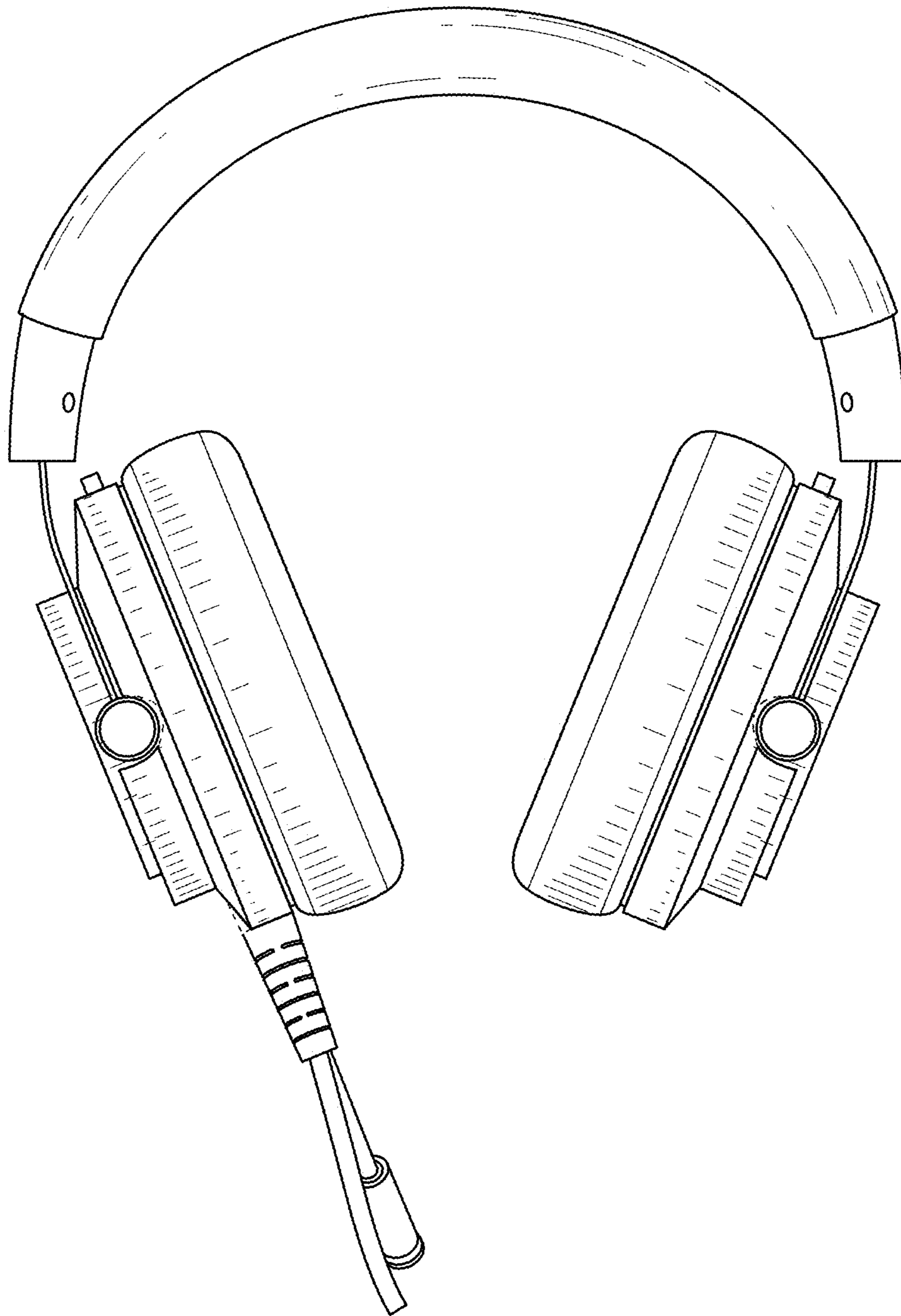


FIG. 3

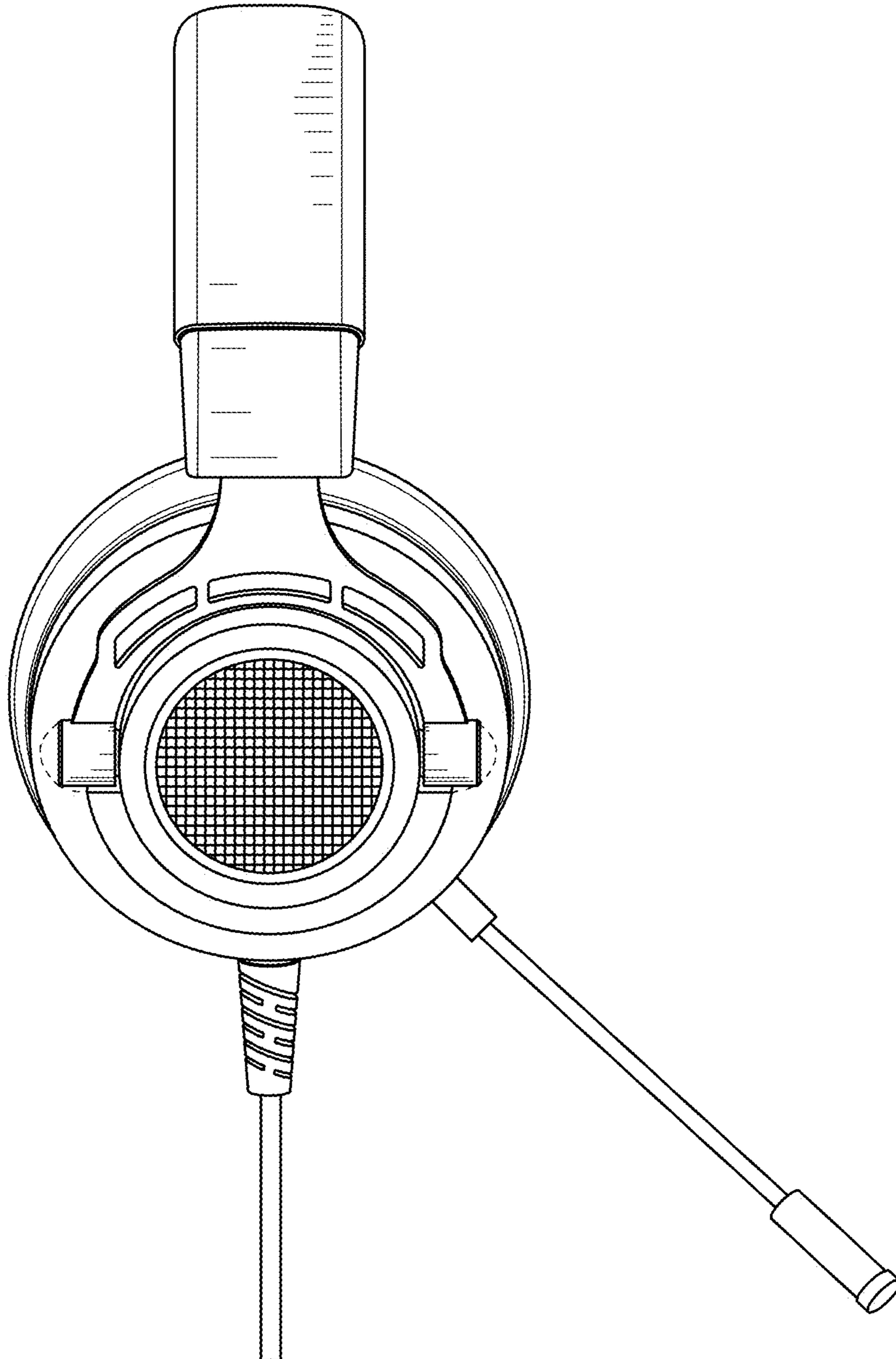


FIG. 4

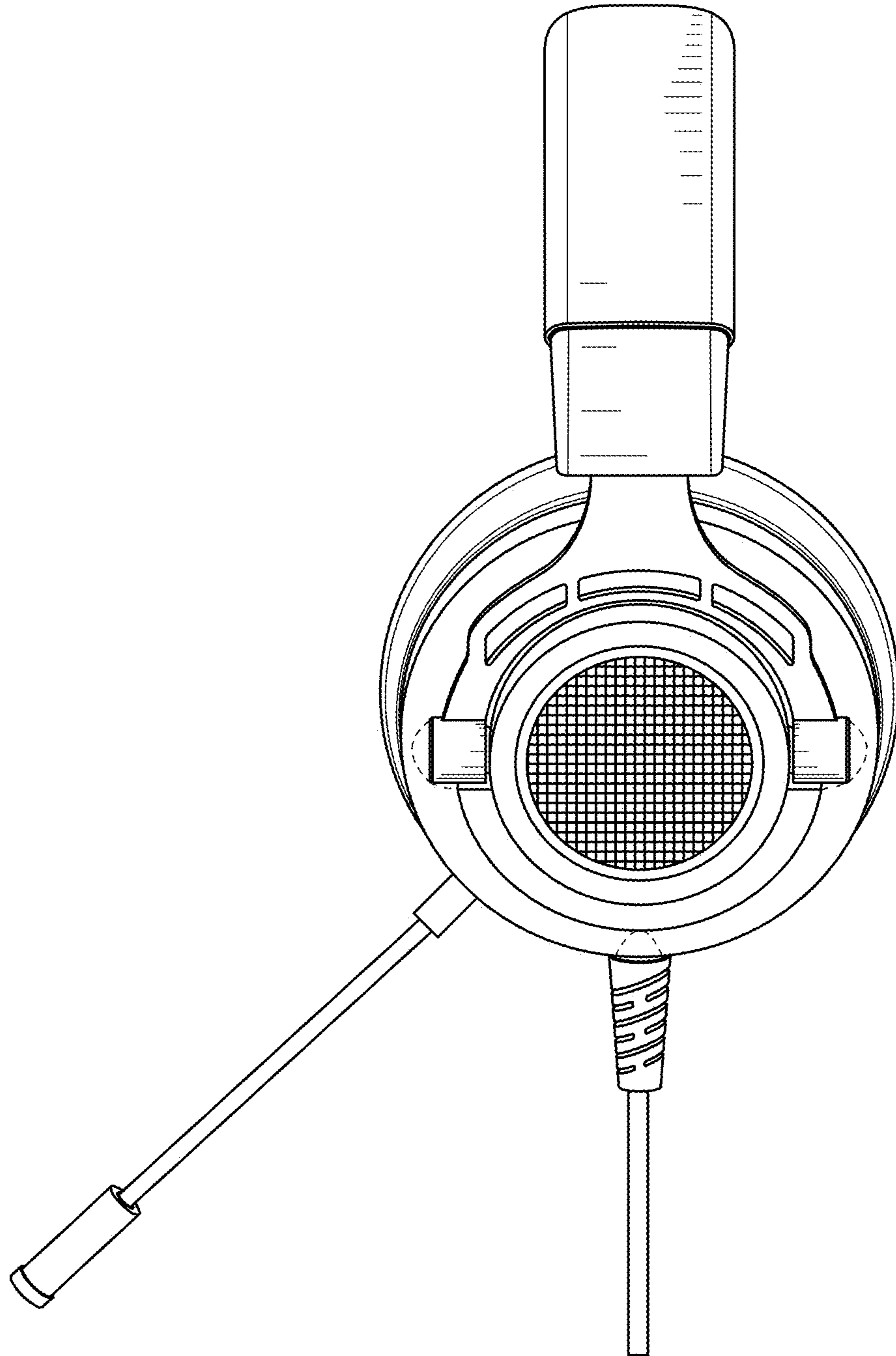


FIG. 5

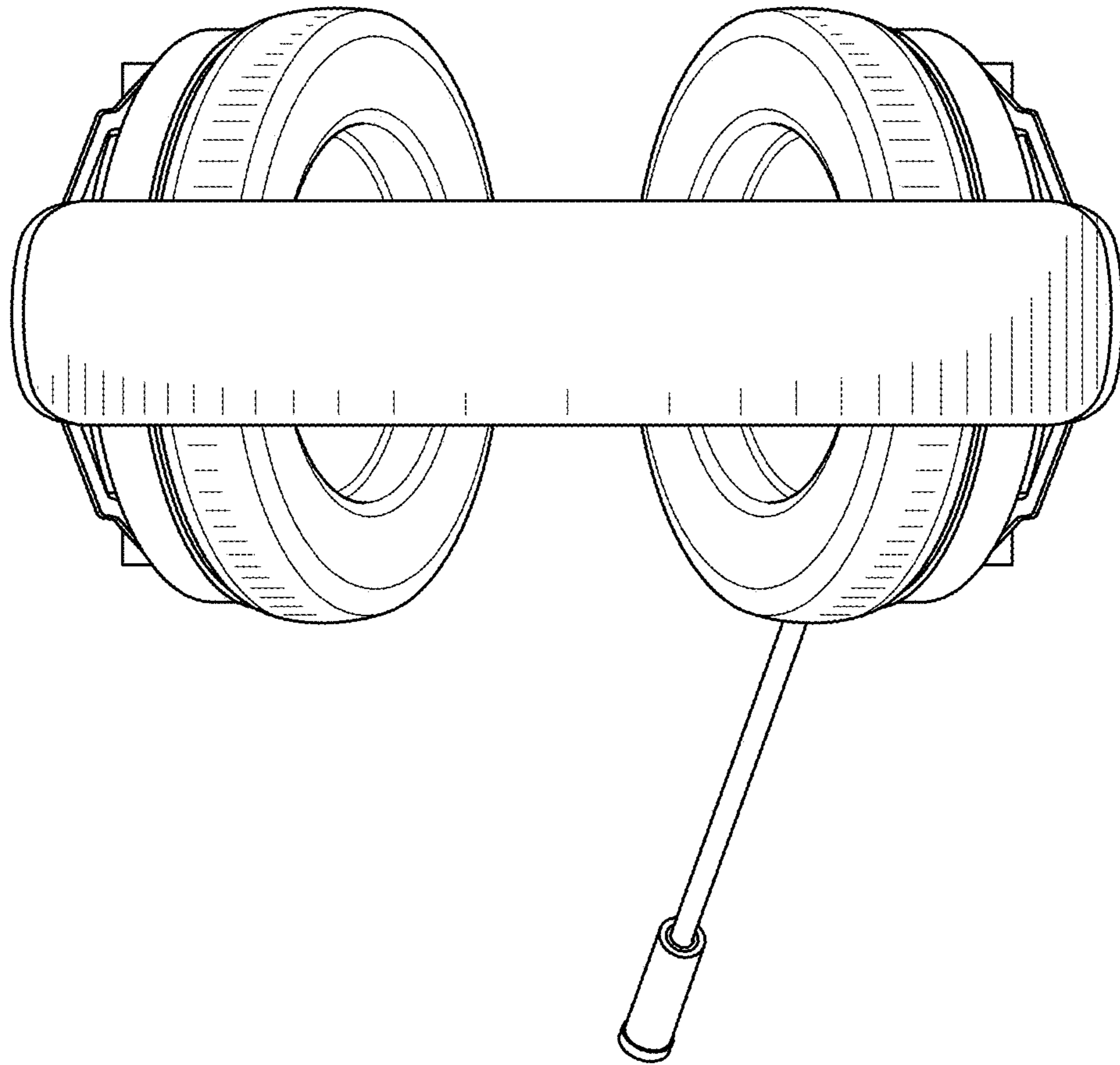


FIG. 6



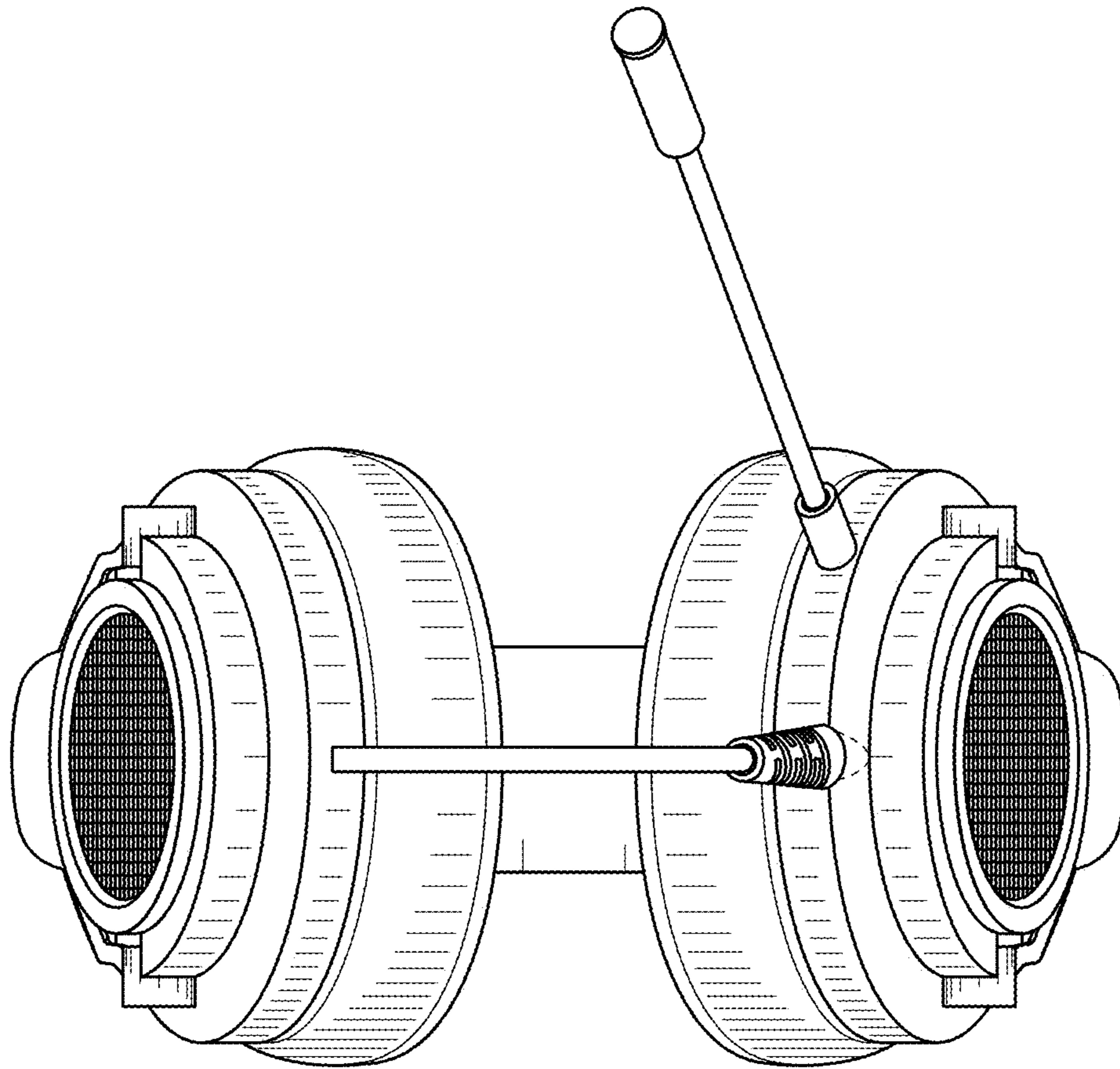


FIG. 7