



US00D872049S

(12) **United States Design Patent** (10) **Patent No.:** **US D872,049 S**
Saule et al. (45) **Date of Patent:** **** *Jan. 7, 2020**

(54) **HEADPHONES**

(71) Applicant: **Dolby Laboratories Licensing Corporation**, San Francisco, CA (US)
(72) Inventors: **Lucas E. Saule**, San Francisco, CA (US); **Vincent Voron**, Menlo Park, CA (US); **Peter Michaelian**, Tappan, NY (US); **Guangyu Jin**, San Francisco, CA (US); **Kevin J. Kilpatrick**, Mountain View, CA (US); **Branko Lukic**, Menlo Park, CA (US); **Steven Ryutaro Takayama**, Menlo Park, CA (US); **Grayson H. Byrd**, San Francisco, CA (US); **Adam Scott Koniak**, Redwood City, CA (US); **Ariel Laurent Fischer**, San Francisco, CA (US); **Robert Edward Borchers**, Pleasanton, CA (US)
(73) Assignee: **Dolby Laboratories Licensing Corporation**, San Francisco, CA (US)

(*) Notice: This patent is subject to a terminal disclaimer.
(**) Term: **15 Years**

(21) Appl. No.: **29/657,545**
(22) Filed: **Jul. 24, 2018**

Related U.S. Application Data

(63) Continuation of application No. 29/556,706, filed on Mar. 2, 2016, now abandoned.
(51) **LOC (12) Cl.** **14-01**
(52) **U.S. Cl.**
USPC **D14/205**
(58) **Field of Classification Search**
USPC D14/205, 188, 192; D29/112; 2/209; 181/129, 130, 135; 381/380, 381, 370,
(Continued)

(56) **References Cited**

U.S. PATENT DOCUMENTS

2,420,245 A 5/1947 Hurst
2,437,049 A 3/1948 Salisbury et al.
(Continued)

FOREIGN PATENT DOCUMENTS

EM 003360312-0001 * 9/2016
JP D1394497 7/2010
JP D1454341 10/2012

OTHER PUBLICATIONS

U.S. Appl. No. 29/556,705 to Saule et al., titled "Headphones", filed Mar. 2, 2016 (unpublished).
(Continued)

Primary Examiner — Paula Allen Greene
(74) *Attorney, Agent, or Firm* — Saidman DesignLaw Group, LLC

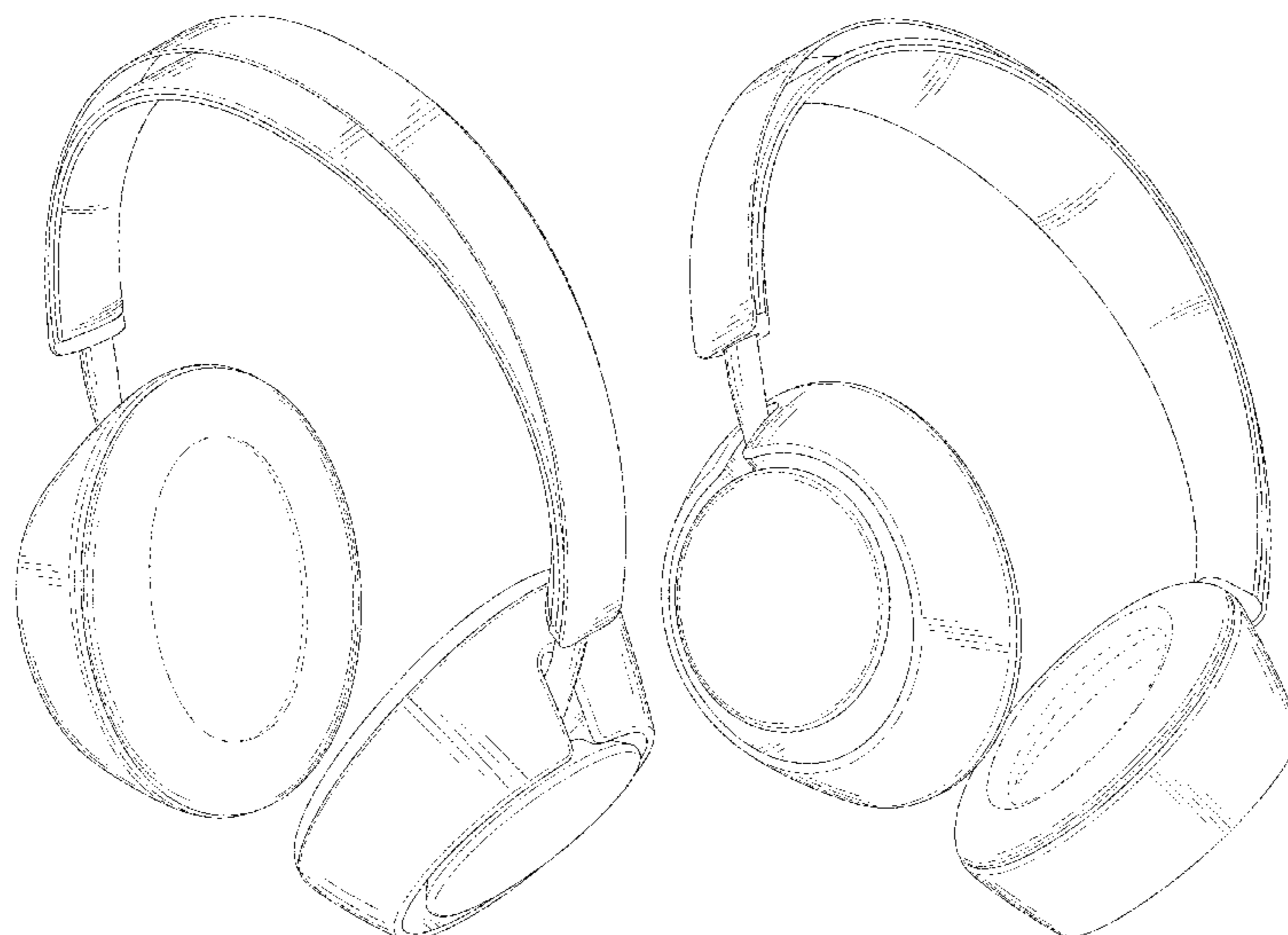
(57) **CLAIM**

The ornamental design for headphones, as shown and described.

DESCRIPTION

FIG. 1 shows a perspective view of headphones showing our new design;
FIG. 2 shows another perspective view thereof;
FIG. 3 shows a front view thereof;
FIG. 4 shows a rear view thereof;
FIG. 5 shows a top thereof; and,
FIG. 6 shows a bottom view thereof.
The dashed broken lines illustrate structure or features which form no part of the claimed design.
The dot-dash broken lines illustrate boundaries of the claimed design; the boundaries themselves form no part of the claimed design.

1 Claim, 5 Drawing Sheets



(58) **Field of Classification Search**
 USPC 381/374, 74; 455/90.3, 575.1, 569.1;
 379/430, 431
 CPC H04R 25/00; H04R 1/1066; H04R 1/1016;
 H04R 5/033; H04R 5/0335; H04R 1/10
 See application file for complete search history.

(56) **References Cited**

U.S. PATENT DOCUMENTS

2,754,519	A	7/1956	Kindel	
2,782,423	A	2/1957	Simon et al.	
3,505,684	A	4/1970	Hutchinson et al.	
3,562,816	A	2/1971	Hutchinson	
D228,352	S	9/1973	Itagaki	
D229,833	S	1/1974	Becker	
D246,259	S	11/1977	Nishimura et al.	
4,403,120	A	9/1983	Yoshimi	
4,471,496	A	9/1984	Gardner, Jr. et al.	
4,472,607	A	9/1984	Houng	
4,597,469	A	7/1986	Nagashima	
D300,133	S	3/1989	Daidoh et al.	
5,018,599	A	5/1991	Dohi et al.	
D317,767	S	6/1991	Banks	
D331,059	S	11/1992	Sogabe et al.	
D358,388	S	5/1995	Nakamura et al.	
5,862,241	A	1/1999	Nelson	
D443,870	S	6/2001	Carpenter et al.	
D453,015	S	1/2002	Yuyama	
6,353,938	B1	3/2002	Young	
D467,895	S	12/2002	Hirano	
D484,485	S	12/2003	Matsuoka	
D491,163	S	6/2004	Green	
D508,908	S	8/2005	Chueh	
D514,087	S	1/2006	Wilson et al.	
D520,492	S	5/2006	Chen	
D534,156	S	12/2006	Obata	
D540,301	S	4/2007	Obata	
D540,302	S	4/2007	Hagiwara et al.	
D541,255	S	4/2007	Taylor et al.	
7,245,735	B2	7/2007	Han	
D571,354	S	6/2008	Ng	
D582,890	S	12/2008	Koza et al.	
D583,800	S	12/2008	Jaakkola et al.	
D588,098	S *	3/2009	Kurihara D14/205	
D592,640	S	5/2009	Tkachuk	
D597,070	S	7/2009	Zheng	
D633,895	S	3/2011	Morimoto	
D641,725	S	7/2011	Chong et al.	
8,006,320	B1	8/2011	Rohbani	
D654,472	S	2/2012	Fischer	
D663,717	S	7/2012	Hutchieson	
8,295,529	B2	10/2012	Petersen et al.	

8,363,877	B2	1/2013	Morisawa	
D684,141	S	6/2013	Takamoto	
D684,559	S	6/2013	Groset et al.	
D686,593	S	7/2013	Larsen	
D689,464	S	9/2013	Bonahoom et al.	
D691,582	S	10/2013	Nguyen et al.	
8,620,007	B2	12/2013	Lee et al.	
8,755,555	B2	6/2014	Dougherty et al.	
D708,164	S	7/2014	Ishikura	
D713,374	S	9/2014	Farrage	
D722,584	S	2/2015	Chen	
D722,589	S	2/2015	Lu	
D722,998	S	2/2015	Sancho et al.	
D725,630	S *	3/2015	Nakagawa D14/205	
D733,090	S	6/2015	Petersen	
D736,176	S *	8/2015	Rapitsch D14/205	
D757,680	S	5/2016	Kelly et al.	
D759,626	S *	6/2016	Wagner D14/205	
D768,111	S	10/2016	Nam et al.	
D769,840	S	10/2016	Henning	
D781,265	S	3/2017	Levine et al.	
D782,995	S *	4/2017	Matthews D14/205	
D787,469	S	5/2017	Djohar et al.	
D788,071	S	5/2017	Logan	
D790,503	S	6/2017	Lok	
D795,835	S *	8/2017	Nagamine D14/205	
D812,035	S *	3/2018	Petersen D14/205	
D842,270	S *	3/2019	Chen D14/205	
D851,062	S *	6/2019	Saule D14/205	
D857,655	S *	8/2019	Saule D14/205	
D858,481	S *	9/2019	Saule D14/205	
2007/0154051	A1	7/2007	Wang et al.	
2012/0140973	A1 *	6/2012	Olodort H04R 1/1066 381/375	
2013/0087404	A1	4/2013	Peskar et al.	
2013/0156247	A1	6/2013	Boyajian et al.	
2015/0117693	A1 *	4/2015	Akino H04R 1/1008 381/370	

OTHER PUBLICATIONS

U.S. Appl. No. 29/556,703 to Saule et al., titled "Headphones", filed Mar. 2, 2016 (unpublished).
 U.S. Appl. No. 29/556,708 to Saule et al., titled "Headphones", filed Mar. 2, 2016 (unpublished).
 Images of Beoplay H7 headphones, available at least as early as Mar. 2, 2016.
 Image of Audeze EL-8 headphones, available at least as early as Mar. 2, 2016.
 Image of Sony h.ear on headphones, available at least as early as Mar. 2, 2016.

* cited by examiner

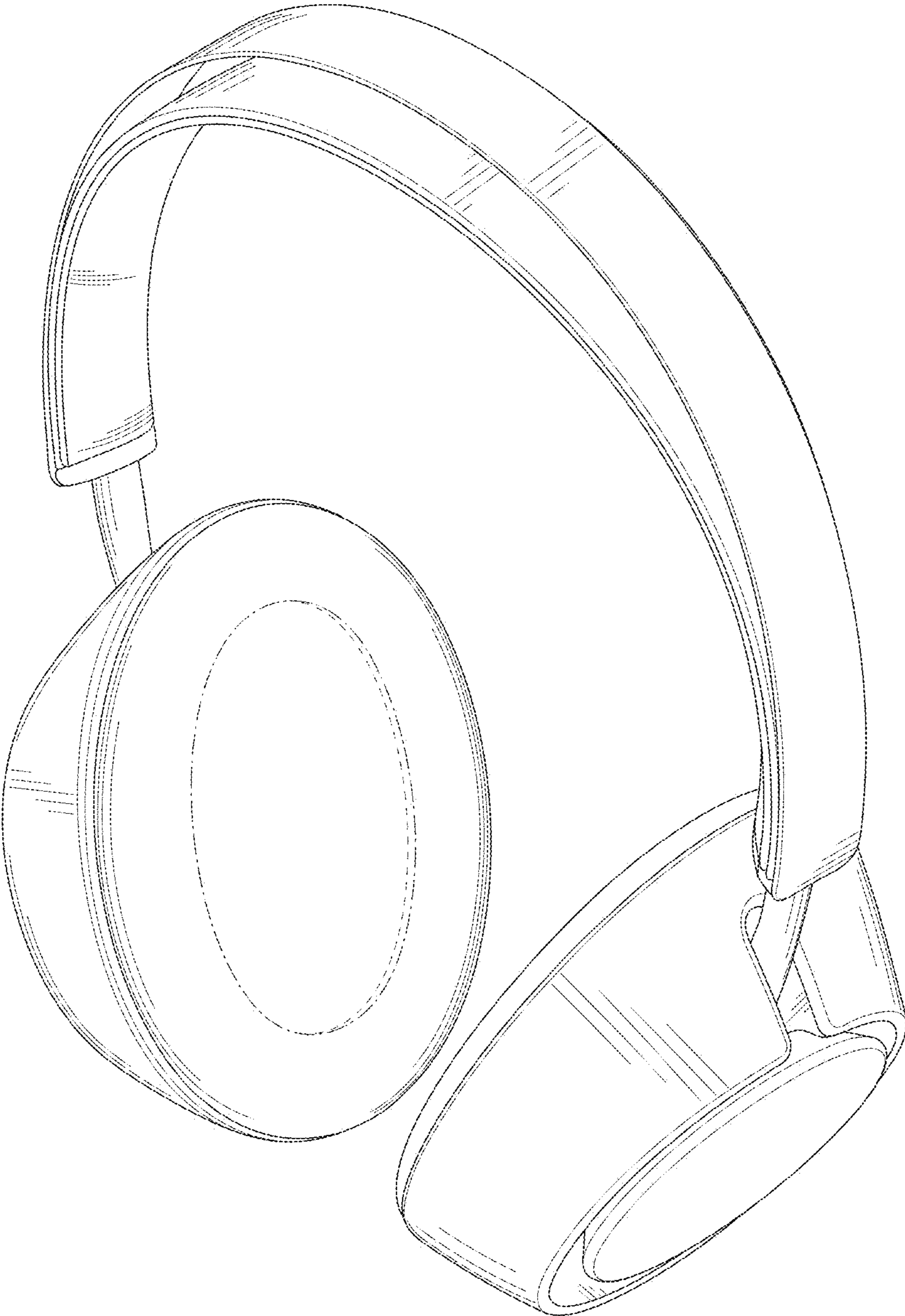


FIG. 1

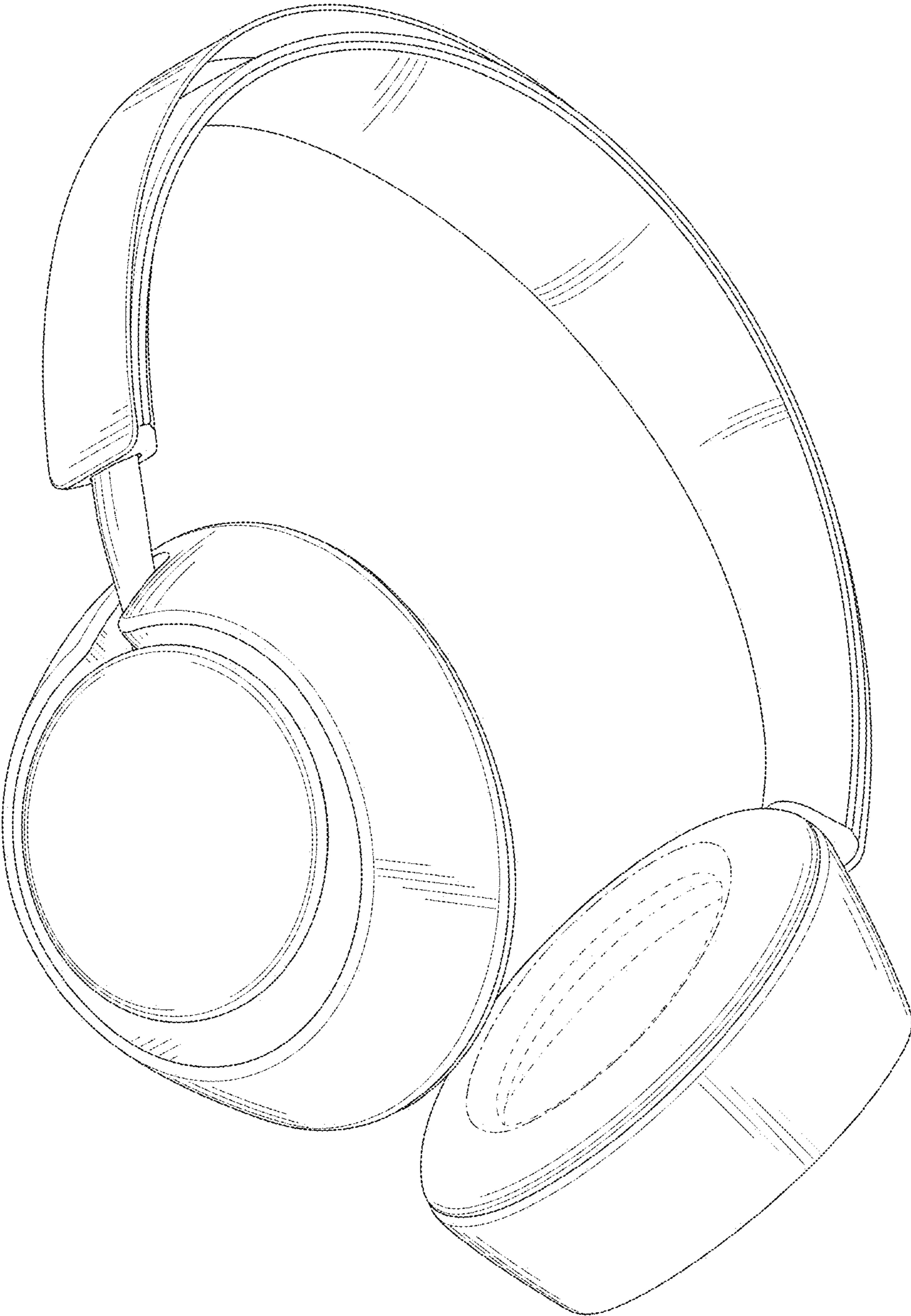


FIG. 2

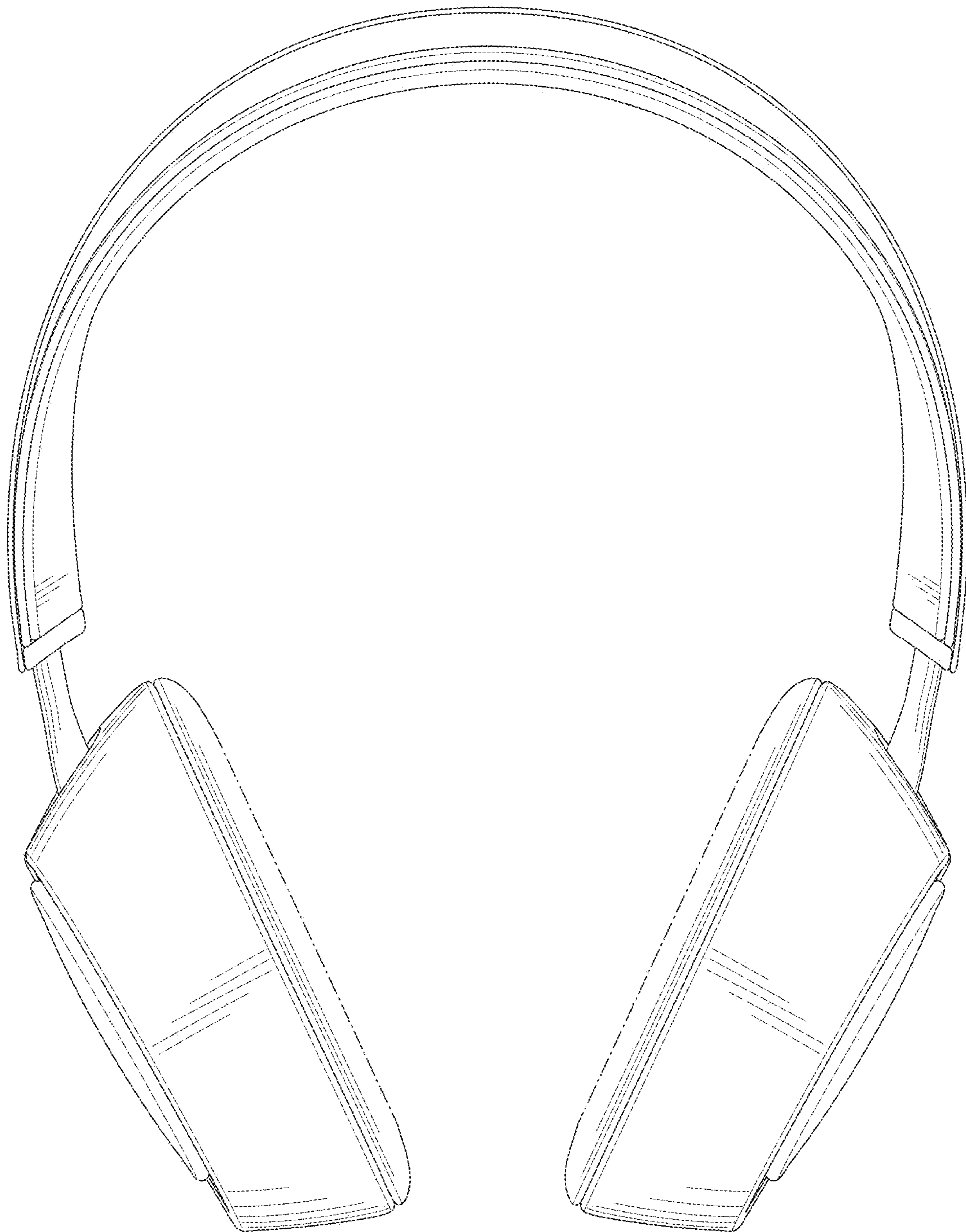


FIG. 3



FIG. 4

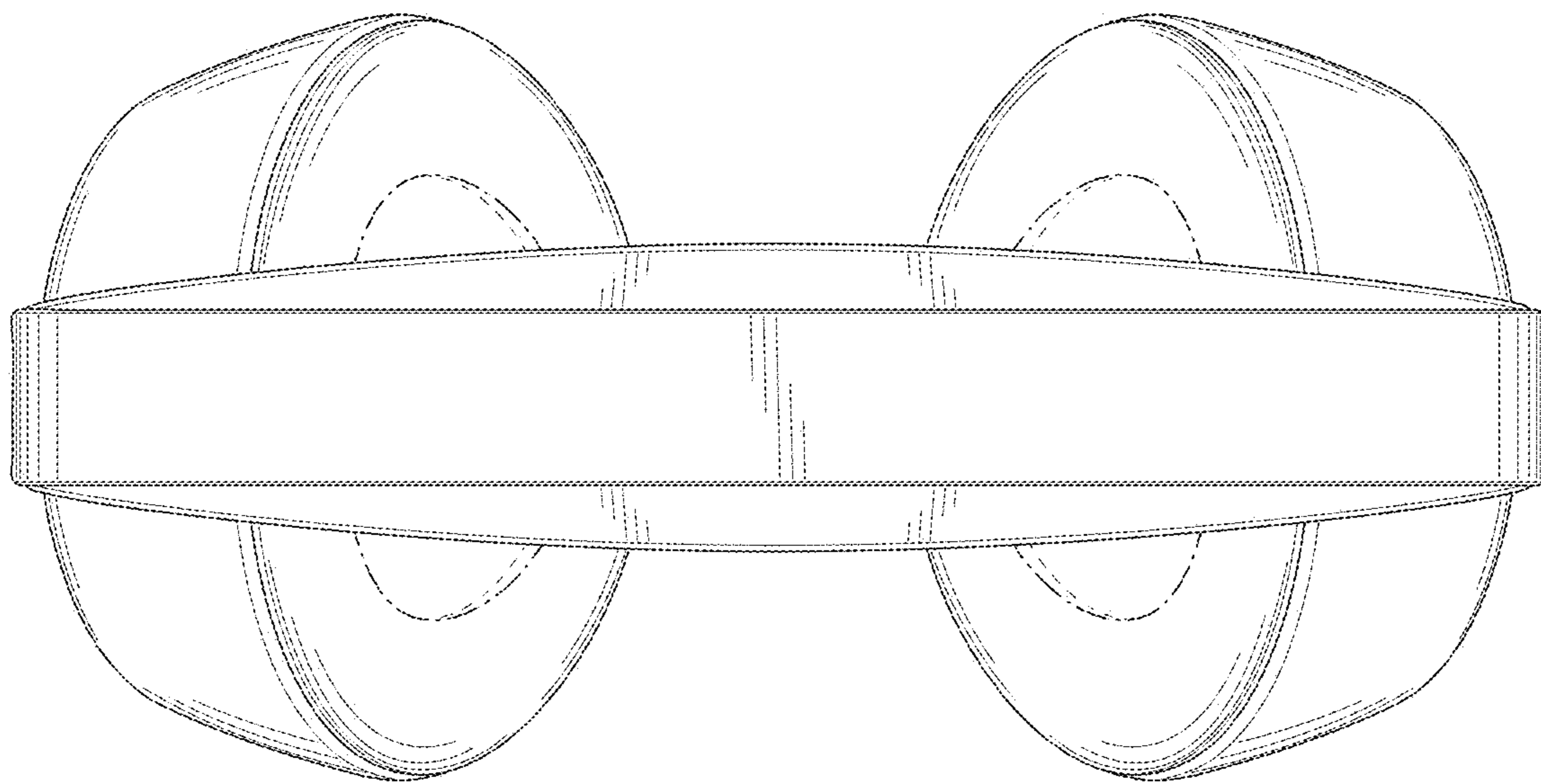


FIG. 5

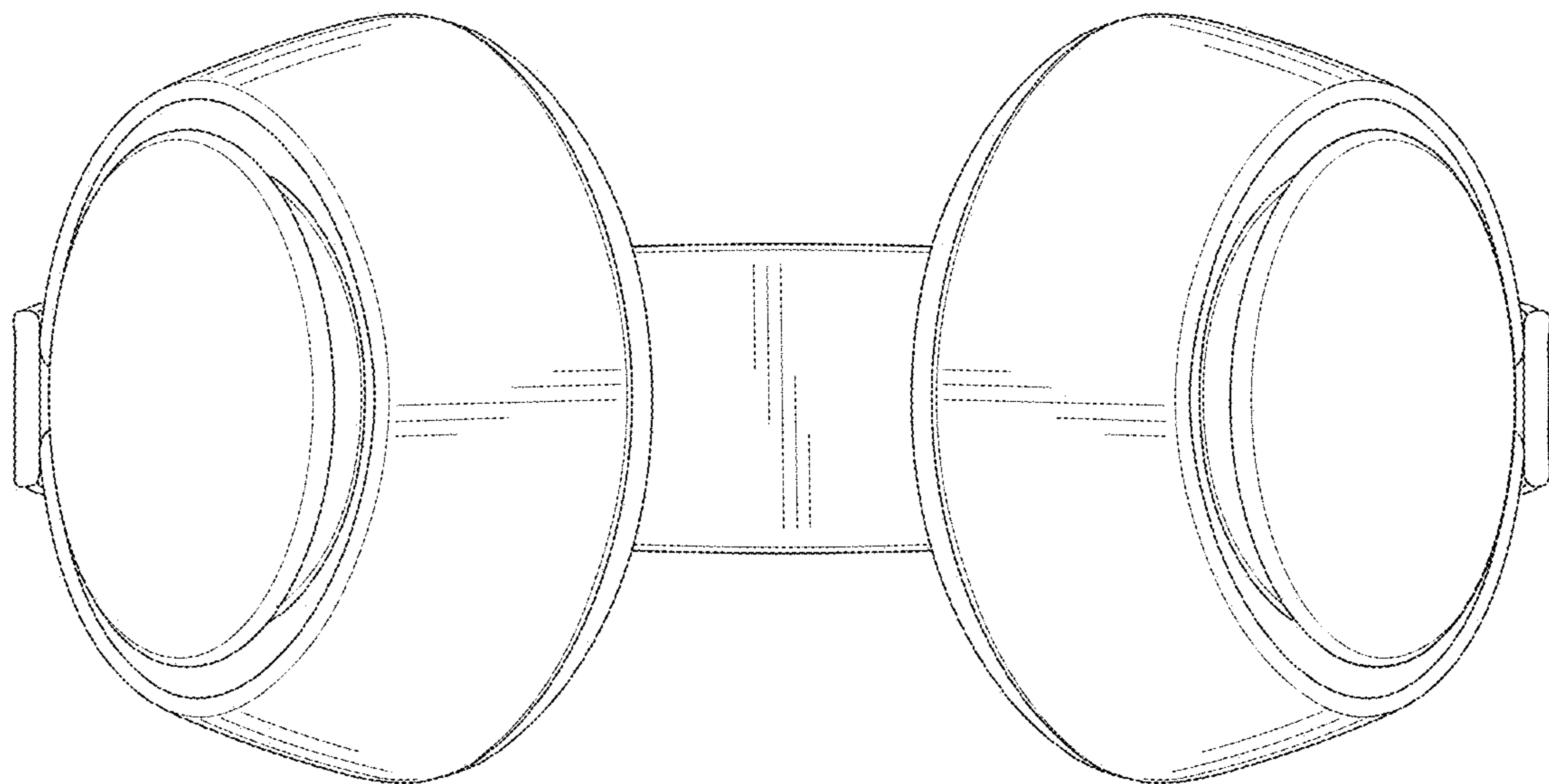


FIG. 6