



US00D872048S

(12) **United States Design Patent**
Dennis

(10) **Patent No.:** **US D872,048 S**
(45) **Date of Patent:** **** Jan. 7, 2020**

- (54) **EARCUP OF HEADPHONES**
- (71) Applicant: **TV Ears, Inc.**, Spring Valley, CA (US)
- (72) Inventor: **George Joseph Dennis**, Scottsdale, AZ (US)
- (**) Term: **15 Years**
- (21) Appl. No.: **29/634,625**
- (22) Filed: **Jan. 23, 2018**

Related U.S. Application Data

- (63) Continuation of application No. 29/563,282, filed on May 3, 2016, now Pat. No. Des. 808,358.
- (51) **LOC (12) Cl.** **14-01**
- (52) **U.S. Cl.**
USPC **D14/205**
- (58) **Field of Classification Search**
USPC D14/205, 206, 188, 192, 249, 250;
D29/112; 2/209; 181/129, 130, 135;
379/430, 431; 381/380, 381, 74, 374,
381/370; 455/90.3, 575.1, 569.1;
D8/311; D9/434, 435
CPC H04R 1/1066; H04R 1/1016; H04R 1/10;
H04R 25/00; H04R 5/033; H04R 5/0335;
H04R 1/1008; H04R 1/1083
See application file for complete search history.

(56) **References Cited**

U.S. PATENT DOCUMENTS

- D68,807 S * 11/1925 Hill D8/312
- D93,773 S * 11/1934 Krieger D8/312
- 2,501,008 A * 3/1950 Schramm F16K 35/027
192/95
- 2,728,215 A * 12/1955 Bremer E05B 37/00
70/332
- D176,508 S * 1/1956 Enos D8/311
- D189,142 S * 11/1960 Heckman D8/311
- 3,440,663 A * 4/1969 Beguin A61F 11/14
2/209

- 3,505,684 A * 4/1970 Hutchinson A61F 11/14
2/209
- 3,526,816 A * 9/1970 Paice H02P 23/08
318/771
- D229,833 S 1/1974 Becker
- D231,318 S * 4/1974 James D8/312
- 4,197,726 A * 4/1980 Uyeda E05B 37/00
359/440

(Continued)

OTHER PUBLICATIONS

Sennheiser Electronic GmbH & Co. KG, Quick Guide, Jul. 2012, in 1 page, Wedemark, Germany.

(Continued)

Primary Examiner — Paula Allen Greene

(74) *Attorney, Agent, or Firm* — Knobbe, Martens, Olson & Bear LLP

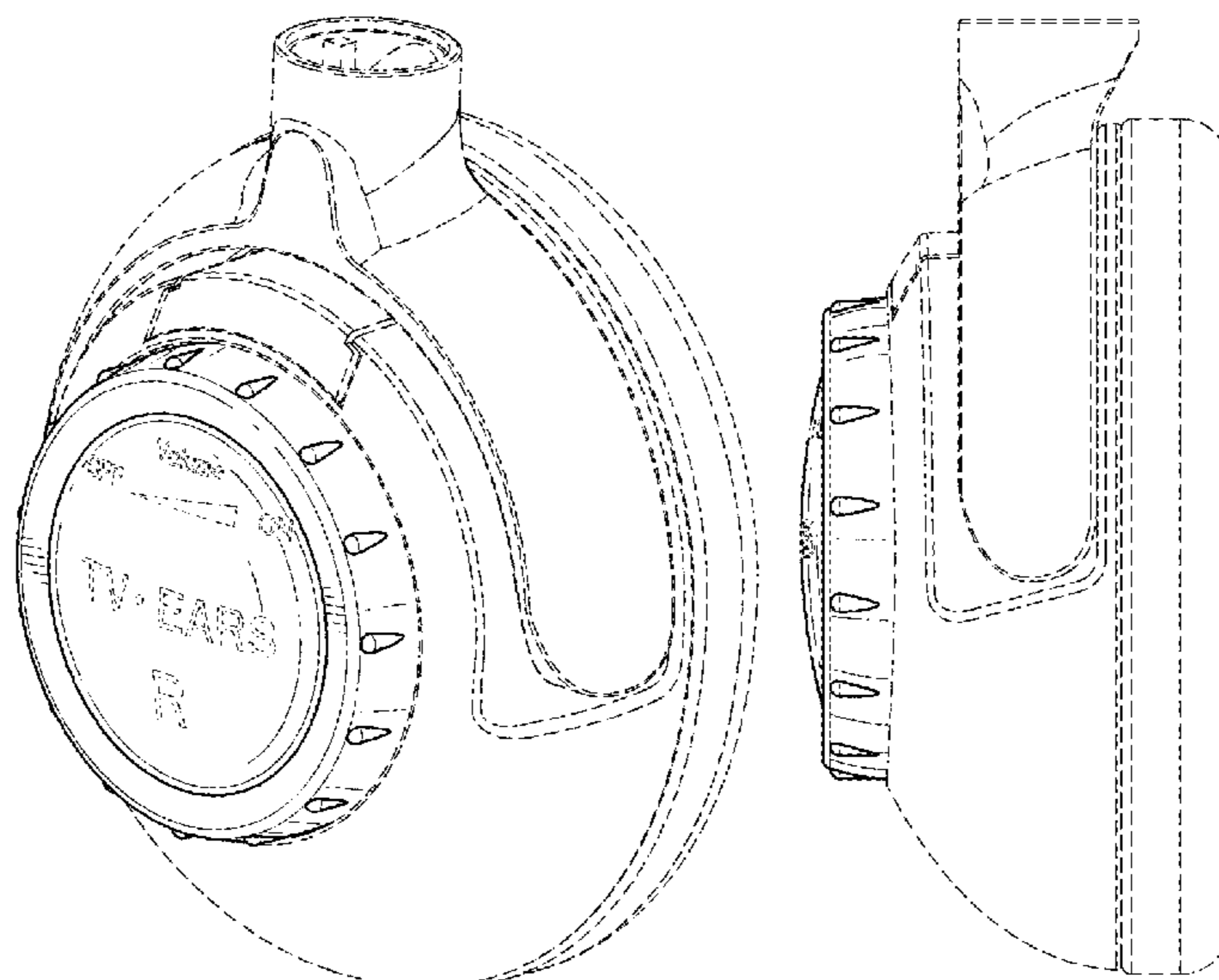
(57) **CLAIM**

The ornamental design for an earcup of headphones, as shown and described.

DESCRIPTION

FIG. 1 is a front perspective view of an earcup of headphones, showing my new design.
 FIG. 2 is a rear perspective view thereof.
 FIG. 3 is a left side view thereof.
 FIG. 4 is a right side view thereof.
 FIG. 5 is a front view thereof.
 FIG. 6 is a rear view thereof.
 FIG. 7 is a top view thereof; and,
 FIG. 8 is a bottom view thereof.
 The broken lines immediately adjacent the shaded areas represent the bounds of the claimed design while all other broken lines are directed to environment and are for illustrative purposes only; the broken lines form no part of the claimed design.

1 Claim, 4 Drawing Sheets



(56)

References Cited

U.S. PATENT DOCUMENTS

4,409,442 A 10/1983 Kamimura
 D292,381 S * 10/1987 Kowollik D9/452
 D327,074 S 7/1992 Yamazaki et al.
 D328,074 S * 7/1992 Yamazaki D14/205
 D328,461 S 8/1992 Daido et al.
 D345,163 S 3/1994 Yamatogi
 D353,818 S 12/1994 Nakamura
 D358,390 S 5/1995 Hayashi
 D358,391 S 5/1995 Isono
 5,640,458 A * 6/1997 Nishiguchi G11C 7/16
 381/2
 5,862,241 A * 1/1999 Nelson H04R 1/105
 381/374
 6,006,115 A 12/1999 Wingate
 D431,550 S 10/2000 Yoneda
 D434,962 S * 12/2000 Short D8/310
 D453,015 S 1/2002 Yuyama
 D457,512 S 5/2002 Yoneda
 D476,639 S 7/2003 Bergeron et al.
 D484,485 S * 12/2003 Matsuoka D14/205
 D491,163 S 6/2004 Green
 D501,195 S * 1/2005 Brown D14/188
 D510,335 S 10/2005 Suzuki
 D514,087 S 1/2006 Wilson et al.
 D526,882 S * 8/2006 Veltz D8/307
 D530,185 S * 10/2006 Osiecki D8/343
 D532,407 S * 11/2006 Motoishi D14/205
 D563,382 S 3/2008 Wikel
 7,356,362 B2 * 4/2008 Chang H04R 1/1033
 379/430
 7,388,960 B2 6/2008 Kuo et al.
 D573,581 S 7/2008 Gondo et al.
 7,412,070 B2 8/2008 Kleinschmidt et al.
 D585,871 S 2/2009 Lee
 D592,639 S 5/2009 Kuh et al.
 D594,847 S 6/2009 Suzuki
 D603,370 S 11/2009 Suzuki

7,834,865 B2 * 11/2010 Jannasch G05G 1/10
 200/564
 8,098,872 B2 1/2012 Chang
 D662,080 S * 6/2012 Carr D14/205
 D674,767 S 1/2013 Brunner et al.
 D684,559 S 6/2013 Groset et al.
 8,733,204 B2 * 5/2014 Voss A47J 37/0786
 74/553
 D713,235 S * 9/2014 Lee D8/310
 D719,136 S 12/2014 Schaal et al.
 D721,052 S 1/2015 Carr et al.
 D734,297 S * 7/2015 Sasaki D14/205
 D755,753 S 5/2016 Nakagawa
 D758,990 S 6/2016 Jiang
 D765,055 S 8/2016 Hsieh et al.
 D768,110 S 10/2016 Suzuki
 D784,298 S * 4/2017 Ozawa D14/223
 D800,691 S * 10/2017 Ando D14/205
 9,800,977 B2 * 10/2017 Dennis H04R 1/1083
 D808,358 S * 1/2018 Dennis D14/205
 9,936,297 B2 * 4/2018 Dennis H04R 1/1083
 2008/0181435 A1 7/2008 Ozaki et al.
 2010/0139046 A1 * 6/2010 Daniels A47B 95/02
 16/414
 2010/0310093 A1 * 12/2010 Semcken H04R 1/1058
 381/104
 2014/0013897 A1 * 1/2014 Clauss G05G 1/10
 74/553
 2014/0254854 A1 9/2014 Blonder
 2015/0063586 A1 3/2015 Shah

OTHER PUBLICATIONS

Beats Studio, Quick Start Guide, 2013, Beats Electronics, LLC, in 7 pages.
 Bose, Bose QuietComfort 25, Acoustic Noise Cancelling headphones, 2015, in 2 pages, Framingham, Massachusetts.

* cited by examiner

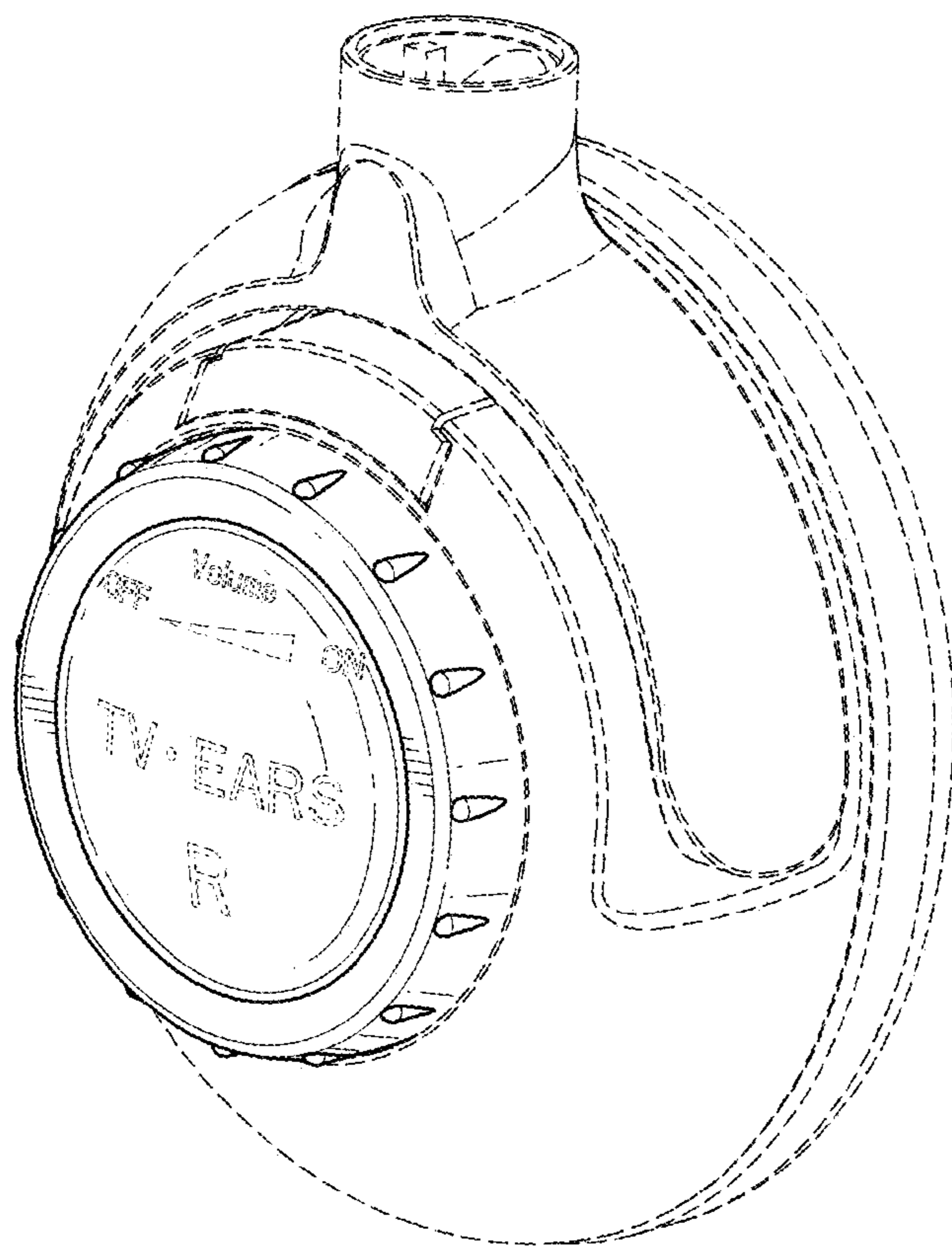


FIG. 1

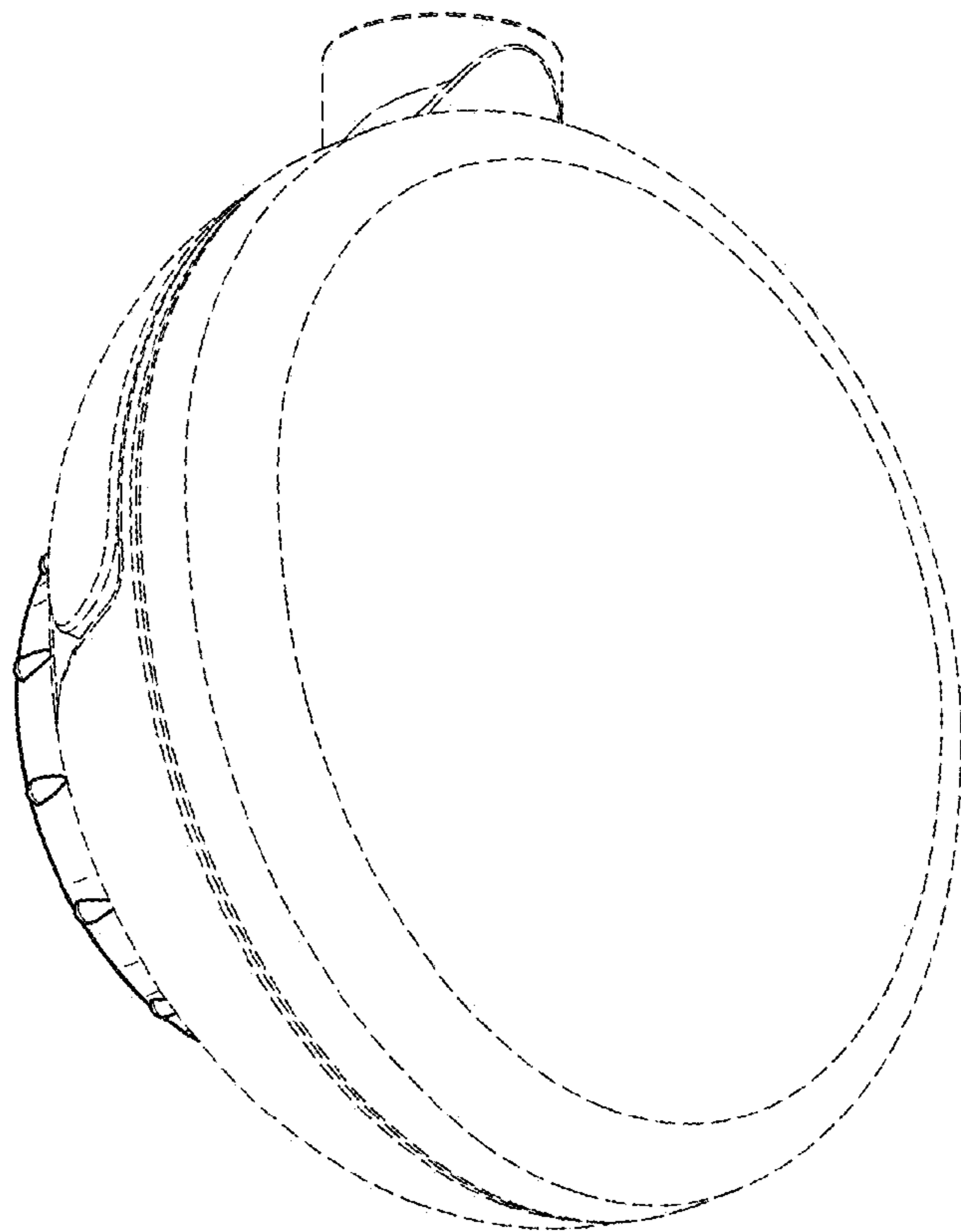


FIG. 2

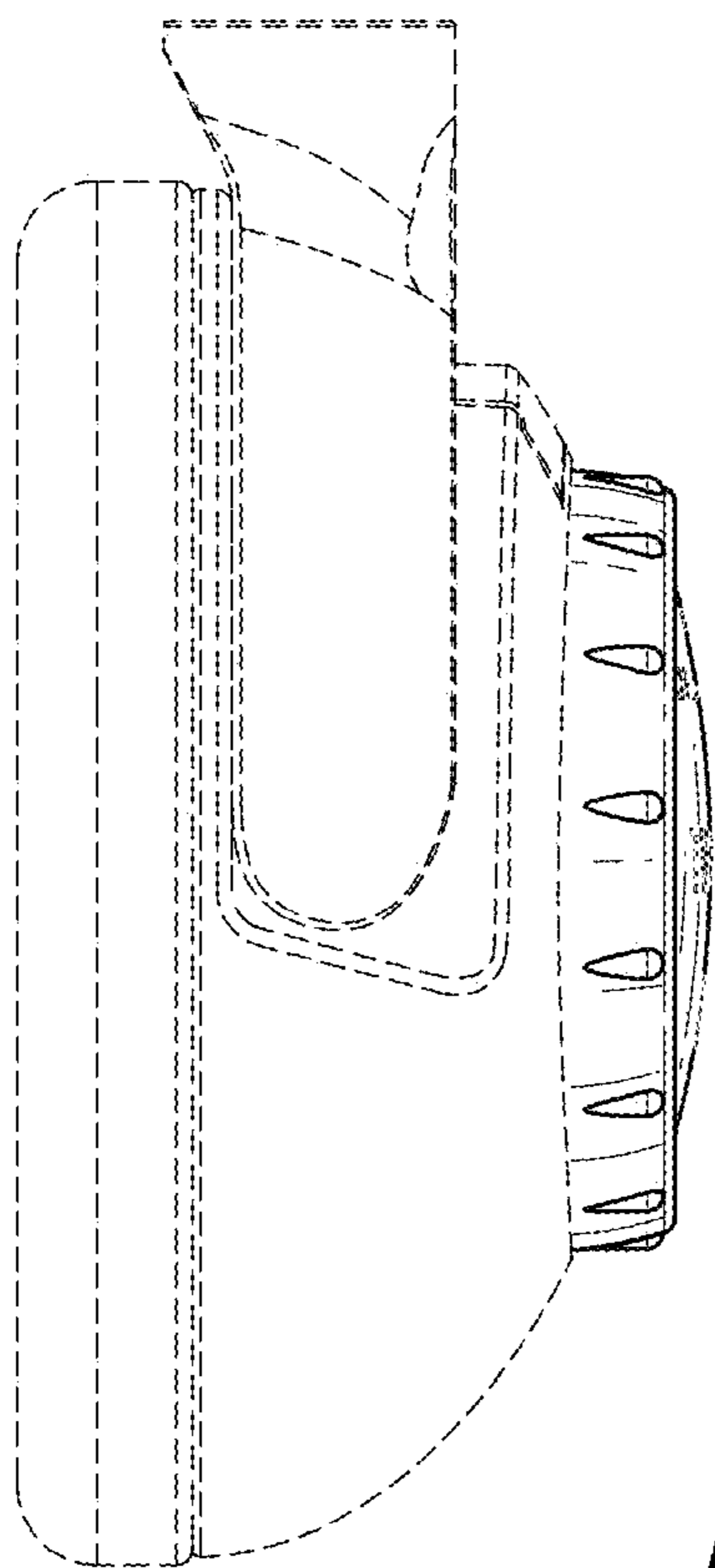


FIG. 3

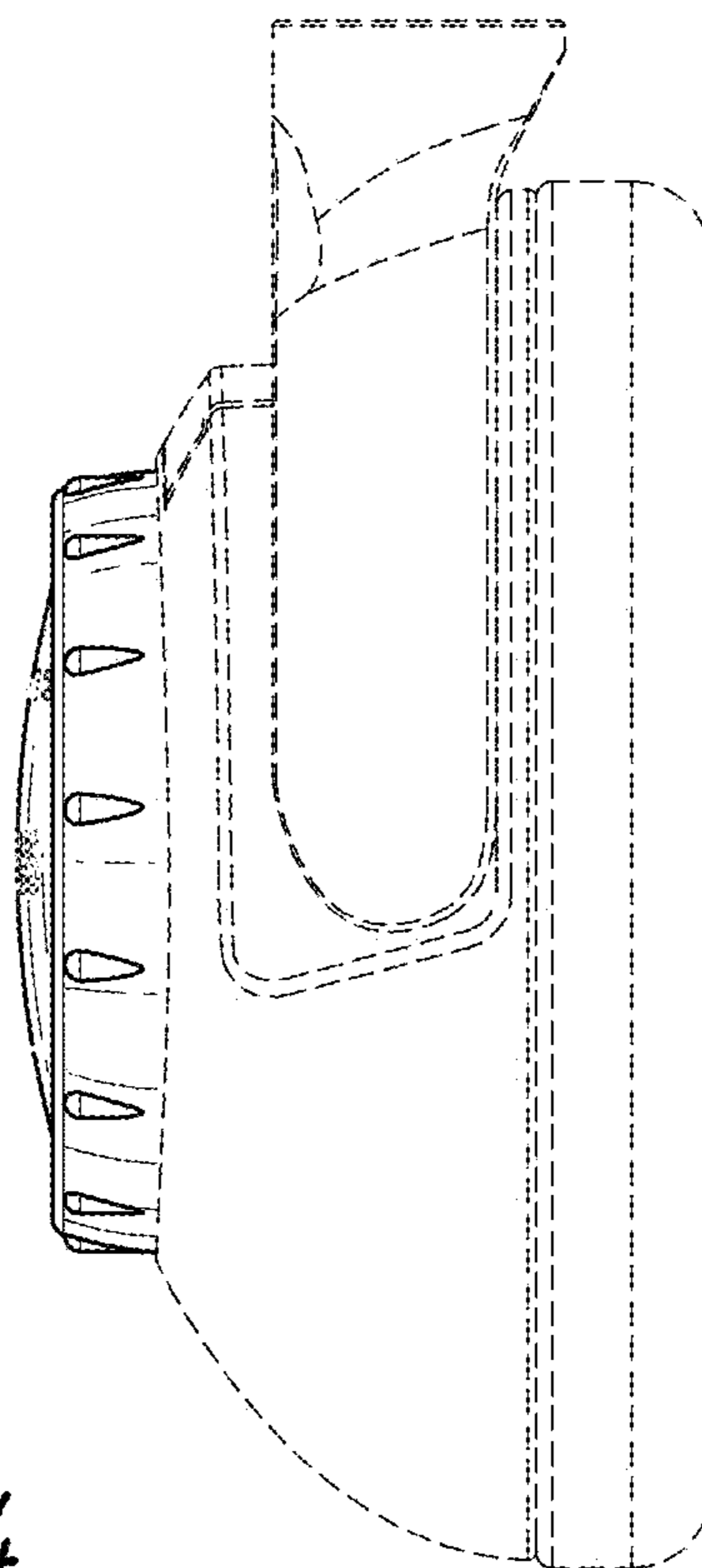


FIG. 4

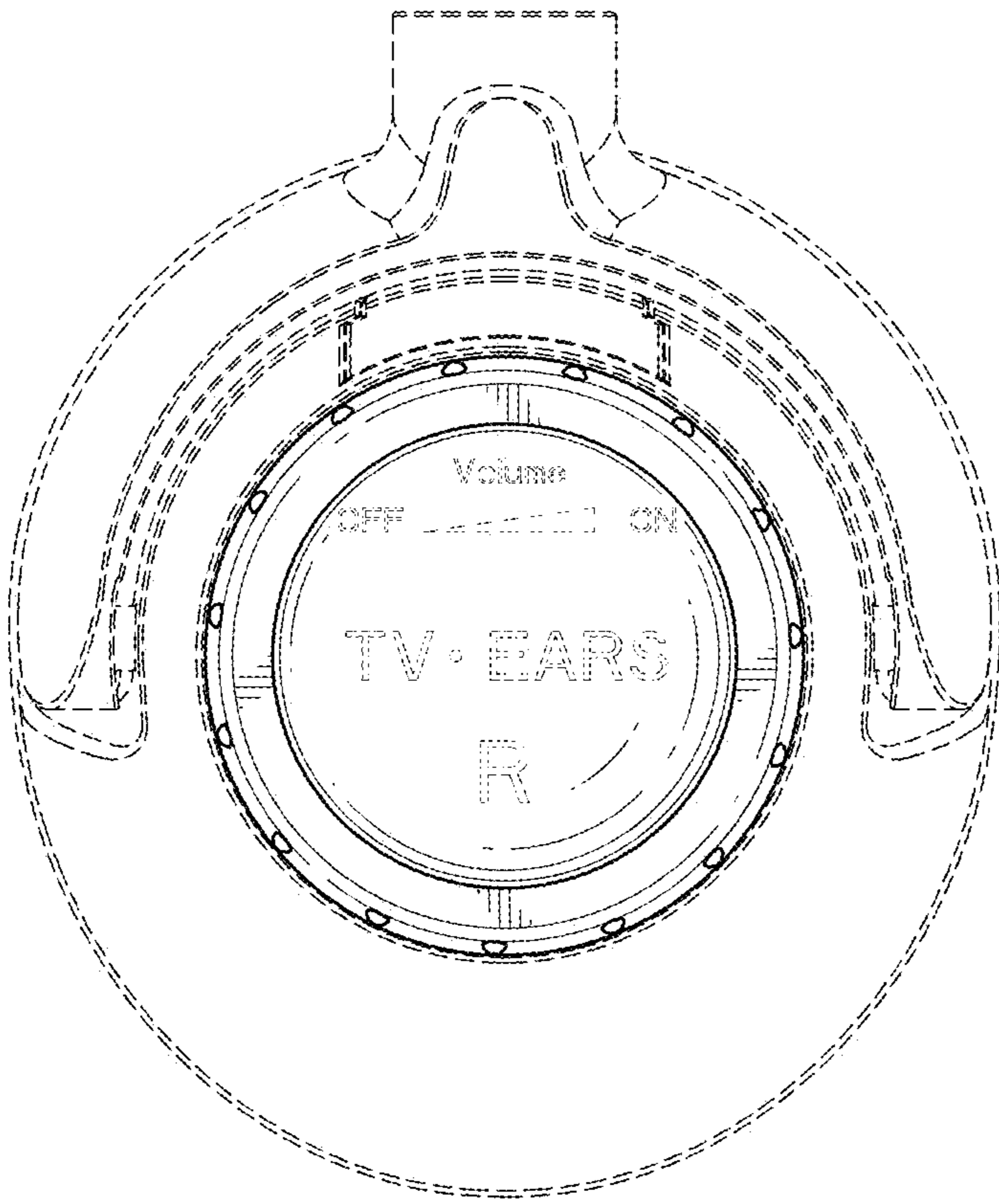


FIG. 5

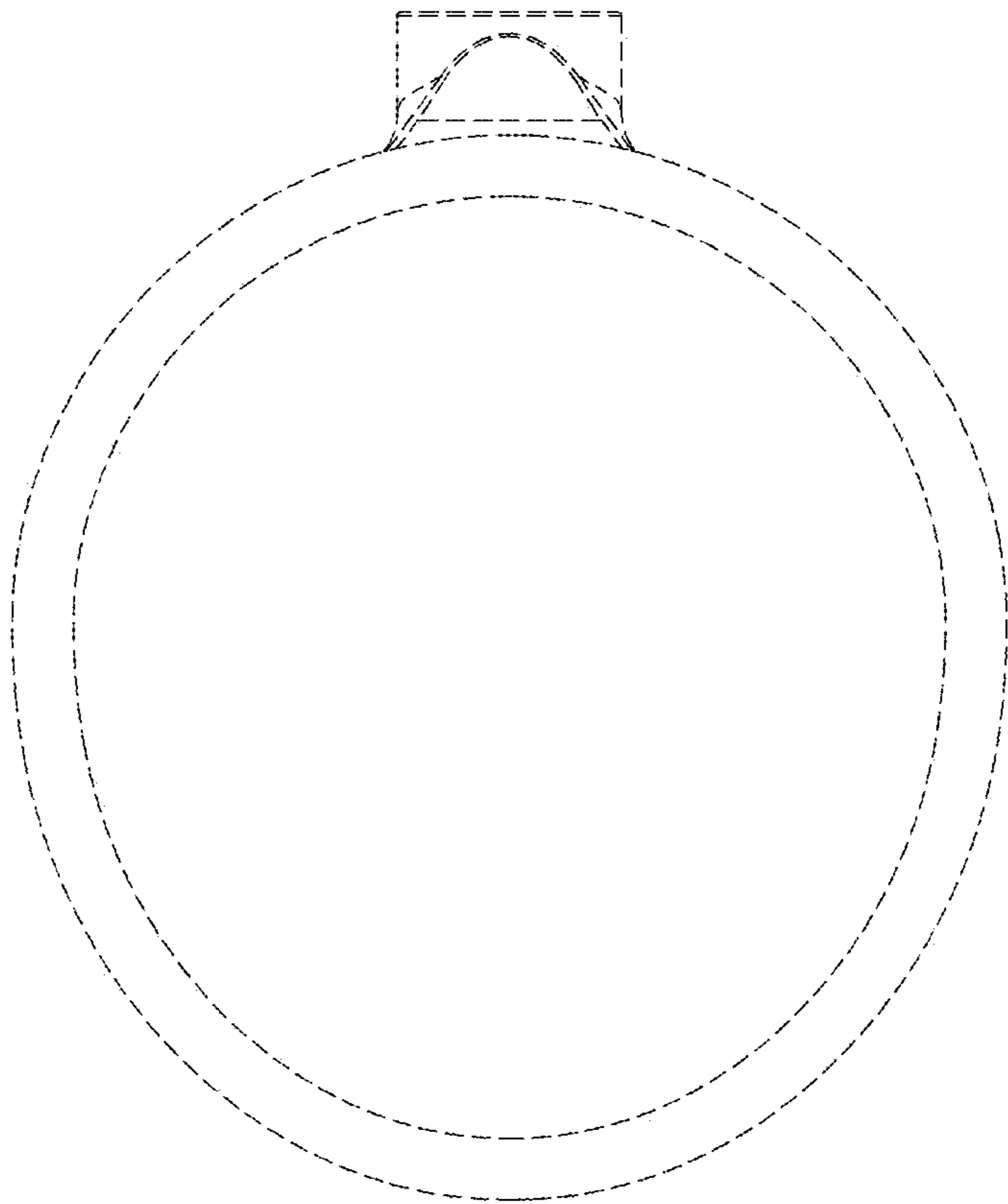


FIG. 6

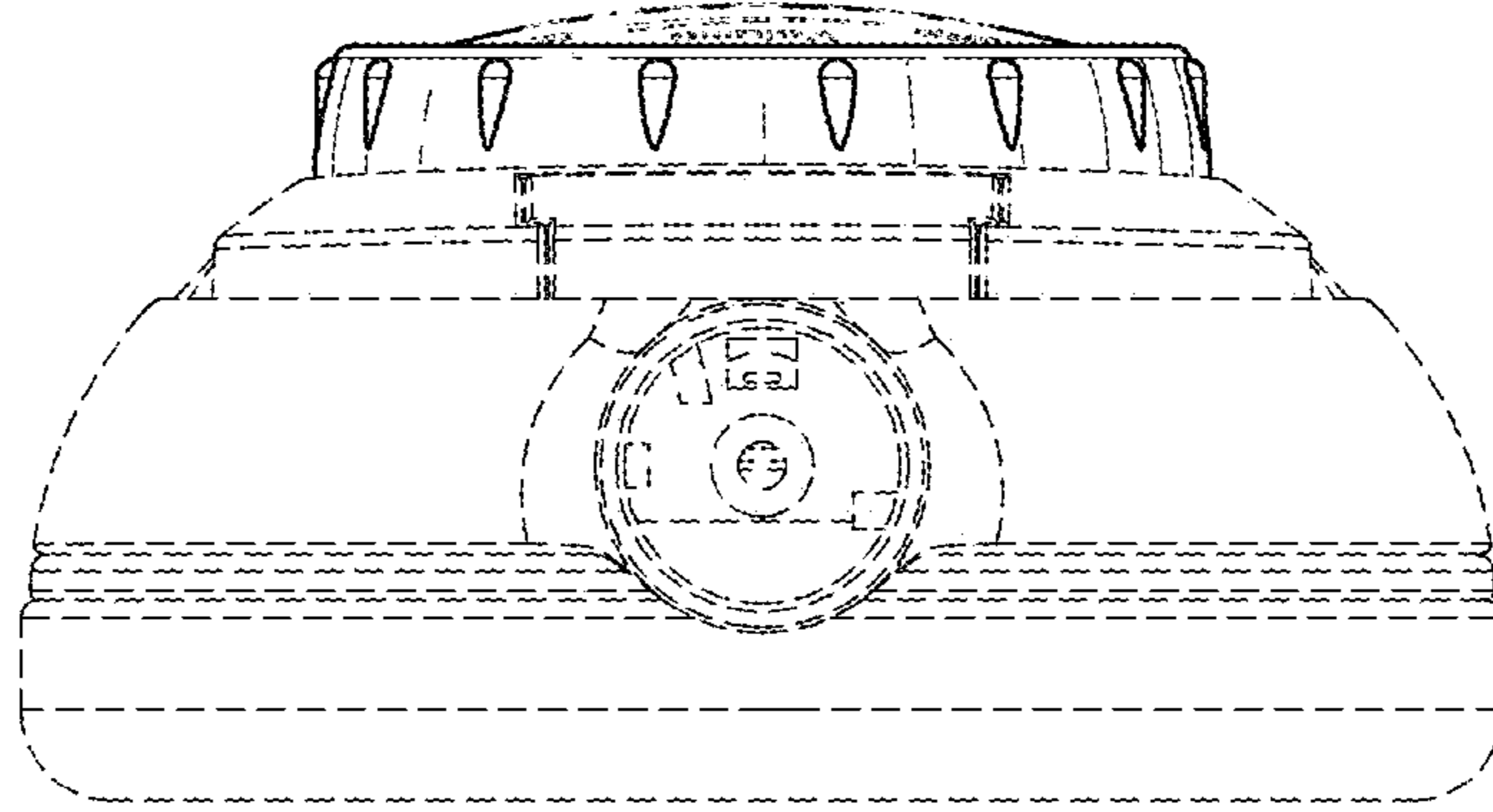


FIG. 7

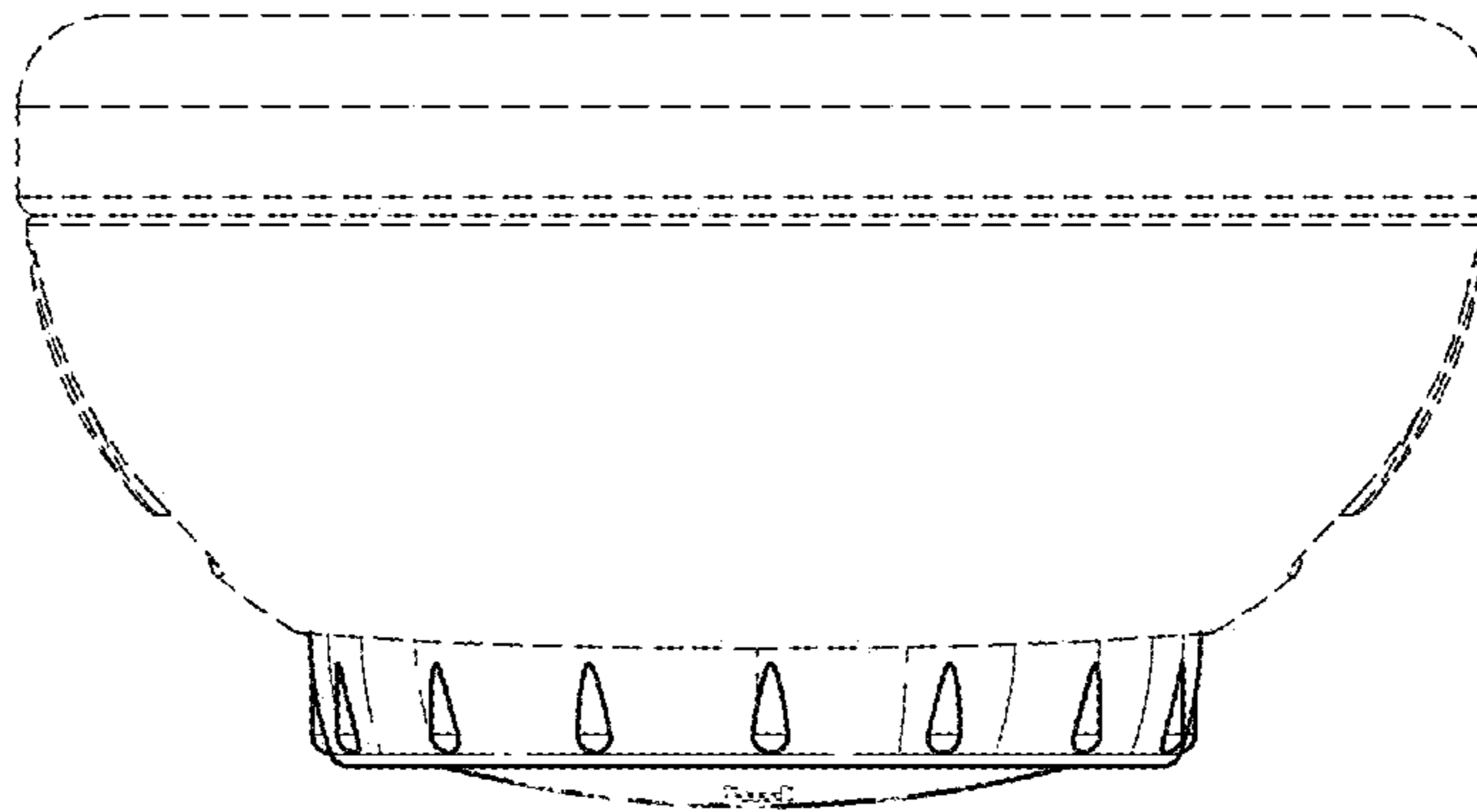


FIG. 8