



US00D872047S

(12) **United States Design Patent**  
**Luo**

(10) **Patent No.:** **US D872,047 S**

(45) **Date of Patent:** **\*\* Jan. 7, 2020**

(54) **HEADSET**

(71) Applicant: **Yiren Luo**, Shantou (CN)

(72) Inventor: **Yiren Luo**, Shantou (CN)

(\*\*) Term: **15 Years**

(21) Appl. No.: **29/622,061**

(22) Filed: **Oct. 13, 2017**

(30) **Foreign Application Priority Data**

Sep. 11, 2017 (EM) ..... 004260008

(51) **LOC (12) Cl.** ..... **14-01**

(52) **U.S. Cl.**  
USPC ..... **D14/205**

(58) **Field of Classification Search**  
USPC ..... D14/205, 188, 192; D29/112, 122;  
181/129, 130, 135; 379/430, 431;  
381/380, 381, 374, 74; 455/90.3, 575.1,  
455/569.1; 2/209  
CPC .... H04R 1/1066; H04R 1/1016; H04R 5/033;  
H04R 5/0335; H04R 25/00  
See application file for complete search history.

(56) **References Cited**

**U.S. PATENT DOCUMENTS**

- D155,349 S \* 9/1949 Lear ..... D8/309
- D244,037 S \* 4/1977 Warner ..... D14/205
- D246,242 S \* 11/1977 Bellini ..... D14/205
- D246,259 S \* 11/1977 Nishimura ..... D14/205
- D333,137 S \* 2/1993 Burke ..... D14/206
- 5,887,286 A \* 3/1999 Waldron ..... A61F 11/14  
181/129
- D444,140 S \* 6/2001 Ishibashi ..... D14/192
- D484,485 S \* 12/2003 Matsuoka ..... D14/205
- D534,156 S \* 12/2006 Obata ..... D14/205
- D634,732 S \* 3/2011 Kondo ..... D14/205

- D641,725 S \* 7/2011 Chong ..... D14/205
- 8,006,320 B1 \* 8/2011 Rohbani ..... A61F 11/14  
128/866
- D662,080 S \* 6/2012 Carr ..... D14/205
- D664,118 S \* 7/2012 Tappeiner ..... D14/205
- D669,451 S \* 10/2012 Tappeiner ..... D14/205
- D683,329 S \* 5/2013 Hagelin ..... D14/205
- D688,649 S \* 8/2013 Combs ..... D14/205
- 8,620,007 B2 \* 12/2013 Lee ..... H03G 3/02  
381/104
- D706,744 S \* 6/2014 Yang ..... H04R 1/10  
D14/205
- D719,136 S \* 12/2014 Schaal ..... D14/205
- D724,561 S \* 3/2015 Ko ..... D14/205
- D729,196 S \* 5/2015 Liu ..... D14/205
- D737,799 S \* 9/2015 Carr ..... D14/205
- D741,289 S \* 10/2015 Schaal ..... D14/205
- D768,111 S \* 10/2016 Nam ..... D14/205
- D794,602 S \* 8/2017 Riggs ..... D14/205
- D811,362 S \* 2/2018 Petersen ..... D14/205
- D829,686 S \* 10/2018 Davi ..... D14/205
- D830,334 S \* 10/2018 Carr ..... D14/205

(Continued)

*Primary Examiner* — Paula Allen Greene

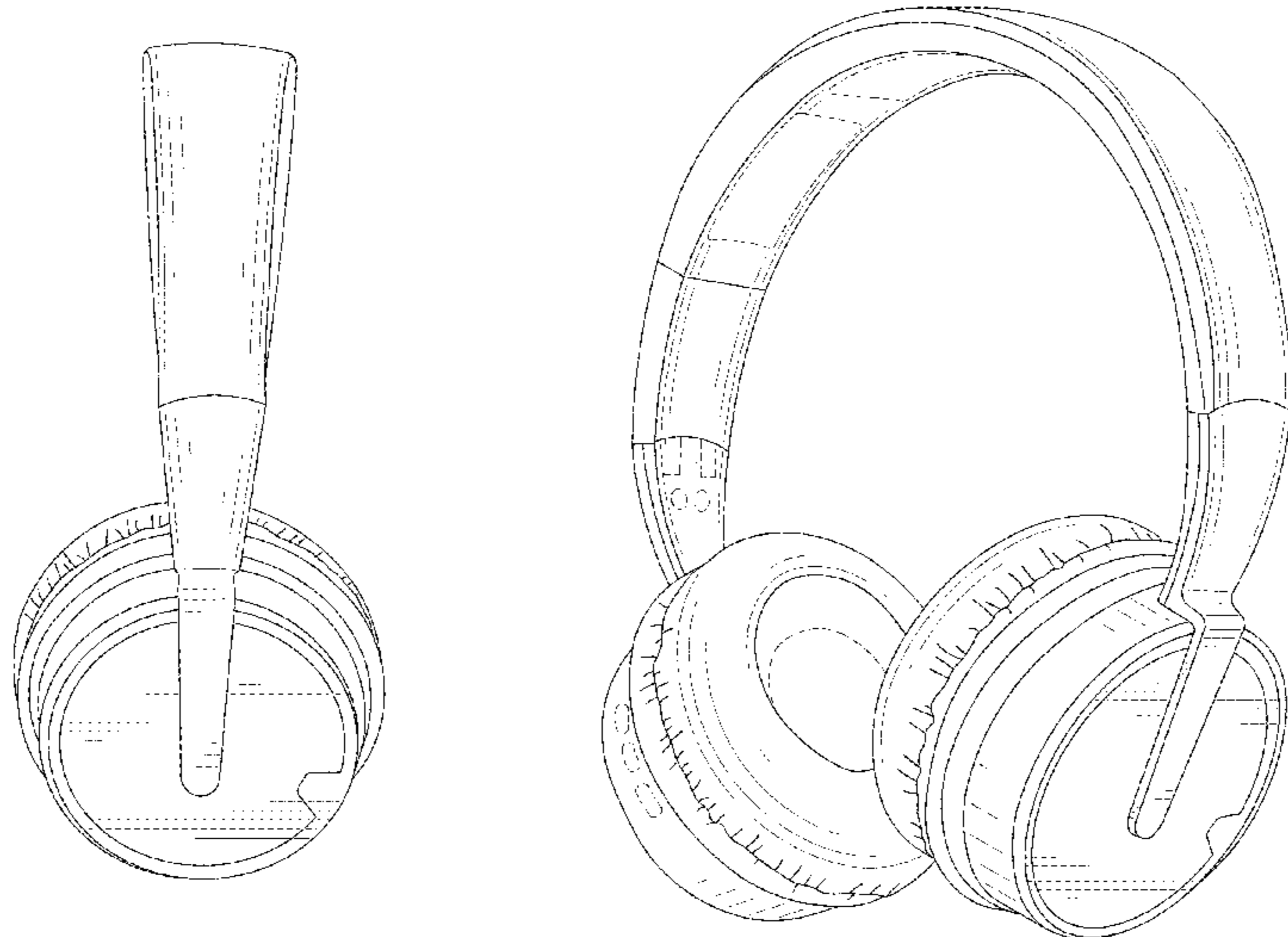
(57) **CLAIM**

The ornamental design for headset, as shown and described.

**DESCRIPTION**

FIG. 1 is a front elevation view of a headset showing my new design;  
 FIG. 2 is a rear elevation view thereof;  
 FIG. 3 is a left side elevation view thereof;  
 FIG. 4 is a right side elevation view thereof;  
 FIG. 5 is a top plan view thereof;  
 FIG. 6 is a bottom plan view thereof; and,  
 FIG. 7 is a perspective view thereof.  
 The broken lines depict environment that form no part of the claimed design.

**1 Claim, 7 Drawing Sheets**



(56)

**References Cited**

U.S. PATENT DOCUMENTS

2013/0087404 A1\* 4/2013 Peskar ..... G10K 11/168  
181/129

\* cited by examiner

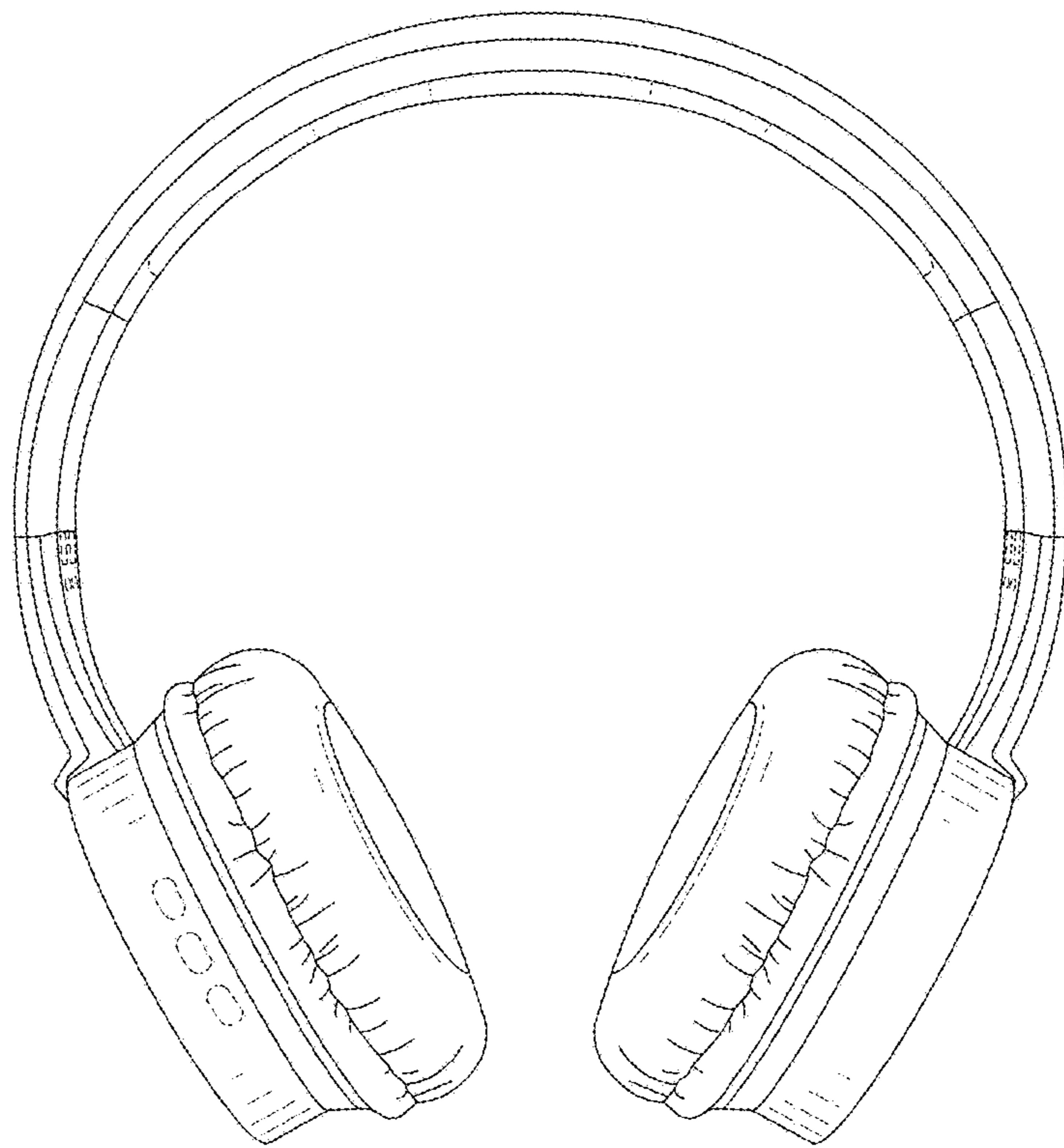


FIG. 1

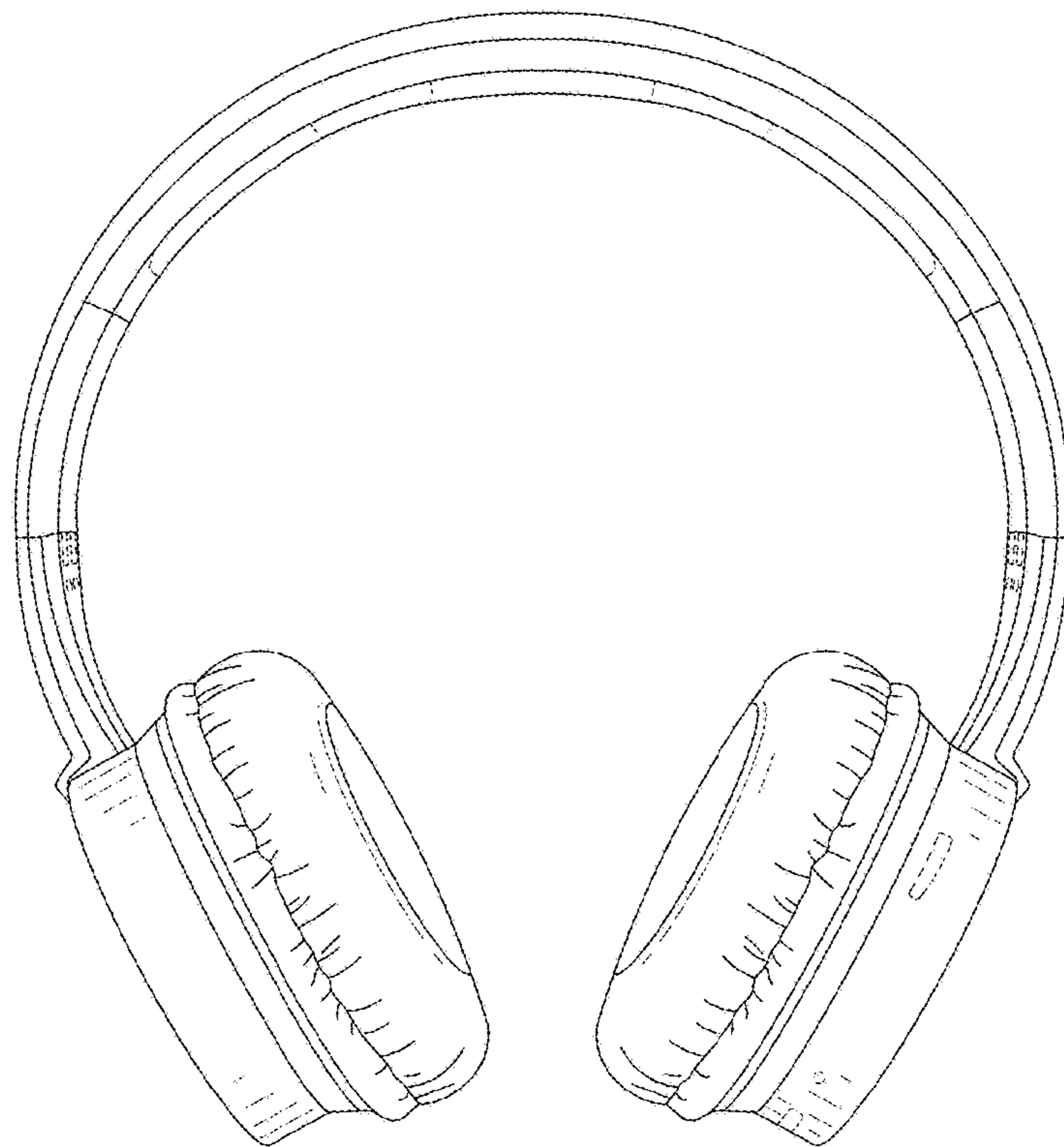


FIG. 2

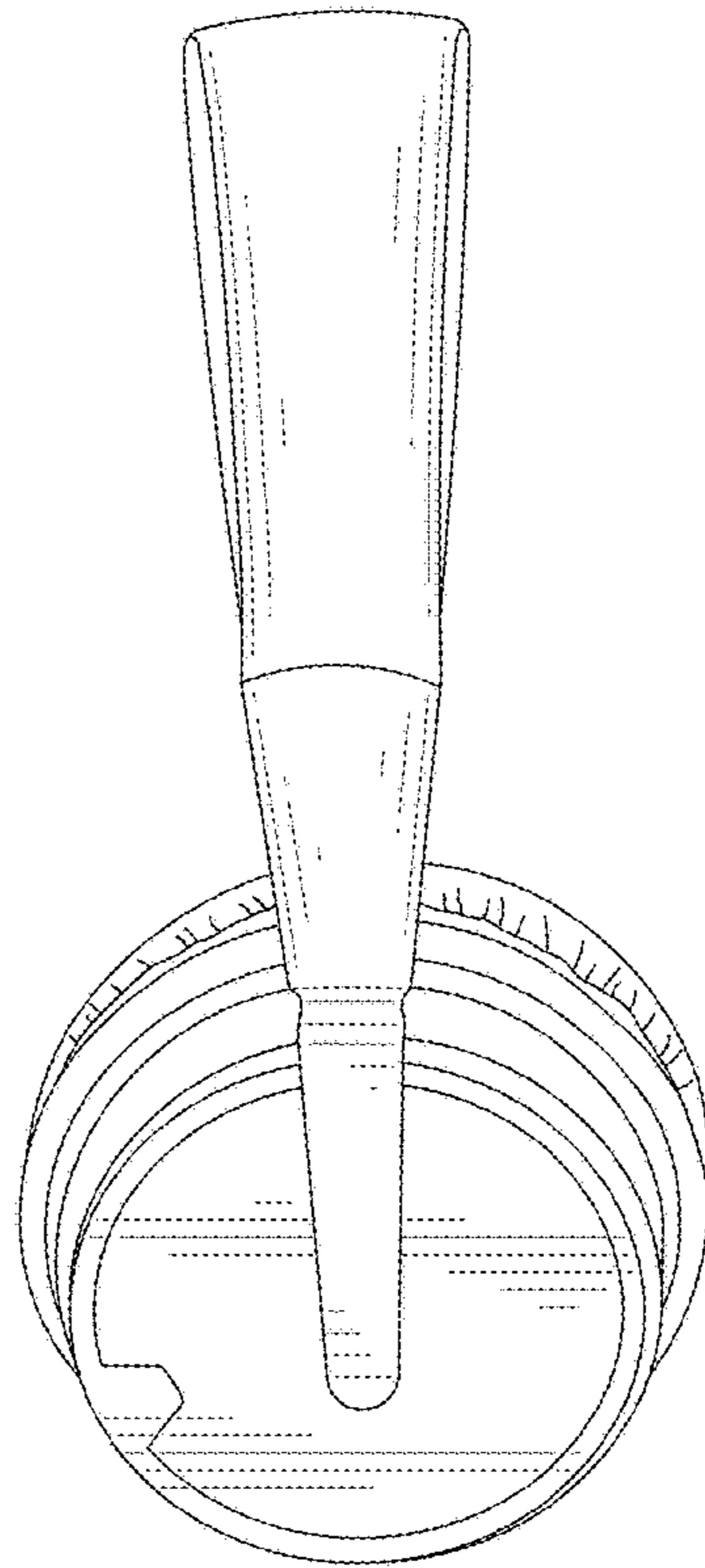


FIG. 3

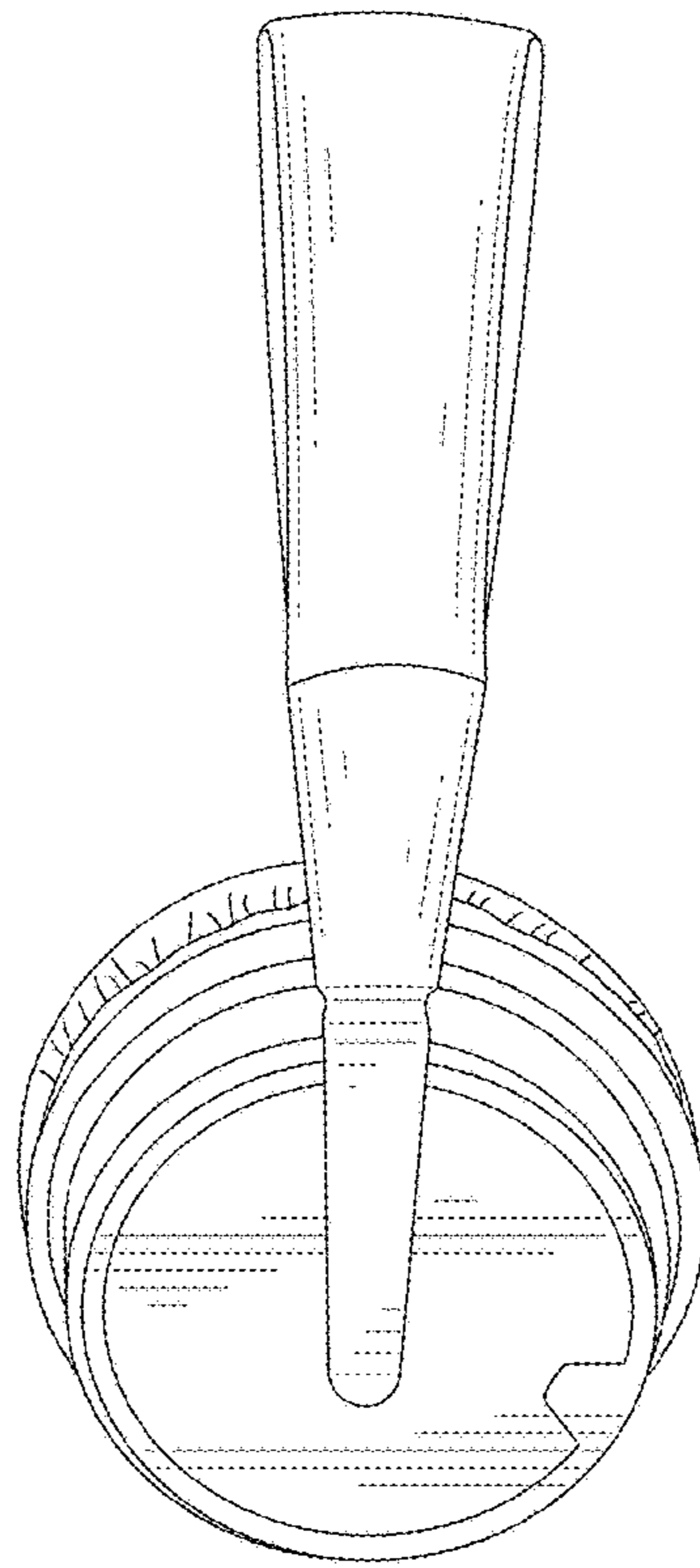


FIG. 4

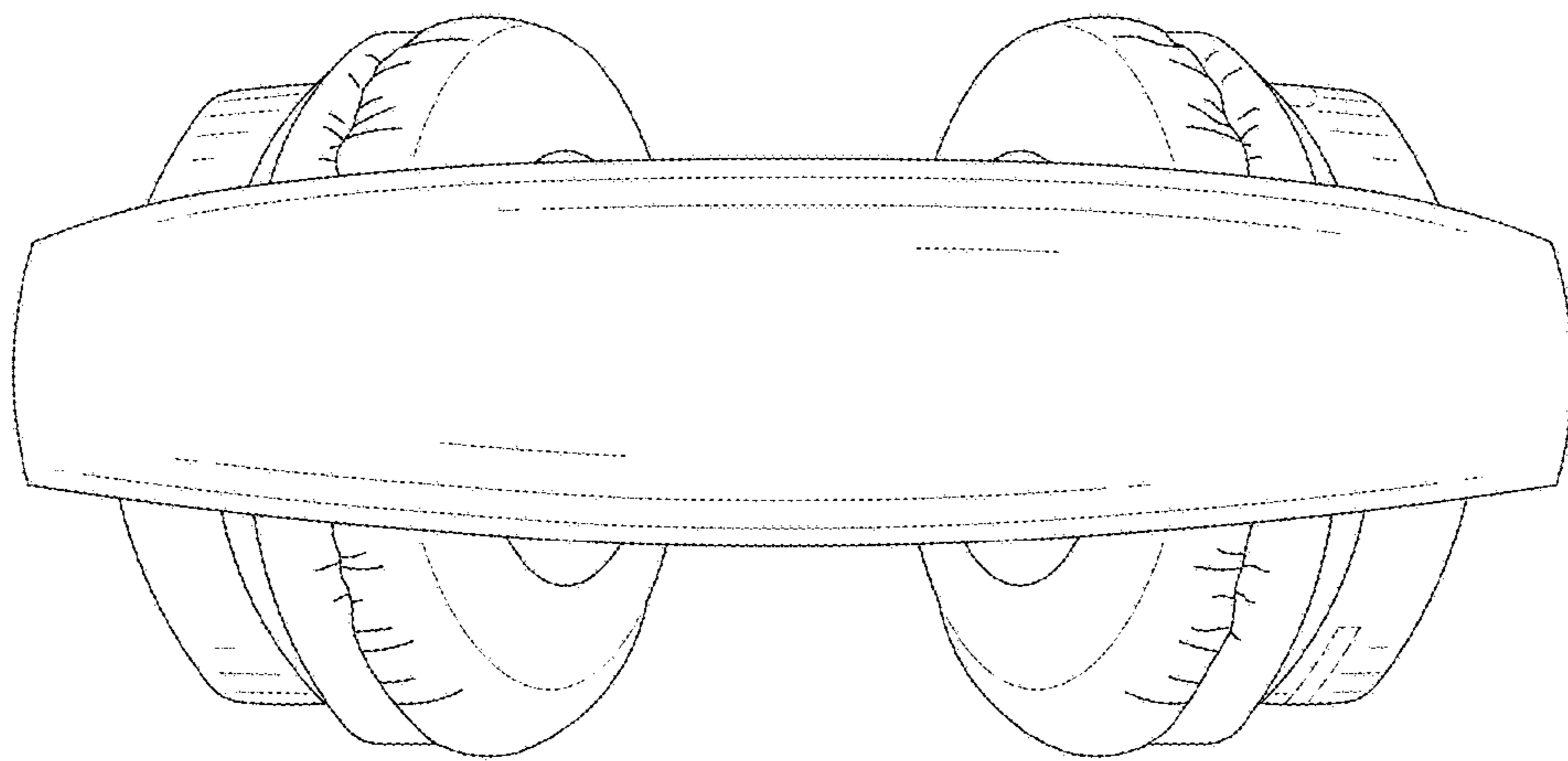


FIG. 5

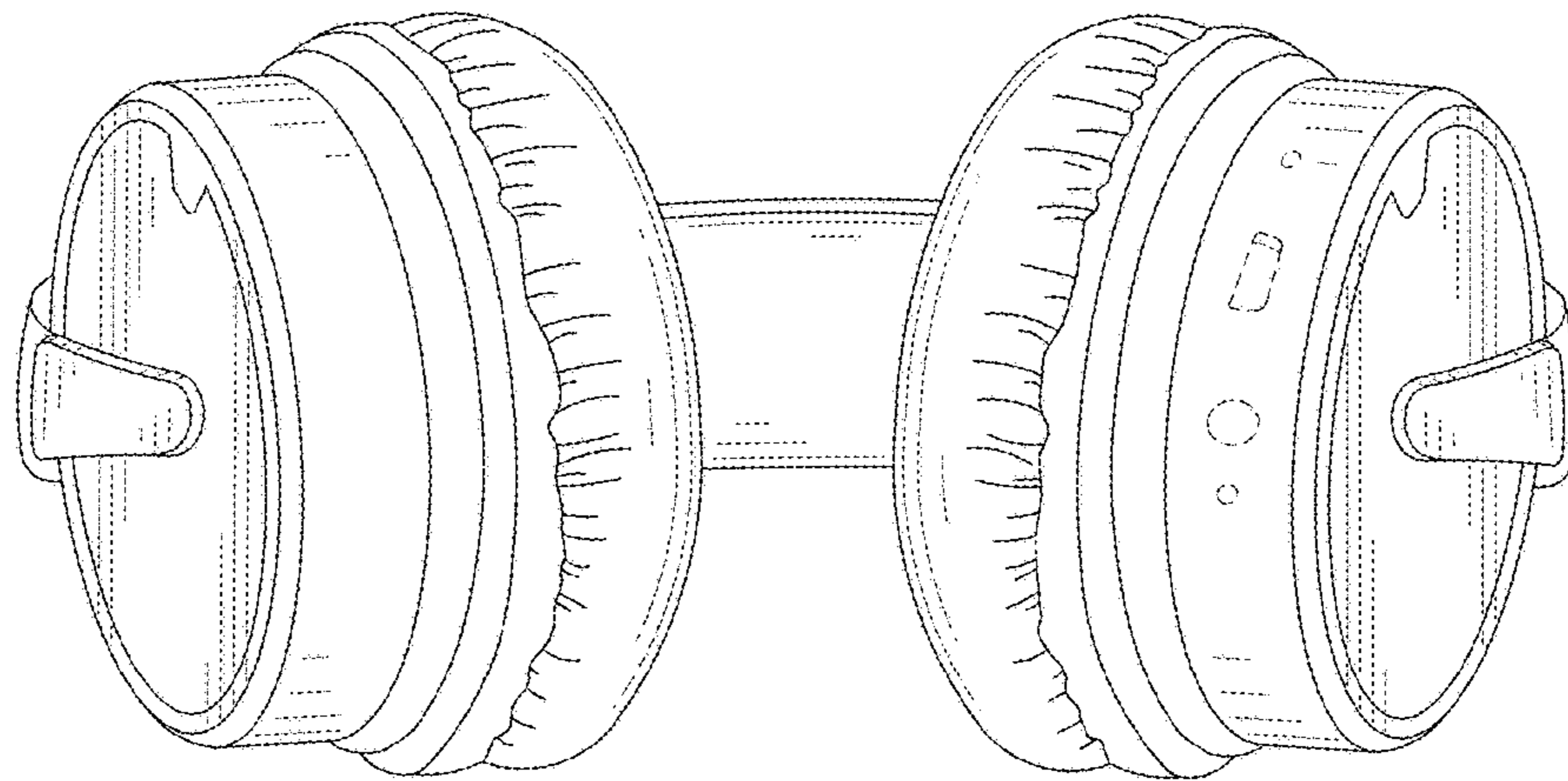


FIG. 6



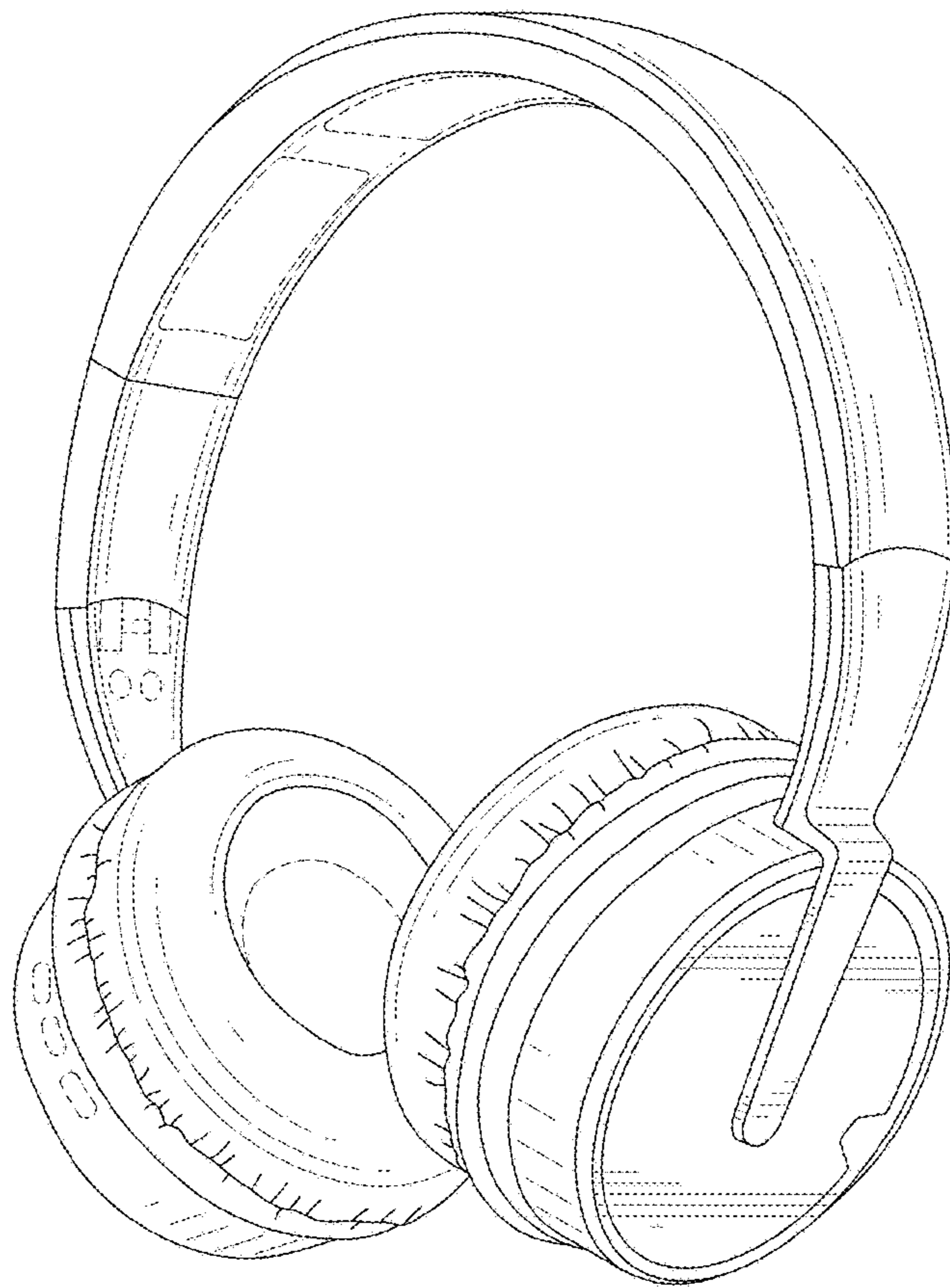


FIG. 7