



US00D872046S

(12) **United States Design Patent**  
**Cibert et al.**

(10) **Patent No.:** **US D872,046 S**

(45) **Date of Patent:** **\*\* Jan. 7, 2020**

(54) **SPEAKER**

(71) Applicant: **DEVIALET**, Paris (FR)

(72) Inventors: **Grégory Cibert**, Saint Ouen (FR);  
**Charles Garbani**, Paris (FR); **Nicolas Régentête**, Myrha (FR); **Fabien Gerlier**, Paris (FR); **Emmanuel Nardin**, Paris (FR)

(73) Assignee: **DEVIALET**, Paris (FR)

(\*\*) Term: **15 Years**

(21) Appl. No.: **29/664,991**

(22) Filed: **Sep. 28, 2018**

(30) **Foreign Application Priority Data**

Mar. 28, 2018 (EM) ..... 005135498

(51) **LOC (12) Cl.** ..... **14-01**

(52) **U.S. Cl.**  
USPC ..... **D14/204**

(58) **Field of Classification Search**  
USPC ..... D14/204, 496  
CPC ..... H04K 5/0086; H04R 1/02; H04R 1/021;  
H04R 1/026; H04R 1/028; H04R 1/403;  
H04R 1/2803; H04R 5/02; H04R 9/06;  
H04R 9/13; H04R 2201/021; H04R  
2400/00; H04R 2499/11  
See application file for complete search history.

(56) **References Cited**

**U.S. PATENT DOCUMENTS**

D692,860 S \* 11/2013 Paterson ..... D14/214  
D756,817 S \* 5/2016 Fries ..... D10/78  
D760,683 S \* 7/2016 Larsen ..... D14/204  
D794,028 S \* 8/2017 Lin ..... D14/433  
D800,730 S \* 10/2017 Liao ..... D14/433

D813,875 S \* 3/2018 Liao ..... D14/434  
D814,471 S \* 4/2018 Kim ..... D14/433  
D815,639 S \* 4/2018 Lau ..... D14/433  
D820,264 S \* 6/2018 Lai ..... D14/433  
D828,839 S \* 9/2018 Zhang ..... D14/433  
D833,416 S \* 11/2018 Hu ..... D14/204  
D839,876 S \* 2/2019 Turksu ..... D14/435.1  
D841,007 S \* 2/2019 Xie ..... D14/433  
D843,966 S \* 3/2019 Cheney ..... D14/204  
D845,925 S \* 4/2019 Bellinghausen ..... D14/204  
D847,139 S \* 4/2019 Wang ..... D14/433  
D848,971 S \* 5/2019 Wang ..... D14/204  
D848,975 S \* 5/2019 Kong ..... D14/215  
D851,067 S \* 6/2019 McManigal  
D852,773 S \* 7/2019 McManigal ..... D14/204  
D852,774 S \* 7/2019 Sugiura ..... D14/204  
D854,509 S \* 7/2019 Wu ..... D14/168  
D855,054 S \* 7/2019 Turksu ..... D14/433  
D856,278 S \* 8/2019 Turksu ..... D13/108  
D862,385 S \* 10/2019 Turksu ..... D13/108  
D862,409 S \* 10/2019 Lee ..... D14/204

(Continued)

*Primary Examiner* — Cynthia R Underwood

(74) *Attorney, Agent, or Firm* — Stephen J. Weyer, Esq.;  
Stites & Harbison, PLLC

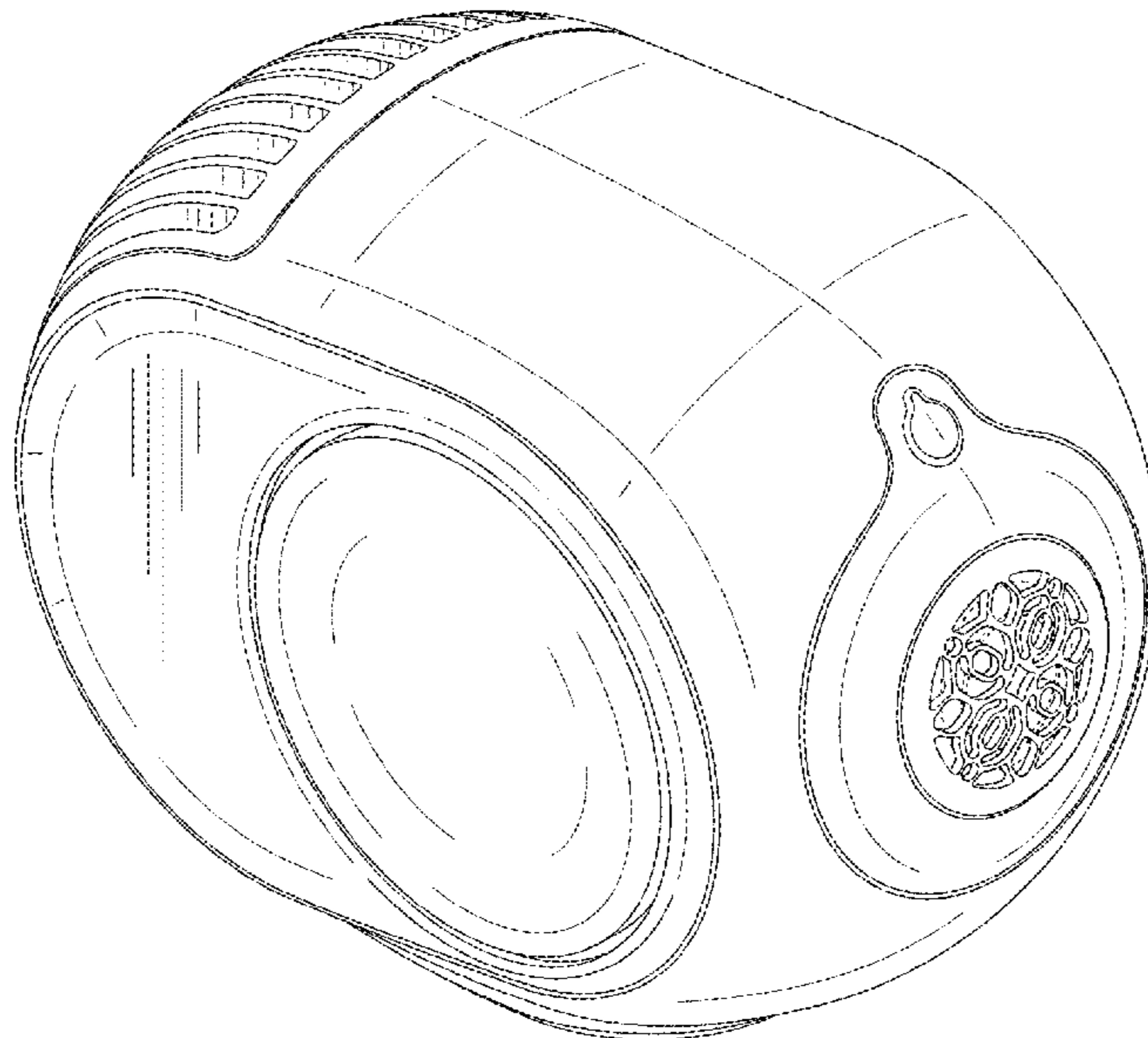
(57) **CLAIM**

The ornamental design for a speaker, as shown and described.

**DESCRIPTION**

FIG. 1 is a top, front, and left side perspective view of the speaker of our present design.  
FIG. 2 is a front elevation view thereof.  
FIG. 3 is a rear elevation view thereof.  
FIG. 4 is a left side elevation thereof.  
FIG. 5 is right side elevation thereof.  
FIG. 6 is a top plan view thereof; and,  
FIG. 7 is bottom plan view thereof.  
The broken lines represent portions of the structure that form no part of the claim.

**1 Claim, 7 Drawing Sheets**



(56)

**References Cited**

U.S. PATENT DOCUMENTS

D862,473 S \* 10/2019 Liu ..... D14/433  
D862,474 S \* 10/2019 Liu ..... D14/433

\* cited by examiner

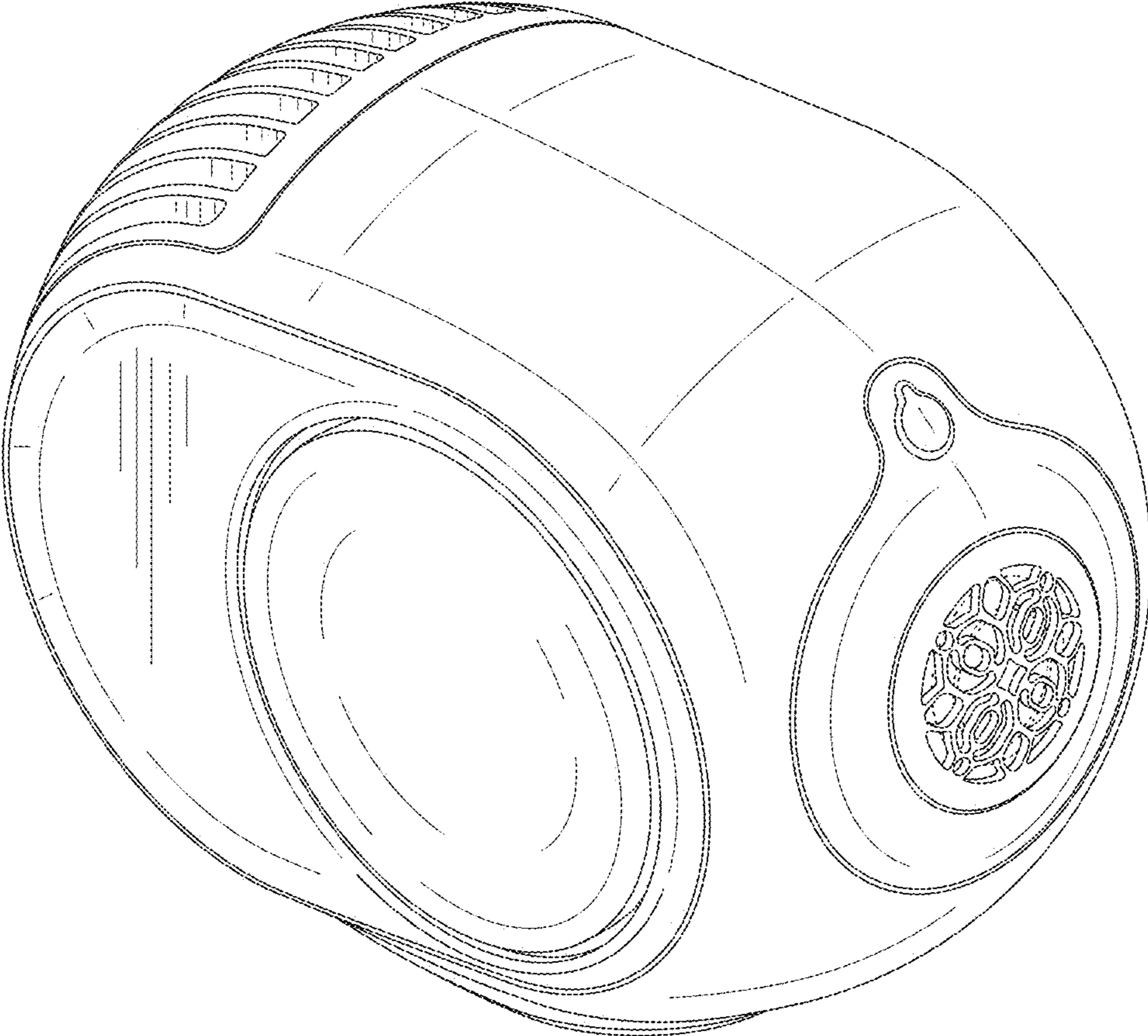
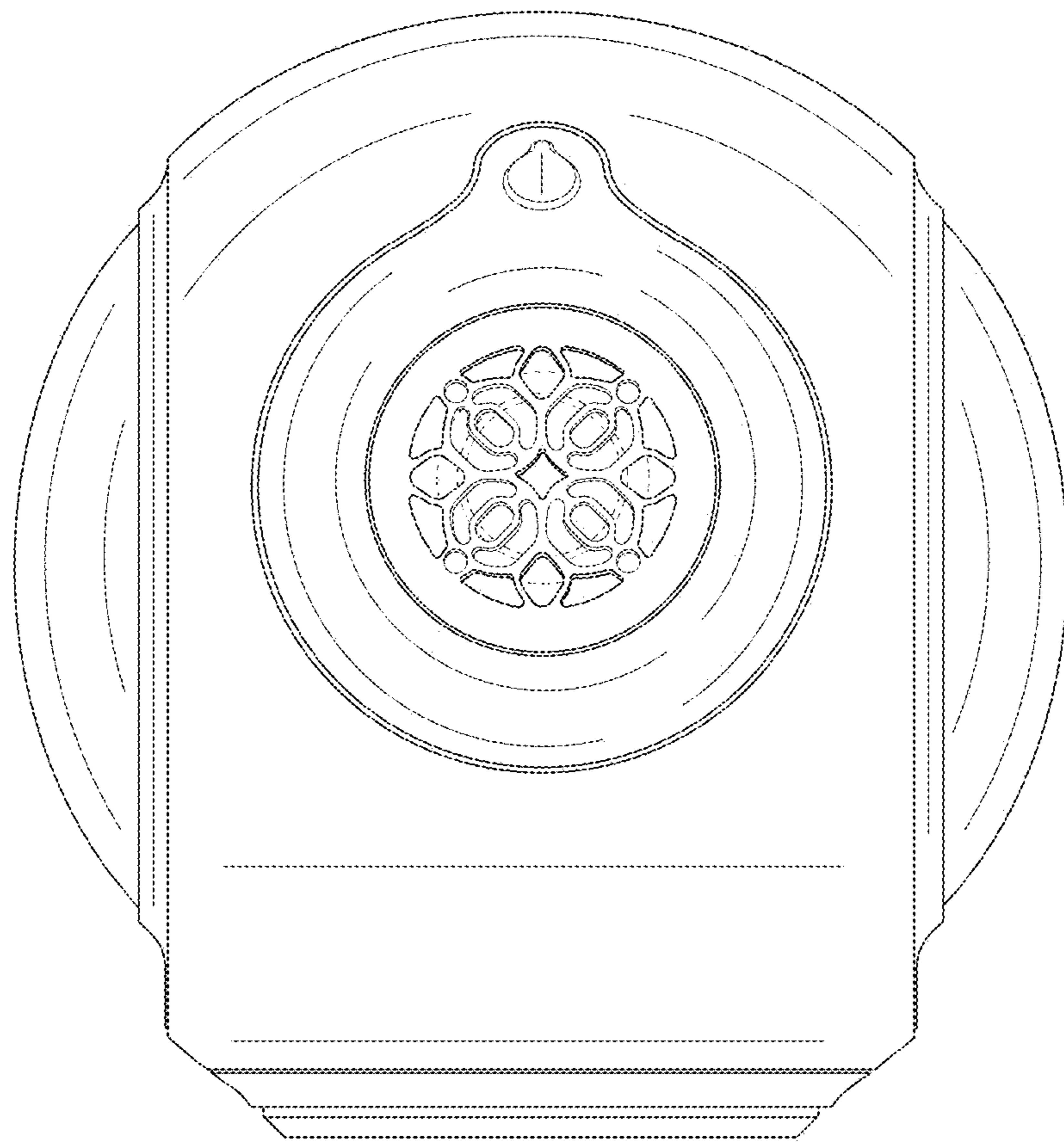
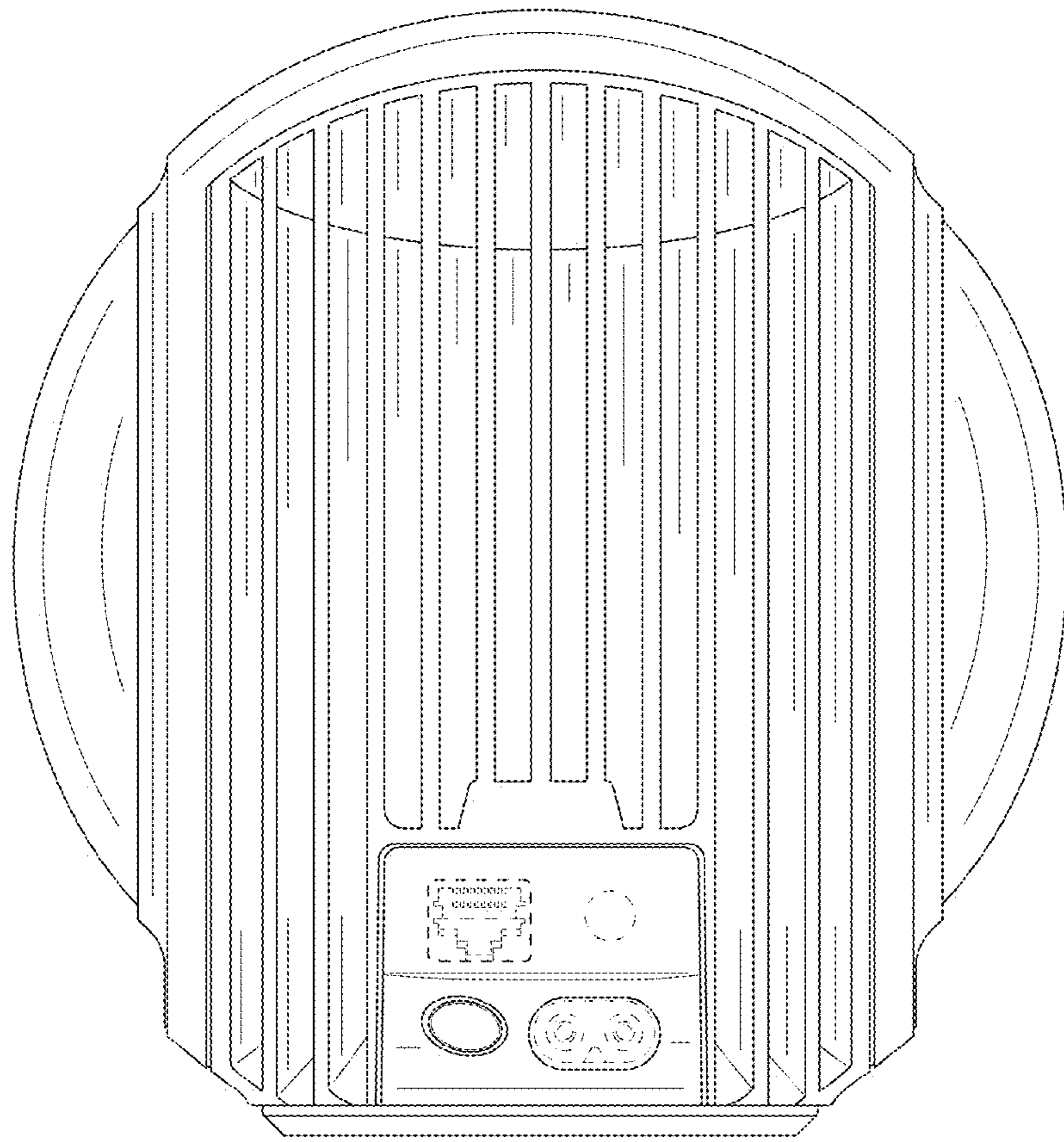


Fig. 1



*Fig. 2*



*Fig. 3*

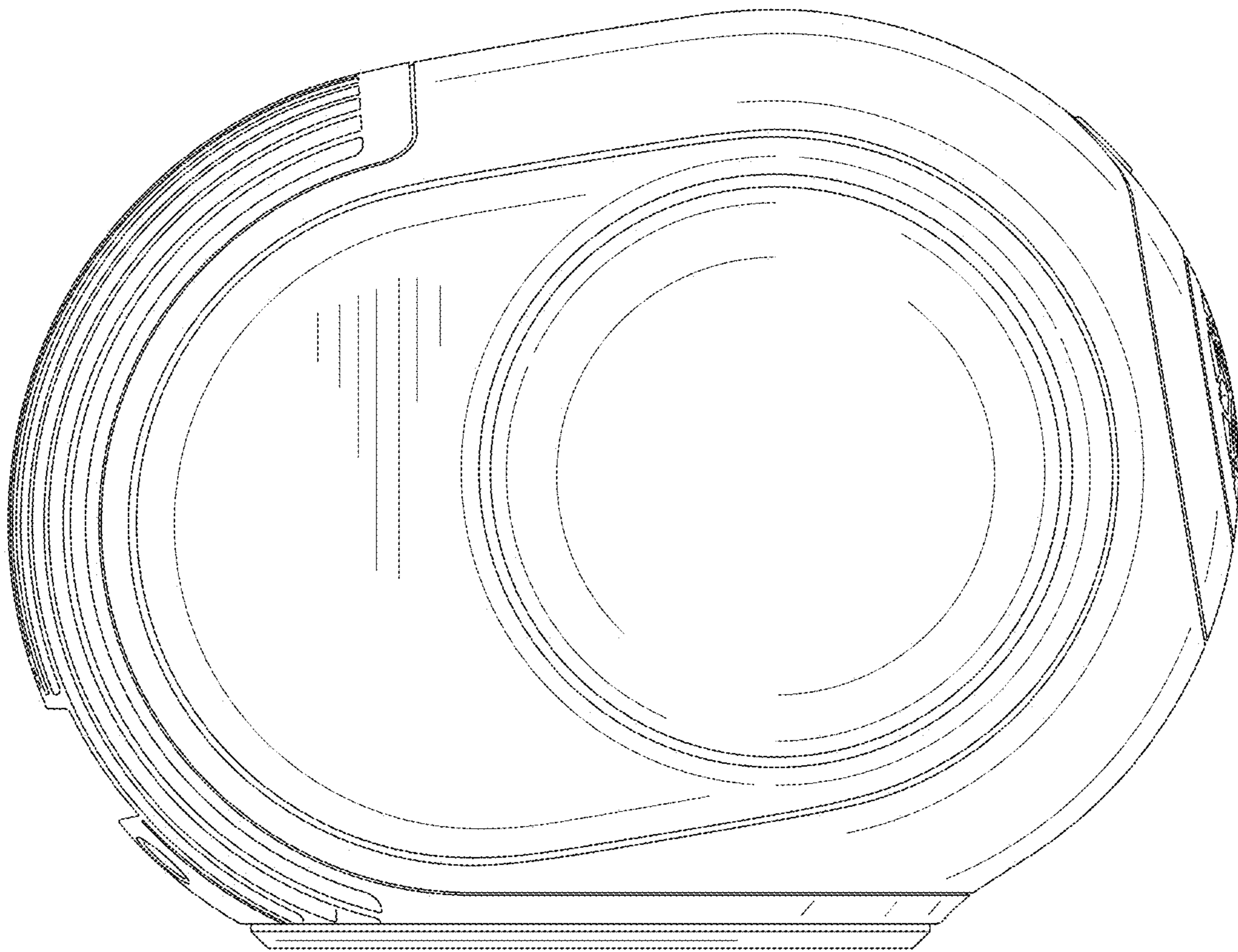
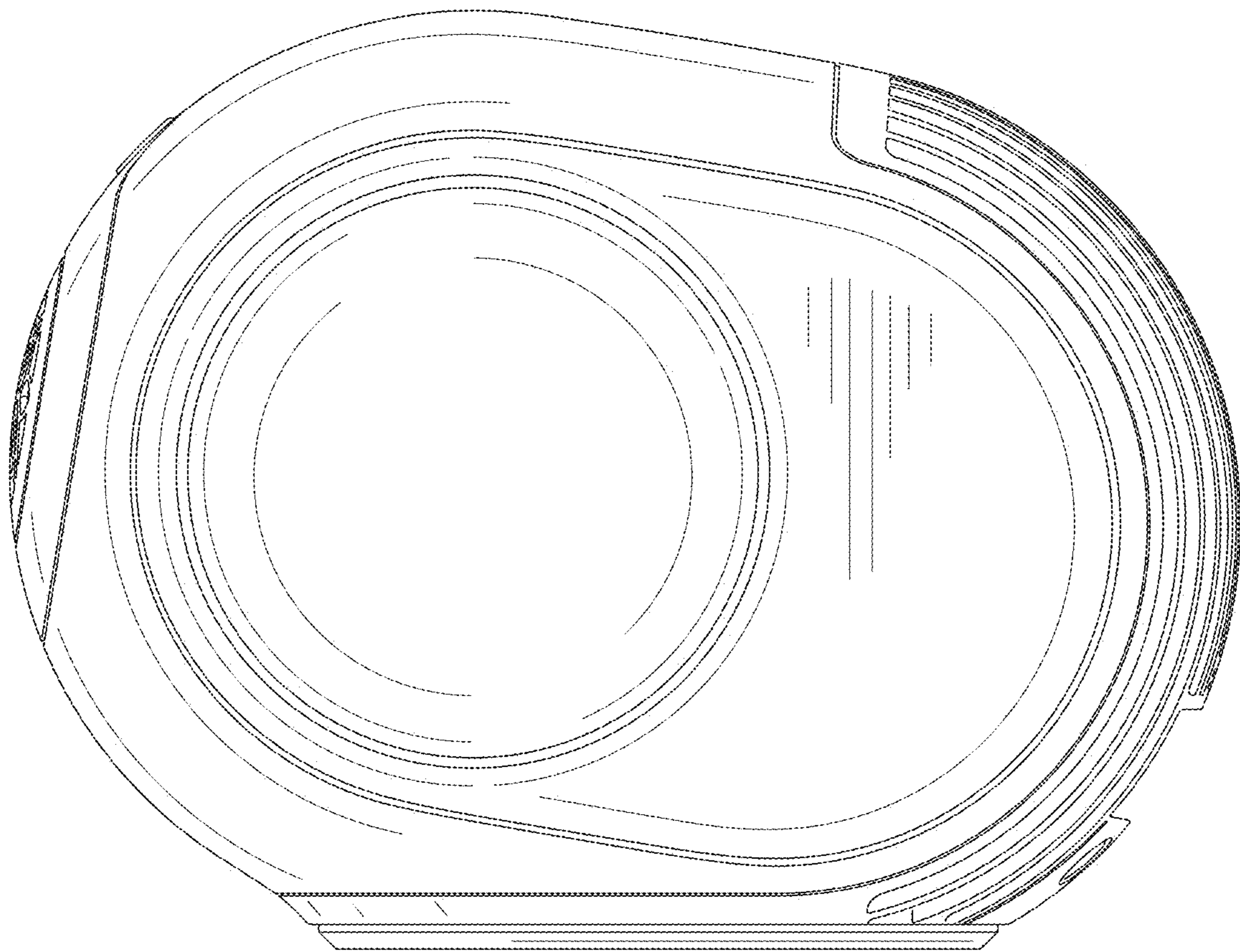
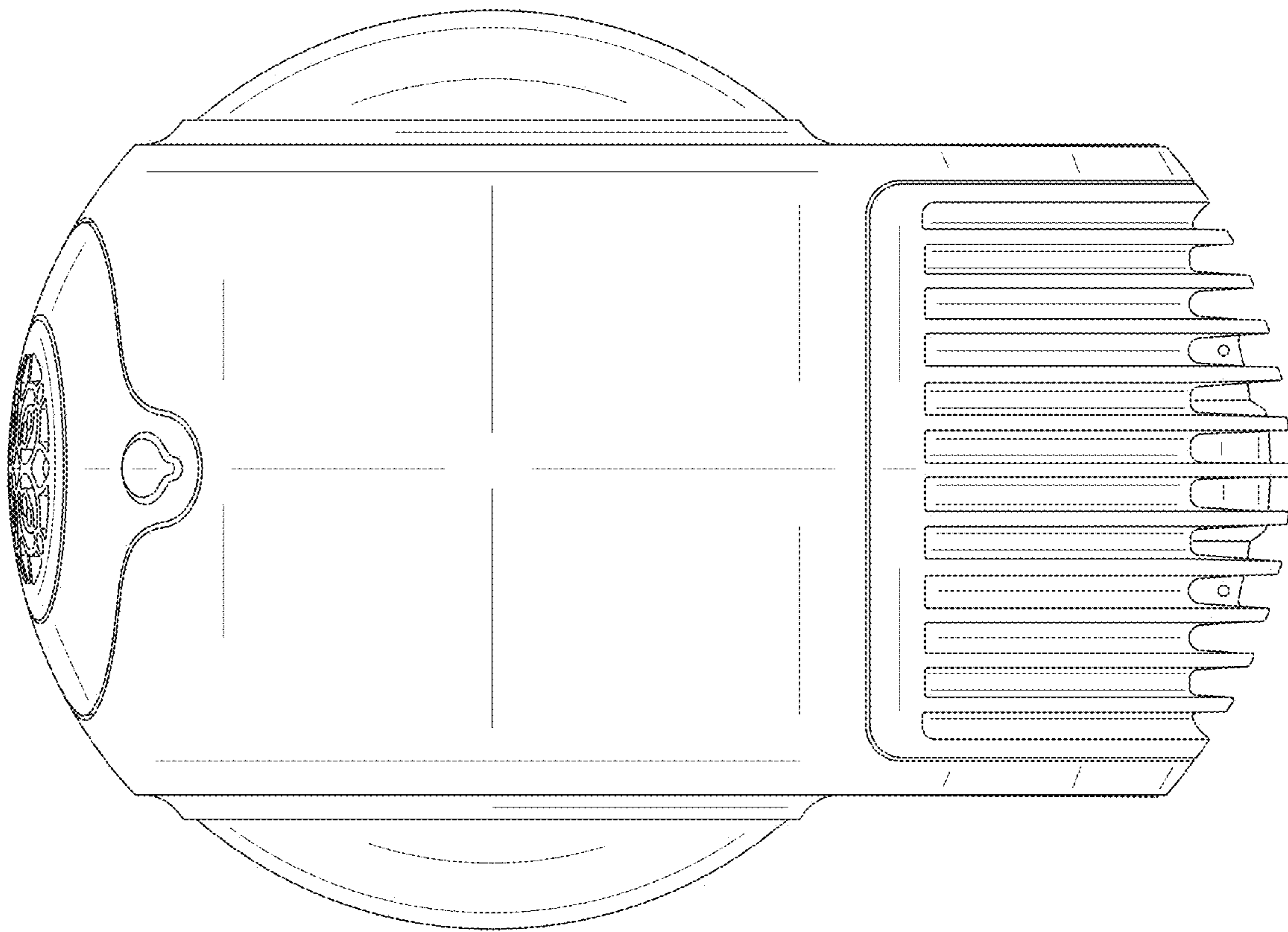


FIG. 4



*Fig. 5*



*Fig. 6*



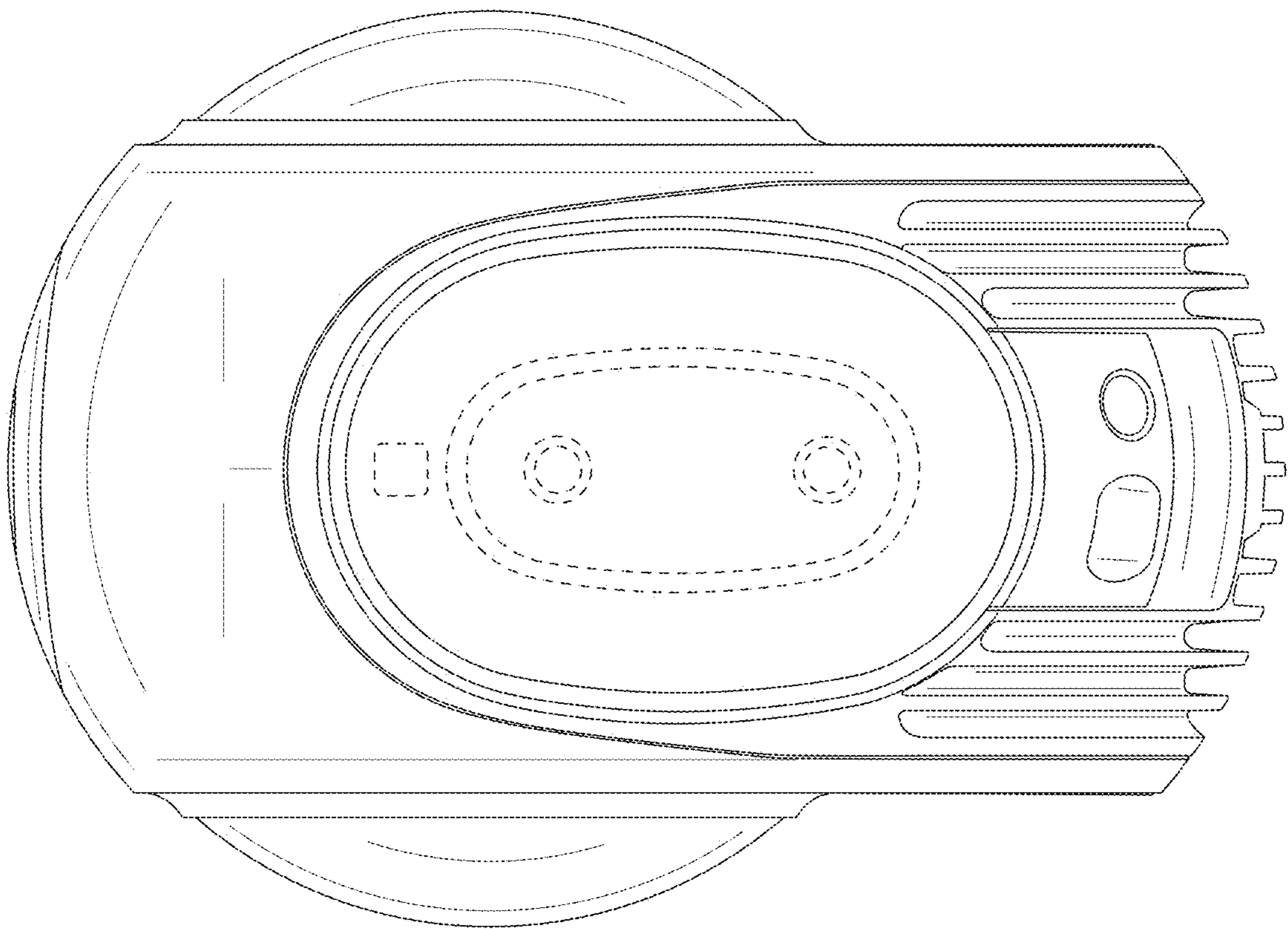


Fig. 7