

US00D872038S

(12) **United States Design Patent**
Pan et al.

(10) **Patent No.:** **US D872,038 S**
(45) **Date of Patent:** **** Jan. 7, 2020**

(54) **LED CHIPS ON A PRINTED CIRCUIT BOARD**

(71) Applicants: **Haining Xincheng Electronics Co., LTD.**, Haining (CN); **Pingli Wang**, Haining (CN)

(72) Inventors: **Jianxin Pan**, Haining (CN); **Lian Wu**, Haining (CN); **Hongbo Li**, Haining (CN)

(**) Term: **15 Years**

(21) Appl. No.: **29/656,952**

(22) Filed: **Jul. 18, 2018**

(51) **LOC (12) Cl.** **13-03**

(52) **U.S. Cl.**
USPC **D13/182**

(58) **Field of Classification Search**
USPC D13/180, 182; D26/1
CPC H01L 33/00; H01L 21/00; H01L 25/0753;
F21K 9/00

See application file for complete search history.

(56) **References Cited**

U.S. PATENT DOCUMENTS

D525,214 S *	7/2006	Ochi	D13/182
D528,672 S *	9/2006	Nagai	D26/1
D569,529 S *	5/2008	Uemoto	D26/1
D570,003 S *	5/2008	Uemoto	D26/1
D570,506 S *	6/2008	Uemoto	D26/1
D673,307 S *	12/2012	Moghal	D26/1

D690,444 S *	9/2013	Katoh	D13/180
D712,854 S *	9/2014	Nakano	D13/182
D770,991 S *	11/2016	Nakano	D13/182
2009/0206350 A1 *	8/2009	Wang	F21K 9/00 257/88
2009/0224265 A1 *	9/2009	Wang	F21K 9/00 257/88
2009/0261368 A1 *	10/2009	Wang	H05K 1/0274 257/98
2012/0009700 A1 *	1/2012	Wang	F21K 9/00 438/27
2015/0338041 A1 *	11/2015	Wimmer	F21S 9/024 362/20
2016/0276318 A1 *	9/2016	Chuang	H01L 25/0753
2017/0084586 A1 *	3/2017	Chen	H01L 25/0753

* cited by examiner

Primary Examiner — Selina Sikder

(74) *Attorney, Agent, or Firm* — Gokalp Bayramoglu

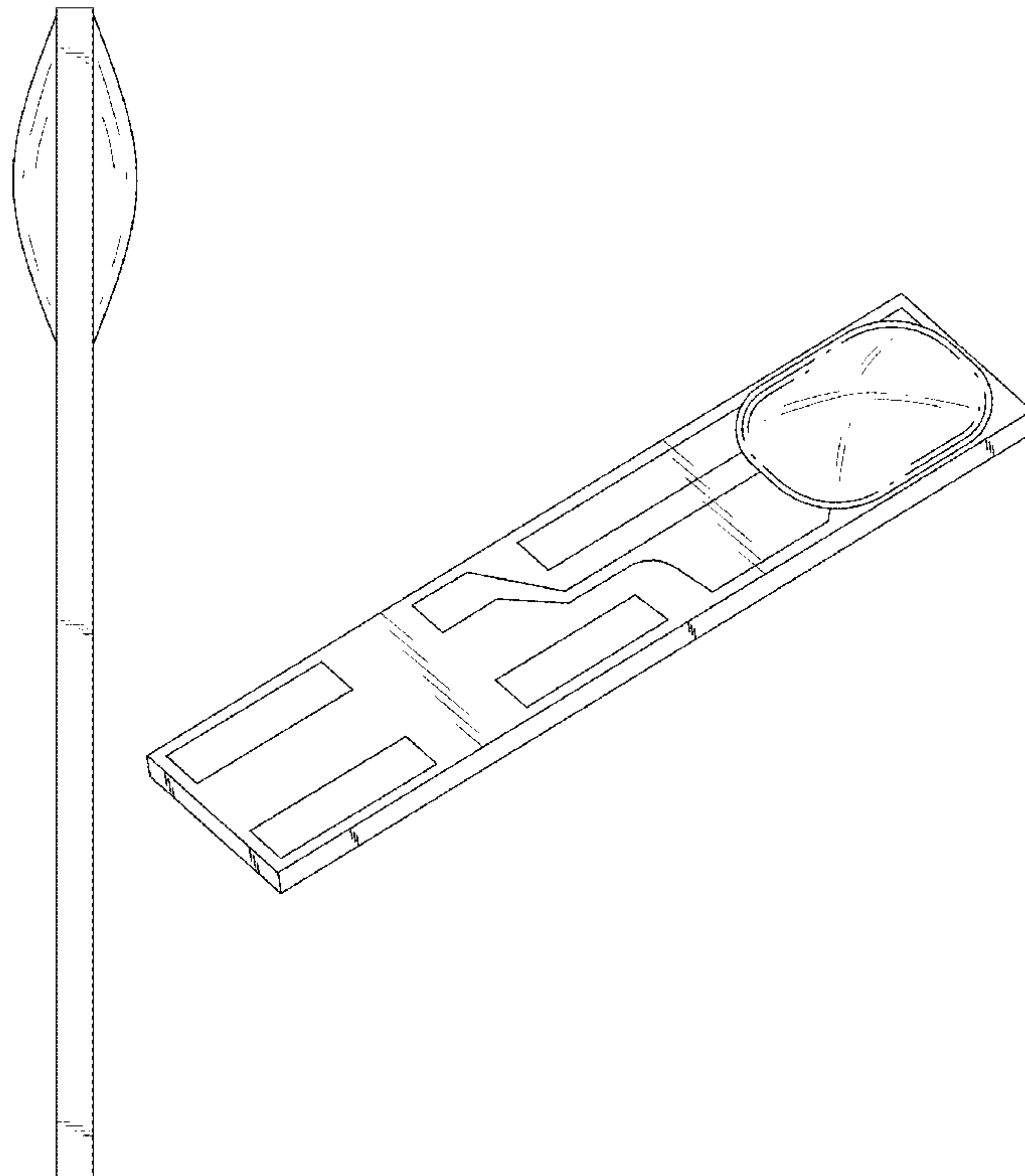
(57) **CLAIM**

The ornamental design for a LED chips on a printed circuit board, as shown and described.

DESCRIPTION

FIG. 1 is a front view of a LED chips on a printed circuit board showing the new design;
FIG. 2 is a rear view thereof;
FIG. 3 is a left side view thereof;
FIG. 4 is a right side view thereof;
FIG. 5 is a top view thereof;
FIG. 6 is a bottom view thereof; and,
FIG. 7 is a perspective view thereof.

1 Claim, 7 Drawing Sheets



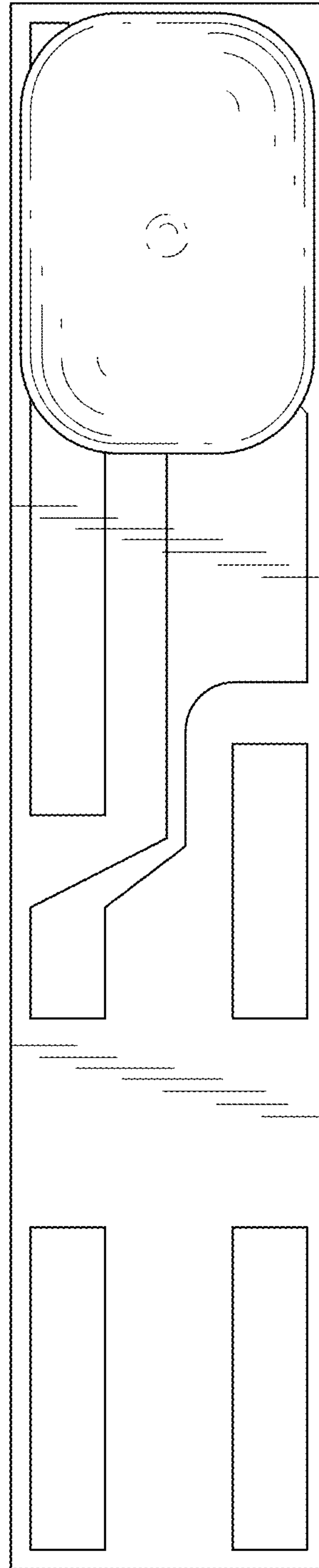


Fig. 1

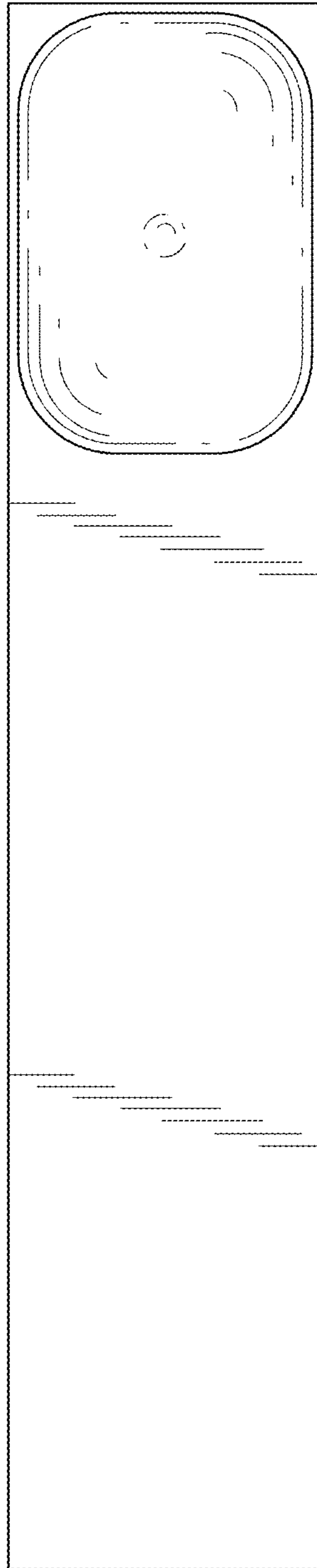


Fig. 2

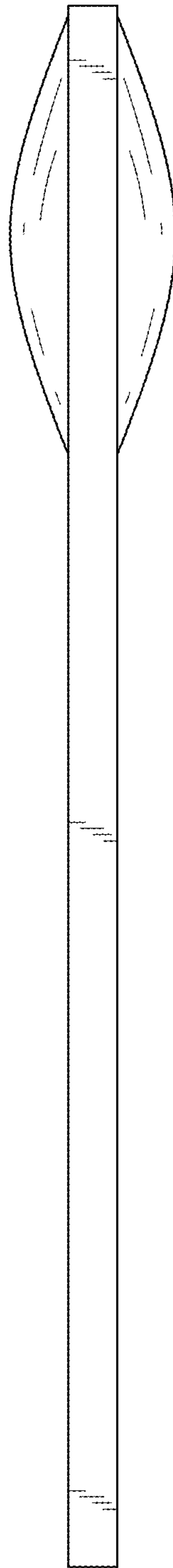


Fig. 3

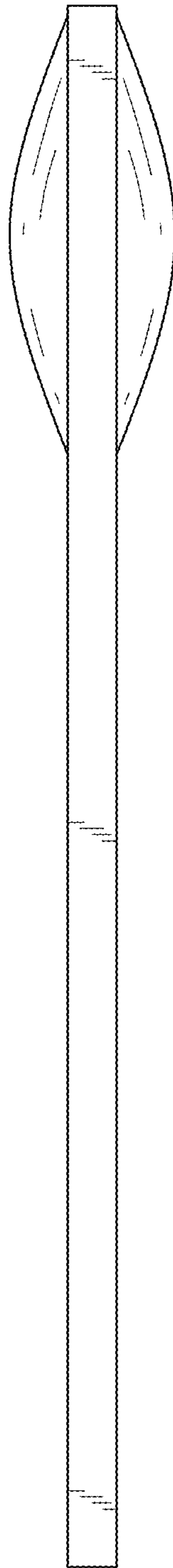


Fig. 4

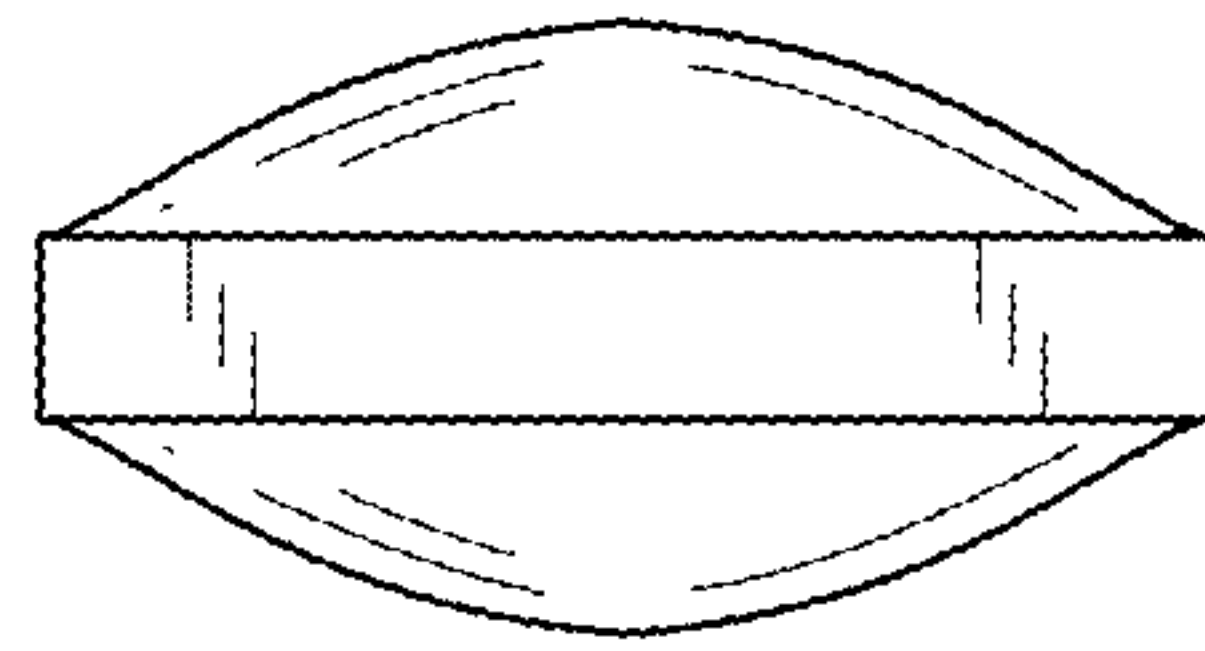


Fig. 5

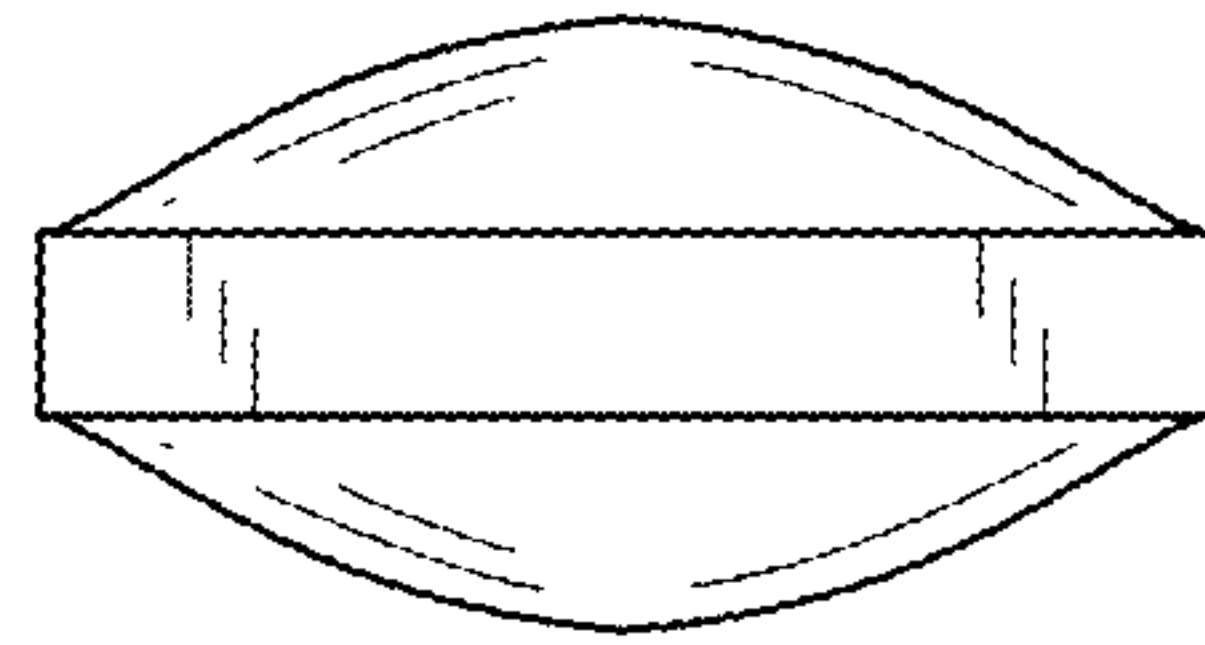


Fig. 6

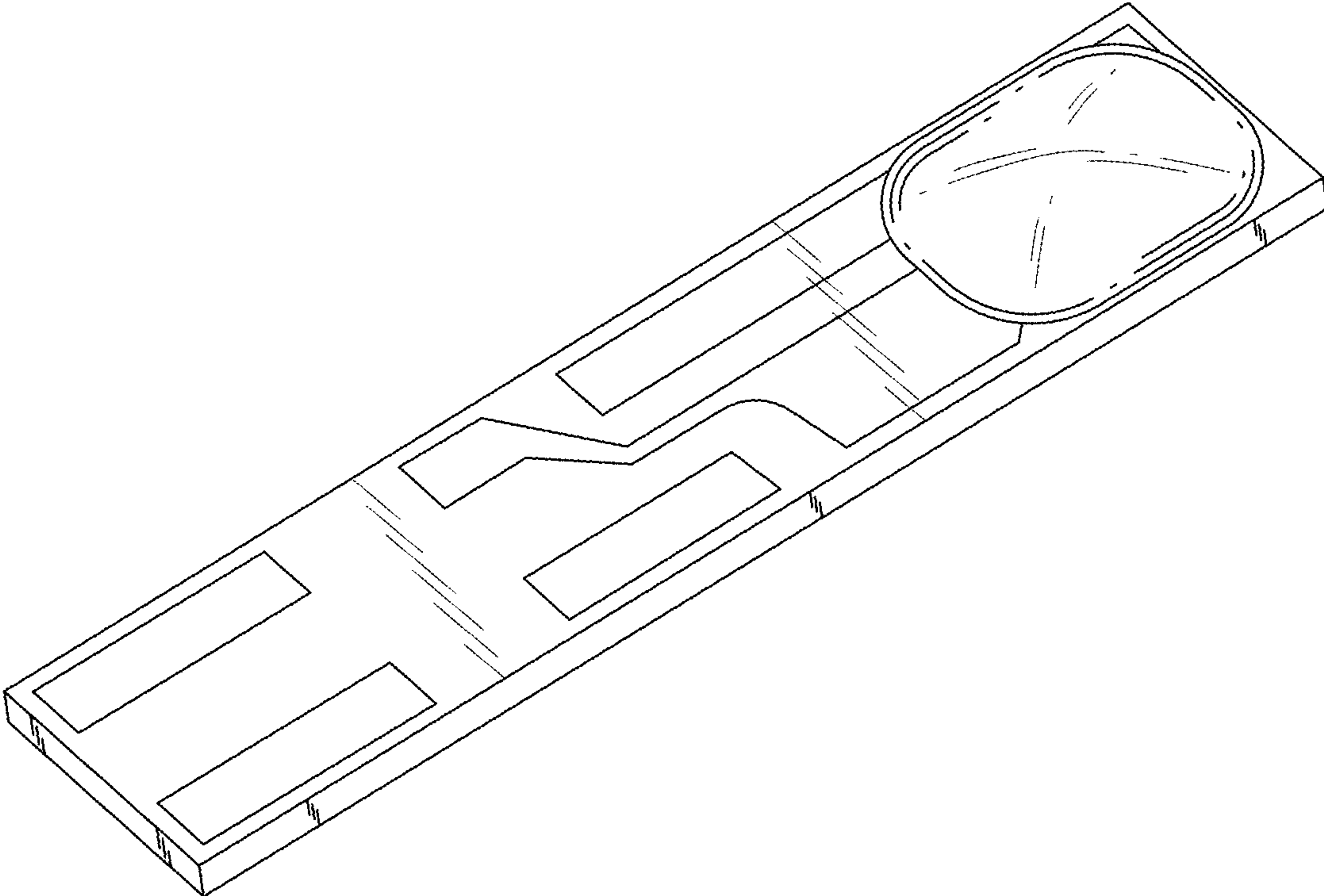


Fig. 7